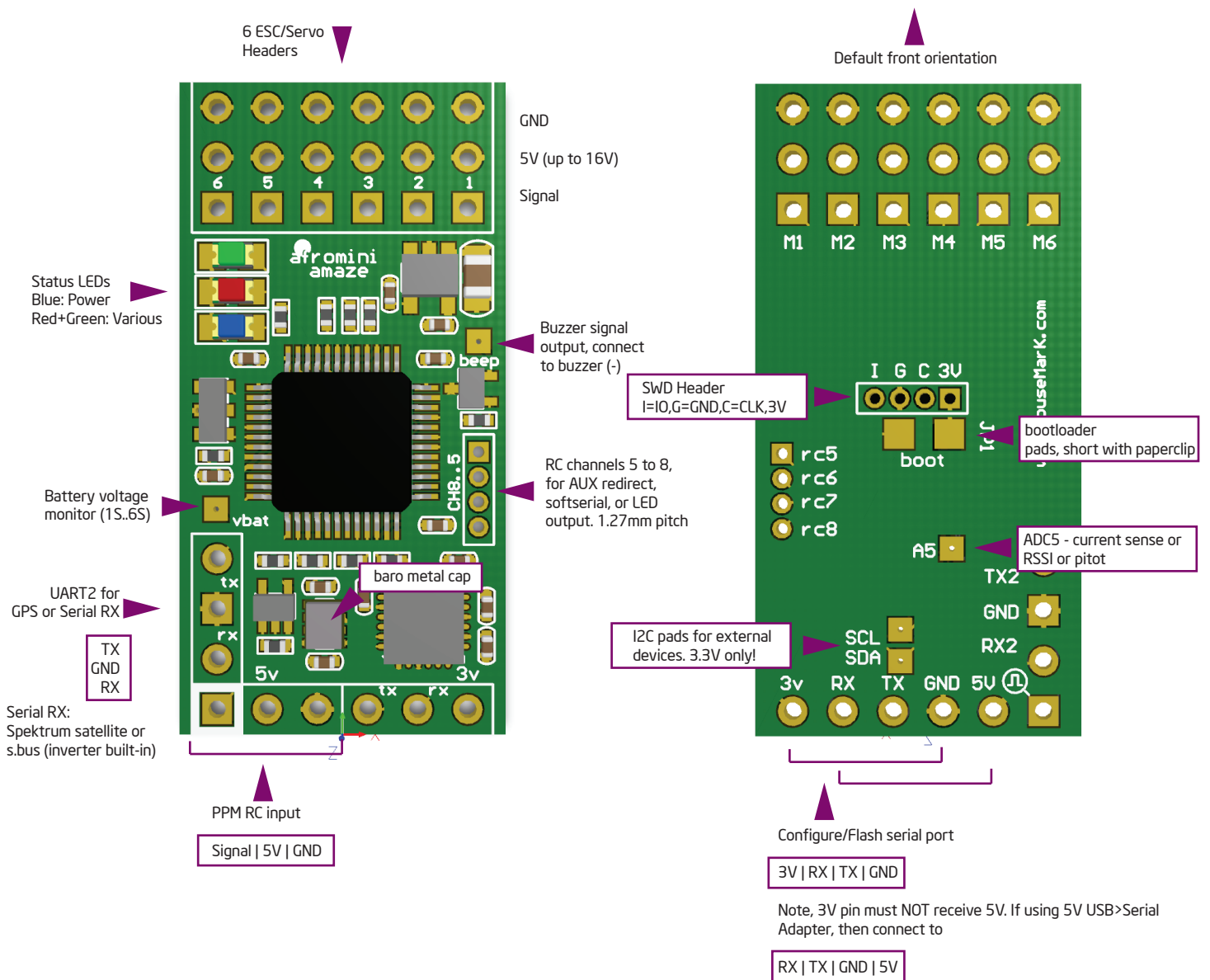


Afromini AMAZE (hw.rev3)



Board can be powered by ~3.3V up to 16V, when connected to pads marked "5V" or to the servo power pins. There is no 5V regulator, so high voltage will be passed to receiver as-is. 3V pad can be used to power Spektrum satellite or some other low-current 3.3V device up to ~100mA. To use buzzer, connect 5V to buzzer (+) pin, and connect the **beep** pad to buzzer (-) pin. To use battery voltage monitor, connect battery (+) to **vbat** pad. To make baro useful, cover it with some foam. When using Serial RX and choosing s.bus receiver, inverter will be enabled on **RX2** pad.

The rest of configuration is the same as for Naze32.

This hardware cannot be used with any DJI frames.

This includes: FlameWheel 330, 450, 550, or any future or past frames released by DJI.

Using this hardware with anything other than supplied "baseflight" firmware will immediately make the end user ineligible for any kind of support or warranty.

Designed May 2015 by AbuseMark