



KRAMER ELECTRONICS LTD.

# USER MANUAL

MODELS:

**640T**  
HDMI-Coax Transmitter

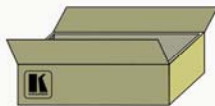
**640R**  
Coax-HDMI Receiver

## 640T/640R Quick Start Guide

This page guides you through a basic installation and first-time use of your **640T/640R**. For more detailed information, see the **640T/640R** User Manual. You can download the latest manual at <http://www.kramerelectronics.com>.

### Step 1: Check what's in the box

- 640T** or **640R** HDMI/Coax Transmitter/Receiver
- 1 Power supply (12V DC)
- 4 Rubber feet per unit
- 1 Quick Start sheet
- 1 User Manual



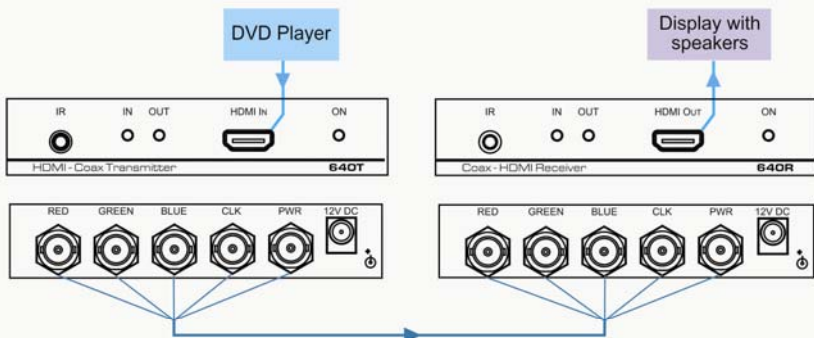
Save the original box and packaging in case your **640T/640R** needs to be returned to the factory for service.

### Step 2: Install the 640T/640R

Attach the rubber feet and place on a table or mount the machine in a rack (using an optional RK-3T rack mount).

### Step 3: Connect the inputs and outputs

Always switch off the power on each device before connecting it to your **640T/640R**.



Always use Kramer high-performance cables for connecting AV equipment to the **640T/640R**.

### Step 4: Connect the power

Connect the 12V DC power adapter to the **640T/640R** and plug the adapter into the mains electricity.



# Contents

<b>1</b>	<b>Introduction</b>	<b>1</b>
<b>2</b>	<b>Getting Started</b>	<b>2</b>
2.1	Achieving the Best Performance	2
<b>3</b>	<b>Overview</b>	<b>3</b>
3.1	640T HDMI-Coax Transmitter	3
3.2	640R Coax-HDMI Receiver	3
<b>4</b>	<b>Your 640T/640R HDMI/Coax Transmitter/Receiver</b>	<b>5</b>
4.1	Your 640T HDMI-Coax Transmitter	5
4.2	Your 640R Coax-HDMI Receiver	6
<b>5</b>	<b>Connecting the 640T/640R</b>	<b>7</b>
<b>6</b>	<b>Technical Specifications</b>	<b>9</b>

## Figures

Figure 1: 640T/640R HDMI/Coax Transmitter/Receiver	5
Figure 2: 640R Coax-HDMI Receiver	6
Figure 3: HDMI-to-Coax Transmitter and Receiver System	8

---

# 1 Introduction

Welcome to Kramer Electronics! Since 1981, Kramer Electronics has been providing a world of unique, creative, and affordable solutions to the vast range of problems that confront the video, audio, presentation, and broadcasting professional on a daily basis. In recent years, we have redesigned and upgraded most of our line, making the best even better!

Our 1,000-plus different models now appear in 11 groups that are clearly defined by function: GROUP 1: Distribution Amplifiers; GROUP 2: Switchers and Matrix Switchers; GROUP 3: Control Systems; GROUP 4: Format/Standards Converters; GROUP 5: Range Extenders and Repeaters; GROUP 6: Specialty AV Products; GROUP 7: Scan Converters and Scalers; GROUP 8: Cables and Connectors; GROUP 9: Room Connectivity; GROUP 10: Accessories and Rack Adapters and GROUP 11: Sierra Products.

Thank you for purchasing the Kramer DigiTOOLS® **640T HDMI-Coax Transmitter** and/or Kramer DigiTOOLS® **640R Coax-HDMI Receiver**, which are ideal for:

- Boardroom and projection applications
- Long-range multimedia extension for schools, hospitals, security, and stores
- Upgrading a legacy analog installation to a digital installation

---

## 2 Getting Started

We recommend that you:

- Unpack the equipment carefully and save the original box and packaging materials for possible future shipment
- Review the contents of this user manual
- Use Kramer high performance high resolution cables



Go to <http://www.kramerelectronics.com> to check for up-to-date user manuals, application programs, and to check if firmware upgrades are available (where appropriate).

### 2.1 Achieving the Best Performance

To achieve the best performance:

- Use only good quality connection cables to avoid interference, deterioration in signal quality due to poor matching, and elevated noise levels (often associated with low quality cables)
- Avoid interference from neighboring electrical appliances that may adversely influence signal quality
- Position your Kramer **640T/640R** away from moisture, excessive sunlight and dust



**Caution:** No operator serviceable parts inside the unit

**Warning:** Use only the Kramer Electronics input power wall adapter that is provided with the unit

**Warning:** Disconnect the power and unplug the unit from the wall before installing

---

## 3 Overview

This section describes the:

- **640T** *HDMI-Coax Transmitter*, see [Section 3.1](#)
- **640R** *Coax-HDMI Receiver*, see [Section 3.2](#)

### 3.1 640T HDMI-Coax Transmitter

The Kramer DigiTOOLS® **640T** is an HDMI-coax transmitter that receives an HDMI signal, codes it, and transmits red, green, blue, clock and data signals, as well as power and infrared signals over coax cable to the **640R** receiver.

Compatible with a Kramer transmitter and via a Kramer external remote IR receiver: C-A35M/IRR or C-A35M/IRE or C-A35M/2IRE.

The **640T** features:

- Full support for HDMI up to 6.75Gbps (2.25Gbps per graphic channel) and HDCP
- Digital signal transmission without compression or conversion
- Power feeding to the **640R**  
Power feeding and IR signals are available only when using a 5-plug coax cable and the power coax line is connected.
- Plug and Play installation with no adjustments

### 3.2 640R Coax-HDMI Receiver

The Kramer DigiTOOLS® **640R** is a coax-HDMI receiver that receives a coded coax signal and infrared signals transmitted by the **640T**. It decodes the R-G-B, clock and data components and converts them to an HDMI output.

Compatible with a Kramer transmitter and via a Kramer external remote IR receiver: C-A35M/IRR or C-A35M/IRE or C-A35M/2IRE.

The **640R** features:

- Full support for HDMI up to 6.75Gbps (2.25Gbps per graphic channel) and HDCP
- Power feeding to the **640T**  
Power feeding and IR signals are available only when using a 5-plug coax cable and the power coax line is connected.
- Plug and Play installation with no adjustments

## 4 Your 640T/640R HDMI/Coax Transmitter/Receiver

This section defines the **640T HDMI-Coax Transmitter** (see [Section 4.1](#)) and **640R Coax-HDMI Receiver** (see [Section 4.2](#)).

### 4.1 Your 640T HDMI-Coax Transmitter

[Figure 1](#) defines the **640T**:

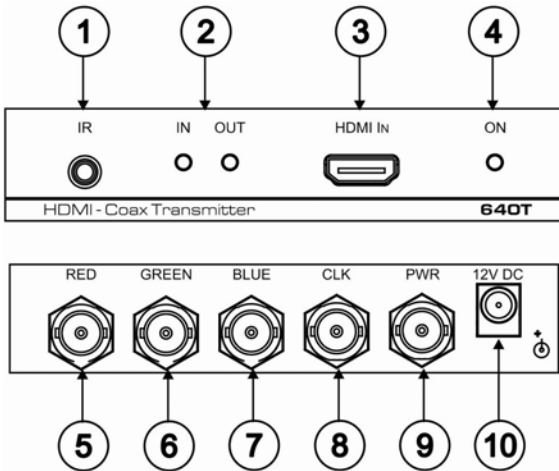


Figure 1: 640T/640R HDMI/Coax Transmitter/Receiver

#	Feature	Function
1	IR Connector	Connects to an IR sensor or transmitter Compatible with a Kramer transmitter and via a Kramer external remote IR receiver: C-A35M/IRR or C-A35M/IRE or C-A35M/2IRE
2	IN / OUT LED	The IN LED illuminates when an input source is connected. The OUT LED illuminates when an output acceptor is connected
3	HDMI IN Connector	Connects to an HDMI source
4	ON LED	Illuminates when receiving power
5	RED Output BNC Connector	Transmits the red signal to the <b>640R</b>
6	GREEN Output BNC Connector	Transmits the green signal to the <b>640R</b>
7	BLUE Output BNC Connector	Transmits the blue signal to the <b>640R</b>
8	CLK Output BNC Connector	Transmits the clock signal to the <b>640R</b>
9	PWR Output BNC Connector	Transmits power and the IR signal to the <b>640R</b>
10	12V DC	+12V DC connector for powering the unit



## 4.2 Your 640R Coax-HDMI Receiver

Figure 2 defines the **640R**:

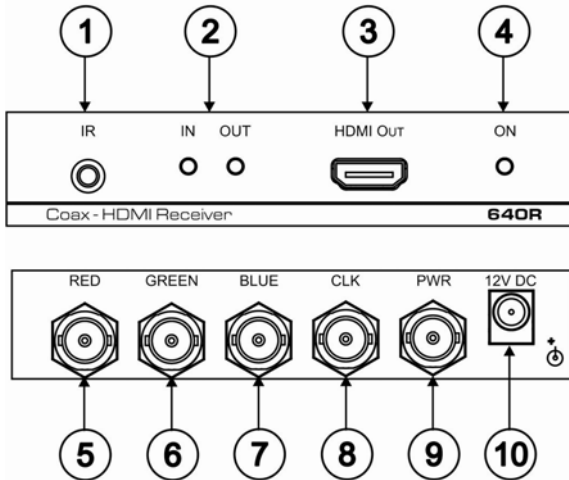


Figure 2: 640R Coax-HDMI Receiver

#	Feature	Function
1	IR Connector	Connects to an IR sensor or transmitter Compatible with a Kramer transmitter and via a Kramer external remote IR receiver: C-A35M/IRR or C-A35M/IRE or C-A35M/2IRE
2	IN / OUT LED	The IN LED Illuminates when an input source is connected. The OUT LED illuminates when an output acceptor is connected
3	HDMI OUT Connector	Connects to the HDMI acceptor
4	ON LED	Illuminates when receiving power
5	RED Input BNC Connector	Receives the red signal from the <b>640T</b>
6	GREEN Input BNC Connector	Receives the green signal from the <b>640T</b>
7	BLUE Input BNC Connector	Receives the blue signal from the <b>640T</b>
8	CLK Input BNC Connector	Receives the clock signal from the <b>640T</b>
9	PWR Input BNC Connector	Receives power and the IR signal from the <b>640T</b>
10	12V DC	+12V DC connector for powering the unit

---

## 5 Connecting the 640T/640R

You can use the **640T HDMI-Coax Transmitter** and the **640R Coax-HDMI Receiver** to configure an HDMI-to-Coax Transmitter and Receiver system (see [Figure 3](#)).



Always switch off the power to each device before connecting it to your **640T/640R**. After connecting your **640T/640R**, connect its power and then switch on the power to each device.

To connect the HDMI-to-Coax Transmitter and Receiver system as shown in the example in [Figure 3](#), do the following:

1. Connect an HDMI source, for example, the HDMI output from a Blu-ray DVD player, to the **640T** HDMI IN connector.
2. Connect the **640R** HDMI OUT connector to the HDMI acceptor, for example, a projector.
3. If using a 4-plug coax cable or 4 coax cables:
  - Connect the **640T** red, green, blue, and clock BNC connectors to the **640R** red, green, blue and, clock BNC connectors
  - Connect 12V DC power supplies to both the **640T** and the **640R** (not shown in [Figure 3](#)). The remote power and IR remote control functions are not available
4. If using a 5-plug coax cable or 5 coax cables:
  - Connect the **640T** red, green, blue, clock, and power BNC connectors to the **640R** red, green, blue, clock, and power BNC connectors
  - Connect one 12V DC power supply to either the **640T** or the **640R** (not shown in [Figure 3](#)). Power and the IR remote control function are transmitted over the power coax connection to the second device

**Note:** All coax cables must be the same length. There can be no more than 6 inches (15cm) difference in length between any of the cables.

5. Connect the power supply(s) to the mains electricity.

After all connections are made and the units are powered ON, the system operates.

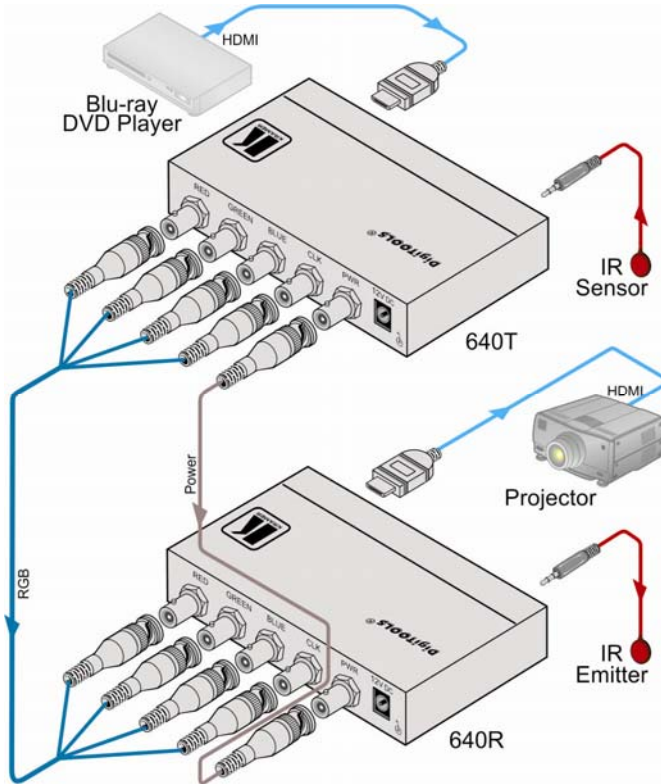


Figure 3: HDMI-to-Coax Transmitter and Receiver System

## 6 Technical Specifications

INPUTS:	1 HDMI connector	5 BNC connectors
OUTPUTS:	5 BNC connectors	1 HDMI connector
PORT:	1 IR on a 3.5mm mini connector	
MAX. DATA RATE:	Supports up to 6.75Gbps (2.25Gbps per graphic channel)	
STANDARDS COMPLIANCE:	HDMI and HDCP	
POWER SOURCE:	12V DC, 440mA	12V DC, 330mA
OPERATING TEMPERATURE:	0° to +55°C (32° to 131°F)	
STORAGE TEMPERATURE:	-45° to +72°C (-49° to 162°F)	
HUMIDITY:	10% to 90%, RHL non-condensing	
DIMENSIONS:	12.1cm x 7.2cm x 2.4cm (4.7" x 2.8" x 1.0"), W, D, H	
WEIGHT:	0.3kg (0.7lbs) approx.	
ACCESSORIES:	Power supply	
OPTIONS:	Kramer external remote IR receiver C-A35M/IRR or C-A35M/IRE or C-A35M/2IRE	
Specifications are subject to change without notice at <a href="http://www.kramerelectronics.com">http://www.kramerelectronics.com</a>		

640T/640R Range Chart	
Cable Type	Max Range
BC-5 (28 AWG)	50m
BC-5 (26 AWG)	60m
RG-59	115m
RG-6	150m

## LIMITED WARRANTY

The warranty obligations of Kramer Electronics for this product are limited to the terms set forth below:

### What is Covered

This limited warranty covers defects in materials and workmanship in this product.

### What is Not Covered

This limited warranty does not cover any damage, deterioration or malfunction resulting from any alteration, modification, improper or unreasonable use or maintenance, misuse, abuse, accident, neglect, exposure to excess moisture, fire, improper packing and shipping (such claims must be presented to the carrier), lightning, power surges, or other acts of nature. This limited warranty does not cover any damage, deterioration or malfunction resulting from the installation or removal of this product from any installation, any unauthorized tampering with this product, any repairs attempted by anyone unauthorized by Kramer Electronics to make such repairs, or any other cause which does not relate directly to a defect in materials and/or workmanship of this product. This limited warranty does not cover cartons, equipment enclosures, cables or accessories used in conjunction with this product.

Without limiting any other exclusion herein, Kramer Electronics does not warrant that the product covered hereby, including, without limitation, the technology and/or integrated circuit(s) included in the product, will not become obsolete or that such items are or will remain compatible with any other product or technology with which the product may be used.

### How Long Does this Coverage Last

Seven years as of this printing; please check our Web site for the most current and accurate warranty information.

### Who is Covered

Only the original purchaser of this product is covered under this limited warranty. This limited warranty is not transferable to subsequent purchasers or owners of this product.

### What Kramer Electronics will do

Kramer Electronics will, at its sole option, provide one of the following three remedies to whatever extent it shall deem necessary to satisfy a proper claim under this limited warranty:

1. Elect to repair or facilitate the repair of any defective parts within a reasonable period of time, free of any charge for the necessary parts and labor to complete the repair and restore this product to its proper operating condition. Kramer Electronics will also pay the shipping costs necessary to return this product once the repair is complete.
2. Replace this product with a direct replacement or with a similar product deemed by Kramer Electronics to perform substantially the same function as the original product.
3. Issue a refund of the original purchase price less depreciation to be determined based on the age of the product at the time remedy is sought under this limited warranty.

### What Kramer Electronics will not do Under This Limited Warranty

If this product is returned to Kramer Electronics or the authorized dealer from which it was purchased or any other party authorized to repair Kramer Electronics products, this product must be insured during shipment, with the insurance and shipping charges prepaid by you. If this product is returned uninsured, you assume all risks of loss or damage during shipment. Kramer Electronics will not be responsible for any costs related to the removal or re-installation of this product from or into any installation. Kramer Electronics will not be responsible for any costs related to any setting up this product, any adjustment of user controls or any programming required for a specific installation of this product.

### How to Obtain a Remedy under this Limited Warranty

To obtain a remedy under this limited warranty, you must contact either the authorized Kramer Electronics reseller from whom you purchased this product or the Kramer Electronics office nearest you. For a list of authorized Kramer Electronics resellers and/or Kramer Electronics authorized service providers, please visit our web site at [www.kramerelectronics.com](http://www.kramerelectronics.com) or contact the Kramer Electronics office nearest you.

In order to pursue any remedy under this limited warranty, you must possess an original, dated receipt as proof of purchase from an authorized Kramer Electronics reseller. If this product is returned under this limited warranty, a return authorization number, obtained from Kramer Electronics, will be required. You may also be directed to an authorized reseller or a person authorized by Kramer Electronics to repair the product.

If it is decided that this product should be returned directly to Kramer Electronics, this product should be properly packed, preferably in the original carton, for shipping. Cartons not bearing a return authorization number will be refused.

### Limitation on Liability

THE MAXIMUM LIABILITY OF KRAMER ELECTRONICS UNDER THIS LIMITED WARRANTY SHALL NOT EXCEED THE ACTUAL PURCHASE PRICE PAID FOR THE PRODUCT. TO THE MAXIMUM EXTENT PERMITTED BY LAW, KRAMER ELECTRONICS IS NOT RESPONSIBLE FOR DIRECT, SPECIAL, INCIDENTAL OR CONSEQUENTIAL DAMAGES RESULTING FROM ANY BREACH OF WARRANTY OR CONDITION, OR UNDER ANY OTHER LEGAL THEORY. Some countries, districts or states do not allow the exclusion or limitation of relief, special, incidental, consequential or indirect damages, or the limitation of liability to specified amounts, so the above limitations or exclusions may not apply to you.

### Exclusive Remedy

TO THE MAXIMUM EXTENT PERMITTED BY LAW, THIS LIMITED WARRANTY AND THE REMEDIES SET FORTH ABOVE ARE EXCLUSIVE AND IN LIEU OF ALL OTHER WARRANTIES, REMEDIES AND CONDITIONS, WHETHER ORAL OR WRITTEN, EXPRESS OR IMPLIED. TO THE MAXIMUM EXTENT PERMITTED BY LAW, KRAMER ELECTRONICS SPECIFICALLY DISCLAIMS ANY AND ALL IMPLIED WARRANTIES, INCLUDING, WITHOUT LIMITATION, WARRANTIES OF MERCHANTABILITY AND FITNESS FOR A PARTICULAR PURPOSE. IF KRAMER ELECTRONICS CANNOT LAWFULLY DISCLAIM OR EXCLUDE IMPLIED WARRANTIES UNDER APPLICABLE LAW, THEN ALL IMPLIED WARRANTIES COVERING THIS PRODUCT, INCLUDING WARRANTIES OF MERCHANTABILITY AND FITNESS FOR A PARTICULAR PURPOSE, SHALL APPLY TO THIS PRODUCT AS PROVIDED UNDER APPLICABLE LAW.

IF ANY PRODUCT TO WHICH THIS LIMITED WARRANTY APPLIES IS A "CONSUMER PRODUCT" UNDER THE MAGNUSON-MOSS WARRANTY ACT (15 U.S.C.A. §2301, ET SEQ.) OR OTHER APPLICABLE LAW, THE FOREGOING DISCLAIMER OF IMPLIED WARRANTIES SHALL NOT APPLY TO YOU, AND ALL IMPLIED WARRANTIES ON THIS PRODUCT, INCLUDING WARRANTIES OF MERCHANTABILITY AND FITNESS FOR THE PARTICULAR PURPOSE, SHALL APPLY AS PROVIDED UNDER APPLICABLE LAW.

### Other Conditions

This limited warranty gives you specific legal rights, and you may have other rights which vary from country to country or state to state.

This limited warranty is void if (i) the label bearing the serial number of this product has been removed or defaced, (ii) the product is not distributed by Kramer Electronics or (iii) this product is not purchased from an authorized Kramer Electronics reseller. If you are unsure whether a reseller is an authorized Kramer Electronics reseller, please visit our Web site at [www.kramerelectronics.com](http://www.kramerelectronics.com) or contact a Kramer Electronics office from the list at the end of this document.

Your rights under this limited warranty are not diminished if you do not complete and return the product registration form or complete and submit the online product registration form. Kramer Electronics thanks you for purchasing a Kramer Electronics product. We hope it will give you years of satisfaction.



For the latest information on our products and a list of Kramer distributors, visit our Web site where updates to this user manual may be found.

**We welcome your questions, comments, and feedback.**

Web site: [www.kramerelectronics.com](http://www.kramerelectronics.com)

E-mail: [info@kramerel.com](mailto:info@kramerel.com)



**SAFETY WARNING**

Disconnect the unit from the power supply before opening and servicing