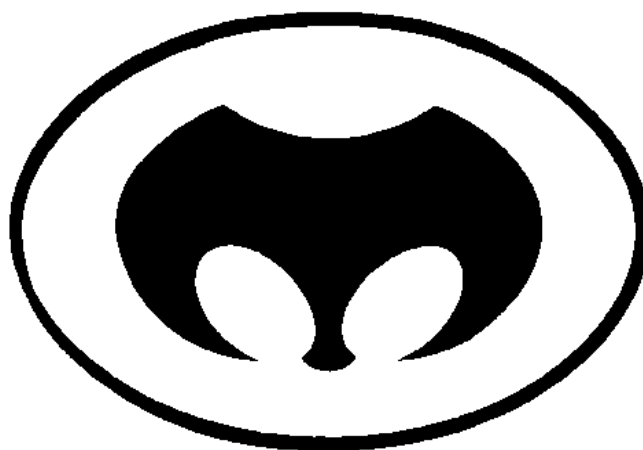


ZoneVu

TELEMETRY RECEIVER

USERS MANUAL

ZVR-410



SECURITY *with* **VISION**

CE

CCTV
MANUFACTURERS
& DISTRIBUTORS
ASSOCIATION

CONTENTS

1.	ZVR-410 WELCOME.....	3
2.	FEATURES.....	3
	INSTALLATION.....	4
2.1	LINK SETTINGS	4
2.2	CONNECTING THE ZVR-410.....	5
2.3	CAMERA NUMBER ASSIGNMENT	5
3.	SELF TEST DIAGNOSTICS.....	6
4.	SPECIFICATIONS	6
4.1	ELECTRICAL	6
4.2	PHYSICAL.....	6
5.	CONNECTION DIAGRAM	7
6.	TROUBLE SHOOTING GUIDE	8
7.	DECLARATION OF CONFORMITY	9
8.	PRODUCT WARRANTY.....	10
9.	DOCUMENT HISTORY	11

Whilst every effort has been made to confirm the information in this document is correct, **MEYERTECH LIMITED** cannot accept any liability for any errors, omissions and or incorrect information contained within this document.

No part of this document may be reproduced or distributed in any form or by any means without prior written consent from **MEYERTECH LIMITED**.

MEYERTECH LIMITED are committed to continuous product development and therefore reserve the right to change specifications without notice.

© 2002 ALL RIGHTS RESERVED.

1. ZVR-410 WELCOME

Thank you for purchasing our ZoneVu ZVR-410 Telemetry Receiver.

The ZVR-410 is a powerful, low cost telemetry receiver offering all the standard camera control functions required for AC heads plus Pan, tilt, Zoom and Focus presets.

With the ability to operate over coax or twisted pair RS-422, the ZVR-410 is compact enough to be mounted easily inside a camera housing and on board self-test and diagnostic facilities minimize installation and commissioning time.

MEYERTECH are dedicated to customer service and support. If you have any questions or problems, our staff will be pleased to assist you on the technical help lines listed on page 14.

2. FEATURES

- ◆ Pan, Tilt, Zoom and Focus.
- ◆ Simultaneous Pan ,Tilt and Zoom.
- ◆ Wash, Wipe and Lamp/Auxiliary Relay Outputs.
- ◆ Function and PSU LED's.
- ◆ Anti Tamper Alarm.
- ◆ Coaxial or RS-422 Telemetry.
- ◆ Compatible with the full range of ZoneVu products.
- ◆ Self Test Diagnostics.

INSTALLATION

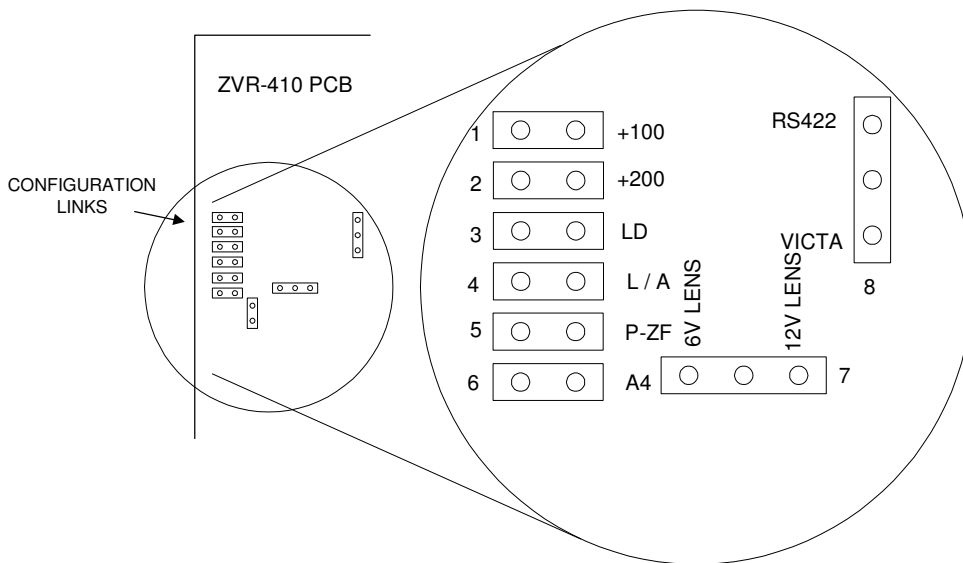
To obtain the optimum performance from your ZVR-410 please take time to read this manual before commencing installation. If you have any questions or problems our staff will be pleased to assist you on the technical help lines listed on page 14.

Unpack the ZVR-410 and check the contents against the list below.

- ◆ ZVR-410 PCB
- ◆ 12V 3VA Transformer

2.1 LINK SETTINGS

The ZVR-410 PCB is populated with a number of jumper links which require setting at installation. These are all located down one side of the PCB as indicated below (also see Connection Diagram on page 7).



The following links require setting.

- | | | |
|---|--------------------|--|
| 1 | Address range +100 | Fit for camera addresses above 99 but below 200 |
| 2 | Address range +200 | Fit for camera addresses above 199 but below 300 |
| 3 | Lens Direction | Fit to reverse the Zoom direction |
| 4 | Lamp or Aux 1 | Fit to action Lamp commands. |
| 5 | P-ZF | Fit if you do not have a preset head and camera lens |
| 6 | Not used | |
| 7 | Lens Voltage | 6V or 12V lens |
| 8 | Telemetry | RS422 (link IN) or VICTA Telemetry (link IN) |

2.2 CONNECTING THE ZVR-410

Connect up the ZVR-410 in accordance with the accompanying wiring diagram, paying special attention to the maximum ratings and the notes below.

1. The ZVR-410 MUST be earthed at the AC input supply terminal.
2. NEVER run cables directly under the PCB as this may interfere with the operation of the Telemetry ZVR-410 and other camera head equipment.
3. ALWAYS use Screened cables for low voltage and signal cables ensuring the screen is connected to 0V or Earth.
4. AVOID looming cables of differing characteristics together E.G. Video cables with cables carrying mains power.
5. If the ZVR-410 is to be operated over twisted pair cable ensure the screen is connected to 0V.
6. The maximum cable run for Twisted Pair is typically 2Km.
7. The maximum cable run for VICTA is typically 350m for RG59 and 750m for RG11. The cable run must be unbroken.
8. The maximum number of Telemetry Receivers that can be connected to a driver output is 32.
9. The cable used to wire the secondary of the transformer should be a minimum of 0.5mm².

2.3 CAMERA NUMBER ASSIGNMENT

When operating the ZVR-410 using RS-422 telemetry, a receiver address must be set up which corresponds to the connected matrix output. The ZVR-410 receiver address can be set in the range 1-299. If operating the ZVR-410 over Meyertech VICTA coax telemetry, no receiver address is necessary.

To set the ZVR-410 receiver address:

1. If the camera address is in the hundreds fit the appropriate links +100 or +200. Only one of these links should be fitted.
2. Set the tens switch.
3. Set the units switch.

3. SELF TEST DIAGNOSTICS

The ZVR-410 features a self-test to sequence through the receiver function. Press once to activate.

4. SPECIFICATIONS

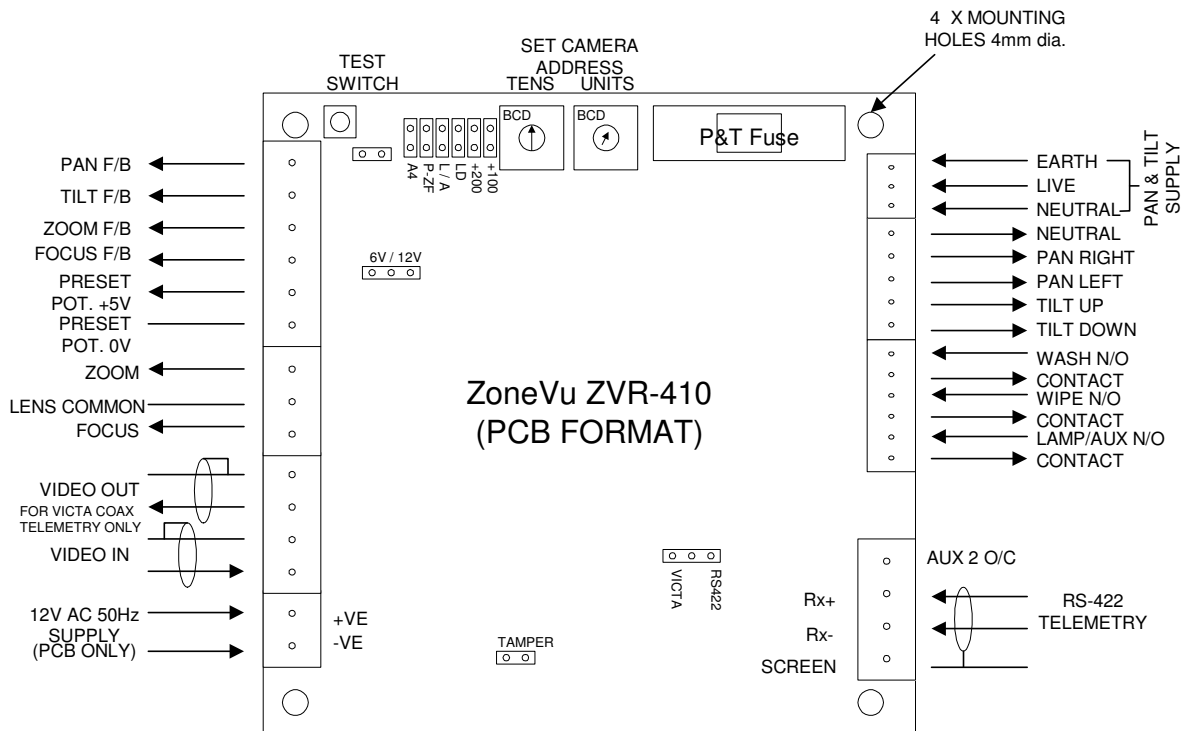
4.1 ELECTRICAL

- POWER INPUT** - 12VAC Power Supply.
- Separate input for Pan and Tilt Supply.
- CURRENT CONSUMPTION** - 35mA
- RELAYS** - Normally Open 5A max.

4.2 PHYSICAL

- DIMENSIONS** - 117mm x 100mm x 25mm (WxDxH) without CCM fitted
- WEIGHT** - 140g
- TEMPERATURE** - Operational 0 Degrees to 40 Degrees C
- Storage minus 20 Degrees to plus 60 Degrees C
- Humidity 10% to 95% (Non-condensing)
- VIDEO I/O** - 2-part screw terminal plug & socket
- PAN & TILT SUPPLY** - 2-part screw terminal plug & socket
- PAN & TILT DRIVE** - 2-part screw terminal plug & socket
- WASH, WIPE, LAMP PRESET** - 2-part screw terminal plug & socket
- FEEDBACK** - Screw terminals
- LENS DRIVE** - Screw terminals
- TAMPER** - 2 pin header
- DATA** - Screw terminals
- PROTOCOL** - VICTA™ coax telemetry.
ZoneVu RS422 twisted pair

5. CONNECTION DIAGRAM



6. TROUBLE SHOOTING GUIDE

This Trouble Shooting Guide should be used in the first instance of encountering any problems with the ZVR-410. If problems persist, contact MEYERTECH's support line 01724 278833.

<i>Symptom</i>	<i>Solution</i>

7. DECLARATION OF CONFORMITY**EC DECLARATION OF CONFORMITY ACCORDING
TO ARTICLE 10 OF COUNCIL DIRECTIVE 89/336/EEC**

Manufacture's Name: **MEYERTECH DIVISION**

Manufacture's Address: MEYERTECH Division
Office Block One
Southlink Business Park
Oldham
OL4 1DE

declares, that the product(s):

Product Name : ZVR-410 Telemetry Receiver

Model(s) : All

Product Options : All

conforms to the following Product Specifications :

EN55022 CLASS B
EN50093

Supplementary Information :

MEYERTECH declare under our sole responsibility that the product to which this declaration relates, is in conformity with the protection requirements of council directive 89/336/EEC on the approximation of the laws of the member states relating to electromagnetic compatibility.

SIGNED -



S K MEYERS
Director MEYERTECH DIVISION

ISSUED THIS DAY : 20-10-1999

**Meyertech Division (Head Office), Office Block One, Southlink Business
Park, Oldham, England, OL4 1DE.**

8. PRODUCT WARRANTY

MEYERTECH LIMITED warrants that at the time of shipment the products manufactured by Meyertech will be free from defects in material and workmanship.

Should any defects appear within twelve months from date of shipment, Meyertech Limited shall at its sole discretion repair or replace the defective material. Such material shall not be accepted for return or repair without prior notification of Meyertech Limited.

Return shipments to Meyertech Limited shall be at the customer's expense. Meyertech Limited will return said equipment prepaid via best way.

This warranty is in lieu of and excludes any and all other expressed or implied warranties of merchantability or fitness, or otherwise. Items manufactured by any supplier other than Meyertech Limited shall bear only the warranty made by the manufacturer of that product, and Meyertech Limited assumes no responsibility for the performance or reliability of that product.

Meyertech Limited will not be liable for any special or consequential damages, or for loss, damages, or expense directly or indirectly arising from the use of the products, or any inability to use them either separately or in combination with any other equipment or material or from any other cause.

This warranty does not extend to any product manufactured by Meyertech Limited which has been subject to misuse, neglect, accident, war, civil disturbance, terrorist acts, improper installation, act of God, or in violation of the instructions supplied by Meyertech Limited.

9. DOCUMENT HISTORY

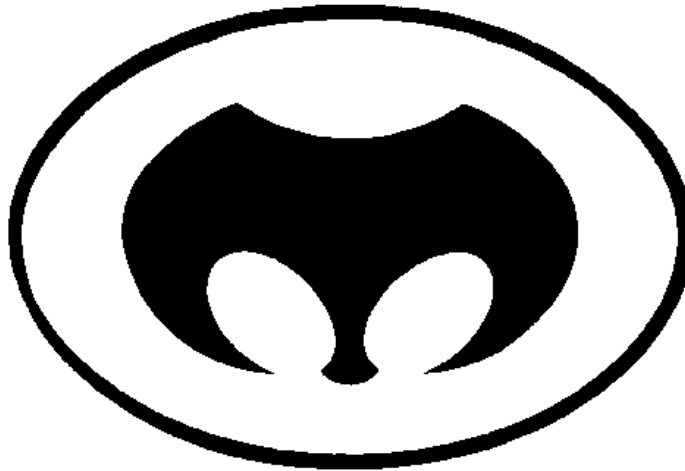
ZVR-410 Telemetry Receiver Users Manual

<i>ISSUE</i>	<i>DATE</i>	<i>CHANGE RECORD</i>
01	March 2002	First Issue

NOTES

NOTES

MEYERTECH LIMITED



SECURITY *with* **VISION**

Zebra Court
Whitemoss View
Greenside Way
Manchester
M24 1UN

Sales Support



+44 (161) 643 7956



+44 (161) 643 3992

Email : sales@meyertech.co.uk

Technical Support

Email: tech-support@meyertech.co.uk