

To our customers,

Old Company Name in Catalogs and Other Documents

On April 1st, 2010, NEC Electronics Corporation merged with Renesas Technology Corporation, and Renesas Electronics Corporation took over all the business of both companies. Therefore, although the old company name remains in this document, it is a valid Renesas Electronics document. We appreciate your understanding.

Renesas Electronics website: <http://www.renesas.com>

April 1st, 2010
Renesas Electronics Corporation

Issued by: Renesas Electronics Corporation (<http://www.renesas.com>)

Send any inquiries to <http://www.renesas.com/inquiry>.

Notice

1. All information included in this document is current as of the date this document is issued. Such information, however, is subject to change without any prior notice. Before purchasing or using any Renesas Electronics products listed herein, please confirm the latest product information with a Renesas Electronics sales office. Also, please pay regular and careful attention to additional and different information to be disclosed by Renesas Electronics such as that disclosed through our website.
2. Renesas Electronics does not assume any liability for infringement of patents, copyrights, or other intellectual property rights of third parties by or arising from the use of Renesas Electronics products or technical information described in this document. No license, express, implied or otherwise, is granted hereby under any patents, copyrights or other intellectual property rights of Renesas Electronics or others.
3. You should not alter, modify, copy, or otherwise misappropriate any Renesas Electronics product, whether in whole or in part.
4. Descriptions of circuits, software and other related information in this document are provided only to illustrate the operation of semiconductor products and application examples. You are fully responsible for the incorporation of these circuits, software, and information in the design of your equipment. Renesas Electronics assumes no responsibility for any losses incurred by you or third parties arising from the use of these circuits, software, or information.
5. When exporting the products or technology described in this document, you should comply with the applicable export control laws and regulations and follow the procedures required by such laws and regulations. You should not use Renesas Electronics products or the technology described in this document for any purpose relating to military applications or use by the military, including but not limited to the development of weapons of mass destruction. Renesas Electronics products and technology may not be used for or incorporated into any products or systems whose manufacture, use, or sale is prohibited under any applicable domestic or foreign laws or regulations.
6. Renesas Electronics has used reasonable care in preparing the information included in this document, but Renesas Electronics does not warrant that such information is error free. Renesas Electronics assumes no liability whatsoever for any damages incurred by you resulting from errors in or omissions from the information included herein.
7. Renesas Electronics products are classified according to the following three quality grades: “Standard”, “High Quality”, and “Specific”. The recommended applications for each Renesas Electronics product depends on the product’s quality grade, as indicated below. You must check the quality grade of each Renesas Electronics product before using it in a particular application. You may not use any Renesas Electronics product for any application categorized as “Specific” without the prior written consent of Renesas Electronics. Further, you may not use any Renesas Electronics product for any application for which it is not intended without the prior written consent of Renesas Electronics. Renesas Electronics shall not be in any way liable for any damages or losses incurred by you or third parties arising from the use of any Renesas Electronics product for an application categorized as “Specific” or for which the product is not intended where you have failed to obtain the prior written consent of Renesas Electronics. The quality grade of each Renesas Electronics product is “Standard” unless otherwise expressly specified in a Renesas Electronics data sheets or data books, etc.
 - “Standard”: Computers; office equipment; communications equipment; test and measurement equipment; audio and visual equipment; home electronic appliances; machine tools; personal electronic equipment; and industrial robots.
 - “High Quality”: Transportation equipment (automobiles, trains, ships, etc.); traffic control systems; anti-disaster systems; anti-crime systems; safety equipment; and medical equipment not specifically designed for life support.
 - “Specific”: Aircraft; aerospace equipment; submersible repeaters; nuclear reactor control systems; medical equipment or systems for life support (e.g. artificial life support devices or systems), surgical implantations, or healthcare intervention (e.g. excision, etc.), and any other applications or purposes that pose a direct threat to human life.
8. You should use the Renesas Electronics products described in this document within the range specified by Renesas Electronics, especially with respect to the maximum rating, operating supply voltage range, movement power voltage range, heat radiation characteristics, installation and other product characteristics. Renesas Electronics shall have no liability for malfunctions or damages arising out of the use of Renesas Electronics products beyond such specified ranges.
9. Although Renesas Electronics endeavors to improve the quality and reliability of its products, semiconductor products have specific characteristics such as the occurrence of failure at a certain rate and malfunctions under certain use conditions. Further, Renesas Electronics products are not subject to radiation resistance design. Please be sure to implement safety measures to guard them against the possibility of physical injury, and injury or damage caused by fire in the event of the failure of a Renesas Electronics product, such as safety design for hardware and software including but not limited to redundancy, fire control and malfunction prevention, appropriate treatment for aging degradation or any other appropriate measures. Because the evaluation of microcomputer software alone is very difficult, please evaluate the safety of the final products or system manufactured by you.
10. Please contact a Renesas Electronics sales office for details as to environmental matters such as the environmental compatibility of each Renesas Electronics product. Please use Renesas Electronics products in compliance with all applicable laws and regulations that regulate the inclusion or use of controlled substances, including without limitation, the EU RoHS Directive. Renesas Electronics assumes no liability for damages or losses occurring as a result of your noncompliance with applicable laws and regulations.
11. This document may not be reproduced or duplicated, in any form, in whole or in part, without prior written consent of Renesas Electronics.
12. Please contact a Renesas Electronics sales office if you have any questions regarding the information contained in this document or Renesas Electronics products, or if you have any other inquiries.

(Note 1) “Renesas Electronics” as used in this document means Renesas Electronics Corporation and also includes its majority-owned subsidiaries.

(Note 2) “Renesas Electronics product(s)” means any product developed or manufactured by or for Renesas Electronics.



User's Manual

IE-703037-MC-EM1

In-circuit Emulator Option Board

Target device
V850/SB1™

Document No. U14151EJ1V0UM00 (1st edition)
Date Published May 1999 N CP(K)

© NEC Corporation 1999
Printed in Japan

[MEMO]

V850 family and V850/SB1 are trademarks of NEC Corporation.

Windows is either a trademark or a registered trademark of Microsoft Corporation in the United States and/or other countries.

PC/AT is a trademark of International Business Machines Corporation.

Ethernet is a trademark of Xerox Corporation.

UNIX is a registered trademark in the United States and other countries, licensed exclusively through X/Open Company Limited.

- **The information in this document is subject to change without notice. Before using this document, please confirm that this is the latest version.**
- No part of this document may be copied or reproduced in any form or by any means without the prior written consent of NEC Corporation. NEC Corporation assumes no responsibility for any errors which may appear in this document.
- NEC Corporation does not assume any liability for infringement of patents, copyrights or other intellectual property rights of third parties by or arising from use of a device described herein or any other liability arising from use of such device. No license, either express, implied or otherwise, is granted under any patents, copyrights or other intellectual property rights of NEC Corporation or of others.
- Descriptions of circuits, software, and other related information in this document are provided for illustrative purposes in semiconductor product operation and application examples. The incorporation of these circuits, software, and information in the design of the customer's equipment shall be done under the full responsibility of the customer. NEC Corporation assumes no responsibility for any losses incurred by the customer or third parties arising from the use of these circuits, software, and information.

M7A 98.8

Regional Information

Some information contained in this document may vary from country to country. Before using any NEC product in your application, please contact the NEC office in your country to obtain a list of authorized representatives and distributors. They will verify:

- Device availability
- Ordering information
- Product release schedule
- Availability of related technical literature
- Development environment specifications (for example, specifications for third-party tools and components, host computers, power plugs, AC supply voltages, and so forth)
- Network requirements

In addition, trademarks, registered trademarks, export restrictions, and other legal issues may also vary from country to country.

NEC Electronics Inc. (U.S.)

Santa Clara, California
Tel: 408-588-6000
800-366-9782
Fax: 408-588-6130
800-729-9288

NEC Electronics (Germany) GmbH

Duesseldorf, Germany
Tel: 0211-65 03 02
Fax: 0211-65 03 490

NEC Electronics (UK) Ltd.

Milton Keynes, UK
Tel: 01908-691-133
Fax: 01908-670-290

NEC Electronics Italiana s.r.l.

Milano, Italy
Tel: 02-66 75 41
Fax: 02-66 75 42 99

NEC Electronics (Germany) GmbH

Benelux Office
Eindhoven, The Netherlands
Tel: 040-2445845
Fax: 040-2444580

NEC Electronics (France) S.A.

Velizy-Villacoublay, France
Tel: 01-30-67 58 00
Fax: 01-30-67 58 99

NEC Electronics (France) S.A.

Spain Office
Madrid, Spain
Tel: 91-504-2787
Fax: 91-504-2860

NEC Electronics (Germany) GmbH

Scandinavia Office
Taebby, Sweden
Tel: 08-63 80 820
Fax: 08-63 80 388

NEC Electronics Hong Kong Ltd.

Hong Kong
Tel: 2886-9318
Fax: 2886-9022/9044

NEC Electronics Hong Kong Ltd.

Seoul Branch
Seoul, Korea
Tel: 02-528-0303
Fax: 02-528-4411

NEC Electronics Singapore Pte. Ltd.

United Square, Singapore 1130
Tel: 65-253-8311
Fax: 65-250-3583

NEC Electronics Taiwan Ltd.

Taipei, Taiwan
Tel: 02-2719-2377
Fax: 02-2719-5951

NEC do Brasil S.A.

Electron Devices Division
Rodovia Presidente Dutra, Km 214
07210-902-Guarulhos-SP Brasil
Tel: 55-11-6465-6810
Fax: 55-11-6465-6829

J99.1

INTRODUCTION

Target Readers This manual is intended for users who design and develop application systems using the V850/SB1™.

Purpose The purpose of this manual is to describe the proper operation of the IE-703037-MC-EM1 and its basic specifications.

Organization This manual is divided into the following parts.

- Overview
- Names and functions of components
- Cautions

How to Read This Manual It is assumed that the reader of this manual has general knowledge in the fields of electrical engineering, logic circuits, and microcontrollers. The IE-703037-MC-EM1 is used connected to the IE-703002-MC in-circuit emulator. This manual explains the basic setup procedure and switch settings of the IE-703002-MC when it is connected to the IE-703037-MC-EM1. For the names and functions of parts, and the connection of elements, refer to the IE-703002-MC User's Manual.

To learn about the basic specifications and operation methods
→ Read this manual in the order of the **CONTENTS**.

To learn the operation methods and command functions, etc., of the IE-703002-MC and IE-703037-MC-EM1
→ Read the user's manual of the debugger (sold separately) that is used.

Conventions

Note: Footnote for item marked with **Note** in the text

Caution: Information requiring special attention

Remark: Supplementary information

Numeral representation: Binary ... xxxx or xxxxB
Decimal ... xxxx
Hexadecimal ... xxxH

Prefix indicating an exponent of 2 (address space, memory capacity):

K (kilo): $2^{10} = 1024$

M (mega): $2^{20} = 1024^2$

Terminology The meanings of terms used in this manual are listed below.

Target device	The device that is targeted for emulation.
Target system	The system (user-built system) that is targeted for debugging. This includes the target program and user-configured hardware.

Related Documents

When using this manual, refer to the following manual.

The related documents indicated in this publication may include preliminary versions. However, preliminary versions are not marked as such.

○ Documents related to development tools (User's Manual)

Document Name		Document Number
IE-703002-MC (In-circuit emulator)		U11595E
IE-703037-MC-EM1 (In-circuit emulator option board)		This manual
CA850 (C Compiler package)	Operation UNIX™ based	U12839E
	Operation Windows™ based	U12827E
	C language	U12840E
	Assembly Language	U10543E
	Project manager Windows-based	U11991E
ID850 (Integrated debugger)	Operation Windows-based	U13716E
RX850 (Real-time OS)	Basics	U13430E
	Technical	U13431E
	Installation	U13410E
RX850 Pro (Real-time OS)	Basics	U13773E
	Technical	U13772E
	Installation	U13774E
RD850 (Task debugger) ^{Note}		U11158E
RD850 (Ver.3.0) (Task debugger)		U13737E
AZ850 (System performance analyzer) Operation		U11181E

Note For ID850 (Ver. 1.31 only)

CONTENTS

CHAPTER 1 OVERVIEW	11
1.1 Hardware Configuration	11
1.2 Features (When Connected to IE-703002-MC)	12
1.3 Function Specifications (When Connected to IE-703002-MC).....	12
1.4 System Configuration	13
1.5 Contents in Carton	14
1.6 Connection between IE-703002-MC and IE-703037-MC-EM1	16
CHAPTER 2 NAMES AND FUNCTIONS OF COMPONENTS.....	19
2.1 Component Names and Functions of IE-703037-MC-EM1	19
2.2 Clock Settings.....	21
2.2.1 Main system clock setting	21
2.2.2 Subsystem clock setting.....	22
2.3 Illegal Access Detection ROM Setting	23
2.4 CPU Operation Voltage Range Switching Setting	23
2.5 Separate Bus Function Setting	24
CHAPTER 3 FACTORY SETTINGS	25
CHAPTER 4 CAUTIONS.....	27
4.1 V _{DD} , BV _{DD} , and EV _{DD} of Target System.....	27
4.2 NMI Signal	28
4.3 V _{PP} Signal	28
4.4 MAM Register.....	28
4.5 NMI Signal Mask Function	29
4.6 Bus Interface Pin	29
APPENDIX PACKAGE DRAWINGS.....	31

LIST OF FIGURES

Figure No.	Title	Page
1-1.	System Configuration	13
1-2.	Contents in Carton.....	14
1-3.	Accessories	15
1-4.	Connection between IE-703002-MC and IE-703037-MC-EM1	17
2-1.	IE-703037-MC-EM1	19
4-1.	Schematic Diagram of Power Supply Acquisition.....	27
4-2.	NMI Signal Flow Path	28
4-3.	VPP Signal Flow Path	28

LIST OF TABLES

Table No.	Title	Page
2-1.	Main System Clock Setting	21
2-2.	Subsystem Clock Setting	22
2-3.	JP1 Setting in IE-703002-MC.....	23
2-4.	JP3 and JP4 Setting in IE-703002-MC.....	23
2-5.	MAM Register and J1 Setting Correspondence	24
4-1.	Bus Interface Pin Operation List.....	29

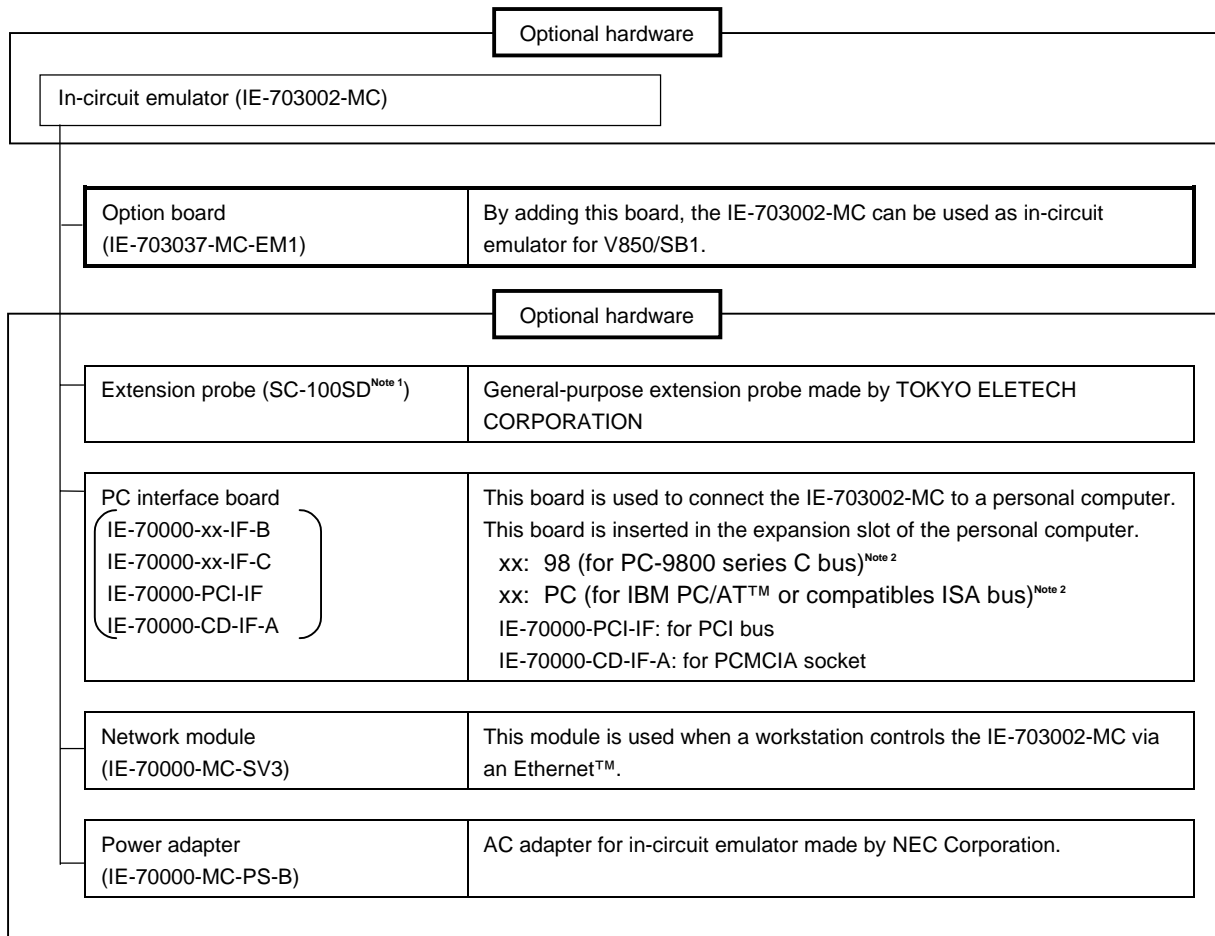
[MEMO]

CHAPTER 1 OVERVIEW

The IE-703037-MC-EM1 is an option board for the IE-703002-MC in-circuit emulator. By connecting the IE-703037-MC-EM1 and IE-703002-MC, hardware and software can be debugged efficiently in system development using the V850/SB1.

In this manual, the basic setup procedure and switch settings of the IE-703002-MC when using the IE-703037-MC-EM1 are described. For the names and functions of the parts of the IE-703002-MC, and for the connection of elements, refer to the **IE-703002-MC User's Manual**.

1.1 Hardware Configuration



- Notes**
- For further information, contact to Daimaru Kogyo Co., Ltd.
Tokyo Electronics Department (TEL +81-3-3820-7112)
Osaka Electronics Department (TEL +81-6-6244-6672)
 - Cannot be used for PC98-NX series

1.2 Features (When Connected to IE-703002-MC)

- Maximum operating frequency: 20 MHz (at 3.3 to 5.0-V operation)
- Extremely lightweight and compact
- Higher equivalence with target device can be achieved by omitting buffer between signal cables.
- The following pins can be masked.
RESET, NMI, WAIT, HLDRQ
- Two methods of connection to target system:
 - Pod tip direct connection (For information on the pod, refer to the **IE-703002-MC User's Manual**)
 - Attach an extension probe (sold separately) to the pod tip for connection
- The dimensions of the IE-703037-MC-EM1 are as follows.

Parameter		Value
Power consumption (Max. value at 3.3-V supply voltage)		0.35 W (at 20-MHz operation frequency) ^{Note}
External dimensions (Refer to APPENDIX PACKAGE DRAWINGS)	Height	15 mm
	Length	194 mm
	Width	96 mm
Weight		160 g

Note 10.35 W when IE-703002-MC connected to IE-703037-MC-EM1

1.3 Function Specifications (When Connected to IE-703002-MC)

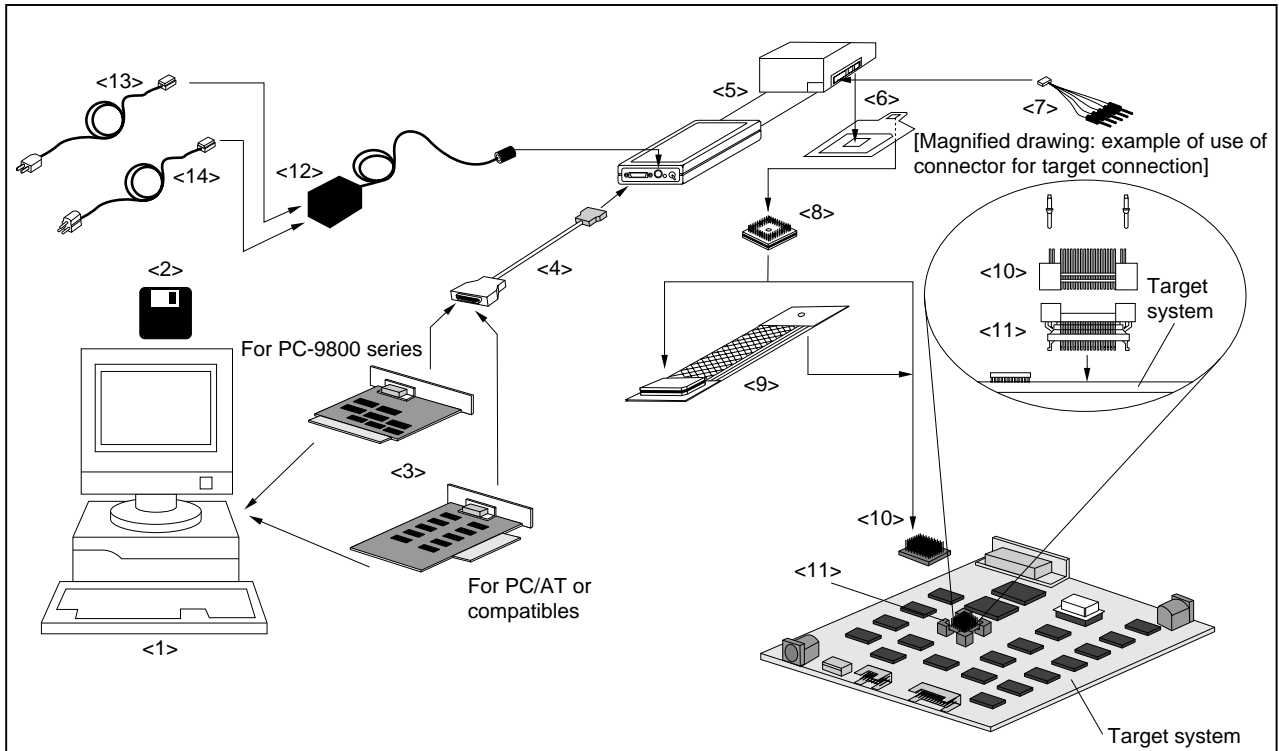
Parameter		Specification	
Emulation memory capacity	Internal ROM	256 Kbytes	
	External memory	In ROM-less mode	2 Mbytes
		When using iROM	1 Mbyte
Execution/pass detection coverage memory capacity	Internal ROM	256 Kbytes	
	External memory	In ROM-less mode	2 Mbytes
		When using iROM	1 Mbyte
Memory access detection coverage memory capacity (external memory)		1 Mbyte	
Coverage memory capacity for branching entry number counting	Internal ROM	256 Kbytes	
	External memory	In ROM-less mode	2 Mbytes
		When using iROM	1 Mbyte

Caution Some of the functions may not be supported, depending on the debugger used.

1.4 System Configuration

The system configuration when connecting the IE-703002-MC to the IE-703037-MC-EM1 and a personal computer (PC-9800 series or PC/AT™ (or compatibles)) is shown below.

Figure 1-1. System Configuration



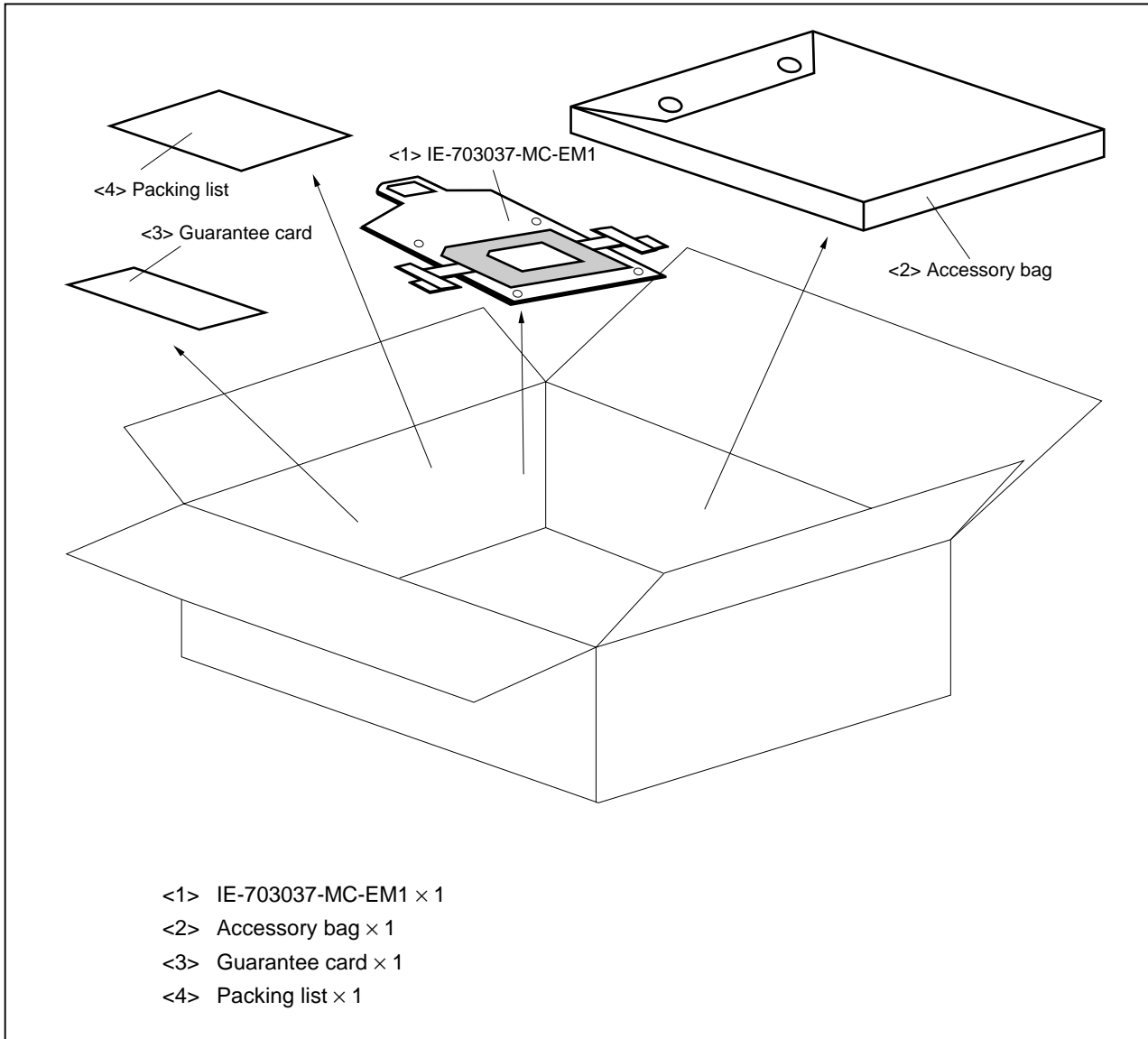
Remark

- <1> Personal computer (PC-9800 series or PC/AT or compatibles)
- <2> Debugger (sold separately)
- <3> PC interface board
(IE-70000-98-IF-B/IE-70000-98-IF-C, IE-70000-PC-IF-B/IE-70000-PC-IF-C: sold separately)
- <4> PC interface cable (included with IE-703002-MC)
- <5> In-circuit emulator (IE-703002-MC: sold separately)
- <6> In-circuit emulator option board (IE-703037-MC-EM1)
- <7> External logic probe (included with IE-703002-MC)
- <8> Socket for target connection (YQSOCKET100SDN: included with IE-703002-MC)
- <9> Extension probe (SC-100SD: sold separately)
- <10> Connector for emulator connection (YQPACK100SD: included in IE-703002-MC)
- <11> Connector for target connection (NQPACK100SD: included)
- <12> Power adapter (IE-70000-MC-PS-B: sold separately)
- <13> AC100-V power cable (sold separately: included with IE-70000-MC-PS-B)
- <14> AC220-V power cable (sold separately: included with IE-70000-MC-PS-B)

1.5 Contents in Carton

The carton of the IE-703037-MC-EM1 contains a main unit, guarantee card, packing list, and accessory bag. Make sure that the accessory bag contains this manual and the connector accessories. If there are missing or damaged items, please contact an NEC sales representative or an NEC distributor.

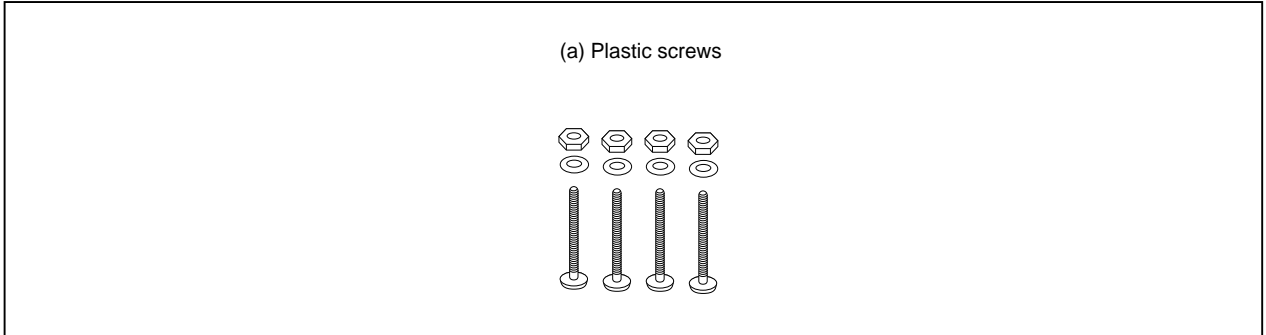
Figure 1-2. Contents in Carton



Check that the accessory bag contains this manual, an accessory list, and the following accessories.

- (a) Plastic screws × 4
(including nuts and washer × 4 sets)

Figure 1-3. Accessories



1.6 Connection between IE-703002-MC and IE-703037-MC-EM1

The procedure for connecting the IE-703002-MC and IE-703037-MC-EM1 is described below.

Caution Connect carefully so as not to break or bend connector pins.

- <1> Remove the pod cover (upper and lower) of the IE-703002-MC.
- <2> Set the PGA socket lever of the IE-703037-MC-EM1 to the OPEN position as shown in Figure 1-4 (b).
- <3> Connect the IE-703037-MC-EM1 to the PGA socket at the back of the IE-703002-MC pod (refer to Figure 1-4 (c)). When connecting, position the IE-703002-MC and IE-703037-MC-EM1 so that they are horizontal.
- <4> Set the PGA socket lever of the IE-703037-MC-EM1 to the CLOSE position as shown in Figure 1-4 (b).
- <5> Set the IE-703002-MC pod jumpers (JP1 to JP4).
 - Open JP1 (Remove the jumper contact and attach the removed jumper contact to one of the jumper pins to avoid losing it.)
 - Retain the factory settings of JP2 (pins 1 and 2 shorted, and pins 5 and 6 shorted).
 - Short pins 1 and 2 of JP3.
 - Retain the factory settings of JP4 (pins 2 and 3 shorted).
- <6> Fix the IE-703037-MC-EM1 between the IE-703002-MC pod covers (upper and lower) with the plastic screws (supplied with the IE-703002-MC).
- <7> Fix the IE-703002-MC pod cover (upper) end with nylon rivets.

Remark For the JP1 setting, refer to **2.3 Illegal Access Detection ROM Setting**. For JP3 and JP4, refer to **2.4 CPU Operation Voltage Range Switch Setting**.

Figure 1-4. Connection between IE-703002-MC and IE-703037-MC-EM1 (1/2)

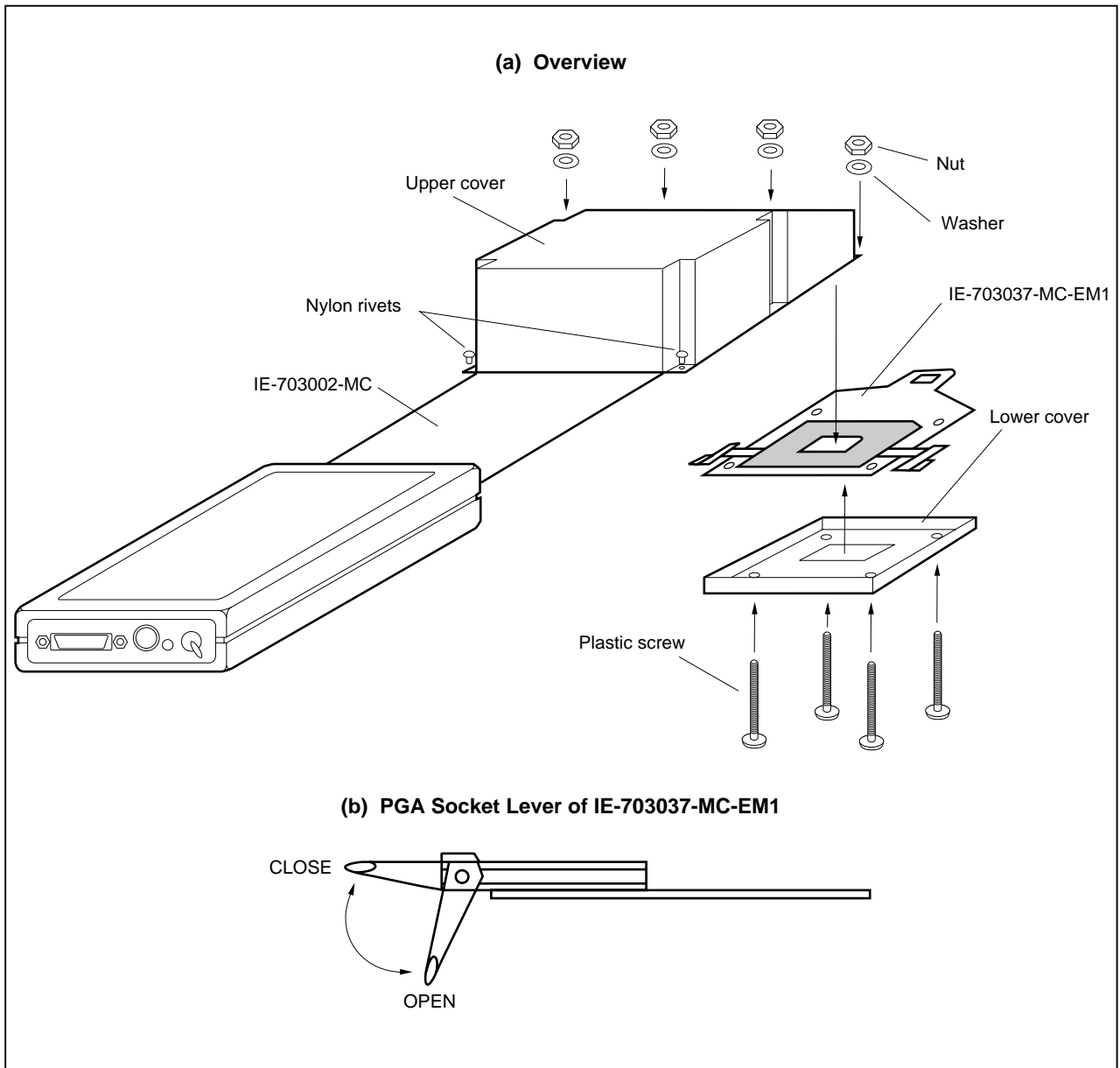
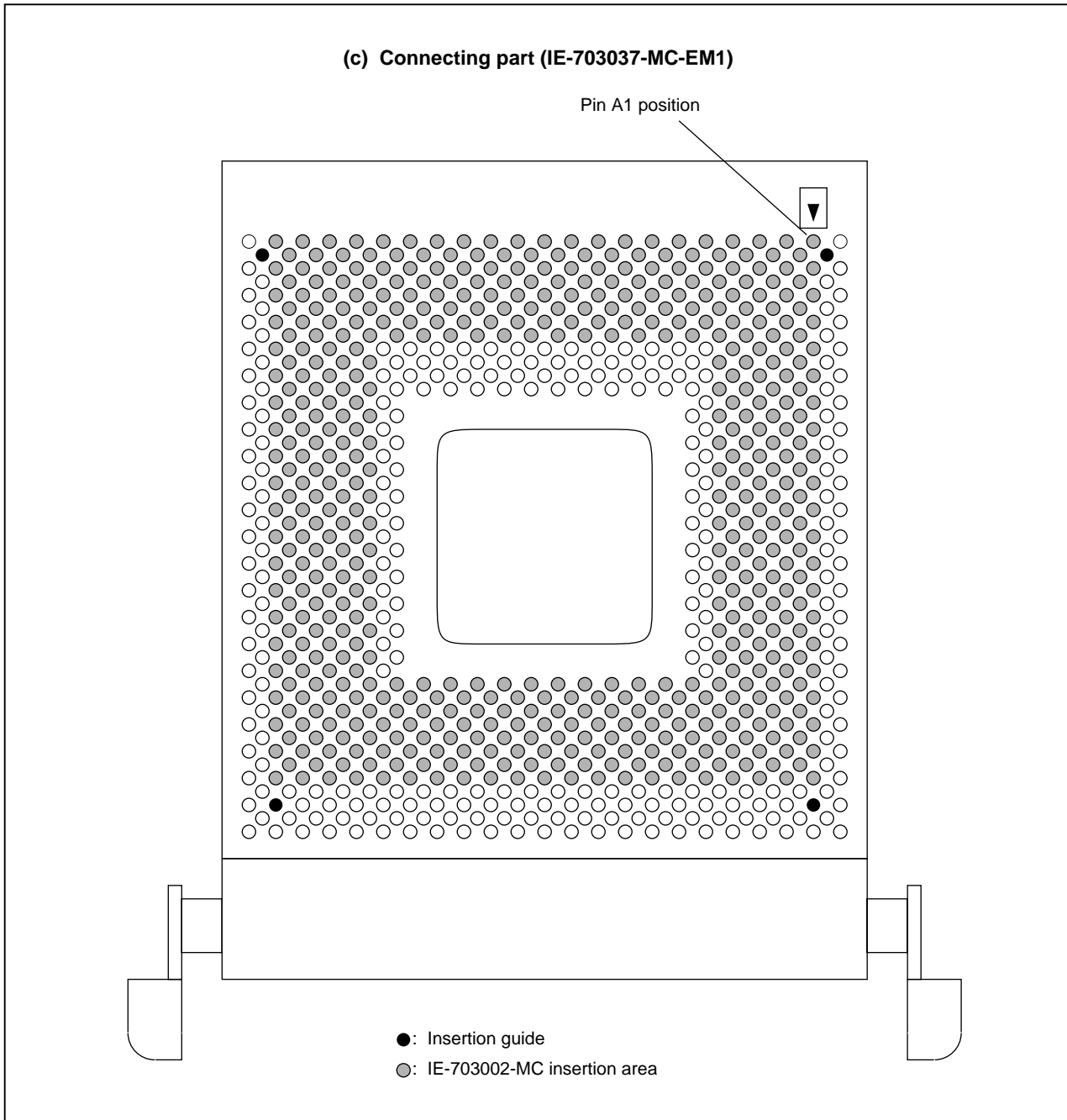


Figure 1-4. Connection between IE-703002-MC and IE-703037-MC-EM1 (2/2)

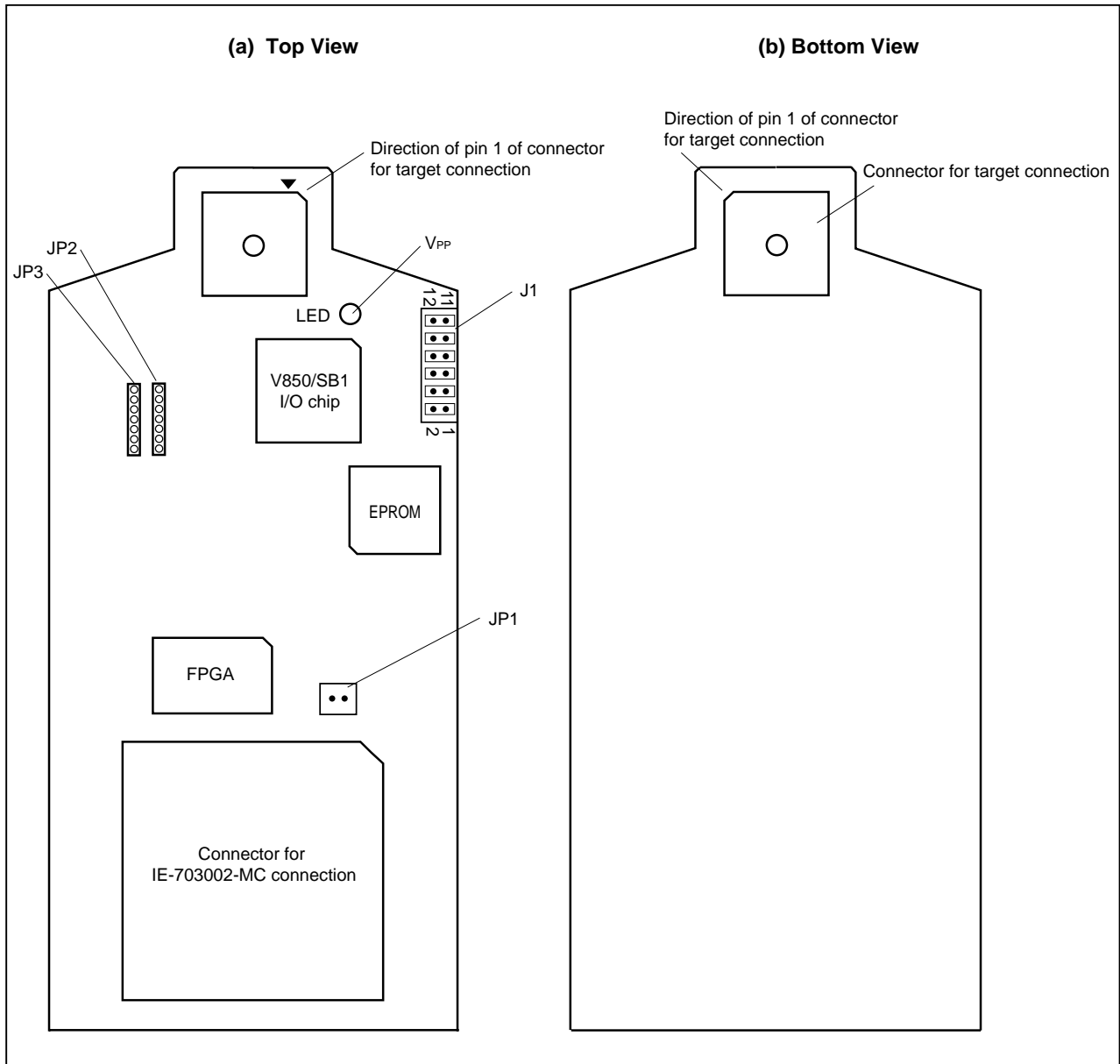


CHAPTER 2 NAMES AND FUNCTIONS OF COMPONENTS

This chapter describes the names, functions, and switch settings of components in the IE-703037-MC-EM1. For the details of the pod, jumper, and switch positions, etc., refer to the **IE-703002-MC User's Manual**.

2.1 Component Names and Functions of IE-703037-MC-EM1

Figure 2-1. IE-703037-MC-EM1



(1) JP1

This is the jumper switch for product check. Leave open.

(2) JP2

This is the switch jumper of the main system clock supply source. (For details, refer to **2.2 Clock Settings**)

(3) JP3

This is a pin board for supplying the subsystem clock. (For details, refer to **2.2 Clock Settings**)

(4) LED

LED for V_{PP}

ON: Voltage is applied to V_{PP}

OFF: Voltage is not applied to V_{PP}

(5) Connector for IE-703002-MC connection

This is a connector for connecting with the IE-703002-MC.

(6) Connector for target connection

This is a connector for connecting with the target system or the extension probe.

2.2 Clock Settings

This section describes the clock settings.

For JP1 and JP2 position in the IE-703037-MC-EM1, refer to Figure 2-1.

For the jumper switch position in the IE-703002-MC, refer to the **IE-703002-MC User's Manual**.

2.2.1 Main system clock setting

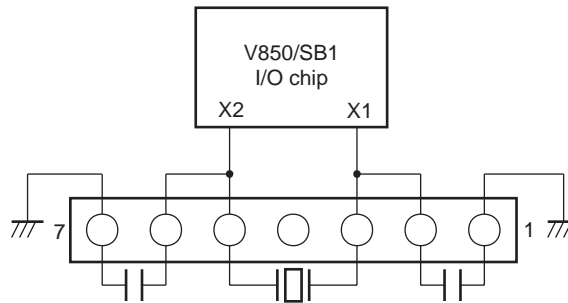
Table 2-1. Main System Clock Setting

Emulator Use Environment	Clock Supply Method	IE-703037-MC-EM1 Setting	IE-703002-MC Setting		
		JP2	SW1	SW2	JP2
When using emulator as standalone unit	Internal clock ^{Note 1}	Oscillator mounted (a 20-MHz oscillator is mounted when shipped) ^{Note 2}	ON	ON	

Notes 1. A target clock is not supported.

2. To use a main system clock frequency other than 20 MHz, remove the oscillator on JP2 and mount any oscillator.

The specifications of JP2 are as follows.

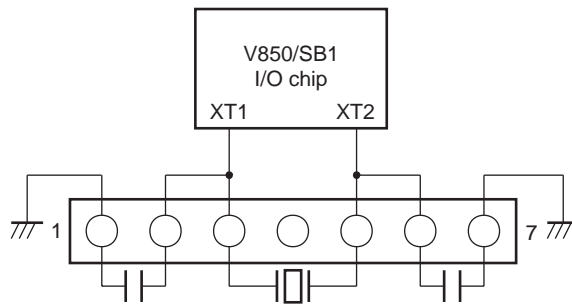


2.2.2 Subsystem clock setting

Table 2-2. Subsystem Clock Setting

Emulator Use Environment	Clock Supply Method	IE-703037-MC-EM1 Setting
		JP3
When using emulator as standalone unit	Internal clock ^{Note 1}	Oscillator mounted (a 32.768-kHz oscillator is mounted when shipped) ^{Note 2}

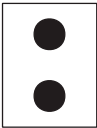
- Notes**
1. A target clock is not supported. Internal clock does not support the clock input by oscillator.
 2. To use a subsystem clock frequency other than 32.768 kHz, remove the oscillator on JP3 and mount any oscillator.
The specifications of JP3 are as follows.



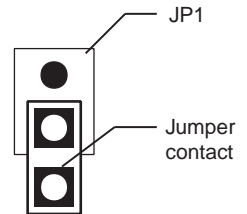
2.3 Illegal Access Detection ROM Setting

If using the IE-703002-MC for an in-circuit emulator for the V850/SB1 by connecting the IE-703037-MC-EM1, set JP1 of the IE-703002-MC as follows.

Table 2-3. JP1 Setting in IE-703002-MC

JP1		Description
Open ^{Note}		Illegal Access Detection ROM (mounted on IE-703037-MC-EM1) for V850/SB1 is used.

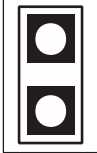
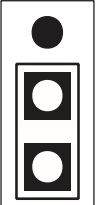
Note When JP1 is set open, keep the removed jumper contact attached to one pin as shown in the drawing on the right.



2.4 CPU Operation Voltage Range Switching Setting

If using the IE-703002-MC for an in-circuit emulator for the V850/SB1 by connecting the IE-703037-MC-EM1, set JP3 and JP4 of the IE-703002-MC as follows.

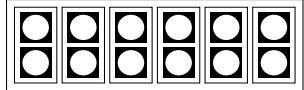
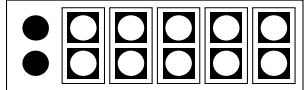
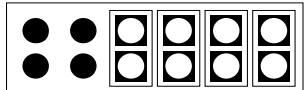
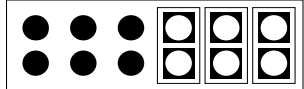
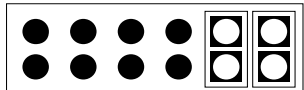
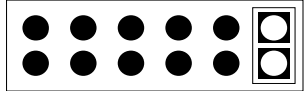
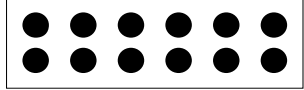
Table 2-4. JP3 and JP4 Setting in IE-703002-MC

JP3, JP4	
JP3	 <p>1 2</p> <p>(Short)</p>
JP4	 <p>1 2 3</p>


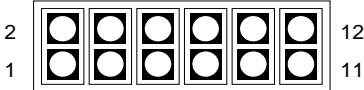
2.5 Separate Bus Function Setting

To use the separate bus function, J1 of the IE-703037-MC-EM1 must be set. Table 2-5 shows the correspondence between the MAM register and J1 settings.

Table 2-5. MAM Register and J1 Setting Correspondence

MAM2	MAM1	MAM0	Operation of P34 to P36, P100 to P107, P110 to P113		J1 Setting
0	0	0	P34 to P36	Port mode	
			P100 to P107	Port mode	
			P110 to P113	Port mode	
0	1	0	P34 to P36	Port mode	
			P100 to P107	Port mode	
			P110 to P113	A1 to A4	
0	1	1	P34 to P36	Port mode	
			P100 to P103	A5 to A8	
			P104 to P107	Port mode	
			P110 to P113	A1 to A4	
1	0	0	P34 to P36	Port mode	
			P100 to P107	A5 to A12	
			P110 to P113	A1 to A4	
1	0	1	P34	A13	
			P35, P36	Port mode	
			P100 to P107	A5 to A12	
			P110 to P113	A1 to A4	
1	1	0	P34, P35	A13, A14	
			P36	Port mode	
			P100 to P107	A5 to A12	
			P110 to P113	A1 to A4	
1	1	1	P34 to P36	A13 to A15	
			P100 to P107	A5 to A12	
			P110 to P113	A1 to A4	

CHAPTER 3 FACTORY SETTINGS

Item	Description	Remark
JP1		Jumper switch for product check
JP2	Oscillator mounted	20-MHz clock supplied for main system clock.
JP3	Oscillator mounted	32.768-kHz clock supplied for subsystem clock.
J1		Set to port mode (P34 to P36, P100 to P107, P110 to P113)

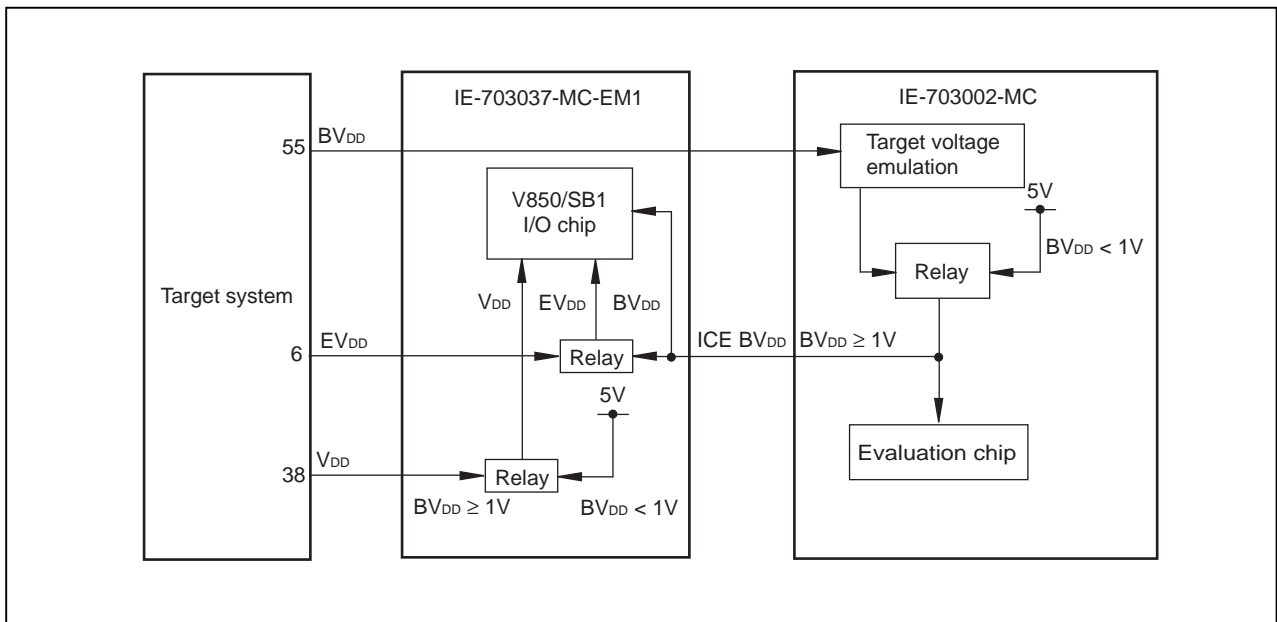
[MEMO]

CHAPTER 4 CAUTIONS

4.1 V_{DD} , BV_{DD} , and EV_{DD} of Target System

- (1) BV_{DD} in the target system is not connected to BV_{DD} in the evaluation chip in the IE-703002-MC.
The IE-703002-MC uses BV_{DD} of the target system for the following purposes:
 - Power ON/OFF detection of target system
 - BV_{DD} emulation of target system
- (2) When the BV_{DD} voltage of the target system is 1 V or higher, the evaluation chip in the emulator operates using the supply of V_{DD} and EV_{DD} from the target system. The power consumption is equivalent to that of the V850/SB1.
- (3) When the BV_{DD} voltage of the target system is lower than 1 V, the emulator recognizes the target system power is off and operates at $V_{DD} = BV_{DD} = EV_{DD} = 5.0$ V.

Figure 4-1. Schematic Diagram of Power Supply Acquisition

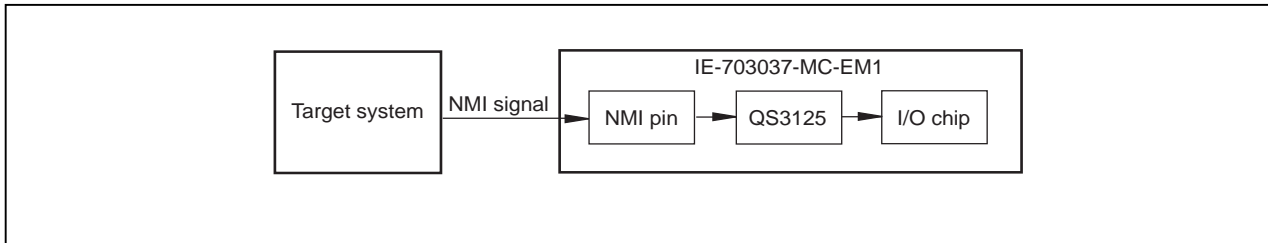


4.2 NMI Signal

The input signal (NMI signal) from the target system is delayed ($t_{pD} = 0.25$ ns (TYP.)) because it passes through QS3125 (Q switch) before it is input to the I/O chip of the emulator.

In addition, the DC characteristics change. The input voltage becomes $V_{IH} = 2.0$ V (MIN.), and $V_{IL} = 0.8$ V (MAX.). The input current becomes $I_{IN} = \pm 0.5$ μ A (MAX.).

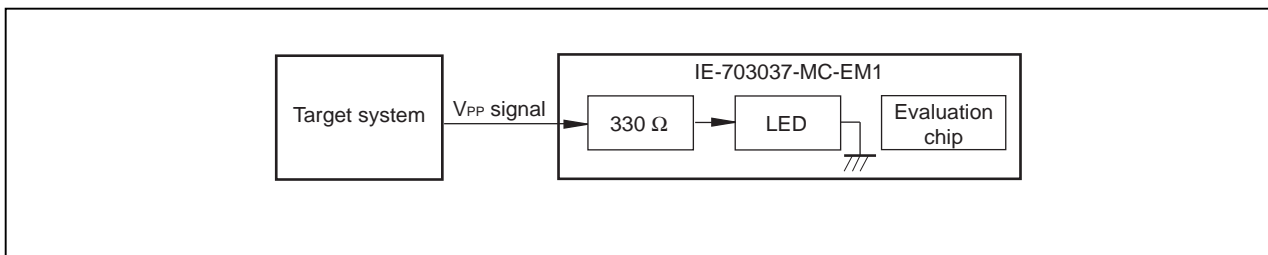
Figure 4-2. NMI Signal Flow Path



4.3 V_{PP} Signal

The V_{PP} signal from the target system is connected to LED via a 330- Ω resistor in the emulator. It is not connected to the evaluation chip in the emulator.

Figure 4-3. V_{PP} Signal Flow Path



4.4 MAM Register

Debugging of the MAM register cannot be performed in the emulator. If debugging the MAM register with software, proceed with care.

In the target device, ports can be used as address buses by setting values to the MAM register (address: FFFFF068H), which is mapped in the internal peripheral I/O area, using software (separate bus function). In the emulator, however, switching to the separate bus through a MAM register setting by software is impossible.

To use the separate bus function, set the J1 jumper in advance. (Refer to **2.5 Separate Bus Function Setting**)

4.5 NMI Signal Mask Function

When using the P00/NMI pin in the port mode, do not mask the NMI signal.

4.6 Bus Interface Pin

The operation of the pin for the bus interface differs between the emulator and the target device as follows.

Table 4-1. Bus Interface Pin Operation List (1/2)
(a) During break

Pin Name	Internal Memory							External Memory				
	Memory Used by Emulator			Internal ROM	Internal RAM		Internal Peripheral I/O		Emulation RAM		Target System	
	F	R	W	R	R	W	R	W	R	W	R	W
A16 to A21	Hold the last accessed address							Active		Active		
AD0 to AD15	Hi-Z							Active		Active		
ASTB	H							Active		Active		
$\overline{R/W}$	H							Active		Active		
\overline{DSTB}	H							H		Active		
\overline{LBEN}	H							Active		Active		
\overline{UBEN}	H							Active		Active		
\overline{WAIT}	Invalid							Maskable		Maskable		
\overline{HLDRQ}	Maskable							Maskable		Maskable		
\overline{HLDAK}	H or L							H or L		H or L		
\overline{WRL}	H							H		H	Note	
\overline{WRH}	H							H		H	Note	
\overline{RD}	H							H		Note	H	

Note Active

- Remarks**
- F: Fetch

R: Read

W: Write
 - H: High-level output

L: Low-level output

Hi-Z: High-impedance

**Table 4-1. Bus Interface Pin Operation List (2/2)
(b) During run**

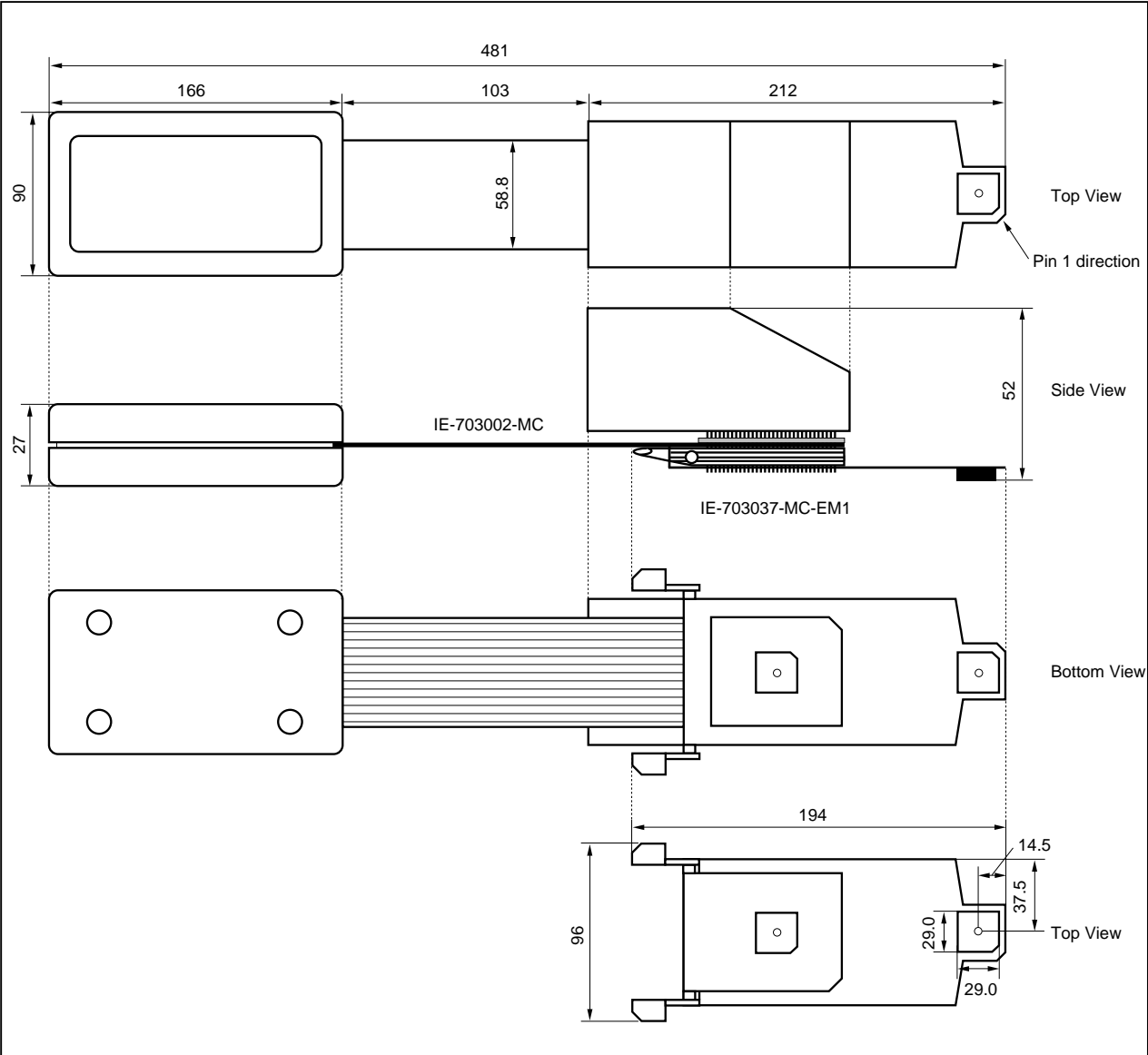
Pin Name	Internal Memory							External Memory					
	Internal ROM		Internal RAM			Internal Peripheral I/O		Emulation RAM			Target System		
	F	R	F	R	W	R	W	F	R	W	F	R	W
A16 to A21	Hold the last accessed address							Active			Active		
AD0 to AD15	Hi-Z							Active			Active		
ASTB	H							Active			Active		
$\overline{R/W}$	H							Active			Active		
\overline{DSTB}	H							H			Active		
\overline{LBEN}	H							Active			Active		
\overline{UBEN}	H							Active			Active		
\overline{WAIT}	Invalid							Maskable			Maskable		
\overline{HLDRQ}	Maskable							Maskable			Maskable		
\overline{HLDAK}	H or L							H or L			H or L		
\overline{WRL}	H							H			H		Note
\overline{WRH}	H							H			H		Note
\overline{RD}	H							H			Note		H

Note Active

- Remarks**
1. F: Fetch
R: Read
W: Write
 2. H: High-level output
L: Low-level output
Hi-Z: High-impedance

APPENDIX PACKAGE DRAWINGS

IE-703002-MC + IE-703037-MC-EM1 (Unit: mm)



[MEMO]

[MEMO]

[MEMO]

Facsimile Message

Although NEC has taken all possible steps to ensure that the documentation supplied to our customers is complete, bug free and up-to-date, we readily accept that errors may occur. Despite all the care and precautions we've taken, you may encounter problems in the documentation. Please complete this form whenever you'd like to report errors or suggest improvements to us.

From:

Name

Company

Tel.

FAX

Address

Thank you for your kind support.

North America

NEC Electronics Inc.
Corporate Communications Dept.
Fax: 1-800-729-9288
1-408-588-6130

Hong Kong, Philippines, Oceania

NEC Electronics Hong Kong Ltd.
Fax: +852-2886-9022/9044

Asian Nations except Philippines

NEC Electronics Singapore Pte. Ltd.
Fax: +65-250-3583

Europe

NEC Electronics (Europe) GmbH
Technical Documentation Dept.
Fax: +49-211-6503-274

Korea

NEC Electronics Hong Kong Ltd.
Seoul Branch
Fax: 02-528-4411

Japan

NEC Semiconductor Technical Hotline
Fax: 044-548-7900

South America

NEC do Brasil S.A.
Fax: +55-11-6465-6829

Taiwan

NEC Electronics Taiwan Ltd.
Fax: 02-2719-5951

I would like to report the following error/make the following suggestion:

Document title: _____

Document number: _____ Page number: _____

If possible, please fax the referenced page or drawing.

Document Rating	Excellent	Good	Acceptable	Poor
Clarity	<input type="checkbox"/>	<input type="checkbox"/>	<input type="checkbox"/>	<input type="checkbox"/>
Technical Accuracy	<input type="checkbox"/>	<input type="checkbox"/>	<input type="checkbox"/>	<input type="checkbox"/>
Organization	<input type="checkbox"/>	<input type="checkbox"/>	<input type="checkbox"/>	<input type="checkbox"/>