

MNTZ36W Wall Mount Bracket User's Manual

- ❑ Compatible with Digimerge Camera Models: DPZ36W023 / DPZ36W030
- ❑ Compatible with Accessories: MNTZ36R (Corner Mount) / MNTZ36P (Pole Mount)

Usage Cautions and Warnings

Please read through the User Manual and all safety instructions prior to use.

- All the safety and operating instructions should be read before installing. Follow all operating instructions.
- Installation must be performed by a trained professional.
- Do not use the product with cameras other than the recommended models.
- The mounting has to be installed onto a firm and stable location that can support the weight of the camera and mount. Ensure all parts are completely secured.
- Do not use this product for other purposes

Product Characteristics

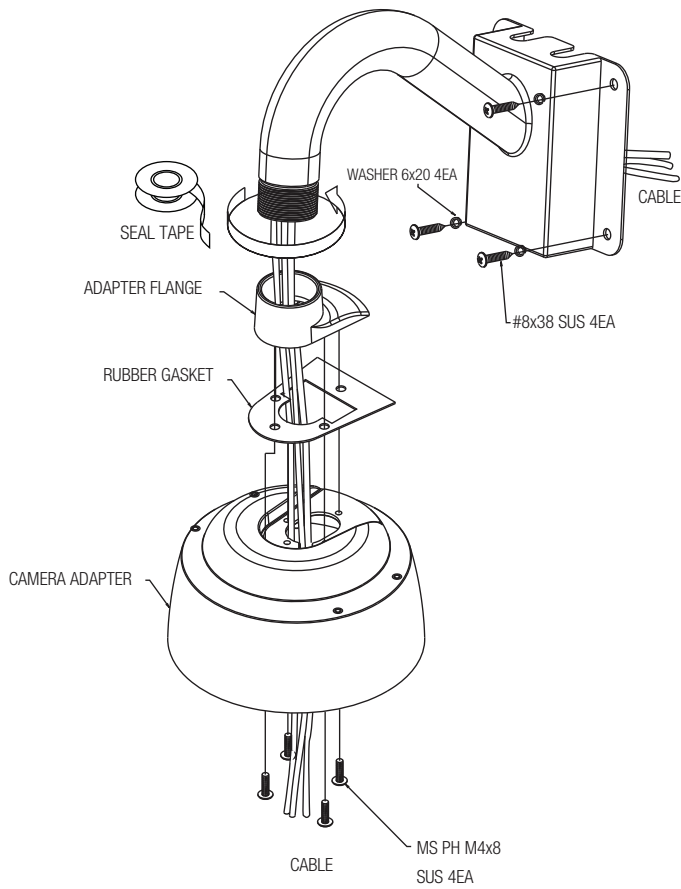
This product has been designed to be used in the installation of speed dome cameras. This product has been fabricated using strong, corrosion-free aluminum alloy material.

Prior To Installation

Avoid installing the mounting onto an unstable structure such as a gypsum wall panel. Install the mounting onto a strong structure such as a concrete wall, steel beam, etc. Use concrete screws with plugs or other installation tools when installing the mount onto a concrete structure. Make sure that all the screw parts are metallic.

Avoid screwing too close to the edge of a piece of wood when screwing into a wooden structure.

Installation

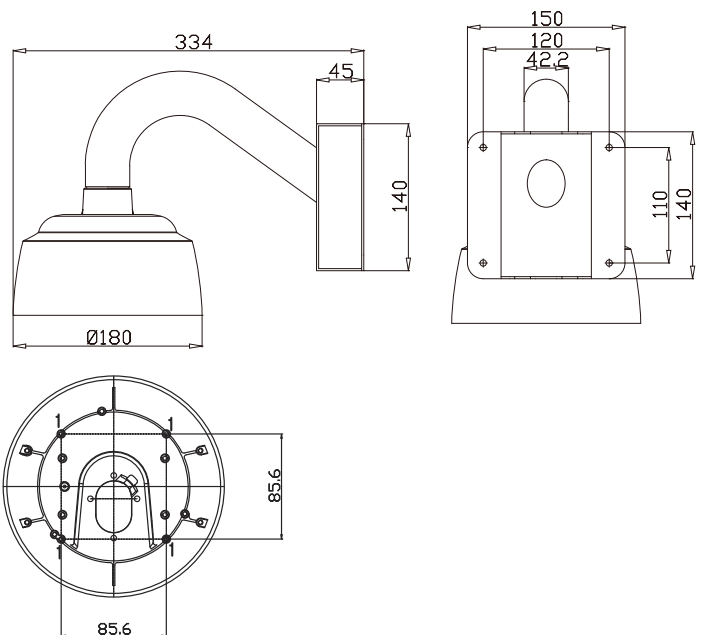


- ① Drill holes in the surface for the cables and mounting screws and run the cables through the cable hole.
- ② Run the cables through the mount and attach the mount to the surface using the 8x38 screws (4ea) and 6x20 washers (4ea). Wrap seal tape around the thread at the bottom of the mount.
- ③ Insert the rubber gasket between the camera adapter and the adapter flange and connect the adapter flange to the camera adapter using the PH M4x8 screws (4ea). Run the cables through the camera adapter assembly, and screw the camera adapter assembly onto the mount.
- ④ Install the camera into the camera adapter (see instructions on back of sheet).

Description

- Aluminum & Steel body
- Unit : 1.4Kg

Dimensions



NOTE: Camera installation requires the M4x12 mounting screws supplied with the camera. Make sure the o-rings are attached to the mounting screws and dome cover torx screws to prevent water ingress.

Accessories

No	Part Name	Q'ty
1	SCREW 8x38 (SUS)	4
2	WASHER 6x20	4
3	SEAL TAPE (12mm)	1
4	SCREW PH M4x8 (SUS)	4
5	RUBBER GASKET (SILICON)	1

MNTZ36W Wall Mount Bracket User's Manual

ATTENTION: Make sure the o-rings are attached to the mounting screws and dome cover torx screws to prevent water ingress.

Installing the camera into the camera adapter:

- ① Connect the cables inside the camera adapter.
- ② Loosen the dome cover torx screws (3ea) and remove the dome cover from the camera base.
- ③ Mount the camera base to the #1 holes in the camera adapter using the M4x12 screws (4ea) supplied with the camera with o-rings attached.
- ④ Attach the dome cover to the camera base using the dome cover torx screws (3ea) with o-rings attached.

