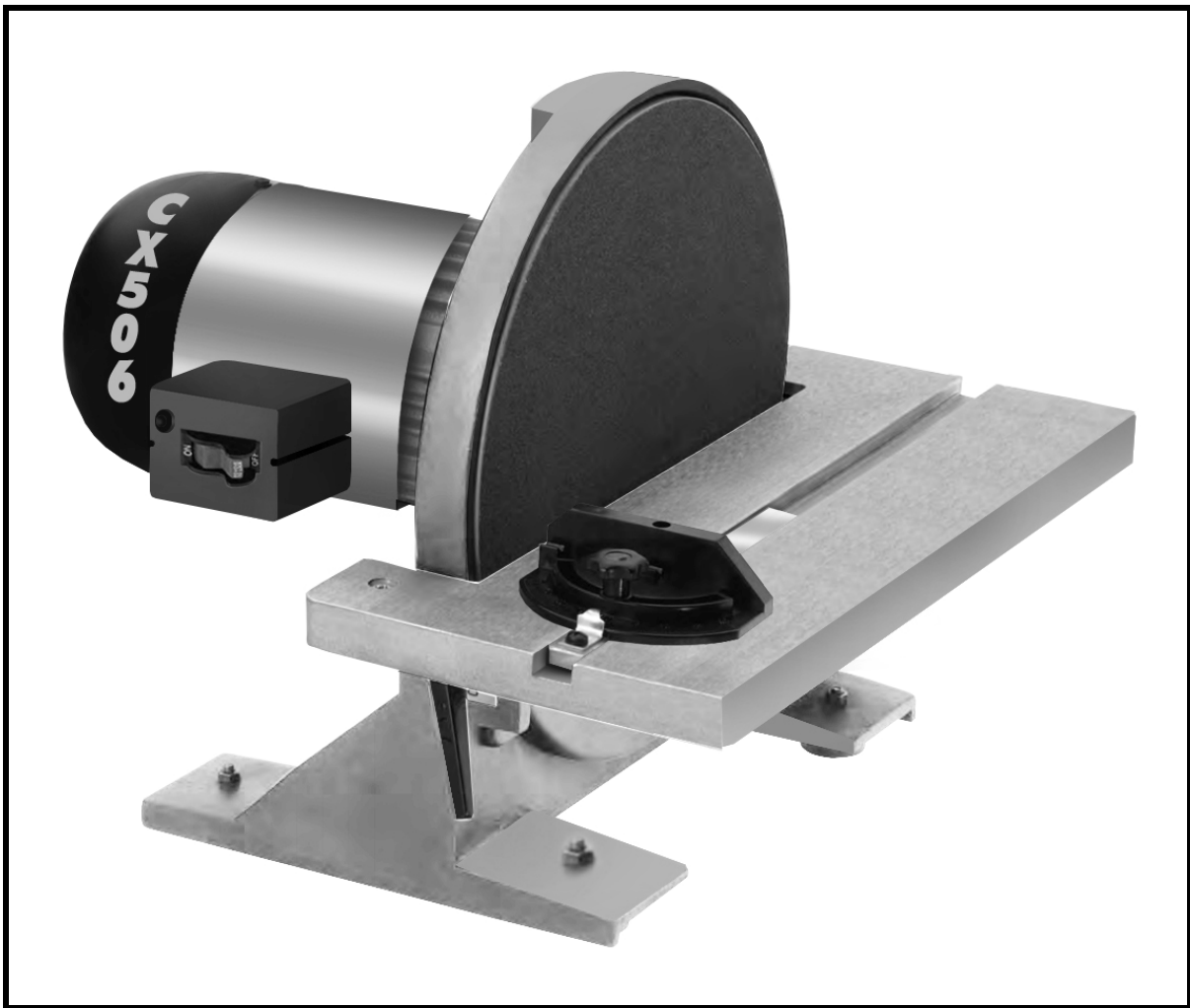




CX506

12" DISC SANDER

User Manual (March 24th, 2014)



COPYRIGHT © 2014 BY CRAFTEX INDUSTRIES INC.

NO PORTION OF THIS MANUAL MAY BE PRODUCED WITHOUT THE WRITTEN CONSENT OF CRAFTEX INDUSTRIES INC.



TABLE OF CONTENTS

General Safety Instructions.....	3
Specific Safety Instructions.....	4
CX506 Features.....	5
Physical Features	6
Unpacking.....	7
Workbench Load.....	7
Clean Up.....	7
Proper Grounding	8
Mounting On A Workbench.....	9
Switch Disabling Key	9
Test Run	10
Table Tilt Adjustment	10
Miter Gauge	11
Attaching Sandpaper	11
Miter Sanding.....	12
Angle Sanding	12
Maintenance	13
Cleaning.....	13
Parts Diagram.....	14
Parts List.....	15
Warranty	16

GENERAL SAFETY INSTRUCTIONS FOR MACHINES

Extreme caution should be used when operating all power tools. Know your power tool, be familiar with its operation, read through the user manual and practice safe usage procedures at all times.

- ❖ **ALWAYS** read and understand the user manual before operating the machine.
- ❖ **CONNECT** your machine ONLY to the matched and specific power source.
- ❖ **ALWAYS** wear safety glasses respirators, hearing protection and safety shoes, when operating your machine.
- ❖ **DO NOT** wear loose clothing or jewelry when operating your machine.
- ❖ **A SAFE ENVIRONMENT** is important. Keep the area free of dust, dirt and other debris in the immediate vicinity of your machine.
- ❖ **BE ALERT! DO NOT** use prescription or other drugs that may affect your ability or judgment to safely use your machine.
- ❖ **DISCONNECT** the power source when changing drill bits, hollow chisels, router bits, shaper heads, blades, knives or making other adjustments or repairs.
- ❖ **NEVER** leave a tool unattended while it is in operation.
- ❖ **NEVER** reach over the table when the tool is in operation.
- ❖ **ALWAYS** keep blades, knives and bits sharpened and properly aligned.
- ❖ **ALL OPERATIONS MUST BE** performed with the guards in place to ensure safety.
- ❖ **ALWAYS** use push sticks and feather boards to safely feed your work through the machine and clamp the work-piece (when necessary) to prevent the work-piece from any unexpected movement.
- ❖ **ALWAYS** make sure that any tools used for adjustments are removed before operating the machine.
- ❖ **ALWAYS** keep the bystanders safely away while the machine is in operation.
- ❖ **NEVER** attempt to remove jammed cutoff pieces until the saw blade has come to a full stop.

CX506 – 12" DISC SANDER

SPECIFIC SAFETY INSTRUCTIONS

- ❖ Read and follow all the instructions and safety precautions in the user manual before setup or use.
- ❖ For the protection of your eyes, always wear safety glasses, goggles or face shield while operating the sander.
- ❖ Never touch the moving sanding disc. Keep your hands and fingers away from the moving sanding disc. If the work-piece is small or difficult to hold, use work-piece holding fixture.
- ❖ Always support the work-piece on the work table against the rotation direction of the sanding disc.
- ❖ All guards must be in place while operating the sander to avoid any injuries.
- ❖ Always feed the stock smoothly against the rotation of the sanding disc. Do not use excessive force while operation.
- ❖ Always sand work-pieces which are stable and if you have any doubt about the stability of the material, do not sand it.
- ❖ Make sure before making any adjustments, the switch is in the "OFF" position and the cord is un-plugged.
- ❖ Never leave the sander unattended while it is running.
- ❖ Do not use the sanding discs that are damaged or if the adhesive is not sticking firmly. If the sanding disc comes off during operation, it might cause damage to the work-piece or injury to the operators fingers.
- ❖ Make sure to position the work table in a position where the gap between the sanding disc and the table does not exceed 3mm.
- ❖ Do not wear loose clothing, neckties, jewelry or gloves that can get caught in moving parts. Confine long hair and keep sleeves above the elbow.
- ❖ Make sure you have read and understood all the safety instructions in the manual and you are familiar with your sander, before operating it. If you fail to do so, serious injury could occur.

WARNING!

The safety instructions given above can not be complete because the environment in every shop is different. Always consider safety first as it applies to your individual working conditions.



CX506 – 12" DISC SANDER

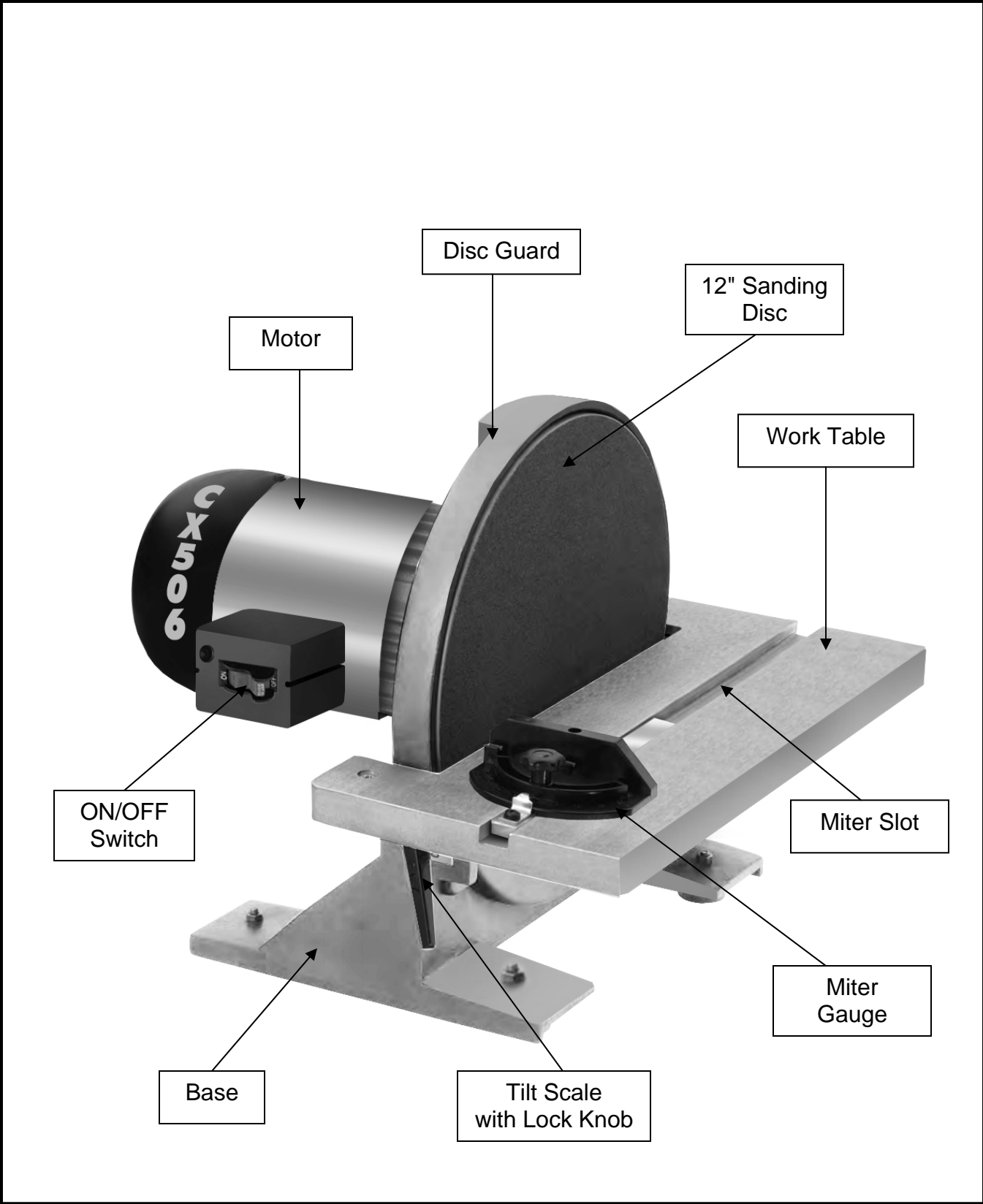
FEATURES

MODEL CX506 – 12" DISC SANDER

As part of the growing line of Craftex CX-Series woodworking equipment, we are proud to offer the CX506 a 12" Disc Sander. By following the instructions and procedures laid out in this user manual, you will receive years of excellent service and satisfaction. The CX506 is a professional tool and like all power tools, proper care and safety procedures should be adhered to.

- Motor..... 1.2-HP, 120-V, 60-Hz, 8.0 Amps, Single Phase
- Disc Speed 1750 RPM
- Power Switch ON/OFF with Removable Locking Key
- Disc Diameter 12"
- Table Size 16-3/8" x 6-7/8"
- Table Tilt 0 - 45°
- Table Height 7"
- Dust Port Size..... 2"
- Miter Gauge Yes
- Gross Weight 63 lbs
- Warranty 3 Years

PHYSICAL FEATURES



UNPACKING

The machine is properly packaged and shipped in a carton for safe transportation. When unpacking, carefully inspect the carton and ensure that it has not been damaged during transit. Open the carton and check that the machine and the parts are in good condition.

DESCRIPTION	QTY
• Sander.....	1 pc
• 12" Sanding Disc.....	1 pc
• Miter Gauge	1 pc
• User Manual.....	1 pc

NOTE: While doing inventory, if you can not find any part, check if the part has already been installed on the machine. Some parts come pre-assembled for shipping purposes.

WORKBENCH LOAD

CX506 sander is not very heavy. If using a workbench, make sure to place the sander on a workbench that has the capacity to support the weight of the CX506 sander.

CLEAN UP

The unpainted surfaces of the machine are coated with a rust preventive waxy oil to prevent corrosion during shipment and storage. You will need to clean up this oil before operating the machine.

Put some cleaner or degreaser on the unpainted areas where rust preventive oil is and leave it for 5 minutes.

Use a rag and wipe off the oil. If the oil does not wipe off, repeat the above steps 2 to 3 times. Once the unpainted surfaces are clean, use metal protectant to prevent from rust.

PROPER GROUNDING

Grounding provides a path of least resistance for electric current to reduce the risk of electric shock.

Make sure the cord is plugged into a properly installed and grounded power outlet. To prevent electrical hazards, have a qualified electrician ensure that the line is properly wired.

Make sure that the sander is connected to an outlet having the same configuration as the plug. If an adaptor plug is used, it must be attached to the metal screw of the receptacle.

It is strongly recommended not to use extension cords with your CX506. Always try to position your machine close to the power source so that you do not need to use extension cords.

If you really find it necessary to use an extension cord, make sure the extension cord does not exceed 50-feet in length and the cord is 14-gauge to prevent motor damage.

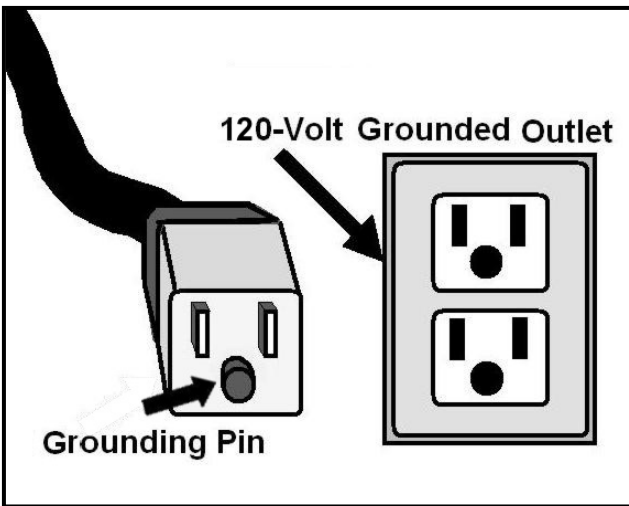


Figure-1 120-volts outlet for CX506

WARNING!

Improper connection of the equipment-grounding conductor can result in a risk of electric shock. Check with a qualified electrician if you are in doubt as to whether the outlet is properly grounded.

MOUNTING ON A WORKBENCH

The CX506 features four pre-drilled holes on its base which allow mounting the sander to the workbench.

There are two ways to mount the sander onto the workbench; through mount and direct mount.

"Through Mount" is the strongest mounting option where the holes are drilled all the way through the workbench. Hex bolts, washers and hex nuts are used to secure the sander to the workbench. See figure-2.

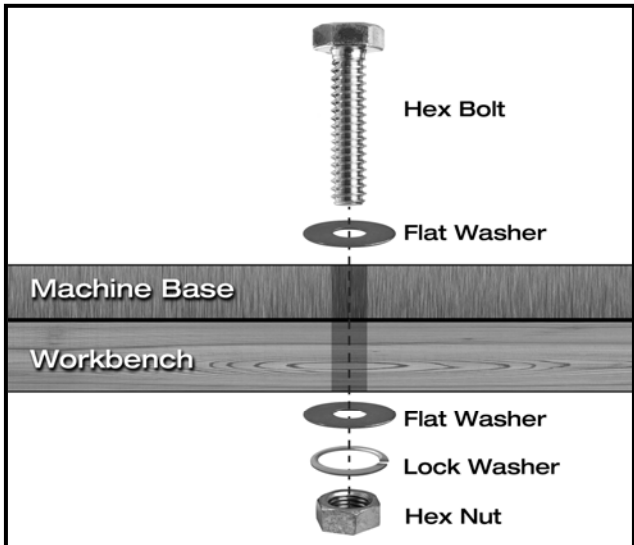


Figure-2 Through Mount

"Direct Mount" is to simply secure the sander to the workbench using lag screws. See figure-3.

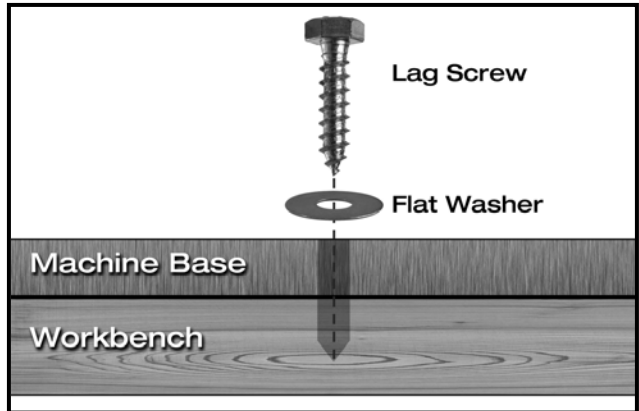


Figure-3 Direct Mount

SWITCH DISABLING KEY

The CX506 features a switch disabling key which prevents from unauthorized use.

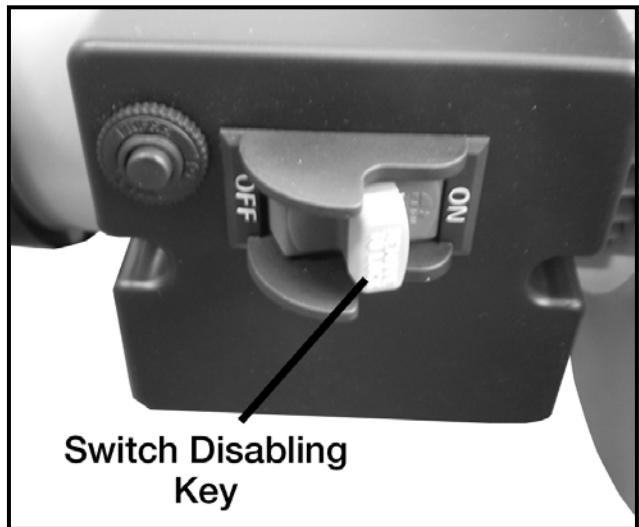


Figure-4 Switch disabling key removed

When the machine is not used for a longer period of time, simply remove the switch disabling key and the ON/OFF switch will not work without it. To enable the switch, insert the key back to its place and you will then be able to turn ON the machine.

TEST RUN

Once you have mounted your machine, it is then time for a test run to make sure that the machine works properly and is ready for operation.

To test run the machine:

Make sure you have read and understood the instructions given in the manual.

Remove and clear away all the tools and objects from the machine.

Rotate the disc by hand and make sure it is not contacting the table edge.

Connect the cord to the power source and turn ON the machine.

During the test run if there is any unusual noise coming from the machine or the machine vibrates excessively, shut off the machine immediately and disconnect the cord from the power source. Check all the parts you have assembled, once again and investigate to find out the problem.

If the machine runs smoothly with little or no vibration, then it is operating correctly.

Turn OFF the sander.

Remove the switch disabling key from the ON/OFF switch.

Try to turn ON the machine.

If the machine starts, immediately stop the machine and unplug the cord from the power source. Do not run the machine until this safety feature is fixed.

If the machine does not run, it means the switch disabling key is working properly and test is complete.

TABLE TILT ADJUSTMENT

The table on CX506 can be positioned from 0° to 45° at any angle, for angled sanding.

To adjust the table tilt to 90° with the disc:

Disconnect the cord from the power source.

Place a machinist square with its one edge on the table surface and the other edge touching the face of the disc. See figure-9.

Loosen the lock levers under the table and adjust the table so that it is perfectly perpendicular to the sanding disc and retighten the lock levers.

Adjust the stop bolt and tighten in position. If you want to adjust the table to an angle less than 90°, remove the stop bolt.

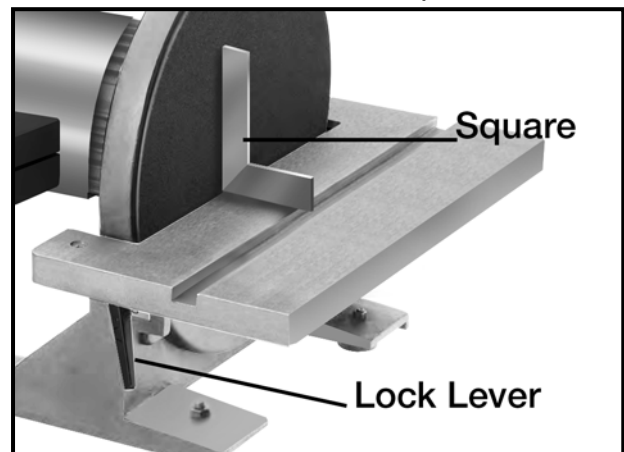


Figure-5 Table tilt

MITER GAUGE

The miter gauge needs to be adjusted perpendicular to the face of the table slot when it is mounted to the table slot.

To adjust the miter gauge:

Position the miter gauge on the table and mount it to the table slot.

Loosen the adjusting screw on the miter gauge and make it flush with the edge of the square.

Loosen the screws securing the angle pointer and adjust the pointer to 0° mark.

Tighten the screw that secures the angle pointer.

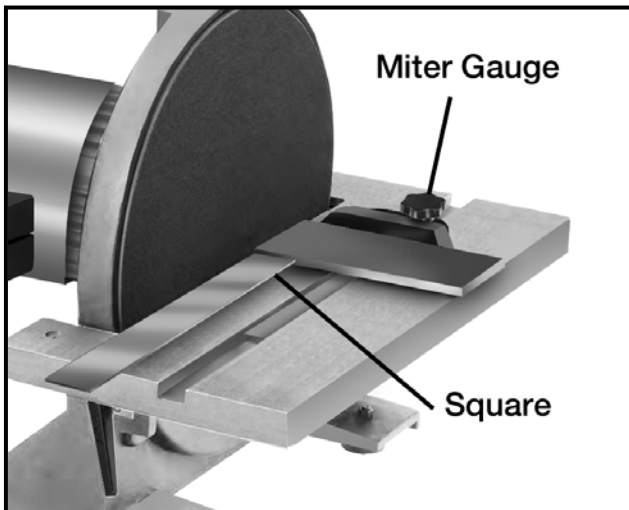


Figure-6 Adjusting miter gauge

ATTACHING SANDPAPER

The CX506 comes with a 12" sanding disc, attached to the cast iron disc platen with its adhesive backing.

To attach the sandpaper:

Disconnect the cord from the power source.

Peel off the old sandpaper, and clean the platen disc surface and make sure it is dry.

Peel off the protective layer on one-half of the sandpaper disc and fold it against the remaining half.

Slip the half with protective layer between the table edge and the platen disc.

Position the sandpaper on the platen disc so that it is centered and press it so that the exposed half is sticking on the platen disc.

Rotate the platen disc with hand so that the half with protective layer is above the table. Peel off the remaining protective layer and press to attach the sandpaper to the platen disc.

MITER SANDING

To get a perfect miter, cut the work-piece slightly longer and sand it to the desired dimension.

To perform miter sanding:

Loosen the lock knob on the miter gauge and adjust the miter gauge to the desired angle.

Slide the miter gauge into its slot on the table.

Place the work-piece on the table with one of its surfaces against the miter gauge and other against the sanding disc.

Now, hold the work-piece firmly with the miter gauge and push it lightly into the down-spin side of the rotating sanding disc. See figure-7.

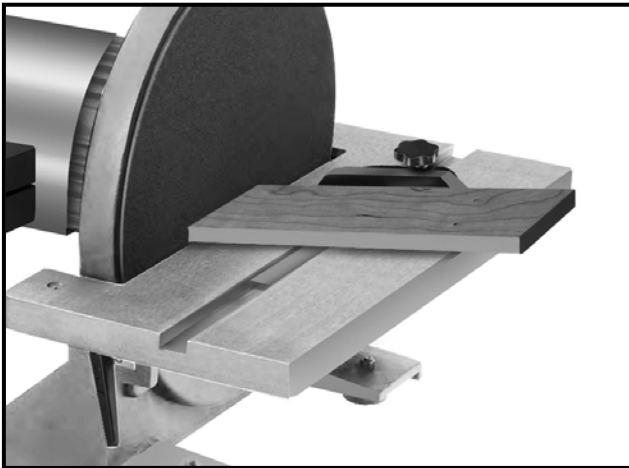


Figure-7 Miter sanding

ANGLE SANDING

The CX506 features a table which can be positioned from 0° to 45° at any angle for angled sanding.

To perform angled sanding:

Loosen position the table at the desired angle shown on the scale under the table.

Hold the work-piece firmly with the miter gauge and push it into the down-spin side of the sanding disc with light pressure.

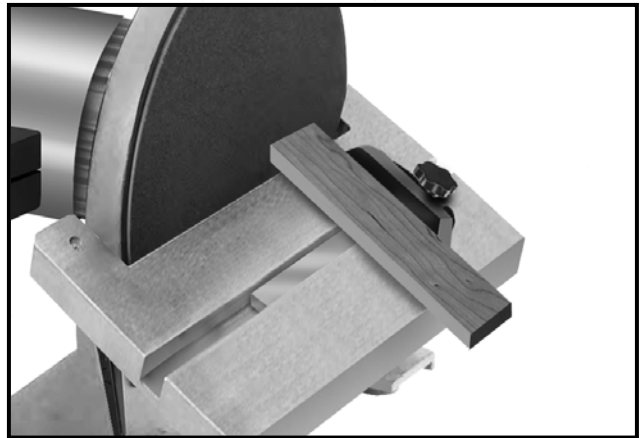


Figure-8 Angle sanding

WARNING!

Make sure the machine is turned off and the cord is disconnected from the power source before servicing and removing/replacing any components on the machine.

MAINTENANCE

During the life of your machine, you will need to practice some regular maintenance to keep your sander in peak performance condition.

WARNING!

Make sure the machine is turned OFF and the cord is disconnected from the power source before servicing and removing/replacing any components on the machine.

CHECK THE SANDER DAILY FOR:

Loose mounting bolts

Worn or damaged power cord

Loose or damaged sanding disc

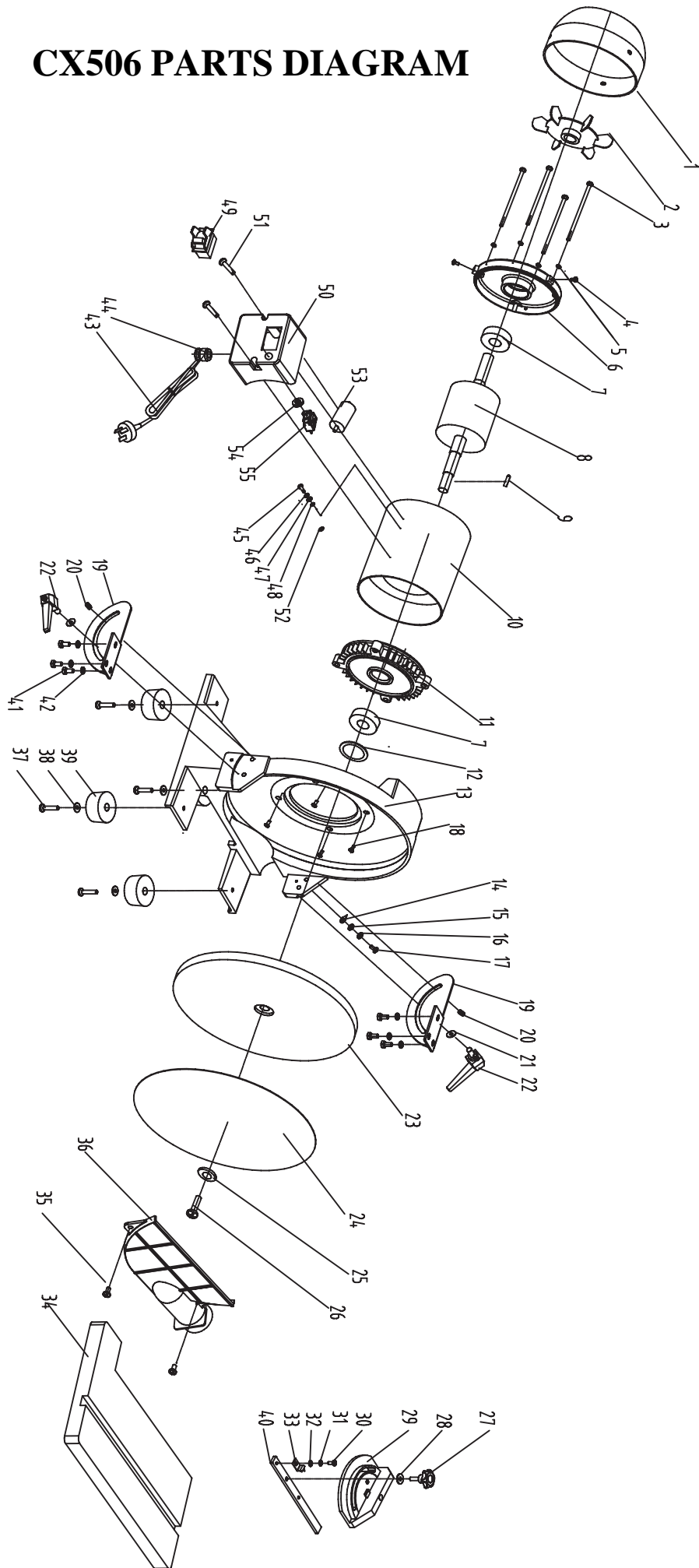
Any other unsafe condition

CLEANING

Wipe off the sawdust built up from the table surface and vacuum the dust from the motor fan area.

The moisture from the wood dust remaining on the table surface can cause rust. The table and other un-painted surfaces of the machine should be cleaned and wiped after every use to make sure that there is no moisture against bare metal surfaces. Then seal with an aerosol or paste wax.

CX506 PARTS DIAGRAM



CX506 PARTS LIST

PART	DESCRIPTION	Q'TY		PART	DESCRIPTION	Q'TY
1	Fan Cover	1		29	Mitre Gauge	1
2	Fan	1		30	Philips Screw M5*6	1
3	Hex Screw M5X172	4		31	Spring Washer D5	1
4	Philips Screw M4X8	3		32	Flat Washer D5	1
5	Flat Washer D5	3		33	Pointer	1
6	End Caps	1		34	Working Table	1
7	Ball Bearing	2		35	Philips Screw M6*20	2
8	Rotor	1		36	Dust Cover	1
9	Key A5*25	1		37	Philips Screw M6*16	4
10	Stator	1		38	Big Flat Washer D6	4
11	Front End Cap	1		39	Rubber Foot	4
12	Wavy Washer D47	1		40	Rod	1
13	Base	1		41	Hex Bolt M6X10	6
14	Pointer	1		42	Flat Washer	6
15	Toothed Washer	1		43	Power Cord	1
16	Flat Washer D4	1		44	Strain Relief	1
17	Philips Screw M4*8	1		45	Philips Screw M4*8	1
18	Philips Screw M8*25	4		46	Spring Washer D4	1
19	Dial	2		47	Flat Washer D4	1
20	Positioning shaft	2		48	Toothed Washer D4	1
21	Big Flat Washer D6	2		49	Lock Switch	1
22	Locking Handle Assy.	2		50	Connecting Box	1
23	Disc	1		51	Philips Screw M4X35	2
24	Disc Paper	1		52	Grounding Mark	1
25	Sanding Pad	1		53	Capacitor 25 μ F/450V	1
26	Philips Screw M6*20	1		54	Reset Switch	1
27	Mitre Gauge Knob	1		55	Locking Nut	1
28	Big Flat Washer D6	1				



WARRANTY

CRAFTEX 3 YEARS LIMITED WARRANTY

Crafter warrants every product to be free from defects in materials and agrees to correct such defects where applicable. This warranty covers **three years** for parts and 90 days for labour (unless specified otherwise), to the original purchaser from the date of purchase but does not apply to malfunctions arising directly or indirectly from misuse, abuse, improper installation or assembly, negligence, accidents, repairs or alterations or lack of maintenance.

Proof of purchase is necessary.

All warranty claims are subject to inspection of such products or part thereof and Crafter reserves the right to inspect any returned item before a refund or replacement may be issued.

This warranty shall not apply to consumable products such as blades, bits, belts, cutters, chisels, punches etceteras.

Crafter shall in no event be liable for injuries, accidental or otherwise, death to persons or damage to property or for incidental contingent, special or consequential damages arising from the use of our products.

RETURNS, REPAIRS AND REPLACEMENTS

To return, repair, or replace a Crafter product, you must visit the appropriate Busy Bee Tools showroom or call 1-800-461-BUSY. Crafter is a brand of equipment that is exclusive to Busy Bee Tools.

For replacement parts directly from Busy Bee Tools, for this machine, please call 1-800-461-BUSY (2879), and have your credit card and part number handy.

- All returned merchandise will be subject to a minimum charge of 15% for re-stocking and handling with the following qualifications.
- Returns must be pre-authorized by us in writing.
- We do not accept *collect* shipments.
- Items returned for warranty purposes must be insured and shipped pre-paid to the nearest warehouse
- Returns must be accompanied with a copy of your original invoice as proof of purchase. Returns must be in an un-used condition and shipped in their original packaging a letter explaining your reason for the return. Incurred shipping and handling charges are not refundable.
- Busy Bee will repair or replace the item at our discretion and subject to our inspection.
- Repaired or replaced items will be returned to you pre-paid by our choice of carriers.
- Busy Bee reserves the right to refuse reimbursement or repairs or replacement if a third party without our prior authorization has carried out repairs to the item.
- Repairs made by Busy Bee are warranted for 30 days on parts and labour.
- Any unforeseen repair charges will be reported to you for acceptance prior to making the repairs.
- The Busy Bee Parts & Service Departments are fully equipped to do repairs on all products purchased from us with the exception of some products that require the return to their authorized repair depots. A Busy Bee representative will provide you with the necessary information to have this done.
- For faster service it is advisable to contact the nearest Busy Bee location for parts availability prior to bringing your product in for repairs.