

SV231DD2DUA
SV431DD2DUA
Instruction Manual

Dual DVI USB KVM Switch

**2/4-Port Dual DVI, USB
KVM Switch with Audio and
USB 2.0 Hub**



FCC Compliance Statement

This equipment has been tested and found to comply with the limits for a Class B digital device, pursuant to part 15 of the FCC Rules. These limits are designed to provide reasonable protection against harmful interference in a residential installation. This equipment generates, uses and can radiate radio frequency energy and, if not installed and used in accordance with the instructions, may cause harmful interference to radio communications. However, there is no guarantee that interference will not occur in a particular installation. If this equipment does cause harmful interference to radio or television reception, which can be determined by turning the equipment off and on, the user is encouraged to try to correct the interference by one or more of the following measures:

- Reorient or relocate the receiving antenna.
- Increase the separation between the equipment and receiver.
- Connect the equipment into an outlet on a circuit different from that to which the receiver is connected.
- Consult the dealer or an experienced radio/TV technician for help.

Use of Trademarks, Registered Trademarks, and other Protected Names and Symbols

This manual may make reference to trademarks, registered trademarks, and other protected names and/or symbols of third-party companies not related in any way to StarTech.com. Where they occur these references are for illustrative purposes only and do not represent an endorsement of a product or service by StarTech.com, or an endorsement of the product(s) to which this manual applies by the third-party company in question. Regardless of any direct acknowledgement elsewhere in the body of this document, StarTech.com hereby acknowledges that all trademarks, registered trademarks, service marks, and other protected names and/or symbols contained in this manual and related documents are the property of their respective holders.

Table of Contents

Introduction	1
Packaging Contents.....	1
System Requirements	1
Installation	1
Hardware Installation.....	2
Driver Installation.....	4
Operation	4
Front Panel	4
Rear Panel (SV431DD2DUA only)	5
HotKey Control	6
Alternative Hotkey Commands	8
Change Leading Hotkey	9
Specifications	10
Technical Support	11
Warranty Information	11

Introduction

Packaging Contents

- 1 x SV231DD2DUA or SV431DD2DUA KVM switch
- 1 x Power Adapter
- 1 x Instruction Manual

System Requirements

- DVI enabled computer system/video card
- USB enabled computer system
- DVI enabled display devices (e.g. monitor, projector, TV, etc.)
- A standard 104-key wired USB keyboard
- A standard 3-button wired USB mouse

Installation

NOTE: Prior to the installation, please power off all devices that will be connected to this system.

Ensure that all devices you will connect are properly grounded.

Place cables away from fluorescent lights, air conditioners, and machines that are likely to generate electrical noise.

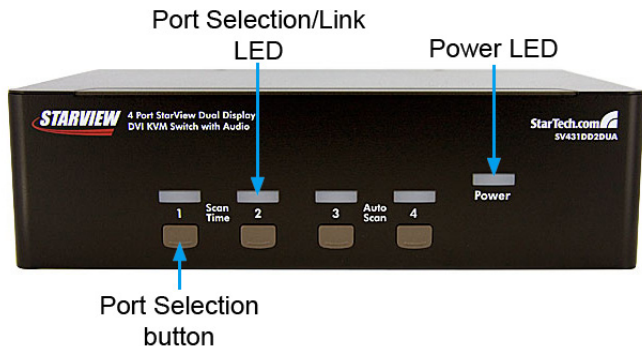
If you experience any problems using a USB KVM switch, the following BIOS setup changes may be necessary for PC users and not necessary for Mac users:

- Set HALT ON ERROR to ALL BUT KEYBOARD.
- In PNP AND PCI SETUP, set PNP OS INSTALLED to YES and set USB IRQ to ENABLED.

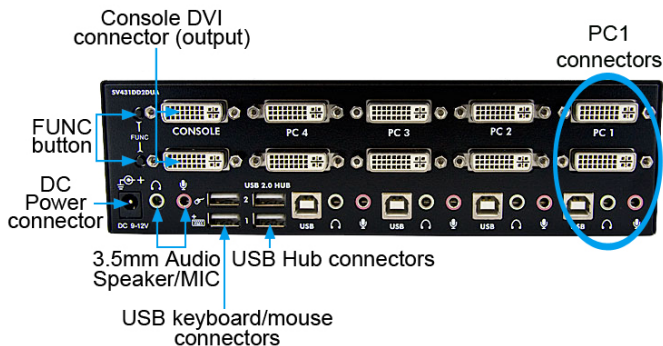
Different systems may use different naming, so contact your system manufacturer for further assistance with these settings.

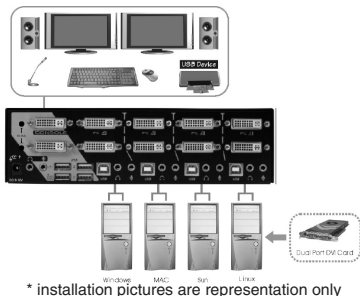
Hardware Installation

Front View (SV431DD2DUA shown)



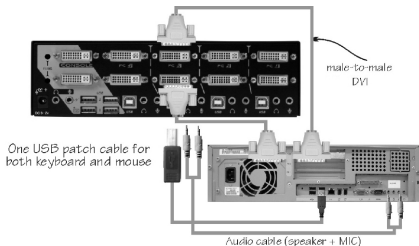
Rear View (SV431DD2DUA shown)





1. Plug 1 or 2 monitor(s) into the Console side DVI connector(s); plug a USB keyboard and a USB mouse into the dedicated USB keyboard and mouse ports on the KVM switch.
2. Use a male-to-male DVI video cable to connect the DVI connector(s) on the computer's video card, to one of the KVM's PC ports (ie. PC1). A dedicated DVI, USB and audio 4-in-1 KVM cable can be used (ie. StarTech.com ID: USBDVI4N1A6).
3. Use a USB type A-B Cable to connect the KVM's USB port (type B, square connector) for the PC port used in Step 2, and the USB port on the computer (type A, flat connector).
4. Repeat for Steps 2 and 3 for each PC port on the KVM switch, or each computer you wish to use on the KVM.

NOTE: Make sure that you have connected monitor(s) into the Console's DVI port(s) before plugging/unplugging the PC's video connector(s).



Driver Installation

No driver installation is required for the KVM switch, as the keyboard and mouse uses native USB keyboard/mouse drivers that are already installed on all operating systems that fully support USB.

Operation

Front Panel

Port Selection/Link LED

The LED turns green when the connected computer is powered-on. The corresponding LED will also illuminate red when that PC port is currently selected.

Port Selection Button

Pushing the front panel “Select” button toggles between the PC ports on the KVM switch.

Auto Scan

The KVM automatically scans through the powered-on computers in sequence on a fixed time interval (see Scan Time below).

To activate Auto Scan, press down front panel push buttons “3” and “4” simultaneously. The port LED flashes during Auto Scan. Auto Scan is effective for powered-on computers only. To exit the Auto Scan mode, just tap any one of the push buttons. **(SV431DD2DUA only)**

NOTE: When Auto Scan detects any keyboard activity, it suspends the scanning until the activity stops; it then resumes with the next computer in sequence. The length of the Auto Scan interval (Scan Rate) is adjustable, see below.

Scan Time

Four options are available for users to set the Scan Time duration, which includes 3, 8, 15 and 30 seconds.

To change the Scan Time interval, press both front panel buttons “1” and “2” simultaneously. The unit beeps 1, 2, 3 or 4 times for Scan Time of 3, 8, 15 or 30 seconds respectively. **(SV431DD2DUA only)**

NOTE: Scan Time is automatically set to the default of 3 seconds when the units loses power.

Rear Panel (SV431DD2DUA only)

To adjust the video signal strength/equalization settings for the length or quality of DVI cable being used, the “FUNC” button combined with the front panel push buttons can be used.

1. Press “FUNC” button three times, and the LED for “POWER” will start to flash once per second.
2. Press front panel push button “1” one or two times to adjust the signal equalization with one beep (normal) or two beeps (enhance) respectively.
or
Press front panel push button “3” one or two times to adjust the video signal output current with one beep (normal) or two beeps (enhance) respectively.
or
Press front panel push button “4” one, two, three, or four times to adjust the output emphasis with one beep (no pre-emphasis), two beeps (low pre-emphasis), three beeps (medium pre-emphasis), or four beeps (high pre-emphasis).
2. Once the settings have been adjusted, press the “FUNC” button one time to exit this mode.

HotKey Control

A Hotkey command is a short keyboard sequence for selecting a computer, activating computer scan, etc. A hotkey sequence starts with two left <CTRL> keystrokes (successively within 0.2 seconds) followed by one or two more keystrokes. A high-pitch beep will be generated for each correct hotkey command; otherwise, one low-pitch beep is generated for errors and the bad key sequence will not be forwarded to the selected computer.

NOTE: Press and hold Left <SHIFT> and press <NumLock> twice, then release <SHIFT> followed by pressing left <CTRL> once, which will enable / disable the hotkey feature.

To select a computer:

Left <CTRL> + Left <CTRL> + <1>
(Example: Selects the computer at port 1.)

Left <CTRL> + Left <CTRL> + <2>
(Example: Selects the computer at port 2.)

NOTE: Do not use the keypad on the right-side of the keyboard.

Auto Scan

The KVM automatically scans through the powered-on computers in sequence on a fixed time interval (see Scan Time below).

To start Auto Scan:

Left <CTRL> + Left <CTRL> + <F1>

To abort the Auto Scan mode, press the left <CTRL> key twice.

NOTE: When Auto Scan detects any keyboard activity, it suspends the scanning until the activity stops; it then resumes with the next computer in sequence. The length of the Auto Scan interval (Scan Rate) is adjustable, see below.

Manual Scan allows users to manually switch back and forth between powered-on computers.

Left <CTRL> + Left <CTRL> + <F2>

To select the previous or the next computer, press <UP> or <DOWN> arrow keys. To abort the Manual Scan, press any other key.

Scan Time

Four options are available for users to set the Scan Time duration, it includes 3, 8, 15 and 30 seconds.

Note: Scan Time is set to 3 seconds by default.

To adjust Scan Rate, set the scan time of duration before switching to the next computer:

Left <CTRL> + Left <CTRL> + <F3>

The KVM Switch generates 1 to 4 beeps indicating a scan time duration for 3, 8, 15 or 30 seconds respectively.

USB-Port Rule

There are two settings for USB-Port Rule: ON or OFF.

When set to 'ON', the USB Hub port follows computer selection.

When set to 'OFF', the USB Hub port stays on the currently selected PC port.

USB 1: pressing the hotkey below to turn ON/OFF the USB-Port Rule:

Left <CTRL> + Left <CTRL> + <F7>

USB 2: pressing the hotkey below to turn ON/OFF the USB-Port Rule:

Left <CTRL> + Left <CTRL> + <F8> (SV431DD2DUA only)

To change the PC port that the USB hub stays on to the currently selected PC port, press the following hotkey:

Left <CTRL> + Left <CTRL> + <U>

NOTE: Please make sure that installation of the USB device has been accomplished before switching to the next computer.

Alternative Hotkey Commands

In addition to the Left <CTRL> + Left <CTRL> hotkeys, there are two alternative hotkey sequences available.

1. For the following operations, users may press <ScrollLock> twice instead of pressing left <CTRL> twice.

To select a computer:

<ScrollLock> + <ScrollLock> + <1>
(Example: Select the computer at port 1.)

<ScrollLock> + <ScrollLock> + <2>
(Example: Select the computer at port 2.)

NOTE: Do not use the keypad at the right of the keyboard.

2. For those keyboards that do not have or support <ScrollLock>, please press and HOLD the Left <SHIFT> and press <NumLock> twice instead of pressing Left <CTRL> twice.

To select a computer:

**hold Left <SHIFT> + press <NumLock> + press <NumLock>
then release <SHIFT> + press <1>**
Example: Select the computer at port 1.)

**hold Left <SHIFT> + press <NumLock> + press <NumLock>
then release <SHIFT> + press <2>**
(Example: Select the computer at port 2.)

NOTE: Do not use the keypad at the right of the keyboard.

Change Leading Hotkey

The default leading hotkey sequence involves pressing the left <CTRL> twice in succession (e.g. left <CTRL> + left <CTRL>). This can be changed to the right <CTRL> key instead, to avoid accidental activation due to using the left <CTRL> key for functions such as Copy/Paste.

To change the leading hotkey sequence to Right <CTRL>:

Left <CTRL> + Left <CTRL> + hold <ALT> + press Right <CTRL>

All hotkey commands that previously required pressing the Left <CTRL> will be switched to requiring the right <CTRL> instead.

To change the leading hotkey sequence back to Left <CTRL>:

Right <CTRL> + Right <CTRL> + hold <ALT> + press Left <CTRL>

Specifications

	SV231DD2DUA	SV431DD2DUA
Number of Ports	2	4
Computer Connectors (per port)	2 x DVI-I female 1 x USB type B 2 x 3.5mm mini-jack	
Console Connectors	2 x DVI-I female 4 x USB type A 2 x 3.5mm mini-jack	
Maximum Video Resolution	Digital: 1920x1200@60Hz Analog: 2048x1536@60Hz	
DDC2B	Yes	
Audio	Yes	
OSD	No	
Cascadable	No	
Switching Modes	Front Panel Buttons, Hotkeys	
Power Adapter	9-12VDC, 1A (included)	
Enclosure Material	Metal	
Dimensions	100.0mm x 160.0mm x 57.0mm	130.0mm x 220.0mm x 60.0mm
Weight	750g	1253g

Technical Support

StarTech.com's lifetime technical support is an integral part of our commitment to provide industry-leading solutions. If you ever need help with your product, visit www.startech.com/support and access our comprehensive selection of online tools, documentation, and downloads.

Warranty Information

This product is backed by a three year warranty.

In addition, StarTech.com warrants its products against defects in materials and workmanship for the periods noted, following the initial date of purchase. During this period, the products may be returned for repair, or replacement with equivalent products at our discretion. The warranty covers parts and labor costs only. StarTech.com does not warrant its products from defects or damages arising from misuse, abuse, alteration, or normal wear and tear.

Limitation of Liability

In no event shall the liability of StarTech.com Ltd. and StarTech.com USA LLP (or their officers, directors, employees or agents) for any damages (whether direct or indirect, special, punitive, incidental, consequential, or otherwise), loss of profits, loss of business, or any pecuniary loss, arising out of or related to the use of the product exceed the actual price paid for the product. Some states do not allow the exclusion or limitation of incidental or consequential damages. If such laws apply, the limitations or exclusions contained in this statement may not apply to you.



StarTech.com has been making “hard-to-find easy” since 1985, providing high quality solutions to a diverse IT and A/V customer base that spans many channels, including government, education and industrial facilities to name just a few. We offer an unmatched selection of computer parts, cables, A/V products, KVM and Server Management solutions, serving a worldwide market through our locations in the United States, Canada, the United Kingdom and Taiwan.

Visit **www.startech.com** today for complete information about all our products and to access exclusive interactive tools such as the Cable Finder, Parts Finder and the KVM Reference Guide.