

Hisense

life reimagined

USER'S OPERATION MANUAL

Before operating this unit, please read this manual thoroughly, and retain for future reference

FV341N4AS1

English

Contents

Brief introduction.....	2	Using your appliance.....	12
Important safety instructions.....	2	Helpful hints and tips.....	13
Installing your new appliance.....	5	Cleaning and care.....	14
Description of the appliance.....	9	Troubleshooting.....	15
Display controls.....	10	Disposal of the appliance.....	17

CE notice

This product has been determined to be in compliance with the Low Voltage Directive(2006/95/EC),the Electromagnetic Compatibility Directive(2004/108/EC)and the Eco-Design Directive(2009/125/EC) implemented by Regulation(EC) No 643/2009 of the European Union.

Brief introduction

Thank you for choosing our products. We are sure you will find your new appliance a pleasure to use. Before you use the appliance, we recommend that you read through these instructions carefully, which provides details about its usage and functions.

- Please ensure that all people using this appliance are familiar with its operations and safety features. It is important that you install the appliance correctly and pay attention to the safety instructions carefully.
- We recommend that you keep this user's manual with the appliance for future reference and retain it to give to any future users.

- This appliance is intended to be used in household and similar applications such as:

- Staff kitchen- areas in shops, offices and other working environments;
- Farmhouses by clients in hotels, motels and other residential types of environment;
- Bed and breakfast types of environment.
- Catering and similar non-retail applications.

- If you feel that the appliance is not operating correctly, please check the Troubleshooting page for assistance. If still in doubt contact the customer service help line for assistance or to arrange a call out by an authorized service engineer.

Important safety instructions

General safety and daily use



It is important to use your appliance safely. We recommend that you follow the

guidelines below.

- Store any food in accordance with the storage instructions from the manufacturer.
- Don't try to repair the appliance yourself. It is dangerous to alter the specifications or modify this product in any way. Any damage to the cord may cause short circuit, fire or electric shock.

- Don't place too much food directly against the air outlet on the rear wall of both the refrigerator and freezer compartment, as it affects sufficient air circulation.

- Don't place hot items near the plastic components of this appliance.
- Frozen food must not be refrozen once it has been thawed out.
- Don't store bottled or canned drinks (especially carbonated drinks) in the freezer compartment. Bottles and cans may explode.

- Do not consume ice popsicles or ice cubes straight from the freezer as this can cause freezer burn to the mouth and lips.

WARNING-Do not use mechanical devices or other means to accelerate the defrosting process, other than those recommended by the manufacturer.

WARNING-Do not damage the refrigerant circuit.

WARNING-Do not use electrical appliances inside the food storage compartments of the appliance, unless they are of the type recommended by the manufacturer.

WARNING-If the supply cord is damaged, it must be replaced by the manufacturer, its service agent or similarly qualified persons in order to avoid a hazard.

WARNING-Keep ventilation openings, in the appliance enclosure or in the built-in structure, clear of obstruction.

WARNING-When disposing of the appliance, do so only at an authorized waste disposal centre. Do not expose to flame.

Safety for children and infirm persons



This appliance is not intended for use by persons (including children) with reduced physical, sensory or mental capabilities, or a lack of experience and knowledge, unless they have been given supervision or instruction concerning the use of the appliance by a person responsible for their safety. Children should be supervised to ensure that they do not play with the appliance.

- Keep all packaging away from children to avoid risk of suffocation.
- Protect children from being scalded by touching the very hot compressor at the rear bottom of appliance.
- Don't place items on top of the appliance as this could cause injury should they fall off.
- Never allow children to play with the appliance by hanging or

standing over or on the doors, racks, shelves and drawers etc.

Safety about electricity



To avoid the risks that are always present when using an electric appliance, we recommend that you pay more attention to the instructions about electricity below.

- Unpack the appliance and check through the appliance. Should any damage be evident, don't plug in the appliance but contact the shop immediately from which you purchased it. Keep all packing materials in this case.

- We recommend that you wait for 4 hours before connecting the appliance to allow the refrigerant to flow back into the compressor.

- The appliance must be applied with single phase alternating current of 220~240V/50Hz. If the voltage fluctuates exceeding the upper limit, A.C. automatic voltage regulator of more than 350W should be applied to the refrigerator for safety use.

- The mains plug must be accessible when the appliance is installed.

- This appliance must be earthed.

-This appliance is fitted with a fused plug in accordance with local standard. The fused plug should be suitable for use in all houses fitted with sockets in accordance with current specifications.

-If the fitted plug is not suitable for your socket outlets, it should be cut off and carefully disposed of. To avoid a possible shock hazard, do not insert the discarded plug into a socket. If in doubt contact a qualified, registered electrician.

- Do not use extension cords or multiple sockets which could cause overloading of wiring circuits and could cause a fire.

- Always plug your appliance into its own individual electrical socket which has a voltage rating that matched the rating plate.

- Make sure that the plug is not squashed or damaged. Otherwise, it may cause short circuit, electric shock or overheat and even cause a fire.
- Do not insert the mains plug if the socket is loose, there is a risk of electric shock or fire.
- Switch off the appliance and disconnect it from the mains power before you clean or move it.
- Never unplug the appliance by pulling on the electrical cord. Always grip the plug firmly and pull straight out from the socket to prevent damaging the power cord.
- Do not operate the appliance without the light cover of interior lighting.
- Any electrical component must be replaced or repaired by a qualified electrician or authorized service engineer. Only genuine spares should be used.
- Do not use electrical appliances such as ice cream makers inside the food storage compartments of the appliance, unless they are approved by the manufacturer.
- Do not look direct into the LED light located in the refrigerator compartment with optical instruments to avoid eye injuries. If it is not functioning correctly, consult a qualified, registered electrician or replace it in accordance with the “cleaning and care” chapter.

Refrigerant

The refrigerant isobutene (R600a) is contained within the refrigerant circuit of the appliance, a natural gas with a high level of environmental compatibility, which is nevertheless flammable. During transportation and installation of the appliance, ensure that none of the components of the refrigerant circuit becomes damaged.

The refrigerant (R600a) is flammable.



Caution: risk of fire

- Don't store products which contain flammable propellants (e.g. spray cans) or explosive substances in the appliance.

Should the refrigerant circuit be damaged:

- Avoid open flames (candles, lamps etc.) and sources of ignition.
- Thoroughly ventilate the room in which the appliance is situated.

Installing your new appliance

Before using the appliance for the first time, you should be informed of the following tips.

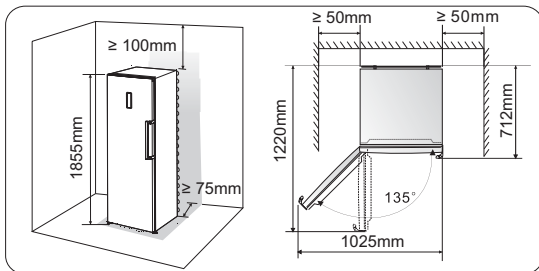
Ventilation of appliance



In order to improve efficiency of the cooling system and save energy, it is necessary to

maintain good ventilation around the appliance for the dissipation of heat. For this reason, sufficient clear space should be available around the refrigerator.

Suggest: It is advisable for there to be at least 75mm of space from the back to the wall, at least 100mm from its top, at least 50mm from its side to the wall and a clear space in front to allow the doors to open 135°. As shown in follow diagrams.



Note:

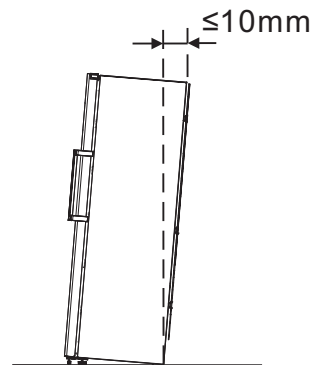
- This appliance performs well within the climate class showed in the table below.
- It may not work properly if being left at a temperature above or below the indicated range for a long period.

Climate class	Ambient temperature
SN	+10°C to +32°C
N	+16°C to +32°C
ST	+16°C to +38°C
T	+16°C to +43°C

- Stand your appliance in a dry place to avoid high moisture.
- Keep the appliance out of direct sunlight, rain or frost. Stand the appliance away from heat sources such as stoves, fires or heaters.

Leveling of appliance

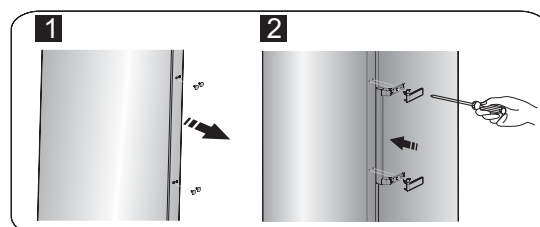
- For sufficient leveling and air circulating in the lower rear section of the appliance, the bottom feet may need to be adjusted. You can adjust them manually by hand or by using a suitable spanner.
- To allow the doors to self-close, tilt the top backwards by about 10mm.



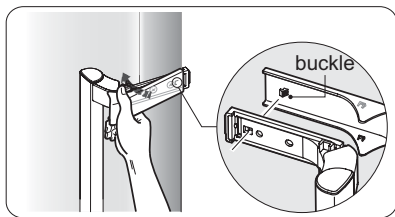
Installing the door handles

For the convenience of transportation, the door handles are separately provided in a plastic bag, you can install the door handles as follows.

1. Lever screw covers on the right side of the door, and then put them back to the plastic bag.
2. Match the handle on the right side of the door, keeping axes of screw holes in the handle and the door in a line, as the picture shows.
3. Fix the handle with the special screws provided in the plastic bag. And then install the handle covers.



Note: Install the handle cover as the follow figure shows :button the buckle firstly , and then close the cover from the inside until you hear the sound of "popping" .

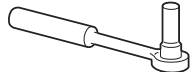

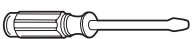



Reversing the door

The side at which the door opens can be changed, from the left side (as supplied) to the right side, if the installation site requires.

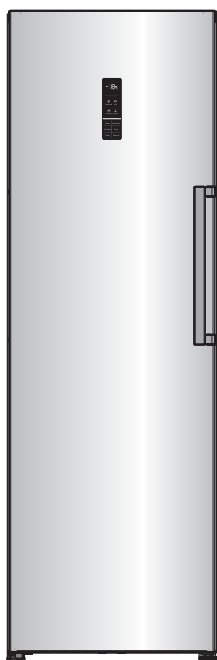
Warning! When reversing the door, the appliance must not be connected to the mains. Ensure that the plug is removed from the mains socket.

Tools you will need:

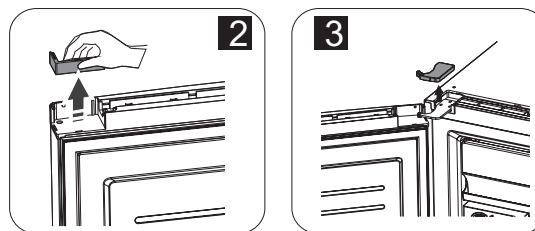
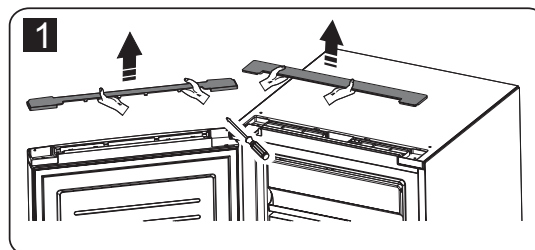
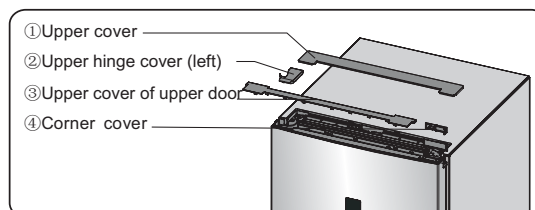
	
8mm socket wrench	Cross-shaped screwdriver
	
Thin-blade screwdriver	8mm wrench

Note: Before you start lay the refrigerator on its back in order to gain access to the base, you should rest it on soft foam packaging or similar material to avoid damaging the backboard of the refrigerator. To reverse the door, the following steps are generally recommended.

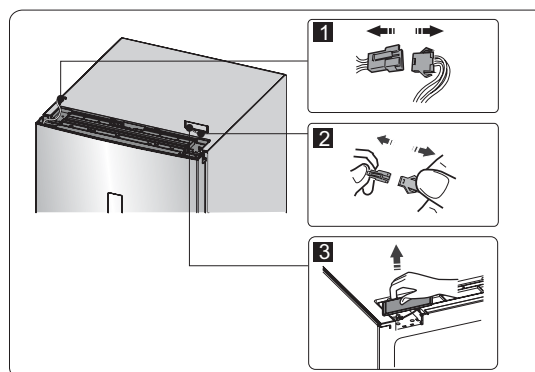
1. Stand the refrigerator upright.



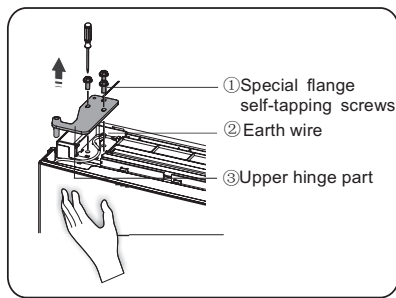
2. Open part ① on top of the refrigerator body from left side and then take down part ③ and part ④ on the door in the same way. Take down part ② and put it back to the plastic bag.



3. Disconnect electrical connector ① as well as electrical connector ② and then take down part ③.

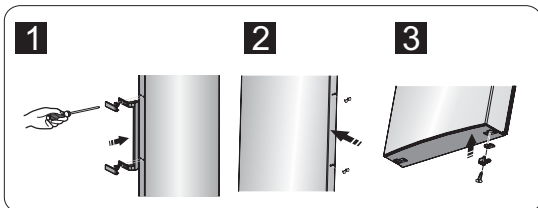
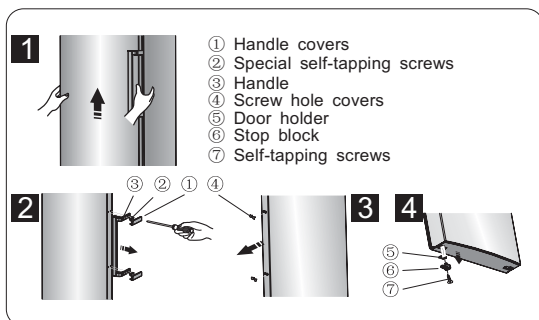


4. Remove the screws ①, loose wire ②, and remove part ③.

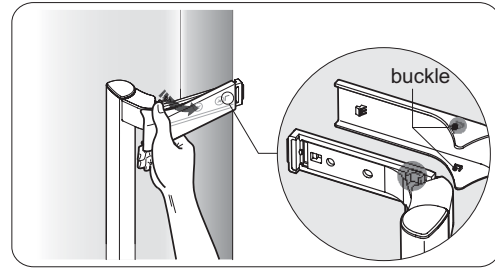


Note: Please hold the door by hand during step 4 to prevent door dropping.

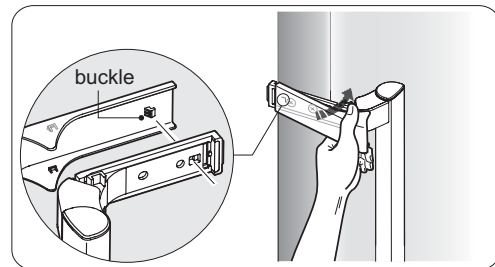
5. Remove the door and place it on a smooth surface with its panel upwards. Lever part① and part④, then loose screws②, as shown in the picture. Change handle③ to the left side, then install screws②, part① and part④ in turn. Loose screws⑦, detach part⑥ and part⑤, turn part ⑥ over and then install part⑤ and part⑥ to the right side with screws⑦.



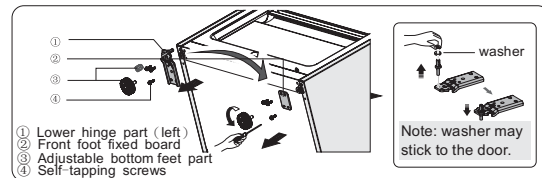
Note 1: Remove the handle cover as the follow figure shows :bend the upper wing and take the upper buckle apart from the handle, and so as the other side, after that take down the handle cover.



Note 2: Install the handle cover as the follow figure shows :button the buckle firstly, and then close the cover from the inside until you hear the sound of "popping".

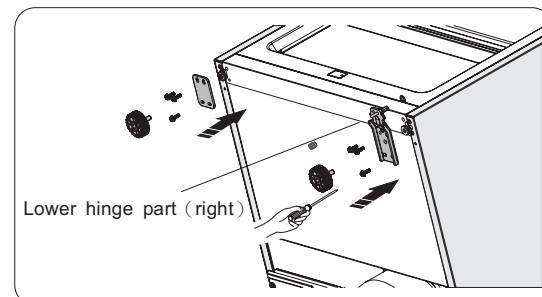


6. Place refrigerator flatwise, remove part③ and then loose screws④. Remove part ② and part①.

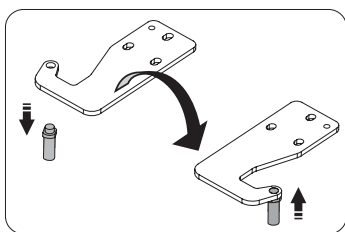


7. Screw out lower hinge, change it to the near hole site, and then screw up and mount washer.

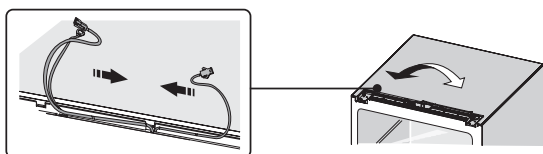
8. Just remount to the step 6, change part① to right and part② to left and then fix them with screws④. Finally install part③.



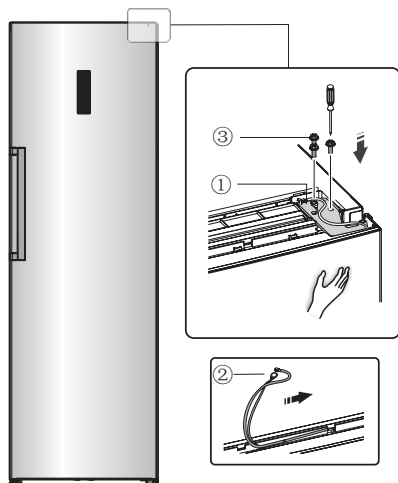
9. Screw out the upper hinge axis, turn the upper hinge over and fix axis on it. Then place it at side for use.



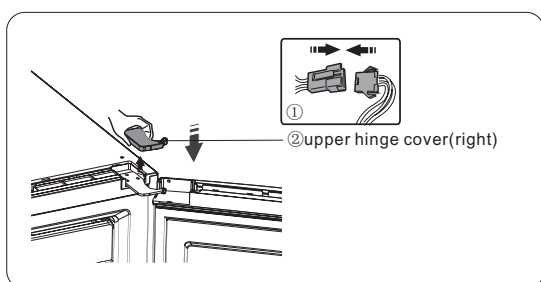
10. Exchange wires both in the left and right slots of refrigerator body.



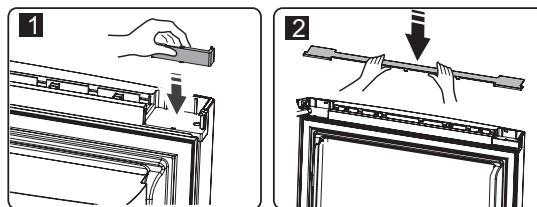
11. Move the door to appropriate position, adjust part ① and the door, Move the connecting wire ② in the slot of the door from left to right, and then fix part ① and wire ② by screws ③. (Please hold the door by hand when installing)



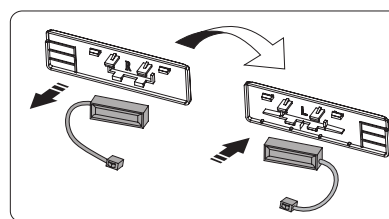
12. Connect electrical connector ① in accordance with step 3 and then install part ② (which is in the plastic bag).



13. Reverse part ① by 180° and install it onto the left corner of the door, then mount part ②. (both of which are taken down in step 2)

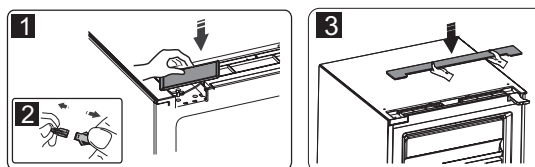


14. Take the reed switch out of the coping block (part ③ in step 3) and mount it on another block for use (which is with mark "L" in the plastic bag). Put the coping block just removed back to the plastic bag.



Note: Be sure character side of reed switch fits well with coping block.

15. Install part ①, connect the wire connector ②, and then install part ③.

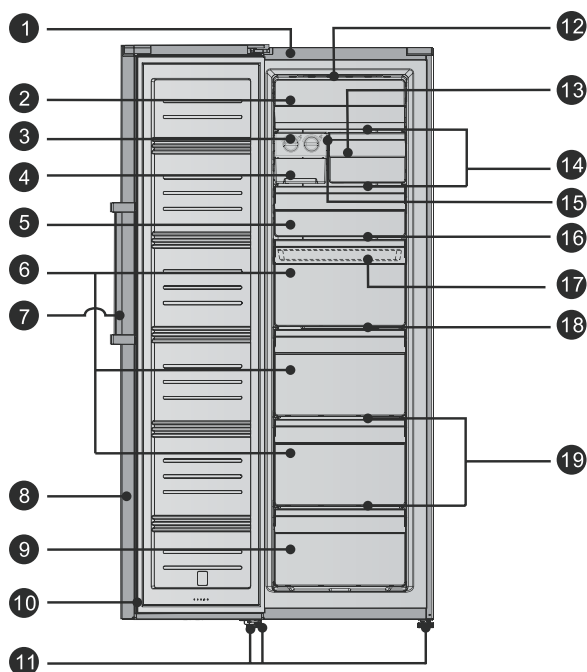


Description of the appliance

View of the appliance

FV341N4AS1

1. Cabinet
2. Flap cover
3. Twist ice maker
4. Ice storage box
5. Upper freezer drawer
6. Middle freezer drawer(huge box)
7. Easy handle
8. Freezer door
9. Lower freezer drawer
10. Freezer door seal
11. Adjustable bottom feet
12. LED light
13. Narrow freezer drawer
14. Glass shelf
15. Shelf bracket
16. Upper shelf
17. Small storage box(inside)
18. Middle shelf
19. Lower shelf



Optional part list

Part	Model	FV341N4AS1
Top LED light		✓
Twist ice maker		✓
Ice cube tray		X
Easy handle		✓
Common handle		X
Small storage box		✓

Note: Due to unceasing modification of our products, your refrigerator may be slightly different from this instruction manual, but its functions and using methods remain the same. To get more space in the freezer, you can remove drawers (except lower freezer drawer), installion bracket and integrative ice maker/twistable ice tray.

Display controls

Use your appliance according to the following control regulations, your appliance has the corresponding functions and modes as the control panels showed in the pictures below. When the appliance is powered on for the first time, the backlighting of the icons on display panel starts working. If no buttons have been pressed and the doors are closed, the backlighting will turn off.



Controlling the temperature

We recommend that when you start your refrigerator for the first time, the temperature for the refrigerator is set to -18°C . If you want to change the temperature, follow the instructions below.

Caution! When you set a temperature, you set an average temperature for the whole refrigerator cabinet. Temperatures inside each compartment may vary from the temperature values displayed on the panel, depending on how much food you store and where you place them. Ambient temperature may also affect the actual temperature inside the appliance.

1. Freezer

Press “Freezer” to set freezer temperature between -14°C and -24°C as needed, and control panel will display corresponding values according



2. Super Freeze



Super Freeze will quickly lower the temperature within the freezer so food will freeze

faster. This can lock in the vitamins and nutrients of fresh food and keep food fresh longer.

- Press “Super Freeze” button to activate the super freeze function. The light will come on and the freezer temperature setting displays -24°C .
- In case of the maximum amount of food to be frozen, please wait about 24 h.
- Super freeze automatically switches off after 26 hours.
- When super freeze function is on you can switch off super freeze function by pressing “Super Freeze” or “Freezer” button, then the freezer temperature setting will revert back to the previous setting or the “Eco Energy” function will be activated.

3. Eco Energy



The function makes the freezer work in a power saving mode which is useful for when you are away on holiday by reducing energy consumption. Pressing “Eco Energy” button for 3 seconds until the light comes on.

- When the Eco Energy function is activated, the temperature of the freezer is automatically switched to -15°C to minimize the energy consumption.

- When the Eco Energy function is on, you can switch it off by pressing any button of “Eco Energy” and “Freezer” button. The freezer temperature setting will revert back to the previous setting.

4. Alarm



In case of alarm, “Alarm” icon will be on and there will be buzzing sound. Press “Alarm” key to clear alarm and then “Alarm” icon will turn off and stop buzzing.

Door Alarm

- When the door is open for over 2 minutes, the door alarm will sound. In case of door alarm, buzzer will sound 3 times every 1 minute and will stop alarming automatically after 10 minutes.

- To save energy, please avoid keeping the door open for a long time when using the appliance. The door alarm can also be cleared by closing the door.

Temperature alarm

- If freezer temperature is too high due to power failure or other reasons, there will be a temperature alarm and the freezer temperature setting displays “--”.

- In case of temperature alarm, buzzer will sound constantly for 10 times and then stop automatically.

- In case of temperature alarm, press “Alarm” button for 3 seconds to check the highest freezer temperature. The temperature value and “Alarm” icon will simultaneously flash for 5 seconds. This function may not be available according to the model.

Caution! When power is restored, it is normal that the temperature alarm appears, this can be cleared by pressing “Alarm”.

5. Power

If you want to clean the appliance or stop using it, you can turn the appliance off by pressing “Power” button.

- When the refrigerator is working, you can switch the appliance off by pressing “Power” button for 5 seconds, meanwhile the display panel will be turned off.

Important! Do not store any food in the fridge during this time.

- When the appliance is power off, you can switch the appliance on by pressing “Power” button for 1 second, and the refrigerator returns to the previous temperature setting.

6. Child Lock



You can press the “Child Lock” button in case children touch the buttons,

to avoid wrong set. When the Child Lock function is activated, pressing the other buttons would not work except “Alarm” button.

- When the appliance is unlocked, you can activate the child lock function by pressing “Child Lock” button for 3 seconds, meanwhile “Child Lock” icon will be illuminated.

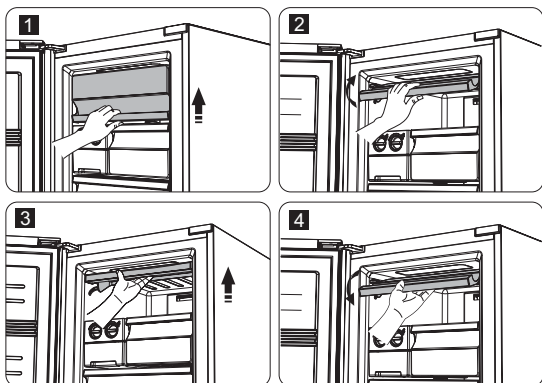
- When the child lock function is activated, you can switch off this function by pressing “Child Lock” button for 3 seconds, meanwhile “Child Lock” icon will be turned off.

Using your appliance

Your appliance has the accessories as the “Description of the appliance” showed in general, with this part instruction you can use it in the right way.

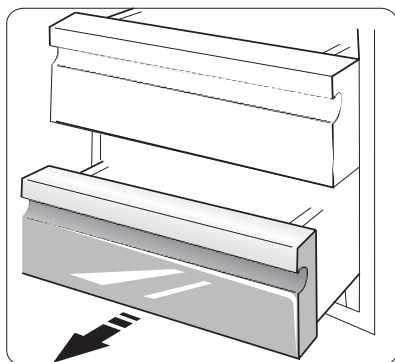
Flap cover

- You can turn the flap cover upwards when you want to take out the food in the top chamber.
- Before you open or close the flap cover, you must lift it to the guide track first. Then, the flap cover can slide along the guide track to the top or the bottom.



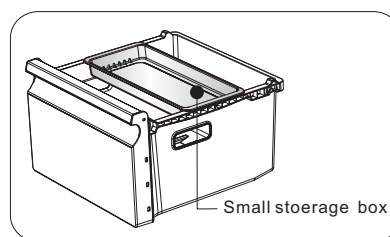
Freezer Drawer

- It is used to store food which needs to be frozen, including meat, fish, ice cream, etc.



Small storage box

- It's used to store food with small size which needs to be frozen, including ravioli, dumpling, frozen dessert, etc.
- It can only be put into the huge box(the uppermost one) or the upper drawer.

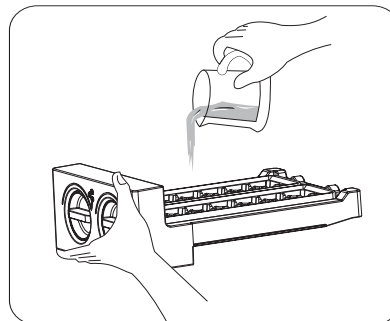


Twistable ice tray

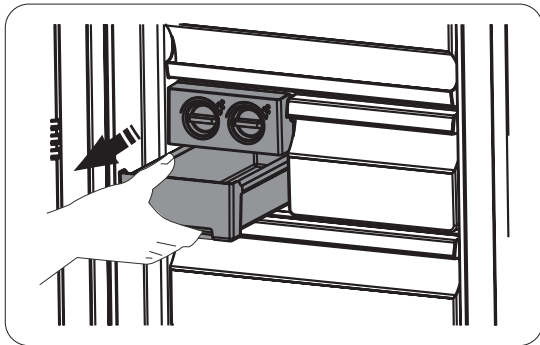
Note: If the ice tray is used for the first time or has not been used for a long time, please clean it before using.

- The twist ice tray is used to make and deposit ice cubes. You should use it as follows.

1. Pull out the twistable ice tray from the installation bracket.
2. Pour water into the ice trays and the water level shall not exceed the maximum line.

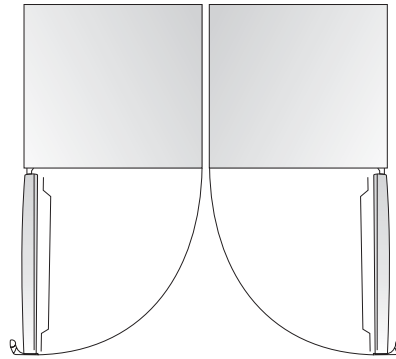


3. Place the filled ice tray back to the bracket.
4. When ice cubes form, twist the knobs clockwise and the ice will drop into the ice box below.
5. Ice cubes can be stored in the ice box, if you need them, you can pull out the ice box and take them out.



Installing refrigerators in pairs

- Your freezer can be installed with fridge in pairs.
- It can be installed by installation parts supplied like this.



Helpful hints and tips

Energy saving tips

We recommend that you follow the tips below to save energy.

- Try to avoid keeping the door open for long periods in order to conserve energy.
- Ensure the appliance is away from any sources of heat. (Direct sunlight, electric oven or cooker etc.)
- Don't set the temperature colder than necessary.
- Don't store warm food or evaporating liquid in the appliance.

- Place the appliance in a well ventilated, humidity free, room. Please refer to Installing your new appliance chapter.

- If the diagram shows the correct combination for the drawers, crisper and shelves, do not adjust the combination as this is designed to be the most energy efficient configuration.

Hints for fresh food refrigeration

- Do not place hot food directly into the refrigerator, the internal temperature will increase resulting in the compressor having to work harder and will consume more energy.
- Do cover or wrap the food, particularly if it has a strong flavor.
- Place food properly so that air can circulate freely around it.

Hints for freezing

- When first starting-up or after a period out of use, let the appliance run at least 2 hours on the higher settings before putting food in the compartment.
- Prepare food in small portions to enable it to be rapidly and completely frozen and to make it possible to subsequently thaw only the quantity required.
- Wrap up the food in aluminum foil or polyethylene food wraps which are airtight.
- Do not allow fresh, unfrozen food to touch the food which is already frozen to avoid temperature rise of the latter.

- Iced products, if consumed immediately after removal from the freezer compartment, will probably cause frost burns to the skin.
- It is recommended to label and date each frozen package in order to keep track of the storage time.

Hints for the storage of frozen food

- Ensure that frozen food has been stored correctly by the food retailer.
- Once defrosted, food will deteriorate rapidly and should not be re-frozen. Do not exceed the storage period indicated by the food manufacturer.

Switching off your appliance

If the appliance needs to be switched off for an extended period, the following steps should be taken prevent mould on the appliance.

1. Remove all food.
2. Remove the power plug from the mains socket.
3. Clean and dry the interior thoroughly.
4. Ensure that all the doors are wedged open slightly to allow air to circulate.

Cleaning and care

For hygienic reasons the appliance (including exterior and interior accessories) should be cleaned regularly at least every two months.

Caution! The appliance must not be connected to the mains during cleaning. Danger of electrical shock! Before cleaning switch the appliance off and remove the plug from the mains socket.

Exterior cleaning

To maintain good appearance of your appliance, you should clean it regularly.

-Wipe the digital panel and display panel with a clean, soft cloth.

-Spray water onto the cleaning cloth instead of spraying directly on the surface of the appliance. This helps ensure an even distribution of moisture to the surface.

-Clean the doors, handles and cabinet surfaces with a mild detergent and then wiped dry with a soft cloth.

Caution!

-Don't use sharp objects as they are likely to scratch the surface.

-Don't use Thinner, Car detergent, Clorox, ethereal oil, abrasive cleansers or organic solvent such as Benzene for cleaning. They may damage the surface of the appliance and may cause fire.

Interior cleaning

You should clean the appliance interior regularly. It will be easier to clean when food stocks are low.

-Wipe the inside of the fridge freezer with a weak solution of bicarbonate of soda, and then rinse with warm water using a wrung-out sponge or cloth.

-Wipe completely dry before replacing the shelves and baskets. Thoroughly dry all surfaces and removable parts.

Although this appliance automatically defrosts, a layer of frost may occur on the refrigerator's interior walls if the door is opened frequently or kept open too long. If the frost is too thick, choose a time when the supply of food stocks are low and proceed as follows:

-Remove existing food and accessories baskets, unplug the appliance from the mains power and leave the doors open. Ventilate the room thoroughly to accelerate the thawing process.

Caution! Don't use sharp objects to remove frost from the refrigerator. Only after the interior is completely dry should the appliance be switched back on and plugged back into the mains socket.

Door seal cleaning

Take care to keep door seals clean. Sticky food and drinks can cause seals to stick to the cabinet and tear when you open the door. Wash seal with a mild detergent and warm water. Rinse and dry it thoroughly after cleaning.

Caution! Only after the door seals are completely dry should the appliance be powered on.

Replacing the LED light

Warning: The LED light must not be replaced by the user! If the LED light is damaged, contact the customer helpline for assistance. To replace the LED light, the below steps can be followed:

1. Unplug your appliance.
2. Remove light cover by pushing up and out.
3. Hold the LED cover with one hand and pull it with the other hand while pressing the connector latch.
4. Replace LED light and snap it correctly in place.

Troubleshooting

If you experience a problem with your appliance or are concerned that the appliance is not functioning correctly, you can carry out some easy checks before calling for service, please see below. You can carry out some easy checks according to this section before calling for service.

Warning! Don't try to repair the appliance yourself. If the problem persists after you have made the checks mentioned below, contact a qualified electrician, authorized service engineer or the shop where you purchased the product.

Problem	Possible cause & Solution
Appliance is not working correctly	Check whether the power cord is plugged into the power outlet properly.
	Check whether the "Power" function is on by pressing the "power" button for 1 second.
	Check the fuse or circuit of your power supply, replace if necessary.
	The ambient temperature is too low. Try setting the chamber temperature to a colder level to solve this problem.
	It is normal that the refrigerator is not operating during the automatic defrost cycle, or for a short time after the appliance is switched on to protect the compressor.
Odours from the compartments	The interior may need to be cleaned.
	Some food, containers or wrapping cause odours.
Noise from the appliance	<p>The sounds below are quite normal:</p> <ul style="list-style-type: none"> ● Compressor running noises. ● Air movement noise from the small fan motor in the fridge compartment or other compartments. ● Gurgling sound similar to water boiling. ● Popping noise during automatic defrosting. ● Clicking noise before the compressor starts.
	<p>Other unusual noises are due to the reasons below and may need you to check and take action:</p> <ul style="list-style-type: none"> ● The cabinet is not level. ● The back of appliance touches the wall. ● Bottles or containers fallen or rolling.
The motor runs continuously	<p>It is normal to frequently hear the sound of the motor, it will need to run more when in following circumstances:</p> <ul style="list-style-type: none"> ● Temperature setting is set colder than necessary ● Large quantity of warm food has recently been stored within the appliance. ● The temperature outside the appliance is too high. ● Doors are kept open too long or too often. ● After your installing the appliance or it has been switched off for a long time.
A layer of frost occurs in the compartment	Check that the air outlets are not blocked by food and ensure food is placed within the appliance to allow sufficient ventilation. Ensure that door is fully closed. To remove the frost, please refer to cleaning and care chapter.
Temperature inside is too warm	You may have left the doors open too long or too frequently; or the doors are kept open by some obstacle; or the appliance is located with insufficient clearance at the sides, back and top.

Temperature inside is too cold	Increase the temperature by following the “Display controls” chapter.
Doors can't be closed easily	Check whether the top of the refrigerator is tilted back by 10-15mm to allow the doors to self close, or if something inside is preventing the doors from closing.
Water drips on the floor	The water pan (located at the rear bottom of the cabinet) may not be properly leveled, or the draining spout (located underneath the top of the compressor depot) may not be properly positioned to direct water into this pan, or the water spout is blocked. You may need to pull the refrigerator away from the wall to check the pan and spout.
The light is not working	<ul style="list-style-type: none"> • The LED light may be damaged. Refer to replace LED lights in cleaning and care chapter. • The control system has disabled the lights due to the door being kept open too long, close and reopens the door to reactivate the lights.

Important safety instructions

It is prohibited to dispose of this appliance as household waste.


Packaging materials

Packaging materials with the recycle symbol are recyclable. Dispose of the packaging into a suitable waste collection container to recycle it.

Before disposal of the appliance

1. Pull out the mains plug from the mains socket.
2. Cut off the power cord and discard with the mains plug.

Warning! Refrigerators contain refrigerant and gases in the insulation. Refrigerant and gases must be disposed of professionally as they may cause eye injuries or ignition. Ensure that tubing of the refrigerant circuit is not damage prior to proper disposal.

	Correct Disposal of this product
	<p>This symbol on the product or in its packing indicates that this product may not be treated as household waste. Instead, it should be taken to the appropriate waste collection point for the recycling of electrical and electronic equipment. By ensuring this product is disposed of correctly, you will help prevent potential negative consequences for the environment and human health, which could otherwise be caused by the inappropriate waste handling of this product. For more detailed information about the recycling of this product, please contact your local council your household waste disposal service, or the shop where you purchased the product.</p>

Hisense Service Help Line: 0844 3460087

Hisense Refrigerator

Hisense

life reimagined

Hisense UK Ltd
Unit D, Global Avenue
Millshaw
Leeds
LS11 8PR
Tel: +44 (0) 113 395 6930
Fax: +44 (0) 113 270 8599