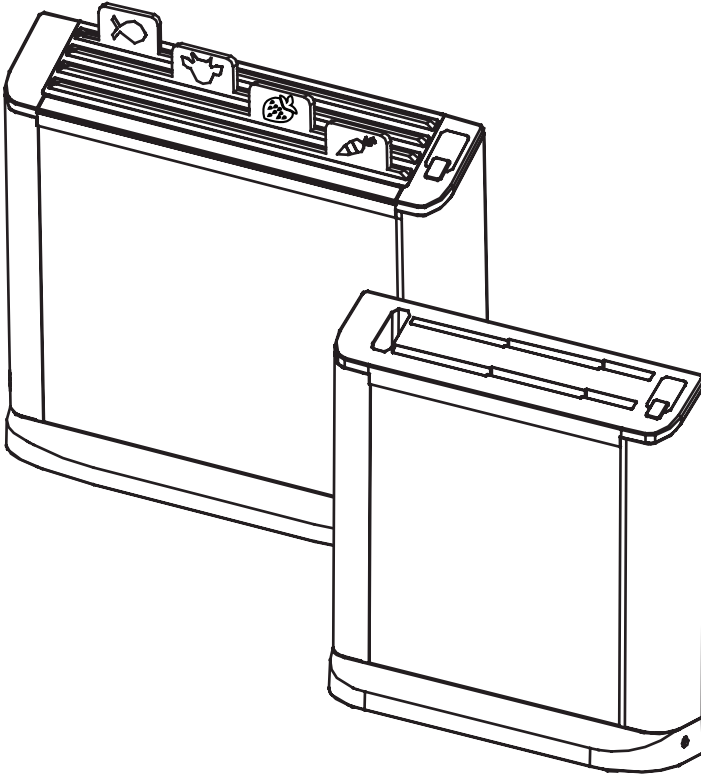


PureLiving™  
[www.purelivinguvc.com](http://www.purelivinguvc.com)



UV-C Sanitizing System  
**USER MANUAL**  
Purifying Cutting Board System (EPCBS)  
Purifying Knife Holder System (EPKHS)

PURELIVING

# Table of Contents

Preface .....	2
Important Safety Instructions before Use .....	3
General Product Information .....	5
Instructions for Use .....	5
Unpacking .....	5
Product Description .....	6
Operating Instructions .....	7
Safety Cautions When In Use .....	8
Care & Maintenance .....	8
Wakk Mounting .....	9
Product Technical Data .....	10
Legal Notice .....	10
Accessories .....	10
Customer Service .....	10
Warranty .....	11

**Attention:**

Sino Mind Group Hong Kong Co., Ltd. reserves the right for final explanation of all contents in the operation and installation manual.

## **Preface**

Thank you for choosing **PURELIVING** UV-C Sanitizing System!

Please read this specification carefully before you use the product.

Any failure and losses caused by ignoring the following mentioned statements in this instruction manual are not covered by our warranty or any liability. If you have any doubt, please contact our local service center or dealer.

If you need any other language user manual, please send an E-mail to our service department for free supply.

# PureLiving™

**PURELIVING** Appliances Website: <http://www.purelivinguvc.com>

Email: [service@purelivinguvc.com](mailto:service@purelivinguvc.com)

Manufacturer: A&T Eco-Development Ltd.  
Manufactured in China

# **Important Safety Instructions**

PLEASE READ ALL INSTRUCTIONS BEFORE USING!

When using electrical products, especially when children are present, basic safety precautions should always be followed, including the following:

DANGER - To reduce the risk of burns, electrocution, fire, or injury to persons:

- Prior using the appliance read the instructions thoroughly and retain in a safe place for further reference. The manufacturer shall not take the liability due to any problem caused by user's violation against the instructions.
- The sanitizer appliance is specially designed for the purpose of family kitchen; it can only be used in the family kitchen. Do not use it for any other purpose.
- Only use the sanitizer appliance indoors and within the specified technical data. Improper use of the appliance can be hazardous for the health and lead to critical injury.
- House wiring must comply with all local electrical codes. Improper electrical connection can result in a risk of electrical shock.
- The appliance must be dry before applying electrical power.
- Never use the appliance if there is any damage to it such as a damaged cord or plug, if it is not working properly or has been dropped. Return the appliance immediately to PURELIVING service center for examination and repair.
- This is not a toy! Please keep it out of reach from children! Children cannot recognize the hazards associated with the usage of electrical
- appliances. For this reason, never allow children to operate this device and always supervise children when they are near the appliance.
- The appliance should be placed on a dry leveled surface in an elevated position. The appliance must be used in its upright position with the back hung on the wall. Never place appliance on a soft surface.
- Always unplug the appliance from the electrical outlet immediately after using and before cleaning. Never pull the plug from the outlet by the cable with force or with wet hands.
- Always operate the appliance when it is completely assembled.

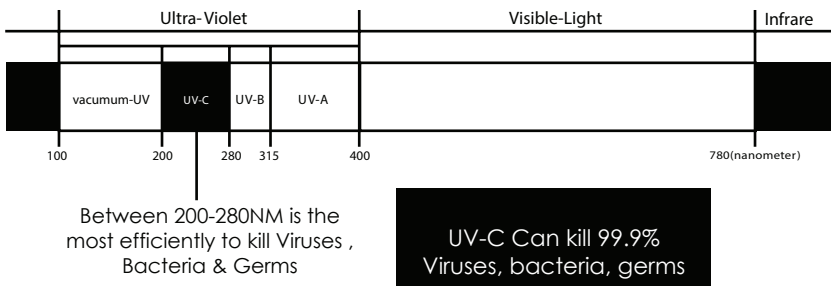
- Do not sit, stand or place any heavy objects on the appliance.
- Do not submerge water or any other form of liquids into or onto the appliance.
- Do not reach for an appliance that has fallen into water. Unplug it immediately.
- The sanitizer is installed in the form of built-in mode. The appliance blocks all harmful Ultraviolet (UV) light when operated according to instructions.
- Always direct the appliance away from the eyes and body.
- Use this product only for its intended use as described in this manual. Do not use attachments not recommended by the manufacturer.
- CAUTION: Risk of electric shock, do not remove cover (or back). Refer servicing to qualified service personnel.
- Never use this appliance directly on animals.
- Persons who are not familiar with the instructions for use, as well as children and persons under the influence of medication, alcohol, or drugs are not permitted to operate the appliance.
- As a user, you are responsible for the maintenance and proper use of the sanitizer at home.
- Do not use outdoors or operate where aerosol (spray) products are being used or where oxygen is being administered.
- Do not place or store product where it can fall or be pulled into a tub or sink.
- Do not place in or drop into water or other liquid.
- Keep the cord away from heated surfaces.
- Do not look directly at the UV-C light, To avoid direct contact of UV-C radiance from your eyes and skin, always keep a distance of one meter from the UV-C light, If there are any signs of skin rashes ,swelling, sunburn etc from direct exposure to the UV-C light, please stop using the appliance and seek medical advice immediately.

**SAVE THESE INSTRUCTIONS!**

# General Information

**PURELIVING** aims to provide all households with innovated cleanliness and safety products for home and kitchen use through the latest Ultraviolet light technology to enhance us an enjoyable clean, pure, and healthy living.

Ultraviolet light represent the frequency between 200 to 400 nanometers (nm) and cannot be seen with the naked eye. UV-C, germicidal ultraviolet light is one distinct bands of UV light that ranges between 200nm to 280nm, in which is effective in microbial control. UV-C band is the most efficient frequency to kill bacteria, germs, and viruses up to 99.9% efficiency.



UV-C sanitizer appliance helps eliminate disease-causing bacteria, viruses and fungi in households and reduces odors, keeping our household in a clean antiseptic environment. The appliance is user friendly and is 100% chemical free that helps protect our environment.

## Instructions for Use

Note: Before installation, please check the accessories with the product in terms of the following content in the packing list.

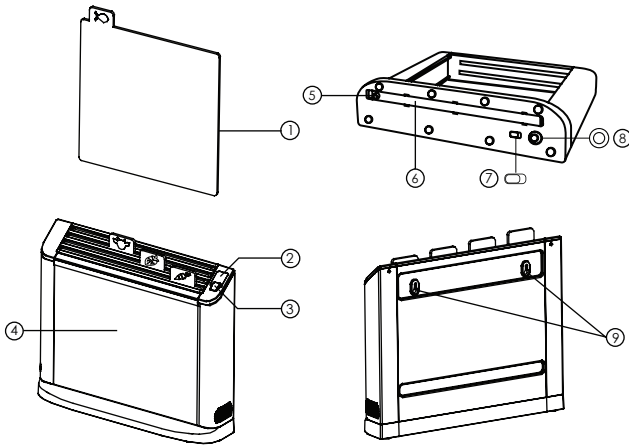
- 1) Sanitizer Appliance x1 Unit
- 2) Instruction Manual x1 Booklet
- 3) Warranty Card x1 Card
- 4) Wall Mount Screw Pack

(Includes: Screw x2 pieces and Plastic Wall Mount Screw Lock x2 pieces)

## Unpacking

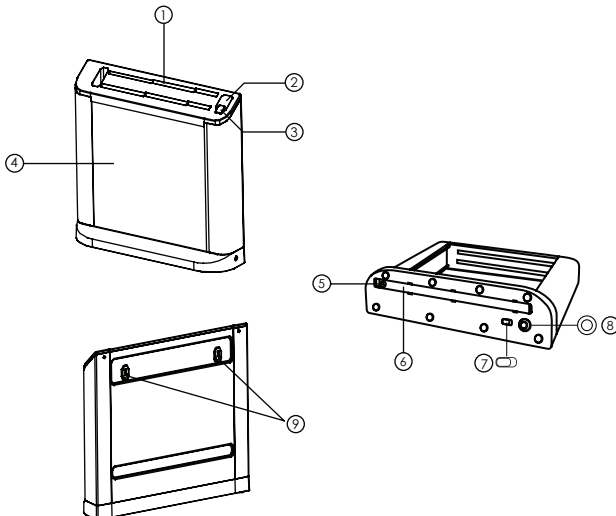
- Carefully remove the sanitizer appliance out from the box.
- Remove all plastic bag and thin film from the appliance.
- Read the instruction manual and rating label carefully.
- All packaging materials are environmental friendly and recyclable. When disposing, please stick to the principle of environmental protection.
- Do not let children play with thin film and the packaging, as it may cause choke.
- Please keep children away from packaging materials since it may be harmful.

# UV-C Purifying Cutting board System Product Introduction



- 1.Chopping Board.
- 2.LED Display Screen.
- 3.On/Off Sanitizing Switch.
- 4.Front Panel.
- 5.Safety Lock Screw.
- 6.Panel Holder
- 7.Safety Sensor Switch
- 8.Sensor
- 9.Wall Hanging Mount

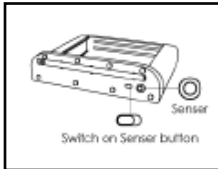
# UV-C Purifying Knife Holder System Product Introduction



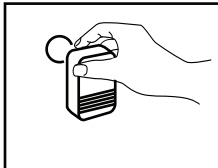
- 1.Knife Socket.
- 2.LED Display Screen.
- 3.On/Off Sanitizing Switch.
- 4.Front Panel.
- 5.Safety Lock Screw.
- 6.Panel Holder
- 7.Safety Sensor Switch
- 8.Sensor
- 9.Wall Hanging Mount

# Operating Instructions

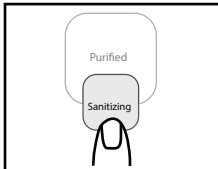
Note: Always clean knives and cutting boards before placing it into the sanitizer. Avoid oil, alcohol, gas, food crumbs etc from the sanitizer.



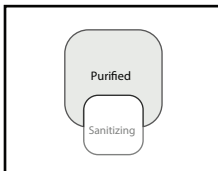
- 1) Turn on the safety control sensor switch before use, located below the appliance. The safety control sensor will automatically shut the device off if the appliance is unbalanced.



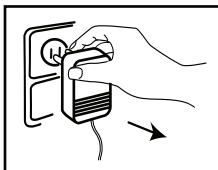
- 2) Plug the adapter into the appliance outlet and insert the plug into the socket.



- 3) Activate the appliance using the on/ off sanitizing switch. Approximately 5 minutes after it is switched on the sanitizer will reach its full output level. The turned on green LED light means the appliance is "SANITIZING" on the display screen. It will take 20 minutes to sanitize your knives or cutting boards completely.



- 4) When the LED display screen light switches to blue, your cutting board or knife is "PURIFIED". The appliance will turn off automatically after your knives or cutting boards are purified.



- 5) After purification, unplug the adapter from the socket. Note: You may leave the appliance on, but we recommend you to turn off unused appliance for safety issues and ensure longer life for the appliance.

Note: Do not pull out the wire forcefully for unplugging.

- 6) Failure to operate the appliance means the cutting boards/ knives has not been purified by this unit.

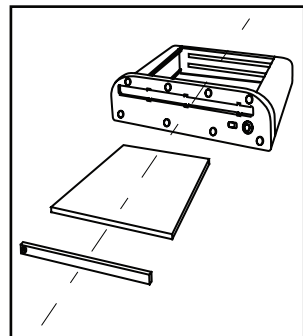
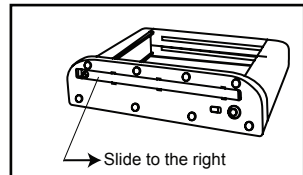
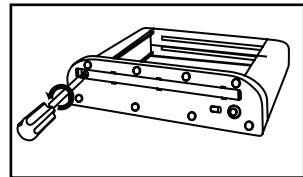


## Safety Cautions When In Use

- Children are not allowed to operate the sanitizer; otherwise, it is apt to result in burn, electric shock or other unexpected accident.
- Do not plug/ unplug the power supply with wet hands.
- Upon discovery of any UV leakage during use, deactivate the sanitizer immediately and notify specialized technicians for servicing.
- Do not soak or sprinkle into or onto the sanitizer using water, oil, alcohol, or any other forms of liquids, otherwise you are in danger of short circuit or electric shock.

## Care & Maintenance

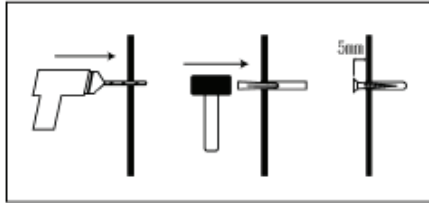
- Switch off the appliance and unplug it from the socket before cleaning the sanitizer.
- When cleaning the sanitizer, please wear gloves in order to prevent your fingers from injury.
- Clean the front panel of the sanitizer regularly. To clean, take the safety lock screw off the bottom of the appliance, release the panel holder, and remove the front panel from the appliance.
- Gently wipe the appliance inner parts with a clean, soft, and moist cloth. Please dry before use. Make sure the appliance is not submerged in water.
- Do not use abrasive cleaners or scrubbers.
- The appliance is not dishwasher safe.
- To store the appliance for extended periods, please clean the appliance as described above and allow dry thoroughly. Preferably store the appliance in its original box, in a dry place away from high temperatures.
- Any other servicing should be performed by an authorized service representative.



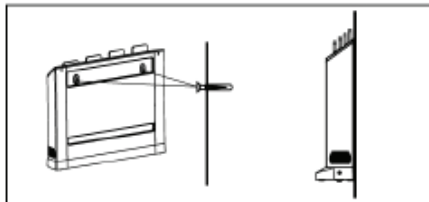
For more information, please visit :  
[www.purelivingvc.com](http://www.purelivingvc.com)

## **Wall mounting**

- Find an ideal location for your appliance: Do not place the sanitizer directly next to a heating vent, or near any heated place, or near any places close to water.
- The sanitizer should be placed in an elevated position at least 3 ft off the floor.
- Read the instructions below for "Wall Hanging Procedure" if you want to hang your appliance on the wall.



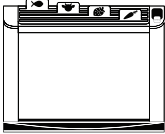
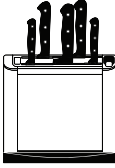
- 1) Always turn off the safety sensor switch if you want to hang your sanitizer on to the wall.
- 2) Drill two hole into the wall. Make sure the holes drilled are leveled.
- 3) Insert the plastic screw into the wall using a hammer.
- 4) Insert the screw into the plastic screw, leaving 5 mm outside the wall.
- 5) Turn off the safety sensor switch if hanged.



- 6) Hang the appliance onto the wall.
- 7) Ensure the appliance is leveled.

- Confirm all screws of the appliance to be screwed tightly and in the right position.
- Connect the unit only to alternating current with voltage according to the rating label. The cable is one meter long, always connect the sanitizer and the adapter within this distance.
- Ensure that the cable is not pinched anywhere. Do not operate the sanitizer if the cable is damaged.
- Upon discovering damage of lighting bulb or UV-C tube, please do not operate the sanitizer. Kindly contact Sino Group customer service center for replacement in order to prevent short circuit.
- Do not attempt to replace UV-C tube, the UV-C tube only can be replaced by the same model from original manufacturer, contact Sino group customer service center for replacement.

# Product Technical Data

	<b>Purifying Cutting Board System</b>	<b>Purifying Knife Holder System</b>
Model No.	EPCBS	EPKHS
Appearance		
Rated Power	12Vdc, 9W	
Adapter Voltage	100-240V / 50-60Hz	
UV wave length	200 - 280 nm	
Power of UV Bulb	2 x 4W	

## Legal Notice

Patent No: M387580

The sanitizer is listed under the following:



## Accessories

Please contact your local retailer or check our website [www.purelivingvc.com](http://www.purelivingvc.com) for accessories and re-order information.

## Customer Service

Note: Only technicians that have received professional training and have legal qualification for the sanitizer can repair the appliance. Any other person must not disassemble or repair the sanitizer without permission.

When your sanitizer has abnormal phenomena, please discontinue the appliance and contact **PURELIVING** local service center or dealer.

Customer Service Contact (USA): 914-372-7777  
 Customer Service Email: [service@purelivingvc.com](mailto:service@purelivingvc.com)

## **Warranty- Limited One Year Warranty**

PURELIVING sell its products with the intent that they are free of defects in manufacture and workmanship for a period of one year from the date of original purchase, except as noted below. Pureliving warrants that its product will be free of defects in material and workmanship under normal use and service. This warranty extends only to consumers and does not extend to Retailers.

This warranty does not cover damage caused by misuse or abuse; accident; the attachment of any unauthorized accessory; alteration to the product; improper installation; unauthorized repairs or modifications; improper use of electrical/ power supply; loss of power; dropped product; malfunction or damage of an operating part from failure to provide manufacturer's recommended maintenance; transportation damage; theft; neglect; vandalism, environmental conditions; loss of use during the period the product is at repair facility or otherwise awaiting parts or repairs; or any other conditions whatsoever that are beyond the control of PURELIVING.

This warranty is effective only if the product is purchased and operated in the country in which the product is purchased. A product that requires modifications or adoption to enable it to operate in any other country than the country for which it was designed, manufactured, approved and/or authorized, or repair of products damaged by these modifications is not covered under this warranty.

The warranty provided herein shall be the sole and exclusive warranty. There shall be no other warranties express or implied including any implied warranty of merchantability or fitness or any other obligation on the part of the company with respect to products covered by this warranty. PURELIVING shall have no liability for any incidental, consequential or special damages. In no event shall this warranty require more than the repair or replacement of any part or parts which are found to be defective within the effective period of the warranty. No refunds will be given. If replacement parts for defective materials are not available, PURELIVING reserves the right to make product substitutions in lieu of repair or replacement.

This warranty does not extend to the purchase of opened, used, repaired, repackaged and/ or resealed products, including but not limited to sale of such products on Internet auction sites and/or sales of such products by surplus or bulk resellers. Any and all warranties or guarantees shall immediately cease and terminate as to any products or parts there of which are repaired, replaced, altered, or modified, without the prior express and written consent of PURELIVING.

This warranty provides you with specific legal rights. You may have additional rights which may vary from country to country. Because of individual country regulations, some of the above limitations and exclusions may not apply to you.

For more information regarding our product line in the USA, please visit: [www.purelivingvc.com](http://www.purelivingvc.com)