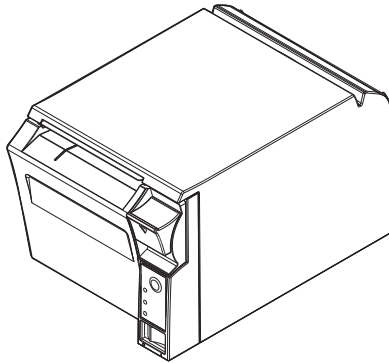


TM-T70II

User's Manual



All rights reserved. No part of this publication may be reproduced, stored in a retrieval system, or transmitted in any form or by any means, electronic, mechanical, photocopying, recording, or otherwise, without the prior written permission of Seiko Epson Corporation. No patent liability is assumed with respect to the use of the information contained herein. While every precaution has been taken in the preparation of this book, Seiko Epson Corporation assumes no responsibility for errors or omissions. Neither is any liability assumed for damages resulting from the use of the information contained herein.

Neither Seiko Epson Corporation nor its affiliates shall be liable to the purchaser of this product or third parties for damages, losses, costs, or expenses incurred by purchaser or third parties as a result of: accident, misuse, or abuse of this product or unauthorized modifications, repairs, or alterations to this product, or (excluding the U.S.) failure to strictly comply with Seiko Epson Corporation's operating and maintenance instructions.

Seiko Epson Corporation shall not be liable against any damages or problems arising from the use of any options or any consumable products other than those designated as Original Epson Products or Epson Approved Products by Seiko Epson Corporation.

Depending on the area, the interface cable may be included with the product. If so, use that cable.

Seiko Epson Corporation shall not be held liable for any damage resulting from electromagnetic interference that occurs from the use of any interface cables other than those designated as Epson approved products.

EPSON is a registered trademark of Seiko Epson Corporation. Exceed Your Vision is a registered trademark or trademark of Seiko Epson Corporation. All other trademarks are the property of their respective owners and used for identification purpose only.

NOTICE: The contents of this manual are subject to change without notice.

© Seiko Epson Corporation 2014. All rights reserved.

Important Safety Information

This section presents important information intended to ensure safe and effective use of this product. Read this section carefully and store it in an accessible location.

Key to Symbols

The symbols in this manual are identified by their level of importance, as defined below. Read the following carefully before handling the product.

 **WARNING:**

Warnings must be observed carefully to avoid serious bodily injury.

 **CAUTION:**

Cautions must be observed to avoid minor injury to yourself, damage to your equipment, or loss of data.

Safety Precautions

This section describes the warnings and cautions intended to ensure safe and effective use of the TM-T70II. Other warnings and cautions on handling of this product for its safe and effective use are described in other sections of the manual.

 **WARNING:**

If the TM-T70II produces smoke, a strange odor, or unusual noise, shut down the TM-T70II, unplug the AC cable immediately, and then contact your dealer or an Epson service center for advice. Continued use may lead to fire or electric shock.

Never attempt to repair this product yourself. Improper repair work can be dangerous.

Never disassemble or modify this product. Tampering with this product may result in injury or fire.

Be sure to use the specified power source. Connection to an improper power source may cause fire.

Do not allow foreign matter to fall into the equipment. Penetration by foreign objects may lead to fire.

If water or other liquid spills into this equipment, shut down the TM-T70II, unplug the AC cable of the TM-T70II immediately, and then contact your dealer or an Epson service center for advice. Continued use may lead to fire or shock.

Do not use aerosol sprayers containing flammable gas inside or around this product. Doing so may cause fire.

 **CAUTION:**

Do not connect cables in ways other than those mentioned in this manual. Different connections may cause equipment damage or fire.

Be sure to set this equipment on a firm, stable, horizontal surface. The product may break or cause injury if it falls.

Do not use this product in locations subject to high humidity or dust levels. Excessive humidity and dust may cause equipment damage or fire.

Do not place heavy objects on top of this product. Never stand or lean on this product. Equipment may fall or collapse, causing breakage and possible injury. Take care not to injure your fingers on the manual cutter

- *When you remove printed paper*

- *When you perform other operations such as loading/replacing roll paper*

To ensure safety, unplug this product before leaving it unused for an extended period.

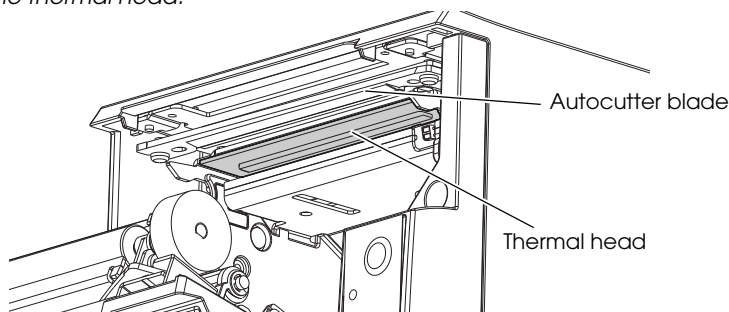
Before moving this product, be sure to unplug it and all the cables connected to it.

Caution Labels

The caution labels on the product indicate the following precautions.

CAUTION:

The thermal head can be very hot during printing and immediately after printing. Touching it may cause burns. Be sure to do cleaning and other work after the thermal head cools down. Also, be careful of the autocutter blade near the thermal head.



Restriction of Use

When this product is used for applications requiring high reliability/safety, such as transportation devices related to aviation, rail, marine, automotive, etc.; disaster prevention devices; various safety devices, etc.; or functional/precision devices, etc.; you should use this product only after giving consideration to including fail-safes and redundancies into your design to maintain safety and total system reliability. Because this product was not intended for use in applications requiring extremely high reliability/safety, such as aerospace equipment, main communication equipment, nuclear power control equipment, or medical equipment related to direct medical care, etc., please make your own judgment on this product's suitability after a full evaluation.

Purpose of This Manual

This manual provides information to operators of the TM-T70II printer to describe basic operations to enable safe and correct use of the printer.

Downloading Drivers, Utilities, and Manuals

Drivers, utilities, and manuals can be downloaded from one of the following URLs.

For customers in North America, go to the following web site:
<http://www.epsonexpert.com/> and follow the on-screen instructions.

For customers in other countries, go to the following web site:
<http://download.epson-biz.com/?service=pos>

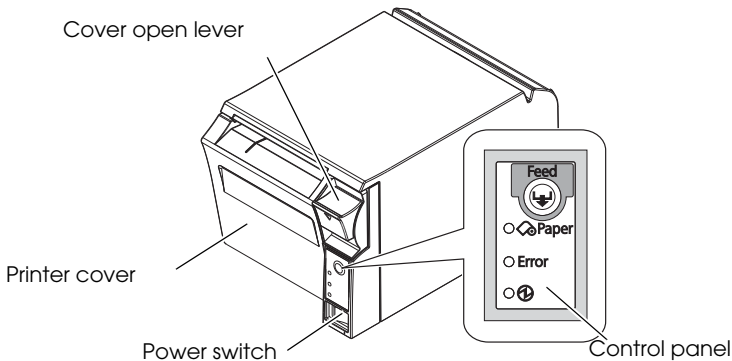
Unpacking

The following items are included with the standard specification printer. If any item is damaged, contact your dealer.

- | | |
|---|---|
| <input type="checkbox"/> Printer | <input type="checkbox"/> Roll Paper |
| <input type="checkbox"/> Power switch cover | <input type="checkbox"/> AC adapter * |
| <input type="checkbox"/> AC cable * | <input type="checkbox"/> TM-T70II Software & Documents Disc |
| <input type="checkbox"/> Setup Guide | |

* May not be included depending on the printer model.

Part Names



Control Panel

FEED button

This button feeds paper.

(Power) LED

This LED is on when the printer is on.

ERROR LED

This indicates an error.

PAPER OUT LED

On indicates a paper near end or out. Flashing indicates standby.

Important Notes on Installation

- ❑ For a serial interface, you must use a null modem cable, also called a cross cable.
- ❑ For a parallel interface, use a cable that meets the specifications for an IEEE 1284-compliant cable.
- ❑ For a USB interface, install the printer driver before connecting the printer.

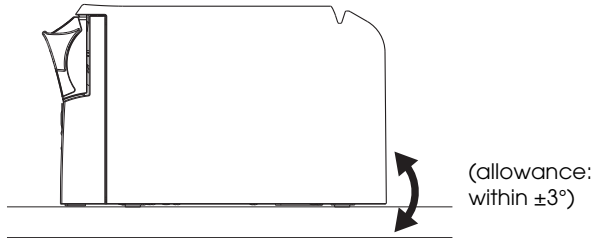
Installing the Printer

You can install this printer only horizontally.

Fix the printer so that it does not move around when you open the printer cover and cut roll paper. A tape for fixing the printer is available as an option.

Install the printer with a maximum tilt of 3°. Installing the printer with a tilt of more than 3° may cause the following problems.

- Roll paper near end cannot be detected.
- The printer cover will not close after installing roll paper.
- Roll paper cannot be taken out.

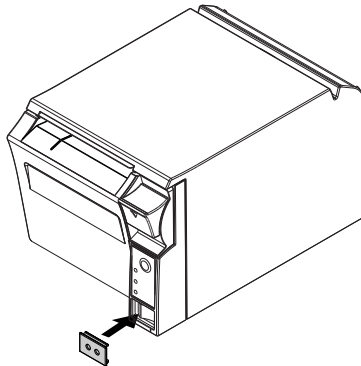


Using the Power Switch Cover

⚠ WARNING:

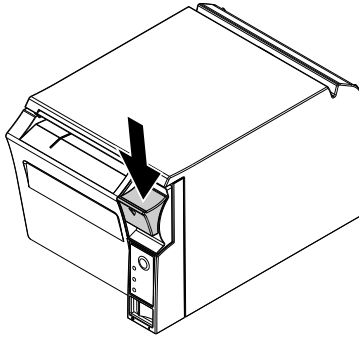
If an accident occurs with the power switch cover attached, unplug the AC cable immediately. Continued use may cause fire or shock.

The enclosed power switch cover ensures that the power switch is not pressed accidentally. To use this cover, install it as shown below.

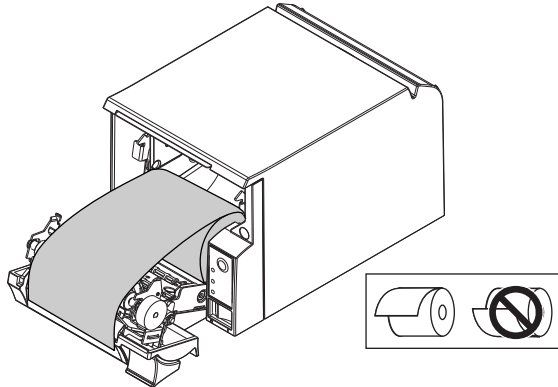


Installing Roll Paper

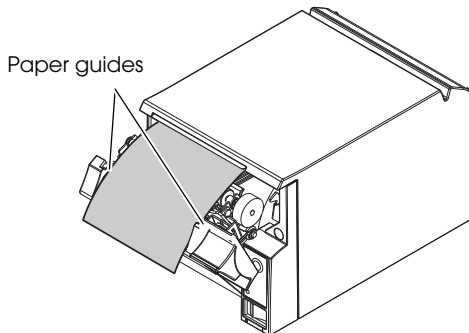
1. Press the lever to open the printer cover.



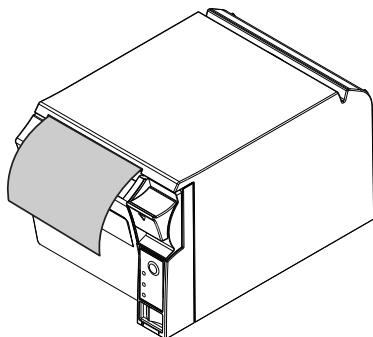
2. Remove the used roll paper core.
3. Install the roll paper. The correct direction of the paper is shown below.



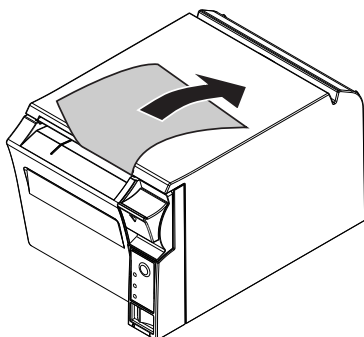
4. Pull out some roll paper so that the paper is set between the paper guides.



5. Close the printer, and make sure that the roll paper is properly installed between the paper guides.



6. Tear off the roll paper.



Troubleshooting

No lights on the control panel

Check whether the DC cable and AC cable are correctly connected to the printer and the power outlet.

ERROR LED on (not flashing) with no printing

If PAPER OUT is **on**, the roll paper is not installed or is used up.

If PAPER OUT is **off**, the printer cover is not closed properly.

ERROR LED flashing with no printing (and no paper jam)

Printing stops if the thermal head overheats and resumes automatically when it cools.

If overheating is not the cause, turn the printer off, and after 10 seconds, back on.

Removing Jammed Paper

  **CAUTION:**

Do not touch the thermal head because it can be very hot after printing.

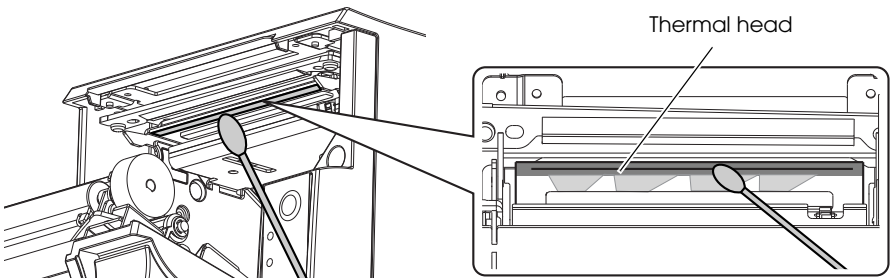
1. Turn the printer off and press the cover open lever.
2. Remove jammed paper, reinstall the roll, and close the printer cover.

Cleaning the Thermal Head

  **CAUTION:**

After printing, the thermal head can be very hot. Do not touch it and to let it cool before you clean it. Do not damage the thermal head by touching it with your fingers or any hard object.

Turn off the printer and open the printer cover. Clean the thermal elements of the thermal head with a cotton swab moistened with an alcohol solvent (ethanol or IPA).



Epson recommends cleaning the thermal head periodically (generally every 3 months) to maintain receipt print quality.

