



Installation Instruction

Mississauga, Ontario
Canada

DESCRIPTION: INSTRUCTION SHT HEAVY DUTY PEDESTAL MOUNT MT2030


NOTE - FOR SUPPLIER/VENDOR:

- THIS DOCUMENT HAS A TOTAL OF 7 PAGES, INCLUDING COVER SHEET
- ONLY PAGES 2 TO 7, ON DOUBLE PAGE, ARE REQUIRED FOR THE CUSTOMER INSTRUCTION
- **DO NOT** INCLUDE FIRST PAGE IN ASSEMBLY PACKAGE



MATERIALS AND PROCESSES USED TO PRODUCE THIS PART OR ASSEMBLY MUST COMPLY WITH EUROPEAN DIRECTIVE 2002/95/EC, RESTRICTION of HAZARDOUS SUBSTANCES (RoHS), OR LATEST VERSION THEREOF

THE INFORMATION CONTAINED IN THIS DOCUMENT IS CONFIDENTIAL AND IS THE EXCLUSIVE INTELLECTUAL PROPERTY OF PSION TEKLOGIX INC. IT MAY ONLY BE USED FOR THE PURPOSE FOR WHICH IT IS SUPPLIED AND MUST NOT BE REPRODUCED, STORED OR DISSEMINATED TO THIRD PARTIES BY ANY MEANS, IN WHOLE OR IN PART, WITHOUT THE EXPRESS WRITTEN PERMISSION OF PSION TEKLOGIX INC.

ITEM GROUP	A00INT	APPROVALS			DATE	 Mississauga, Ontario	
PRODUCT TYPE	HB0	DRAWN BY: KEN TAYLOR			JAN 14/04		
EDR/O STATUS		CHKD. BY: TG	DATE: JUL 17/06	APPROV'D. BY: PB	JUL 17/06	TITLE: INSTRUCTION SHT HEAVY DUTY PEDESTAL MOUNT MT2030	
	OBSOLETE	PROD. ENG.:					
	ENGINEERING ONLY	PROJ. ENG.:		KP	JUL 17/06		
	PRE-PILOT	MECH. ENG.:		DT	JUL 17/06		
	BETA	ELEC.ENG.:					
<input checked="" type="checkbox"/>	RELEASED	Installation Instruction			SIZE	DRAWING NO.	REV.
EDR/EDO NO.: 7075		U:\engdata\RELEASE\TEKLOGIX PRODUCTS\DO Blank forms\Blank Forms Word.Doc\InstallationInstruction.doc			A	30079	D
SHEET 1 OF 7							

Installation Instruction for MT2030 Heavy Duty Fixed Cradle Mount

WARNING: Failure to install the mount correctly or modifications to the mount may result in serious injury or damage to property. Contact Psion Teklogix Technical Support or your Psion Teklogix representative if you have problems installing this mount. To ensure operator safety, you must use a calibrated torque wrench and the supplied mounting hardware when fastening the cradle and mount. Use of this mount in vehicles driven on public roads or highways is prohibited. Contact Psion Teklogix for further details.

I. Preparation

This swivel heavy duty mount can be installed in orientations ranging from 18° to 90° (See Figure 1 and 2). Select the best orientation for your specific application. Preferred orientations maintain the cradle assembly in the end slot position or close to 18° off horizontal (See Figure 1) for horizontal surfaces and an orientation of 90° for vertical surfaces (See Figure 2).

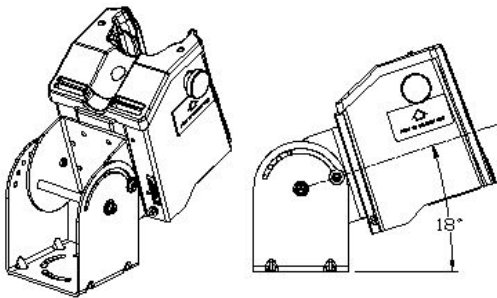


Figure 1

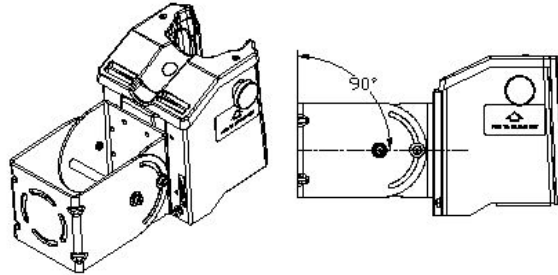


Figure 2

The mounting platform must be of sufficient strength to support 10 kg. Never attach this mount to a plastic dash or a wooden platform without the appropriate backing plate and bracing. Review the clearance requirements listed on the instruction sheet provided with your cradle when selecting a mounting location - you must provide operator access at the top, bottom & sides. Also review the section in the User Manual for your handheld product under "Picker Cradle".

PART NUMBER:	30079	REV:	D
	SHEET	1	OF 6

2. Installation

Step 1: Reposition Heavy Duty Bracket: To adjust angle of Heavy Duty Bracket (A) (See Figure 3) remove Screw/Washers (C) and loosen Screw (D) with 5/32" Allen Key to allow bracket to swivel and repositioned into desired angle. Reinstall Screw/Washers (C) in new positioning hole and tighten all Screws (C), (D) and (E) to required torque of 18 in-lbs.

Step 2: Attach Bracket to Cradle: Place Screw (I) through Lock Washer (H), Flat Washer (G) and Heavy Duty Bracket (A) and affix to Cradle (F). Four places (see Figure 4). Torque to 18.0 in-lbs.

Step 3: Secure Base to Platform: Use the supplied bolt hole pattern to drill the required holes in the local platform. Hole diameters must not exceed 9/32 inches. The kit provides 1 inch bolts - if these are not appropriate, replace only with stainless steel (type 18-8) 1/4-inch bolts, thread type 20, and ensure at least two threads are visible when nuts (M) are in place. Place Bolt (J) through Heavy Duty Bracket (A), Local Platform, Flat Washer (K), and Lock Washer (L), and affix with Nut (M). Four places (see Figure 4). Torque to 65 in-lbs.

Specifications:

Max. Load: 5.5 kg
 Articulating Range: Fixed through 144 degrees.
 Shock Rating: 30g maximum, sawtooth, 11ms duration.
 Vibration Rating: 1.5 g rms maximum, 5 - 500 Hz

Compatibility:

HU1000, HU1010, HU1020, HU1030, 7975, 7976, 7977, 7937A, 7937B, 7937C Cradle Mounts.

Mount orientation shown in Figure 1 is considered the preferred configuration for the Heavy Duty Mounting Kit. Hardware (J, K, L & M) for securing Base (A) to local platform are recommended sizes. If replacement hardware is need, it should be consistent with these diameters. All fasteners must use a suitable locking mechanism to ensure they do not loosen under shock & vibration.

LEGEND:

A - HEAVY DUTY BRACKET
 B - POSITIONING HOLES
 C - SCREW/WASHERS - POSITIONING HARDWARE
 D - SCREW/WASHERS - SLIDE ADJUSTMENT HARDWARE
 E - SCREW/WASHERS - BAR HARDWARE

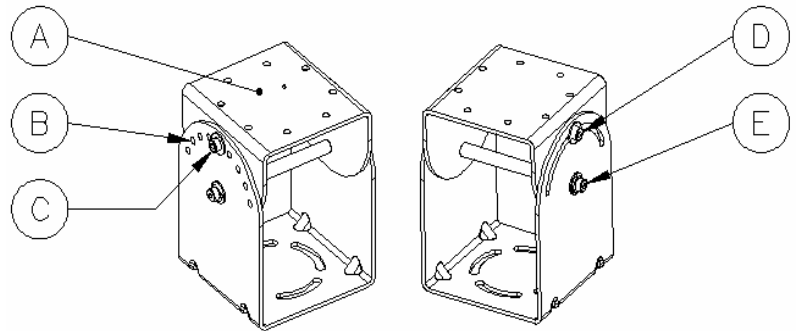


Figure 3

LEGEND:

F - CRADLE
 A - HEAVY DUTY BRACKET
 G - WASHER #8 FLAT
 H - WASHER #8 LOCK
 I - SCREW 8-32 X .5 INCHES
 J - BOLT 1/4 X 1
 K - WASHER 1/4 FLAT
 L - LOCK WASHER 1/4 SPLIT
 M - NUT 1/4 -20

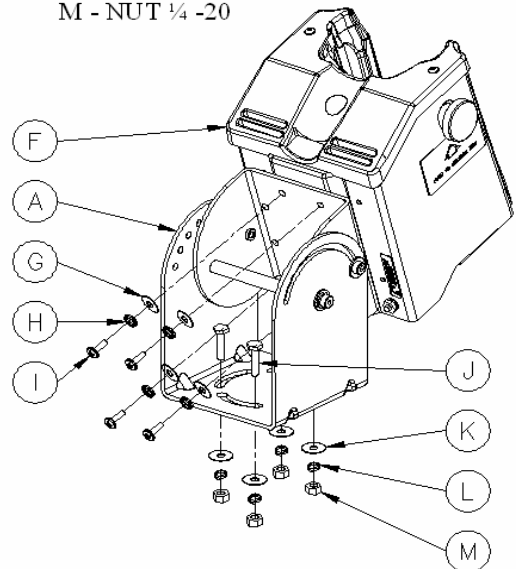


Figure 4

PART NUMBER:	30079	REV:	D
	SHEET	2	OF 6



Psion Teklogix Service Parts:

Legend Item	Description	Psion Teklogix Part Number
A	Heavy Duty Bracket ¹	1004217
G	Washer # 8 Flat	9008732
H	Washer #8 Lock	9009724
I	Screw 8-32 x .5	9009723
J	Bolt ¼ x 1	9009735
K	Washer ¼ Flat	9009736
L	Washer ¼ Lock (Split)	9008777
M	Nut ¼ -20	9008776
N	Nut Kep 8-32 ²	9009734

Notes:

1. Screws, and washers (C, D and E in Figure 3) used in Heavy Duty Bracket are all specialty hardware and are not separately orderable. This part includes all associated hardware (Items A through N).
2. Kep Nuts not shown. Included for situations not outlined in this document.

PART NUMBER:	30079	REV:	D
	SHEET	3	OF 6



Appendix A: Support Services and WorldWide Offices

Support Services

Psion Teklogix provides a complete range of product support services to its customers worldwide. These services include post-installation technical support and product repairs.

Canada and USA: Technical Support and Repair Services

In Canada and the U.S.A. these services can be accessed through the Psion Teklogix Helpdesk. The Helpdesk coordinates repairs, helps you troubleshoot problems over the phone, and arranges for technicians or engineers to come to your site. Canadian and U.S. customers may receive access to technical support services, ranging from phone support to emergency on-site system support, by calling the toll-free number below, or via our secure web site.

Note: Customers calling the toll-free number should have their Psion Teklogix customer number or trouble ticket number available.

Voice: 1 800 387-8898

Fax: 1 905 812-6304

Web Site: <http://service.pSIONteklogix.com>

WORLD WIDE WEB

www.pSIONteklogix.com

International Support

For technical support outside of Canada or the U.S.A., please contact your local Psion Teklogix office.

WORLD WIDE WEB

www.pSIONteklogix.com

PART NUMBER:	30079	REV:	D
	SHEET	4	OF 6



**North America
Canada (corporate office)**

*Psion Teklogix Inc.
2100 Meadowvale Blvd.
Mississauga, Ontario L5N 7J9
Canada
Tel: +1 905 813 9900
americas.marketing@psionteklogix.com

Psion Teklogix Inc.
Integration Services Group
Suite 410-13251 Delf Place
Richmond, BC.V6V 2A2
Canada
Tel: 1 604 214 7400
americas.marketing@psionteklogix.com

Psion Teklogix Systems
3026 Solandt Road
Kanata, Ontario K2K 2A5
Canada
Tel: 613-592-2592
Fax: 613-592-6778

U.S.A.

*Psion Teklogix Corp.
1810 Airport Exchange Blvd
Suite 500 Erlanger
Kentucky 41018
United States
Tel: +1 859 371 6006
americas.marketing@psionteklogix.com

Mexico

Psion Teklogix S.A. de C.V.
Serra Mojada 626-2
Col. Lomas Barrilaco
D.F. 11010
Mexico
Tel: +5255 5202 6802
americas.marketing@psionteklogix.com

Europe

Belgium
Psion Teklogix Benelux
Nieuwe Weg 1
2070 Zwijndrecht
Belgium
Tel: +32 3 250 22 00
info@psionteklogix.be

Denmark

Psion Teklogix AB (Denmark)
Branch of Psion Teklogix A.B.
Vesterballevej 4-6
DK-7000 Fredericia
Denmark
Tel: +4576240133
info@psionteklogix.dk

France

*Psion Teklogix SA. [Aix En Provence]
Parc de la Duranne
135, rue René Descartes
BP 421 000
13591 Aix En Provence
Cedex 3
France
Tel: +33 4 42908809
contact@psionteklogix.fr

Germany

Psion Teklogix Gmbh
Jakob-Kaiser-Str. 3
47877 Willich Münchheide
Germany
Tel: +49 2154 92820
info@psionteklogix.de

Italy

Psion Teklogix Srl
Piazza Don Mapelli 75
20099 Sesto S. Giovanni (MI)
ITALY
Tel + 39 02 2412471
Fax + 39 02 24124701
Email:
tkxitalia@psionteklogix.com

Spain

Psion Teklogix S.L. Espana
WTC Alameda Park-Poligono Alameda
Placa de la Pau s/n
Edificio no 3, 2 Planta
08940 Cornellà de Llobregat
Barcelona
Spain
Tel: +34 93 475 0220
teklogix@psionteklogix.com

Sweden

Psion Teklogix AB
Stora Badhusgatan 18-20
11 21 Gothenburg
Sweden
Tel: +46 31 339 3090
info@psionteklogix.se

Switzerland

1A Chemin de la Dent D Oche
Ecublens,VD 1024
Switzerland
Tel: +41 21 694 8010
christophe.francois@psionteklogix.com

United Kingdom

Psion Teklogix (UK) Limited
Bourne End Business Centre
Cores End Road
Bourne End
Buckinghamshire SL8 5AR
United Kingdom
Tel: +44 1628 648800
enquiries@psionteklogix.com

Asia

China

Psion Teklogix (Shanghai)
Wireless Technologies Co., Ltd.
Unit 1507-08
Mingshen Building
No.3131 Kai Xuan Rd
Shanghai 200030
China
Tel: +86 21 5407 1991
ptchina@psionteklogix.com

India

Psion Teklogix Systems India Pvt. Ltd.
V-11, 2nd Floor, Green Park Extn
New Delhi-India, 110016,
phone: +91-11-5107 4500/ 5107
6500 /5107 8500/ 5107 9500
Fax : +91-11-5107 0500
tekind@psionteklogix.com

Japan

Psion Teklogix Japan
Ark Mori Building 12F
1-12-32, Akasaka, Minato-ku,
Tokyo 107-6012
Tel: 813 4360-8272
Fax: 813 4360-8201
Email: kazu.o.aki@psionteklogix.com

Singapore

Psion Teklogix Asia Pacific Pte Ltd
152 Beach Road
#22-03/04 Gateway East
Singapore 189721
Tel: +65 6296 2232
Fax: +65 6296 2322
teksing@psionteklogix.com

Korea

Psion Teklogix Korea
904 Cresyn Tower
8-24 Jamwon-dong
Seocho-kn, Seoul
Korea
Tel: +822 344 51256
Calvin.cho@psionteklogix.com

Middle East

Dubai

Psion Teklogix Dubai
P.O. Box 261659 JAFZ
Sheikh Zayed
Emaar Building #2, Unit 615
Dubai
UAE
Tel: +971 4 368 9412
jbe.iarocci@psionteklogix.com

Israel

Psion Teklogix Israel
14 Ze'elon St. Unit 47
Or-Yehuda
Israel 60407
Tel: +972 3 634 8001
guy.perry@psionteklogix.com

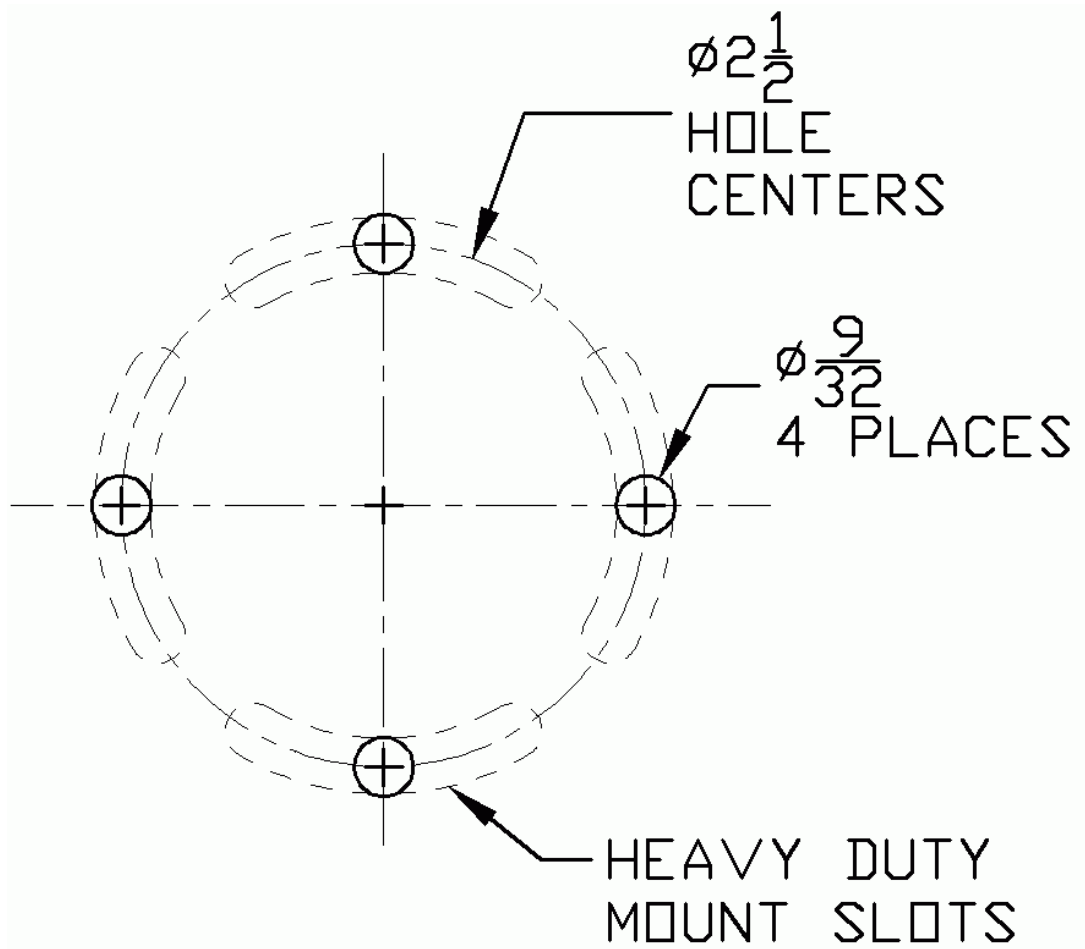
Africa

South Africa
Psion Teklogix South Africa
Proprietary Limited
Grd Flr East, Waterfall Edge
Phase 2, Waterfall Park
Bekker Rd.
Midrand 1685
South Africa
Tel: +2711 8057440
sales@psionteklogix.co.za
805

* Authorized Service Center

PART NUMBER:	30079	REV:	D
	SHEET	5	OF 6

Bolt Hole Pattern For Heavy Duty Bracket:



PART NUMBER:	30079	REV:	D
	SHEET	6	OF 6