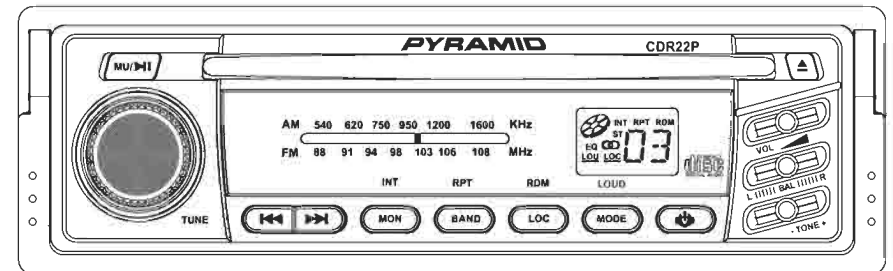


WWW.pyramidcaraudio.com

# **PYRAMID**

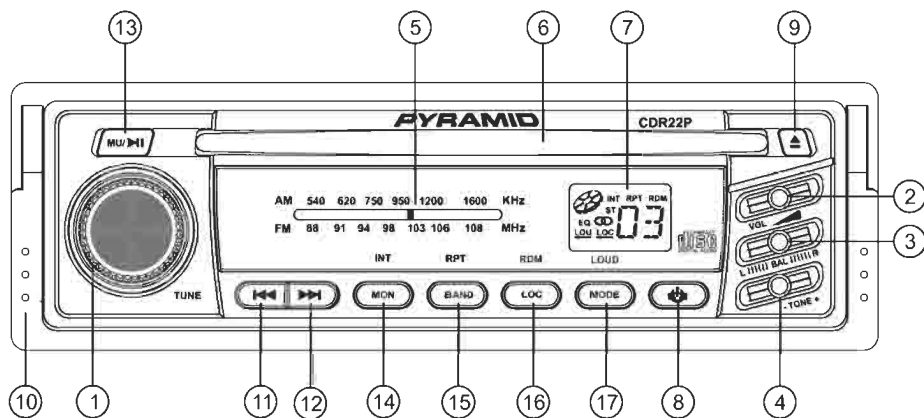
## **OWNER'S MANUAL**



**LCD DISPLAY COMPACT DISC PLAYER  
ANALOGUE DISPLAY AM/FM 2 BAND TUNING RADIO**

**MODEL: CDR22P**

## LOCATION AND FUNCTION OF CONTROL



### 1. TUNING CONTROL

During RADIO mode, turn this control to select your desired broadcasting station within FM/AM.

### 2. VOLUME CONTROL

Slide this control left or right to increase or decrease the volume level.

### 3. BALANCE CONTROL

Slide this control left or right to adjust the left /right speaker balance.

### 4. TONE CONTROL

Slide this control left or right to adjust the tone effect.

### 5. FREQUENCY ANALOGUE DIAL

### 6. CD COMPARTMENT

### 7. LCD DISPLAY

### 8. POWER BUTTON

Turn on or off the power supply of this receiver and CD player by pressing the PWR button.

### 9. CD EJECT KEY

In power supply on state, press the ▲ key to eject the CD from the compartment.(with a disc in the CD compartment.)

## SPECIFICATION

### GENERAL

Power requirement.....	DC 12V.
Current consumption.....	3A MAX.
Power output.....	2 X 7W
Chassis dimensions.....	178[W] X 50[H] X 150[D] mm.

### FM SECTION

Frequency range.....	88MHz -108MHz.
Usable sensitivity.....	10uV.
I.F Frequency.....	10.7MHz.

### AM(MW) SECTION

Frequency range.....	530KHz - 1700KHz.
----------------------	-------------------

### LINE - OUT [OPTION]

Output.....	250mV @ FM 10% THD POWER.
Impedance.....	600 ohm.

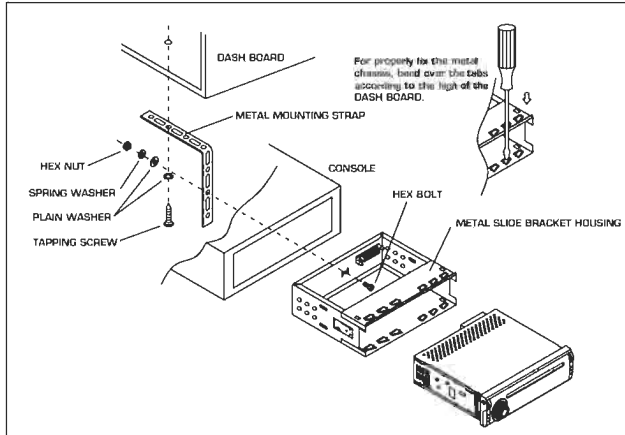
### CD PLAYER

System.....	Compact disc audio system.
Usable disc.....	Compact disc.
Signal format.....	sampling frequency 44.1KHz. No. of quantization bits 1bit.
Frequency characteristics.....	40-100Hz ≤ 5dB 10K-20KHz ≤ 5dB.
Signal to noise ratio.....	60dB [1KHz] [IEC - A net work].

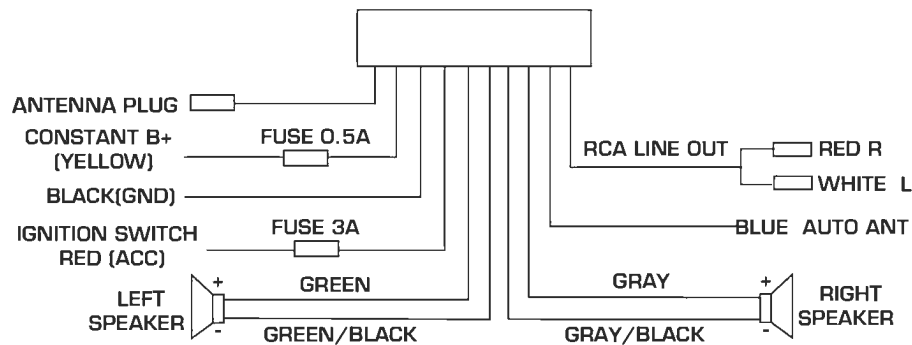
## INSTALLATION METHOD

### IMPORTANT:

- A. Please install accessories provided by the manufacturer.
- B. Choose the mounting location where will not interfere the normal driving function of the driver.
- C. Avoid to installing the unit in a place where would be subject to dirt, dust, damp, high temperature and excessive vibration.
- D. Inclination angle for installation must not exceed 30 degree.
- E. Follow the installation instructions carefully, or have the installation done by a professional technician.



## WIRING DIAGRAM



### Note:

If you have 2 speakers system, use 4 ohm impedance speaker;  
If you have 4 speakers system, use 8 ohm impedance speaker  
to reduce the distortion during high volume level.

### 10. PULL OUT HANDLE

Pull this handle forward to take away the unit from the sleeve for safekeeping.

### 11. SKIP TRACK DN/ FAST REVERSE BUTTONS

- (1). During CD mode, press the  $\lll$  button once to advance to previous track backwards.
- (2). Press and hold the  $\lll$  button to fast reverse. The CD playback starts when release the button.

### 12. SKIP TRACK UP/ FAST FORWARD BUTTONS

- (1). During CD mode, press the  $\ggg$  button once to advance to next track forwards.
- (2). Press and hold the  $\ggg$  button to fast forward. The CD playback starts when release the button.

### 13. MU/PAUSE BUTTON

During RADIO playing state, press the MU/PAUSE button to suppress the volume level 100% immediately. Press again to resume listening.  
During CD playback, press the MU/PAUSE button once to make a pause the CD program, press again to resume normal playback.

### 14. MO/INT BUTTON

**MO MODE:** At RADIO mode, press this button to switch between mono and stereo mode. Mono improves the reception of distant FM band stations.

**INT MODE:** During CD mode, press this button to play only the first ten seconds of each track on the current disc. And the INT will be visible on the display. Press again to resume the normal CD playback while your desired track is previewed.

### 15. BAND/RPT BUTTON

#### BAND BUTTON:

At RADIO mode, press this button to change between AM and FM. And the corresponding character of band which has been selected will be visible on the display.

#### RPT MODE:

During CD playback, press this button to repeat play the current track. And the character RPT will be visible on the display. Press again to stop repeat.

## 16. LOC/RDM BUTTON

### LOCAL/DISTANT RECEPTION MODE:

At RADIO mode, press this button to switch between local or distant reception. The character LOC will be visible on the LCD display during local reception. Note: During AM mode, LOC is ineffective.

### RDM MODE:

During CD mode, press the RDM button to enter RDM mode.

And the character RDM will be visible on the LCD display. Then you can select playing a track in random order by pressing track **▶▶** button. Press the RDM button again to exit the RDM mode.

## 17. MODE/LOUD BUTTON

### MODE BUTTON:

(1) When there is a disc in the CD compartment, press this button once to change between CD and RADIO mode each other.

(2) When there is no a disc in the CD compartment, this button has not the function of mode changing.

### LOUD BUTTON:

Press this button and hold for approximate 2 seconds to increase the bass output while reduce the volume level. Press and hold this button for 2 seconds again to cancel loudness effect.

## PRECAUTION OF DISC PLAY:

### Cleaning the CD:

Before playing a CD, wipe it off with a clean, dust-free cleaning cloth. Wipe the disc in the direction of the arrow.

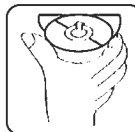


Always insert the CD with the label side facing upwards.

If the CD is inserted with the printed side facing downwards, the device may be damaged.

Note: If there is already a CD in the CD slot, do not try to insert a second CD. For this may damage the device.

Always hold CDs by the edge. In order to keep the CD clean do not touch the surface. Pull out the CD as the direction of follows.



Do not attach any sticker or adhesive tape on the CD.

Do not expose the CD to direct sunlight or sources of heat such as heating pipes.

Do not leave CDs in a car if it parked in direct sunlight as that will lead to a considerable rise in the temperature inside the car.

Note: Do not use any solvents such as petrol or thinning agents. Commercially available cleaning substances or antistatic spray will damage the device.



## TROUBLE SHOOTING

To solve the common problems, refer to the Trouble Shooting List. If you still cannot solve the problem, consult your nearest service dealer.

Symptom	Cause	Solution
No power	The car ignition is not on.	If the power supply is properly connected to the car accessory switch the ignition key to " ACC "
	The fuse is blown	Replace the fuse
Disc cannot be loaded	Presence of CD disc inside the player	Remove the disc in the player then put a new upward
Disc cannot be read	Inserting the disc in upside down	Insert the compact disc with the label facing upward
	Compact disc is extremely dirty or defective	Clean the disc or try to play a new one
	Temperature inside the car is too high	Cool off until the ambient temperature returns to normal
No sound	Volume is too low	Adjust volume to a proper level
	Wiring is not properly connected	Check wiring connection
The operation keys do not work	Front panel is not properly fix into its place	Reinstall the front panel
Sound skips	The installation angle is more than 30 degrees	Adjust the installation angle to less than 30 degrees
	The disc is extremely dirty or defective	Clean the compact disc/try to play a new one
The radio does not work	The antenna cable is not connected the signals are too weak	Insert the antenna cable firmly