



Owner's Manual

VOLTIKUS



Voltikus PSU

Audiophile grade Power supply

User's Manual

Contents

1. Safety Notes	7
2. Introduction	8
3. Features	8
4. Quick Start	9
5. Front Panel Explained	9
6. Rear Panel Explained	10
7. Replacing a fuse	11
8. In the box	12
9. Technical Specifications	12

1. Safety Notes



To reduce the risk of electrical shocks, fire, and related hazards:

- Do not remove screws, cover, or cabinet. There are no user serviceable parts inside. Refer servicing to qualified service personnel.
- Do not expose this device to rain, moisture or spillover of liquid of any kind.
- Should any form of liquid or a foreign object enter the device, do not use it. Switch off the device and then unplug it from the power source. Do not operate the device again until the foreign object is removed or the liquid has completely dried and its residues fully cleaned up.
- Make sure the device is switched off when plugging/unplugging it to/from the power source.
- Avoid placing things on the cabinet or using the device in a narrow and poorly ventilated place which could affect its operation or the operation of other closely located components.
- If anything goes wrong, turn off the device first and then unplug the power. Do not attempt to repair the device yourself: consult authorized service personnel or your dealer.
- Do not install near any heat sources such as radiators, stoves, or other apparatus that produces substantial heat.
- Do not use harsh chemicals to clean your Unit.
- Connect all your devices before powering your Unit.

2. Introduction

Congratulations! You are now the proud owner of the Voltikus audiophile grade ultra low noise power supply, the perfect companion to your Zodiac DAC.

THE POWER THAT MAKES THE DIFFERENCE

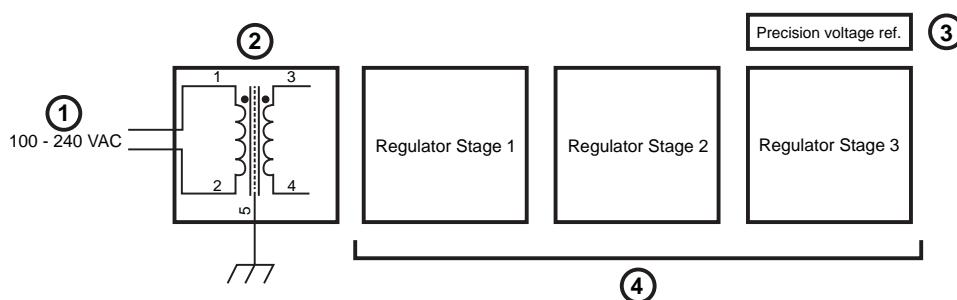
Voltikus is a sleek heavy-duty Power Supply Unit (PSU) designed to perfectly match your Zodiac DAC. Carefully tailored to deliver uncompromised power, Voltikus helps Zodiac achieve the punch and sonic richness of deep lows, a full range of mids, and tightly defined highs. This degree of performance is accomplished by incorporating a hefty, custom-wound, electrostatically shielded toroidal transformer followed by a unique concept of three cascaded power regulators. A precision laser-trimmed voltage reference (LT1021) serves as the backbone of this discrete design, achieving the stability impossible with off-the-shelf voltage regulators. Voltikus is a true engineering breakthrough from Antelope's respected team of high-end audio experts.

Enjoy your music all over again with the new Voltikus!

All the best,
The Antelope Team

3. Features

- Audiophile grade PSU perfectly matching Zodiac DACs in aesthetics and performance
- Unique multi-stage linear regulator topology achieves vastly superior stability
- Toroidal transformer with custom electrostatic shield suppresses power line disturbances
- Ground / Lift switch helps eliminate hum and buzz caused by ground loops
- Wide (90-250V) input voltage range ensures dependable operation under varying line conditions
- Advanced discrete design dispenses with the need for noisy off-the-shelf voltage regulators
- Robust sturdy construction with custom machined aluminum front panel



1. Input Voltage - 100-240 VAC
2. Custom Design Transformer with Electrostatic Shield
3. Precision Voltage Reference with Ultra-low Drift and Noise
4. Three Stage Regulation

4. Quick Start

It only takes a few moments to harness the benefits of the Voltikus PSU. Follow these simple steps to connect Voltikus to your Zodiac DAC:

1. Plug the supplied IEC power cable into the AC Input socket (4) on the rear panel of the unit and connect the other end to an AC power outlet.
2. Connect the DC power cable to the 18 VDC Output (6) on the rear panel and the other end to the 18 VDC input socket on your Zodiac DAC Unit.
3. Press the power switch (3) on the rear panel to power up. The power light (1) on the front panel of the Voltikus illuminates to indicate that it is powered up.
4. The Ground/ Lift switch (5) provides the option of lifting your Voltikus PSU to make it 'floating' or keep it grounded.

See more on www.antelopeaudio.com – support area.

5. Front Panel Explained



1. Power light

When lit, this indicates that the Voltikus is powered up.

6. Rear Panel Explained



2. Fuse compartment

Takes two fuses: 0.8A, 250 VAC, 5 mm x 20 mm, Type T.

3. Power switch

Toggles power on/off.

4. IEC AC Input C14 Male Connector

For use with AC Power cable.

5 . Ground/Lift switch

Toggles grounded or lifted state.

6. 18 VDC Output

For use with supplied Antelope DC Power cable only.

7. Replacing a fuse

If the power light is not illuminated and the Voltikus is plugged into a working AC power outlet with the power switch in the on position, the fuse may need to be replaced.

1. Disconnect the power cord from the electrical outlet.
2. Insert a flat blade screwdriver into the notch (8) at the bottom edge of the fuse holder (7) to release it.
3. Remove the fuses from the fuse holder. Replace them with 0.8A, 250VAC, 5 mm x 20 mm, Type T (Time Lag).
4. Re-insert the fuse holder into its position in the rear panel. Press the fuse holder gently until it clicks into place.



8. In the box

- VOLTIKUS audiophile grade ultra low noise power supply
- Owner's Manual
- DC Power cable

9. Technical Specifications

Input Power

- Nominal 100-120/220-240 VAC, 50 or 60Hz

- Actual 90-264 VAC, 50 or 60Hz

Fuses 0,8A, 250 VAC, 5 mm x 20 mm, Type F

Input Power Cord 3-Wire grounded / Lifted option

Terminals C14 panel mounted male connector (inlet)

Output

Voltage 18 VDC

Power (maximum) 18 W

Terminals Mini XLR

Safety Features

Overload / short circuit protection Automatic power limit / short circuit protection

Input Line Protection Fuse on both hot and neutral

Environmental

Operating Temperature 0-50°C / 32-122°F

Dimensions
Width - 106,5 mm / 4,2"
Height - 111,5 mm / 4,4"
Depth - 168,0 mm / 6.6"

Weight 2,0 kg / 4,4 lb



***Correct Disposal of This Product
(Waste Electrical & Electronic Equipment)***

(Applicable in the European Union and other European countries with separate collection systems)

This marking shown on the product or its literature, indicates that it should not be disposed with other household wastes at the end of its working life. To prevent possible harm to the environment or human health from uncontrolled waste disposal, please separate this from other types of wastes and recycle it responsibly to promote the sustainable reuse of material resources.

Household users should contact either the retailer where they purchased this product, or their local government office, for details of where and how they can take this item for environmentally safe recycling.

Business users should contact their supplier and check the terms and conditions of the purchase contract. This product should not be mixed with other commercial wastes for disposal.



www.AntelopeAudio.com