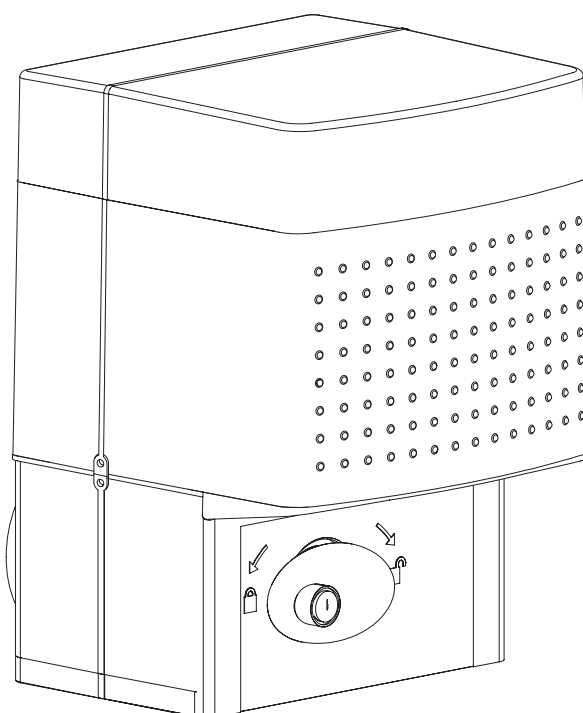




- I** ATTUATORE PER CANCELLI SCORREVOLI A CREMAGLIERA
- GB** ACTUATOR FOR RACK SLIDING GATES
- F** ACTIONNEUR POUR PORTAILS COULISSANTS A CREMAILLIERE
- D** ANTRIEB FÜR ZAHNSTANGEN-SCHIEBETORE
- E** SERVOMOTOR PARA CANCELAS CORREDERAS DE CREMALLERA
- P** ACCIONADOR PARA PORTÕES DE CORRER A CREMALLERA

ICARO

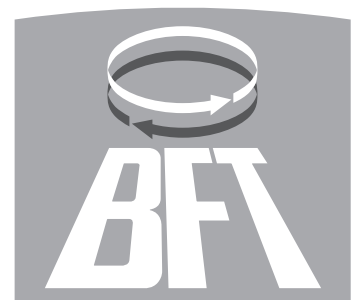


ISTRUZIONI D'USO E DI INSTALLAZIONE
INSTALLATION AND USER'S MANUAL
INSTRUCTIONS D'UTILISATION ET D'INSTALLATION
INSTALLATIONS-UND GEBRAUCHSANLEITUNG
INSTRUCCIONES DE USO Y DE INSTALACION
INSTRUÇÕES DE USO E DE INSTALAÇÃO



**AZIENDA CON SISTEMA DI GESTIONE
 INTEGRATO CERTIFICATO DA DNV
 = UNI EN ISO 9001:2000 =
 UNI EN ISO 14001:2004**

Via Lago di Vico, 44
 36015 Schio (VI)
 Tel.naz. 0445 696511
 Tel.int. +39 0445 696533
 Fax 0445 696522
 Internet: www.bft.it
 E-mail: sales@bft.it



Thank you for buying this product, our company is sure that you will be more than satisfied with the product's performance. The product is supplied with a "Warnings" leaflet and an "Instruction booklet". These should both be read carefully as they provide important information about safety, installation, operation and maintenance. This product complies with the recognised technical standards and safety regulations. We declare that this product is in conformity with the following European Directives: 2004/108/EEC and 2006/95/EEC (and subsequent amendments).

1) GENERAL OUTLINE

The ICARO actuator offers ample installation versatility, thanks to the extremely low position of the pinion, the compactness of the actuator and to the height and depth which can be very easily adjusted. It is equipped with an antisquash electronic device, which ensures utmost safety. The emergency manual release can be activated very easily by means of a knob featuring a personalised key.

The gate stop is controlled by electromechanical end-of-stroke microswitches or, for very cold areas, by proximity sensors.

The control board can be built-in or installed onto a separate cabinet.

2) SAFETY

If correctly installed and used, this automation device satisfies the required safety level standards. However, it is advisable to observe some practical rules in order to avoid accidental problems.

Before using the automation device, carefully read the operation instructions and keep them for future reference.

- Keep adults, children and property out of range of the automated system, especially while it is operating and when the motor is being used in dead-man mode (button with retainer).
- Activation of the release system could cause uncontrollable gate movements in the case where any unbalance or mechanical faults are present.
- Keep children, persons and things outside the automation working area, particularly during operation.
- Keep radio control or other control devices out of children's reach, in order to avoid any unintentional automation activation.
- Do not intentionally oppose the leaf movement.
- Do not attempt to open the gate by hand, if the actuator has not been released by means of the appropriate release knob.
- Do not modify the automation components.
- In case of malfunction, disconnect the power supply, activate the emergency release to gain access to the actuator and request the assistance of a qualified technician (installer).
- Before proceeding to any external cleaning operation, disconnect the mains powers supply.
- Keep the photocell optical components and luminous signal indication devices clean. Check that the safety devices (photocells) are not obscured by branches or shrubs.
- For any direct assistance to the automation system, request the assistance of a qualified technician (installer).
- Have qualified personnel check the automation system once a year.

3) MANUAL RELEASE

The manual or emergency release should only be activated when the gate has to be opened manually or whenever the automation is not correctly or totally functioning.

To carry out the emergency manoeuvre, proceed as follows:

- Insert the personalised key into the lock and turn it anticlockwise by 90°.
- Turn the release knob clockwise (fig. 1) as far as it will go. The pinion will therefore become idle and the gate can then be opened manually.
- Push the leaf of the gate all the way down to the end-of-stroke.

Warning: do not push the gate leaf roughly, but move it gently all along its stroke.

The key can be removed from the lock only after the knob has been moved back to its initial position (motor-driven operation)

- To re-activate motor-driven control, turn the knob anticlockwise as far as it will go. Move the key back to its closing position, remove it and then store it in a safe place, which is known to anyone who may need the knob.

4) MAINTENANCE AND DEMOLITION

The maintenance of the system should only be carried out by qualified personnel regularly. The materials making up the set and its packing must be disposed of according to the regulations in force.

Inspect the installation frequently to check that there are no signs of wear or damage to the springs or supports. If any maintenance work is deemed necessary, do not use the operator.

Check the system frequently, especially cables, springs or supports, to detect

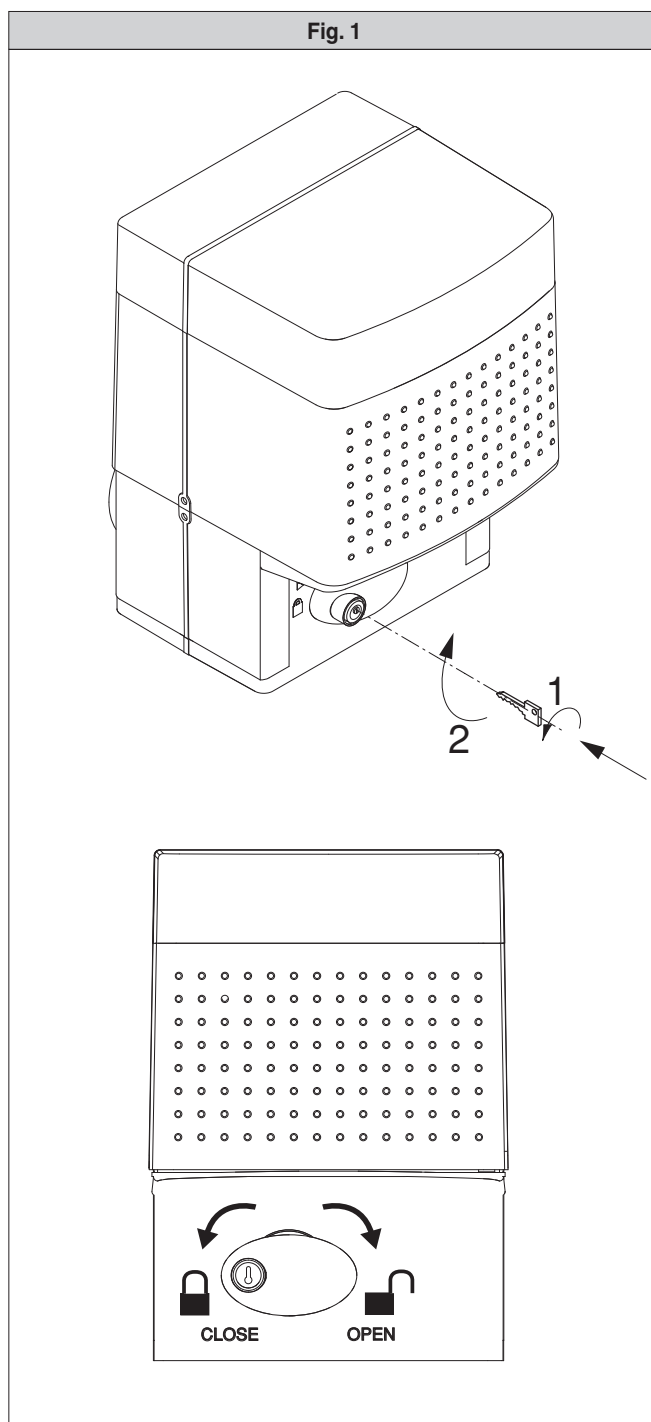
any loss of balance and signs of wear or damage.

In case of malfunction, disconnect the power supply, activate the emergency release to allow access, and request the assistance of a qualified technician (installer).

WARNINGS

Correct controller operation is only ensured when the data contained in the present manual are observed. The company is not to be held responsible for any damage resulting from failure to observe the installation standards and the instructions contained in the present manual.

The descriptions and illustrations contained in the present manual are not binding. The Company reserves the right to make any alterations deemed appropriate for the technical, manufacturing and commercial improvement of the product, while leaving the essential product features unchanged, at any time and without undertaking to update the present publication.



D811310_06

Thank you for buying this product, our company is sure that you will be more than satisfied with the product's performance. **The product is supplied with a "Warnings" leaflet and an "Instruction booklet". These should both be read carefully as they provide important information about safety, installation, operation and maintenance.** This product complies with the recognised technical standards and safety regulations. We declare that this product is in conformity with the following European Directives: 2004/108/EEC and 2006/95/EEC (and subsequent amendments).

1) GENERAL OUTLINE

The **ICARO** actuator offers ample installation versatility, thanks to the extremely low position of the pinion, the compactness of the actuator and to the height and depth which can be very easily adjusted. It is equipped with an antisquash electronic device, which ensures utmost safety. The emergency manual release can be activated very easily by means of a knob featuring a personalised key.

The gate stop is controlled by electromechanical end-of-stroke microswitches or, for very cold areas, by proximity sensors.

The control board can be built-in or installed onto a separate cabinet.

The gearmotor (fig. 1) is made up of the following:

M	Motor
R	Worm screw - worm wheel reduction gear
S	Electromechanical end-of-stroke unit or proximity sensor
P	Pinion with release
C	Control board with capacitor
E	Obstacle detection device (Encoder)

2) GENERAL SAFETY

WARNING! An incorrect installation or improper use of the product can cause damage to persons, animals or things.

- The "Warnings" leaflet and "Instruction booklet" supplied with this product should be read carefully as they provide important information about safety, installation, use and maintenance.
- Scrap packing materials (plastic, cardboard, polystyrene etc) according to the provisions set out by current standards. Keep nylon or polystyrene bags out of children's reach.
- Keep the instructions together with the technical brochure for future reference.
- This product was exclusively designed and manufactured for the use specified in the present documentation. Any other use not specified in this documentation could damage the product and be dangerous.
- The Company declines all responsibility for any consequences resulting from improper use of the product, or use which is different from that expected and specified in the present documentation.
- Make sure the stated temperature range is compatible with the site in which the automated system is due to be installed.
- Do not install the product in explosive atmosphere.
- The construction components of this product must comply with the following European Directives: 2004/108/CEE, 2006/95/EEC, 98/37/EEC and subsequent amendments. As for all non-EEC countries, the above-mentioned standards as well as the current national standards should be respected in order to achieve a good safety level.
- The Company declines all responsibility for any consequences resulting from failure to observe Good Technical Practice when constructing closing structures (door, gates etc.), as well as from any deformation which might occur during use.
- The installation must comply with the provisions set out by the following European Directives: 2004/108/CEE, 2006/95/EEC, 98/37/EEC and subsequent amendments.
- Disconnect the electrical power supply before carrying out any work on the installation.
- Fit an omnipolar or magnetothermal switch on the mains power supply, having a contact opening distance equal to or greater than 3,5 mm.
- Check that a differential switch with a 0.03A threshold is fitted just before the power supply mains.
- Check that earthing is carried out correctly: connect all metal parts for closure (doors, gates etc.) and all system components provided with an earth terminal.
- Installation must be carried out using safety devices and controls that meet standard EN 12978.
- Fit all the safety devices (photocells, electric edges etc.) which are needed to protect the area from any danger caused by squashing, conveying and shearing.
- Position at least one luminous signal indication device (blinker) where it can be easily seen, and fix a Warning sign to the structure.

- The Company declines all responsibility with respect to the automation safety and correct operation when other manufacturers' components are used.
- Only use original parts for any maintenance or repair operation.
- Do not modify the automation components, unless explicitly authorised by the company.
- Instruct the product user about the control systems provided and the manual opening operation in case of emergency.
- Do not allow persons or children to remain in the automation operation area.
- Keep radio control or other control devices out of children's reach, in order to avoid unintentional automation activation.
- The user must avoid any attempt to carry out work or repair on the automation system, and always request the assistance of qualified personnel.
- Anything which is not expressly provided for in the present instructions, is not allowed.
- The motor cannot be installed on gates which incorporate doors (unless the motor drive can work with the door open).
- Take care to avoid possible crushing, due to door movement, between the guided part and surrounding fixed parts.
- If present, the holding device (hold-to-run control) must be fitted within sight of the guided part and well away from the operator working area. Unless it is activated by means of a key, it should be positioned at least 1.5 m high and should not be accessible to the public.
- For operator movement, it is possible to use the fixing slots in the motor body, after removing the side covers (Fig.1).
- Make sure that persons are kept well away from the operator, in particular whenever the motor is used in «hold-to-run» mode.
- When using sliding gates which incorporate pedestrian doors, the motor must not work in the case where the door is left open.
- Check that the range of temperature indicated is compatible with the place of installation.
- During installation, the power supply wires must be laid at an adequate distance from the motor, in order to prevent them from being affected by excessive temperature.
- Power supply mains wires (230V) must be clearly separated from wires having very low safety voltage (SELV 24V), otherwise they must be provided with additional insulation, at least 1mm thick.

3) TECHNICAL SPECIFICATIONS

Power supply:230V ±10% single-phase 50Hz (*)
Motor revolutions:1400 min ⁻¹
Absorbed power:750 W
Capacitor:25 µF (230V).....:100 µF (110V)
Thermal protection:140 °C
Insulation class:F
Reduction gear ratio:1/38
Output revolutions:37 min ⁻¹
Pinion pitch:4 mm 18 or 25 teeth
Leaf speed:9m/min (18 teeth).....:12m/min (25 teeth)
Max. capacity:with pinion Z18 20.000 N(≈2000 kg)
with pinion Z25 10.000 N(≈1000 kg)
Max. torque:40 Nm
Impact reaction:Obstacle detection device (Encoder)
Lubrication:ERGOIL
Manual manoeuvre:Mechanical knob release
No. manoeuvres in 24 hours:continuous service
Control unit:LEO
Weather conditions:from -15 °C to +60 °C
Protection degree:IP 24
Dimensions:See fig.2
Actuator weight:25 kg

(*) Special voltages on request

4) PRELIMINARY CHECKS

Before proceeding to any installation work, check that the gate structure conforms to whatever is prescribed by the current standards, and in particular that:

- The gate sliding track is linear and horizontal, and the wheels are suitable for supporting the gate weight.
- The gate manual operation can be carried out smoothly along its entire run, and there is no excessive side slipping.
- A correct play is provided between the upper guide and the gate to ensure regular noiseless movement.
- The opening and closing gate stops are positioned.
- The established position for gearmotor fixing allows the emergency

manoeuvre to be carried out smoothly and safely. In the case where the elements checked do not meet the above requirements, proceed to carrying out the necessary corrective actions or replacements.

WARNING: Remember that control devices are intended to facilitate gate operation, but can not solve problems due to any defects or deficiency resulting from failure to carry out correct installation or maintenance.

Take the product out of its packing and inspect it for damage. Should it be damaged, contact your dealer. Remember to dispose of its components (cardboard, polystyrene, nylon, etc.) according to the current prescriptions.

5) BASE PLATE ANCHORING

5.1) Standard position

- Dig a hole where the cement pad with the buried base plate log bolts is to be placed in order to fix the reduction gear unit (fig.3). If the sliding track is already there, digging must be partly carried out in the track foundation casting. This way, should the track foundation casting sag, the gearmotor base would also lower, thus maintaining the play between pinion and rack (approximately 1-2 mm).
- Position the base plate according to the dimensions specified in fig.4.
- The pinion symbol printed on the base plate must be visible and directed towards the gate. This also ensures the correct positioning of the raceways for electrical connections.
- Let the flexible pipes containing electrical cables protrude from the base plate.
- In order to keep the base plate in its correct position during installation, it may be useful to weld two iron flat bars under the track, and then weld the log bolts onto them (fig.3).
- Make a concrete casting in such a way as to embody the base plate casting into that of the gate track.
- Accurately check that:
 - The positioning dimensions are correct.
 - That the base plate is well levelled.
 - That the 4 stud threads are well clear of cement.
 - Let the casting harden.

5.2) Other positions

The gearmotor can be positioned in different ways. In the case where the gearmotor is not fixed on the level of the sliding track (**Standard position**), you must ensure that the gearmotor is tightly secured also in relation to the gate position, so as to maintain a correct play (1-2mm) between rack and pinion. The current safety standards with respect to persons, animals and things must be strictly observed, and in particular risks of accidents due to squashing in the area of pinion-rack meshing, as well as other mechanical risks, must be carefully avoided. **All the critical spots must be protected by safety devices in compliance with the current prescriptions.**

6) GEARMOTOR FIXING

When the casting has hardened, observe fig. 6 and proceed as follows:

- Position an M10 nut on each of the tie rods, keeping a distance of at least 25mm from the base to allow the gearmotor to be lowered after the installation is completed, or for subsequent adjustments of the play between pinion and rack.
- Position a plate "P" supplied as standard on each pair of tie rods and, with the help of a level, adjust the plane in both directions.
- Remove the cover and screw-cover guard from the gearmotor, and position the reduction gear unit on the four tie rods with the pinion facing the gate.
- Position the two upper plates P (Fig.6) and tighten the four locking nuts of the gearmotor.
- Adjust the depth of the gearmotor, making it slide in the appropriate slots found in the base, and fix it at a distance between pinion and gate which is adequate to the type of rack to be installed. The rack teeth must mesh into the pinion along their entire width. In the paragraph headed "Rack fitting" we specify the measurements and installation methods of the most widely used types of rack.

7) RACK FITTING

A rack having a 4 tooth pitch must be fitted to the gate. As far as the length is concerned, this must include the passage space, as well as the space for securing the brackets activating the limit microswitches, and for the pinion meshing section. There are different types of rack, each one differing in terms of capacity and gate fixing method. The Company markets three types of racks, which are.

7.1) Mod. CFZ (Fig.7).

Galvanised iron rack - 22x22mm section - supplied in 2 - metre lengths - capacity over 2000kg (\approx 20000N). First weld these pieces onto an adequate iron angle bar and then weld the lot to the gate. Besides maintaining the distance between the rack and the side of the gate, the angle bar makes it easy to fix the rack to the gate, even when the latter is subject to slight side slipping. When join welding the various rack pieces, you are advised to arrange a section of rack as in (fig.8) to ensure a correct pitch along the entire length of the rack.

7.2) Mod. CPZ (Fig.7).

Plastic rack - 22x22mm section - supplied in 1 - metre lengths - max. capacity 500kg (\approx 5000N). This model is to be fixed to the gate by means of normal or self-threading screws. Also in this case, you are advised to insert a section of rack the other way round in the joint between the various pieces, so as to maintain the correct tooth pitch. This type of rack is quieter and allows height adjustments to be made even after having been fixed, using the slots provided.

7.3) Mod. CVZ (Fig.7)

Galvanised iron rack - 30x12mm section - supplied in 1 - metre lengths - threaded spacers to be welded - max. capacity 2000kg (\approx 20000N). Having fixed the spacers in the middle of each of the slots in the various rack pieces, weld the spacers to the gate. Also in this case, arrange a section of rack the other way round in the joining points of the various rack pieces to ensure a correct tooth pitch. The screws which fix the rack to the spacers allow the rack to be adjusted in height.

7.4) Rack fitting

To fit the rack, proceed as follows:

- Activate the emergency release by rotating the appropriate release knob (See paragraph "Emergency manoeuvre").
- Rest the rack end on the control pinion and secure it (by welding or using screws) in correspondence with the pinion, while sliding the gate along by hand (fig. 9).
- In the case of incorrect gate alignment (excessive side curving) which cannot be corrected, place a few shims between the rack and gate in order to ensure continuous centring of the rack with respect to the pinion (fig. 10).

DANGER - The welding operation is to be carried out by a competent person who must be provided with all the personal protection equipment required by the current safety standards.

8) PINION ADJUSTMENT

Having finished fixing the rack, the rack-pinion play needs to be adjusted to approximately 2mm (fig.6): this is obtained by slackening the four M10 nuts under the gearmotor base by approximately 2mm, and then securing the four upper nuts. Make sure that the rack and pinion are aligned and centred (fig.10).

WARNING - Remember that the rack and pinion life strictly depends on their correct meshing.

9) ELECTROMECHANICAL LIMITING DEVICES

The operation must be carried out with the emergency release activated and the mains power supply disconnected. The runners which control the limiting devices are to be positioned at both ends of the rack.

- Push the gate fully open by hand.
- Position the opening end-of-stroke runner (fig.11) so that it intercepts the microswitch control lever and makes it trigger. Having identified the correct position, tighten the runner screws.
- Push the gate fully closed by hand.
- Position the closing end-of-stroke runner (fig.11) so that it intercepts the microswitch control lever and makes it trigger. Having identified the correct position, tighten the runner screws.
- The runners must lock the gate before this intercepts the mechanical backstops placed on the track. The closing end-of-stroke runner adjustment must be made in such a way as to leave a clearance of approximately 50mm between the gate and the fixed swing leaf, as prescribed by the current safety standards, otherwise fit an electric edge at least 50mm thick (fig.12).

10) GATE BACKSTOPS

DANGER - The gate must be provided with mechanical backstops, both on opening and closing, in order prevent it from coming out of the upper guide (fig.13); the backstops must be tightly secured to the ground, a few centimetres beyond the electrical stop point.

11) ELECTRICAL INSTALLATION SETUP

Lay out the electrical installation as shown in fig.15 with reference to the CEI

64-8 and IEC364 provisions complying with the HD384 and other national standards in force for electrical installation.

WARNING! For connection to the mains, use a multipolar cable having a minimum cross section of 3x1.5 mm² and complying with the current standards. (For example, if the cable is not protected, it must be at least equal to H07 RN-F, whereas if it is protected it must be at connect the control and safety devices in compliance with the previously mentioned technical installation standards.

The power supply cable must be stripped in order to allow the earth wire to be connected to the appropriate terminal, leaving the active wires as short as possible. This is to ensure that the earth wire is the last to stretch in the case where the cable fixing device becomes loose.

The cables (mains and auxiliary) must be distinctly separated in their cable clamp (P1-P2/Fig.16).

Fig.15 shows the number of connections and their cross sections for a length of approximately 100 metres; for greater lengths, calculate the cross section for the true automation load.

The main automation components are (fig.15):

- I** Type-approved adequately rated omnipolar circuit-breaker with at least 3,5 mm contact opening, provided with protection against overloads and short circuits, suitable for cutting out automation from the mains. If not already installed, place a type-approved omnipolar circuit-breaker with a 0.03A threshold just before the automation system.
- QR** Control panel and incorporated receiver.
- S** Key selector.
- AL** Blinker with tuned antenna.
- M** Actuator
- P** Wall-mounted pushbutton panel.
- Fte, Fre** Pair of external photocells.
- T** 1-2-4 channel transmitter.

12) TERMINAL BOARD CONNECTIONS

First pass the appropriate electric cables through the raceways and fix the various automation components to the chosen points, then connect them following the directions and diagrams contained in the control unit instruction manual.

Carry out phase, neutral and (compulsory) earth connections. The protection wire (earth) with yellow/green insulating sheath must be connected to the appropriate terminals marked by their symbol.

Operate the automation only after having connected and checked all the safety devices.

Power cables must be stripped as little as possible. The power cable's earth wire must be stripped further so as to reach the terminal provided in the box specifically for this purpose. Furthermore, it must be the last wire to be pulled taut in the event the cable's fastening device comes loose (fig. 16 ref. "A"). The P1 cable-clamp is reserved for the mains power supply cables, the P2 cable-clamp is reserved for the accessory cables and safety devices.

The cables must be tied by additional fastening next to the terminals, by means of clips for example.

All the operator wiring operations must be carried out by qualified personnel.

A description of the terminals in the control board mod. LEO mounted on the actuator (fig.14) is provided here below:

- JP1**
 - 1 \perp GND terminal
 - 2-3 Single-phase mains supply 230V±10% 50Hz (2=N) (3=L)
- JP2**
 - 4-5 Blinker connection (mains voltage) 40W Max.
 - 6-7-8-9 Motor connection:
 - 6 operation 1 (brown) + capacitor
 - 7 common (blue)
 - 8 operation 2 (black)
 - 9 capacitor
- JP3**
 - 10-11 Output 24V 1A max – power supply for photocells or other devices.
 - 12-13 Gate-open warning light output (24V 3W max)
- JP5** Encoder connection

WARNING! The maximum length of the connection cable of the encoder should not exceed 3.00 m.
- JP6**
 - 21-22 Open-Close button (N.Or. Start), key selector.
 - 21-23 Block button (N.C. Stop). If not used, leave jumped.
 - 21-24 Photocell input (N.C.). If not used, leave jumped.
 - 21-25 Opening limit switch connection (N.C. SWO). If not used, leave

jumped.

- 21-26 Closing limit switch connection (N.C. SWC). If not used, leave jumped.
- 21-27 Pedestrian button connection (N.O. Ped)
- 21-28 Open-Button connection (N.O. Open)
- 21-29 Close-Button connection (N.O. Close)
- 21-30 Rubber edge connection (N.C.). If not used, leave jumped.
- 21-31 Timer input connection (N.O.). If the contact is open the leaves close and the gate is ready for normal operation. If the contact is closed (N.C.), the leaves open and remain open until the contact is opened. If not used, leave jumped.

JP9

- 34 TX1 serial output
- 35 TX2 serial output
- 36 RX1 serial input
- 37 RX2 serial input
- 38-39 Antenna input for snap-in radio receiver board (38 signal - 39 braid). Cable RG58
- 40-41 Second radio channel output of twin-channel receiver board

WARNING - If the opening direction is not correct, invert the motor connections no. 6 and 8 and connections no. 25 and 26 of the opening and closing limit switches.

13) MOTOR TORQUE SETTING

WARNING: Check that the impact force value measured at the points established by the EN 12445 standard is lower than that specified in the EN 12453 standard.

The setting of the motor torque is electronically controlled by an encoder. Refer to the LEO control board instructions for a correct setting of the electronic antisquash safety device.

WARNING! The ICARO actuator does not offer the possibility of adjusting the safety clutch. It is therefore necessary to use a control board prearranged for the electronic control of the motor torque.

14) MANUAL RELEASE

The manual or emergency release should only be activated when the gate has to be opened manually or whenever the automation is not correctly or totally functioning.

To carry out the emergency manoeuvre, proceed as follows:

- Insert the personalised key into the lock and turn it anticlockwise by 90°.
- Turn the release knob clockwise (fig. 17) as far as it will go. The pinion will therefore become idle and the gate can then be opened manually.
- Push the leaf of the gate all the way down to the end-of-stroke.

Warning: do not push the gate leaf roughly, but move it gently all along its stroke.
- The key can be removed from the lock only after the knob has been moved back to its initial position (motor-driven operation)
- To re-activate motor-driven control, turn the knob anticlockwise as far as it will go. Move the key back to its closing position, remove it and then store it in a safe place, which is known to anyone who may need the knob.

15) INSTALLATION CHECK

Before the automation device finally becomes operational, scrupulously check the following conditions:

- Check that all the safety devices (limit microswitches, photocells, electric edges etc) operate correctly.
- Check that the rack and pinion are correctly meshed (minimum play 2mm).
- Check that the pushing force of the gate is within the limits provided for by the current standards.
- Check that the opening and closing end-of-stroke runners are correctly positioned and tightly secured.
- Check the starting and stopping operations using the manual control.
- Check the starting and stopping operations using the remote radio control.
- Check the normal or customised operation logic.
- Check the manual release device for correct operation.

16) AUTOMATION DEVICE USE

Since the automation device can be controlled both remotely and in sight, by means of a radio control device or a button, all the safety devices must be frequently checked in order to ensure their perfect efficiency.

WARNING! In the event of any safety device malfunction, request immediate assistance from qualified personnel. Children must be kept at a safe distance from the automation operation area.

17) AUTOMATION CONTROL

The use of this control device allows the gate to be opened and closed automatically. There are different types of controls (manual, radio control, magnetic card access etc.) depending on the installation requirements and characteristics. For the various control systems, see the relevant instructions.

The installer undertakes to instruct the user about correct automation operation, also pointing out the actions to be taken in case of emergency.

18) MAINTENANCE

WARNING! Before proceeding to any maintenance, disconnect the mains power supply and, if the battery is fitted, one of its poles.

These are the check and maintenance operations to be carried out:

- Check the condition of lubrication of the metal racks once a year.
- Keep the sliding track always clean and free from debris.
- Occasionally clean the photocell optical elements.
- Have a qualified technician (installer) check the correct torque limit setting.
- When any operational malfunction is found, and not resolved, disconnect the mains power supply and request the assistance of a qualified technician (installer). When the automation controller is out of service, you can activate the manual release device (see paragraph on "Emergency manoeuvre") in order to set the pinion idling and therefore allow the gate to be opened and closed by hand.

19) NOISE

The environmental noise produced by the gear-motor in normal operation conditions is constant and does not exceed 70 dB (A).

20) SCRAPPING

Materials must be disposed of in conformity with the current regulations. In case of scrapping, the automation devices do not entail any particular risks or danger. In case of materials to be recycled, these should be sorted out by type (electrical components, batteries, copper, aluminium, plastic etc.).

21) DISMANTLING

When the automation system is disassembled to be reassembled on another site, proceed as follows:

- Disconnect the power supply and the entire electrical installation.
- Remove the gearmotor from its fixing base.
- Disassemble the control panel, if separate, and all installation components.
- In the case where some of the components cannot be removed or are damaged, they must be replaced.

22) MALFUNCTIONS AND REMEDIES

22.1) Faulty actuator operation

- Use an appropriate instrument to check that the actuator ends are supplied with voltage after the opening or closing command.
- If the leaf movement is opposite to that required, reverse the motor drive connections in the control unit.

22.2) Faulty operation of electrical accessories

In case of fault, all the control and safety devices can cause the automation controller to malfunction or lock. If the control unit is provided with self-diagnosing facility, identify the fault. If a fault is found, it is advisable to disconnect and, if necessary, bridge, all the automation control devices one by one, until the one causing the fault is identified. Replace or repair it, then reset all the devices which were previously disconnected or bridged. For all the devices installed, make reference to the respective instruction manual.

WARNING! Correct controller operation is only ensured when the data contained in the present manual are observed. The company is not to be held responsible for any damage resulting from failure to observe the standards relating to safety, installation and good technical practice, as well as the instructions contained in the present manual.

The descriptions and illustrations contained in the present manual are not binding. The Company reserves the right to make any alterations deemed appropriate for the technical, manufacturing and commercial improvement of the product, while leaving the essential product features unchanged, at any time and without undertaking to update the present publication.

Fig. 1

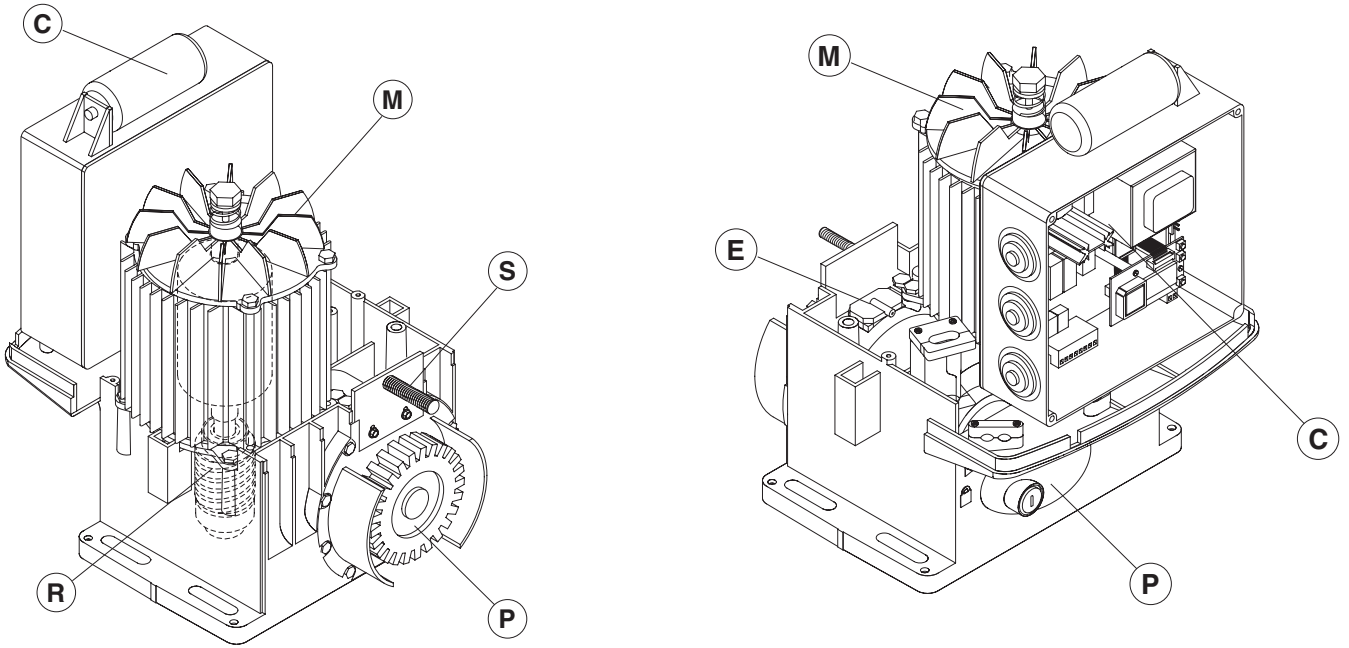


Fig. 2

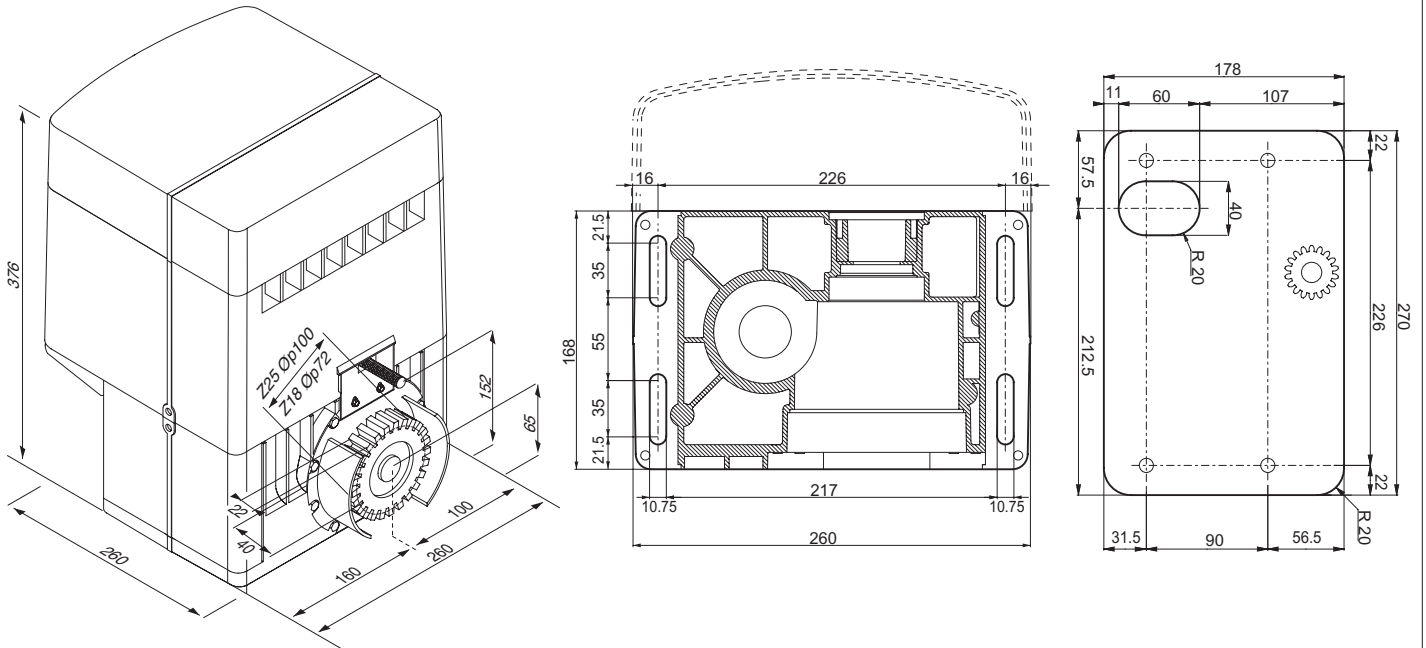


Fig. 3

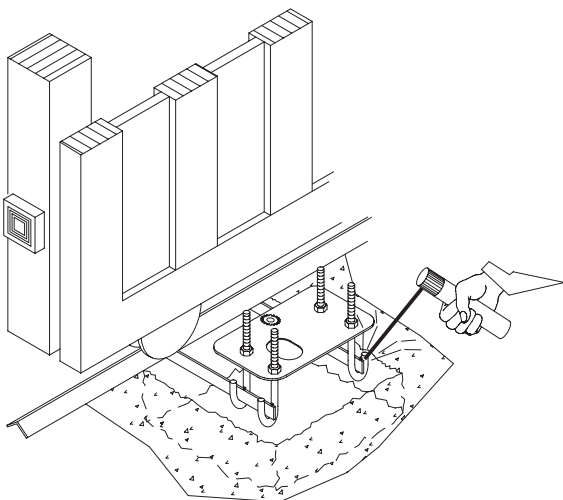


Fig. 4

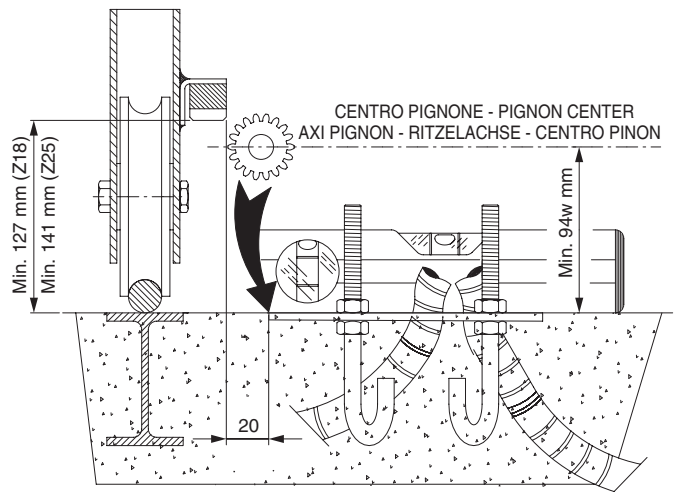


Fig. 6

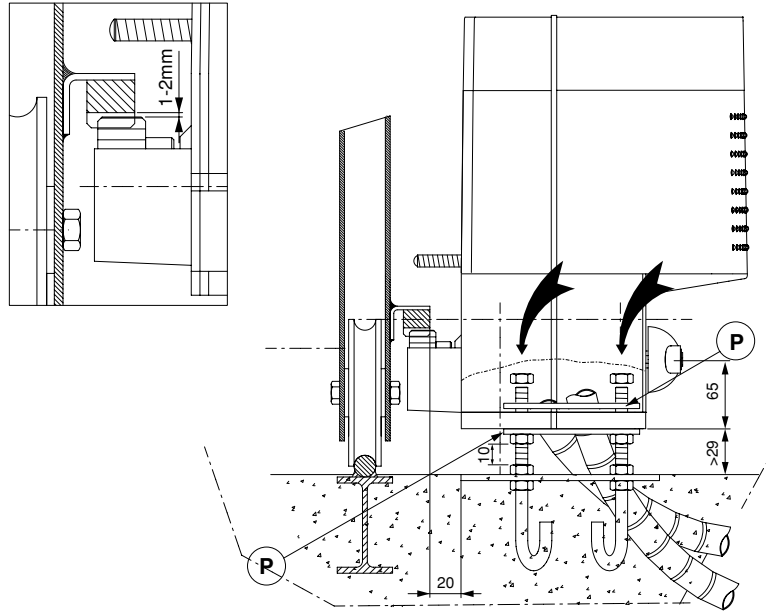


Fig. 7

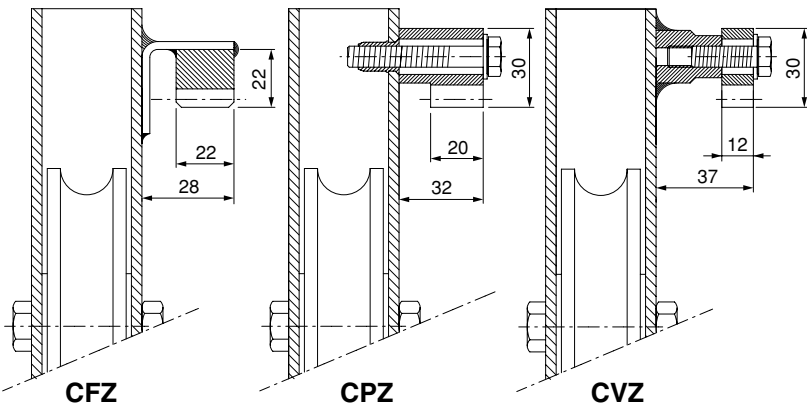


Fig. 8

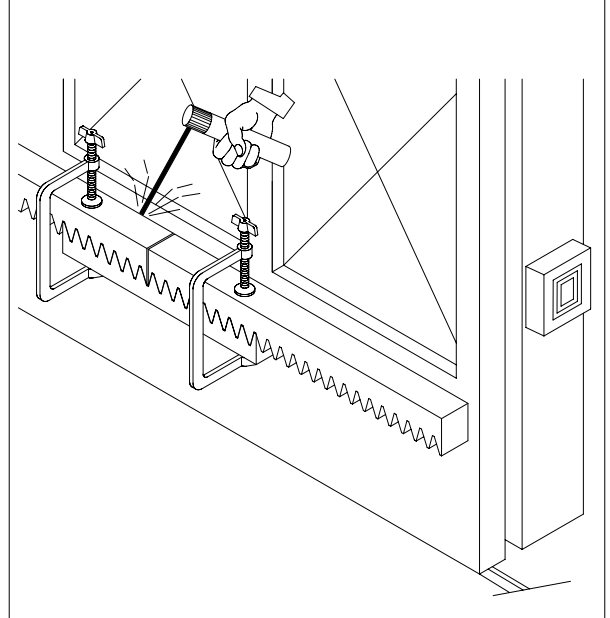


Fig. 9

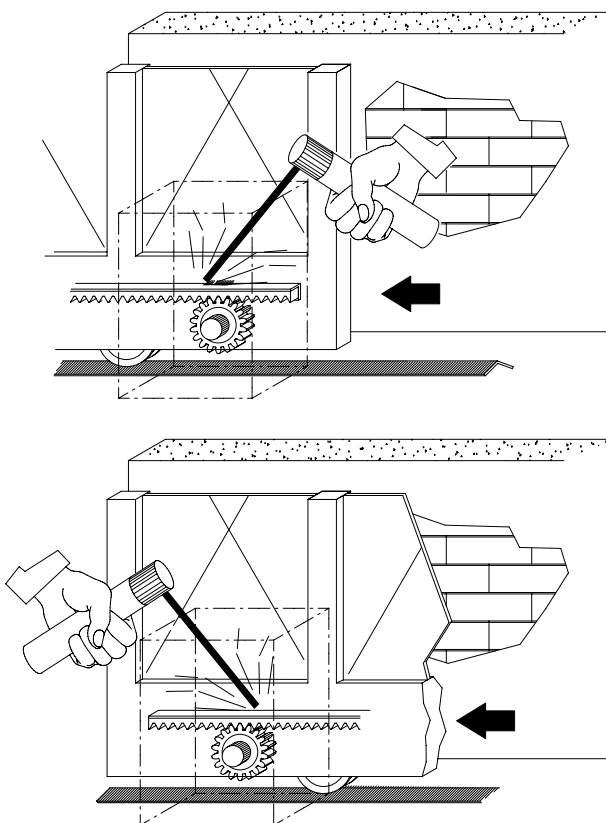


Fig. 10

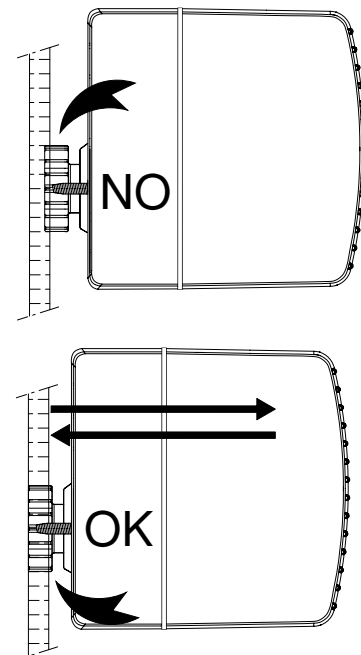


Fig. 11

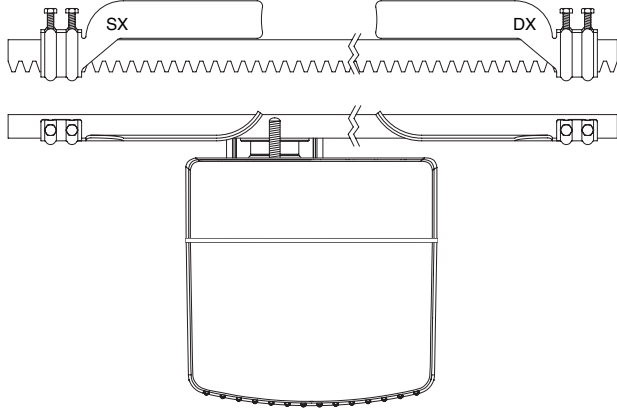


Fig. 12

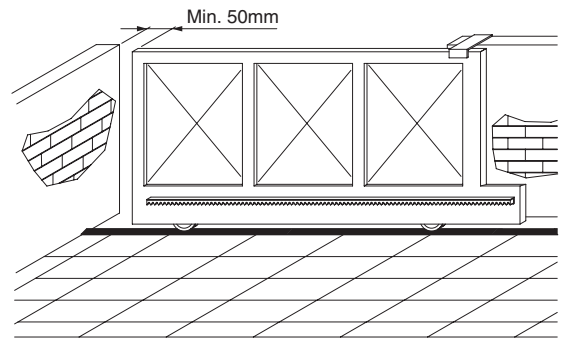


Fig. 13

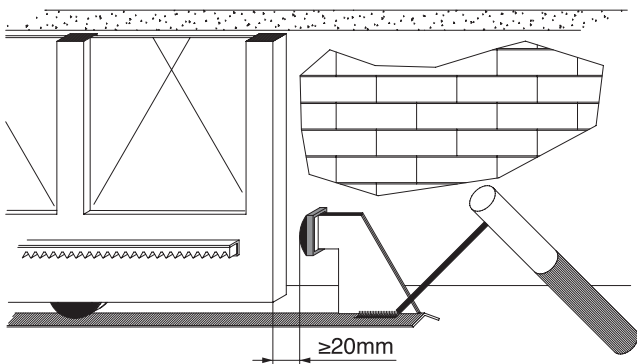


Fig. 14

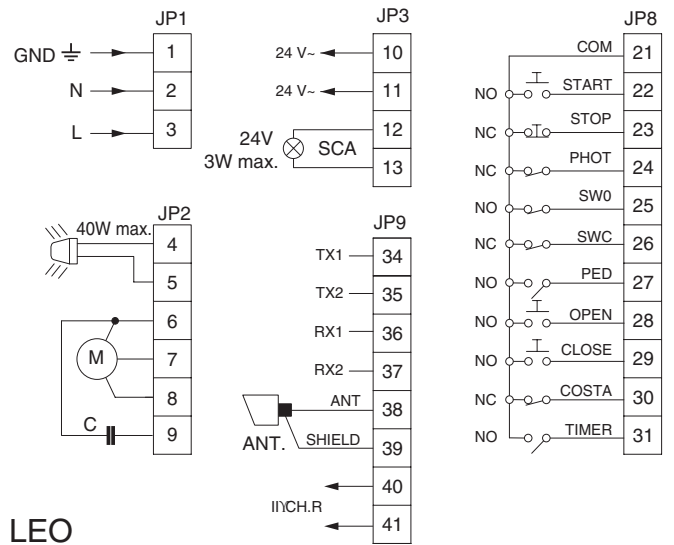


Fig. 15

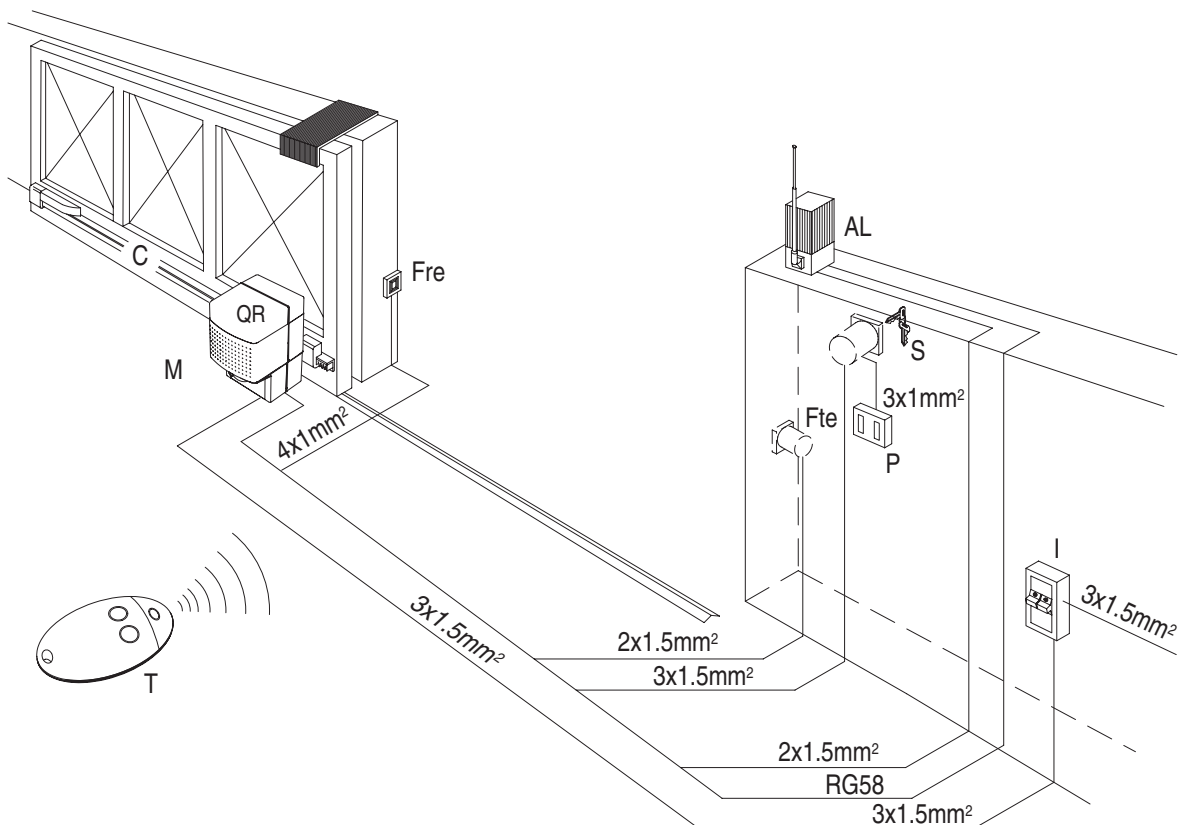


Fig. 16

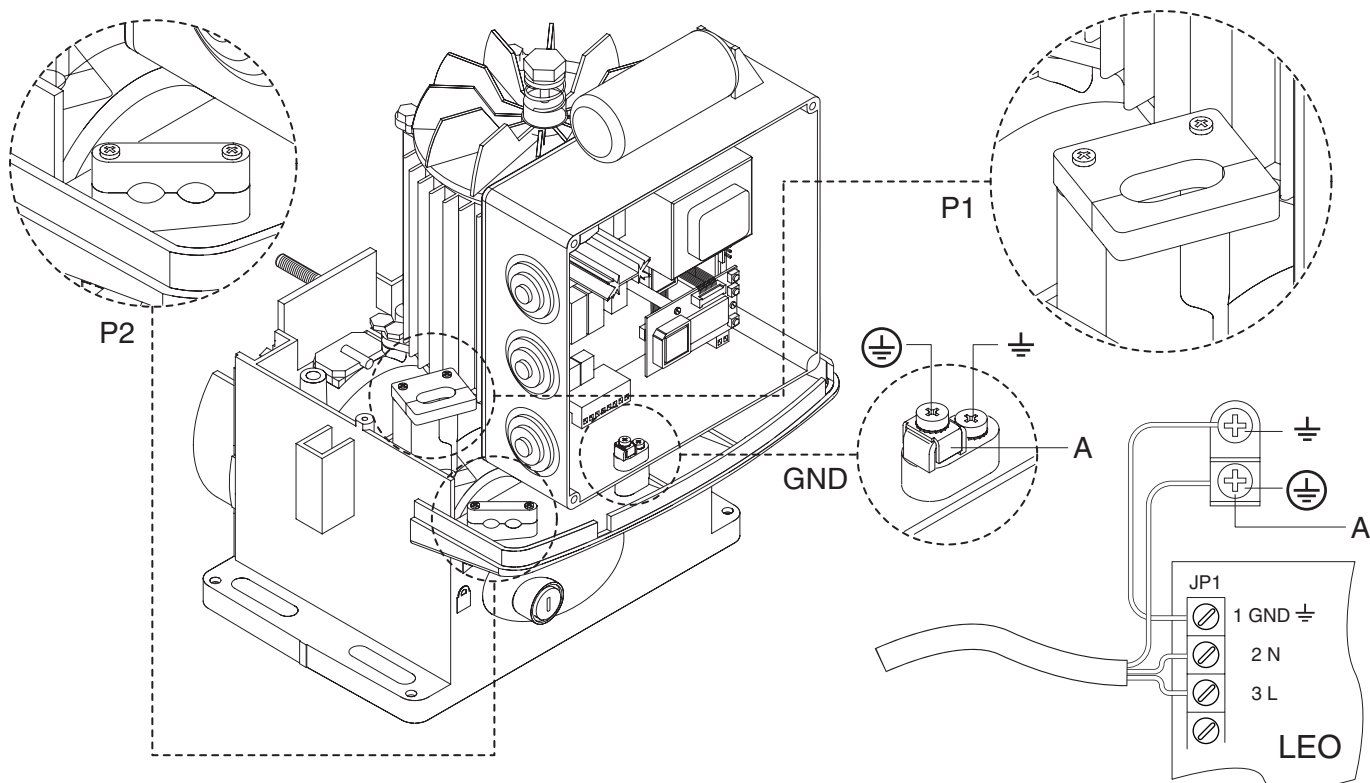
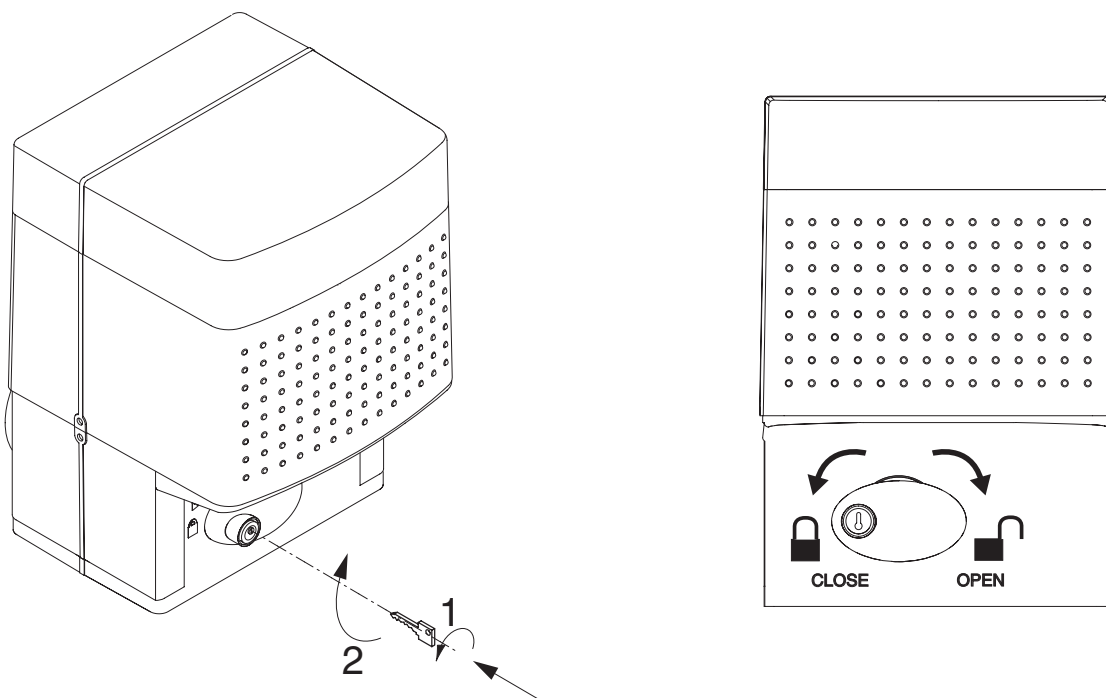


Fig. 17



BFT S.P.A.
Via Lago di Vico 44, 36015 Schio (Vi) - **Italy**
tel. +39 0445 69 65 11 / fax. +39 0445 69 65 22
www.bft.it / e-mail: info@bft.it

AUTOMATISMES BFT FRANCE
13 BdL E. Michelet, 69008 Lyon - **France**
tel. +33 (0)4 78 76 09 88 - fax +33 (0)4 78 76 92 23
e-mail: contacts@automatismes-bft-france.fr



BFT Torantriebssysteme GmbH
Faber-Castell-Straße 29
D - 90522 Oberasbach - **Germany**
tel. +49 (0)911 766 00 90 - fax +49 (0)911 766 00 99
e-mail: service@bft-torantriebe.de

BFT Automation UK Ltd
Unit 8E, Newby Road
Industrial Estate Hazel Grove, Stockport,
Cheshire, SK7 5DA - **UK**
tel. +44 (0) 161 4560456 - fax +44 (0) 161 4569090
e-mail: info@bftautomation.co.uk

BFT BENELUX SA
Parc Industriel 1, Rue du commerce 12
1400 Nivelles - **Belgium**
tel. +32 (0)67 55 02 00 - fax +32 (0)67 55 02 01
e-mail: info@bftbenelux.be

BFT-ADRIA d.o.o.
Obrovac 39
51218 Dražice (Rijeka)
Hrvatska - **Croatia**
tel. +385 (0)51 502 640 - fax +385 (0)51 502 644
e-mail: info@bft.hr

BFT Polska Sp. z o.o.
ul. Kołacińska 35
03-171 Warszawa - **Poland**
tel. +48 22 814 12 22 - fax +48 22 814 39 18
e-mail: biuro@bft.com.pl

BFT USA BFT U.S., Inc.
6100 Broken Sound Pkwy. N.W., Suite 14
Boca Raton, FL 33487 - **U.S.A.**
T: +1 561.995.8155 - F: +1 561.995.8160
TOLL FREE 1.877.995.8155 - info.bft@bft-usa.com

BFT GROUP ITALIBERICA DE AUTOMATISMOS S.L.
Pol. Palou Nord,
Sector F - C/Cami - Can Basa nº 6-8 08401 Granollers -
(Barcelona) - Spain
tel. +34 938 61 48 28 - fax +34 938 70 03 94
e-mail: bftbcn@bftautomatismos.com

P.I. Comendador - C/
informática, Nave 22 - 19200 Azuqueca de henares
(Guadalajara) - Spain
tel. +34 949 26 32 00 - fax +34 949 26 24 51
e-mail: administracion@bftautomatismos.com

BFT SA-COMERCIO DE AUTOMATISMOS E MATERIAL DE SEGURANÇA
Urbanizaçao da Pedrulha Lote 9 - Apartado 8123,
3020-305 COIMBRA - **PORTUGAL**
tel. +351 239 082 790 - fax +351 239 082 799
e-mail: geral@bftportugal.com