

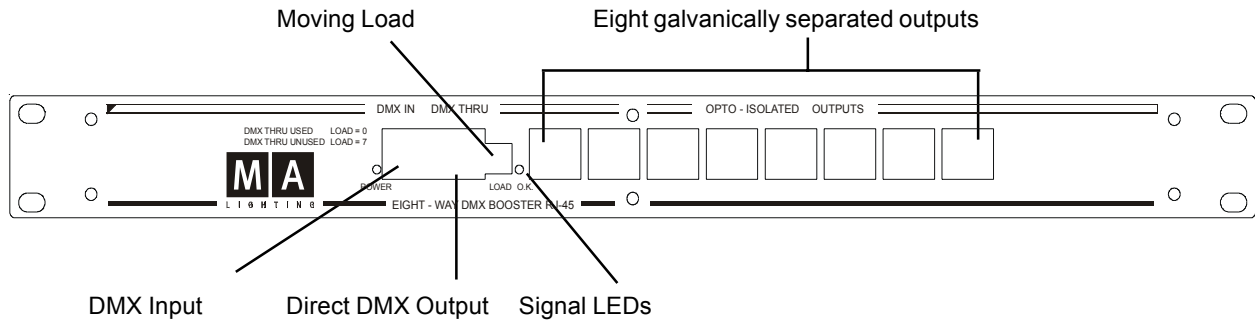
MA Eight - Way Booster RJ-45

The MA Eight-Way Booster RJ-45 simplifies the distribution of the DMX signal and contributes to the safe operation of your DMX equipment.

The risk of only one single loop is thus being avoided and cable loss is being reduced.

The MA Eight-Way Booster RJ-45 distributes DMX 512 (1990) signals on to 8 separate outputs.

The direct output (DMX THRU) operates an independent (from the unit) distribution of the DMX signal (e.g. in case of power failure)).



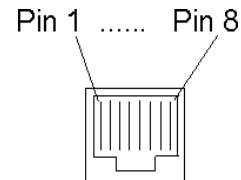
FEATURES:

- DMX IN: DMX Input with Overload Protection
- DMX THRU: Direct DMX Output
- OUTPUTS: Eight galvanically separated, enforced outputs
All DMX Outputs are protected against overload
- LOAD: Moving Load adjustable via knob, in case this unit is the last DMX receiver or distributor
- POWER: LED confirms power supply
- O.K.: LED confirms the proper receipt of data

TECHNICAL DATA:

- Power Supply 100-240 VAC / 50Hz or 60Hz
- Signal in/out DMX 512 via RJ-45;
Pin assignment:
Pin 1 = Data +
Pin 2 = Data -
Pin 3-6 = Not assigned
Pin 7 = Data-Ground
Pin 8 = Not assigned

Front View of RJ45 socket



Measurements 19 Inch (483mm) / 1 Unit (44,5mm)
Housing W x H x D (mm): 435 x 42 x 170
Weight 2,2 Kg

USER INSTRUCTIONS:

Connect your MA Eight-Way Booster RJ-45 with your system.

>**NOTE:** The LOAD knob should have the basic setting of either "0" or "1".

Choose a different setting for the moving load, if the unit is going to be the last DMX receiver.

LOAD	0	1	2	3	4	5	6	7	8	9
OHM	5k	1k	500	300	220	180	150	120	100	90

(Back panel print)

Feed in DMX signal.

Please note, that the POWER and SIGNAL OK LEDs should be on now.

>**NOTE:** The brightness of the SIGNAL IN LED depends on the signal itself.

- THE UNIT IS NOW READY FOR OPERATION -

ACTIONS IN CASE OF AN ERROR:

If the booster can not be set in operating mode, please check the safety fuse.

Normal operation will be confirmed by POWER and OK LED.

Errors can be caused by:

- Contact problems on cables and sockets
- Short circuit and/or reversed poles within the wiring
- Missing ground or missing data cable on one of the connections
- Missing moving load resistor
- Unsuitable cable and extreme cable lengths

>**NOTE:** With total failure of the unit, only the DMX THRU output will continue working.

MADE IN GERMANY

-- Technical changes are subject to alterations --

Important Safety Instructions

1. Read all the instructions in the user manual carefully.
2. Keep the user manual for later use.
3. Follow all instructions and warning notes on the unit.
4. Pull all plugs before cleaning the unit; do not use any liquid or spray cleanser. Clean with a damp cloth.
5. Do not use the unit near water.
6. Do not put the unit on unstable surfaces or tables etc.. It might fall down and get damaged.
7. There are slots in the housing for ventilation; do not cover these slots because they guarantee the reliable operation of the unit and protect it against overheating. The unit should only be mounted into a rack if sufficient ventilation is guaranteed.
8. The unit is provided with a safety plug. This plug can only be used with safety sockets. These safety measures should by all means be followed. In case the plug does not fit the socket (e.g. with old sockets), the socket should be replaced by an electrician.
9. Do not place any objects on the power cable and make sure nobody can step on it.
10. In case you use an extension cord make sure the sum of the power consumption of the connected units does not exceed the maximum power of the extension cord. Furthermore the quantity of connected units to the socket must not exceed 10 Ampere.
11. Do not spill any liquid on the unit. Do not insert any objects through the slots of the unit, as these might get in contact with parts that are live or might cause short circuits. These may cause fires and/or shocks.
12. Do not service the unit yourself, as live components are being uncovered upon opening and removing the housing, so there is a risk of getting a shock, etc.. Make sure to have all maintenance done by qualified service technicians.
13. If one of the following conditions occurs, please pull the plug and call the service:
 - A. Wire or plug is damaged or worn.
 - B. Liquid got into the unit.
 - C. The unit was exposed to rain or got damp.
 - D. The unit does not work properly even when following the instructions of the users manual. Only set those components mentioned in the instructions, as the improper setting of other components can lead to severe damage; the later repair of such damages by a technician is often very time-consuming.
 - E. The unit fell down and the housing was damaged.
14. Only use power cables which are marked safety proof.
15. Do not use any high-power walkie-talkies or similar items near the unit.

Declaration of Conformity	according to 89/336 EWG and 92/31 EWG:
Manufacturer:	MA Lighting Technology GmbH
Manufacturer's address:	Dachdeckerstrasse 16 D-97247 Waldbüttelbrunn
<i>confirms that the product</i>	
Product Name:	MA Eight-Way Booster RJ-45
Product Type:	MA Booster RJ-45
<i>complies with the following product specifications:</i>	
Safety:	EN60065, VDE0860, IEC65
EMV (EMC):	EN55103-1 (E1), EN50081-1 EN55103-2 (E2), EN50082-1

Additional Information: All DMX512- In- and Output cables have to be screened and the screen has to be connected to the ground of the respective socket.

Waldbüttelbrunn, 01.01.2001

leit. Dipl. Ing. Michael Adenau

