

# **mitsubishi**

---

# **Digital-Analog Converter Module Type AJ65SBT-62DA**

---

## **User's Manual** (Hardware)

Thank you for buying the Mitsubishi general-purpose programmable controller MELSEC Series

Prior to use, please read both this manual and detailed manual thoroughly and familiarize yourself with the product.



MODEL	AJ65S-62DA-U-H-JE
MODEL CODE	13JT10
IB(NA)-0800139-G(1112)MEE	

# ● SAFETY PRECAUTIONS ●

(Read these precautions before using this product.)

Before using this product, please read this manual and the relevant manuals carefully and pay full attention to safety to handle the product correctly.

These precautions apply only to this equipment.

Refer to the user's manual of the CPU module to use for a description of the programmable controller system safety precautions.

In this manual, the safety precautions are classified into two levels:

"⚠WARNING" and "⚠CAUTION".

## ⚠WARNING

Indicates that incorrect handling may cause hazardous conditions, resulting in death or severe injury.

## ⚠CAUTION

Indicates that incorrect handling may cause hazardous conditions, resulting in minor or moderate injury or property damage.

Under some circumstances, failure to observe the precautions given under "⚠CAUTION" may lead to serious consequences.

Observe the precautions of both levels because they are important for personal and system safety.

Make sure that the end users read this manual and then keep the manual in a safe place for future reference.

## [Design Precautions]

### ⚠WARNING

- Configure safety circuits external to the programmable controller to ensure that the entire system operates safely even when a fault occurs in the external power supply or the programmable controller. Failure to do so may result in an accident due to an incorrect output or malfunction.
  - (1) The status of analog output depends on the setting of various functions that control the analog output. Exercise great caution when setting those functions.

For details of analog output status, refer to Section 3.4.1 "Combinations of various functions" in the user's manual for the module.
  - (2) Due to failure of the output element or internal circuit, normal output may not be obtained correctly.

Configure an external circuit for monitoring output signals that could cause a serious accident.

## [Design Precautions]

### CAUTION

- Do not install the control lines or communication cables together with the main circuit lines or power cables.  
Keep a distance of 100mm (3.94 inches) or more between them.  
Failure to do so may result in malfunction due to noise.
- When a module is powered ON/OFF, voltage or current may instantaneously be output from the output terminal of this module.  
In such case, wait until the analog output becomes stable. Then, start controlling the external device.

## [Installation Precautions]

### CAUTION

- Use the programmable controller in an environment that meets the general specifications in this manual. Failure to do so may result in electric shock, fire, malfunction, or damage to or deterioration of the product.
- For protection of the switches, do not remove the cushioning material before installation.
- Securely fix the module with a DIN rail or mounting screws.  
Tighten the screws within the specified torque range.  
Undertightening can cause drop of the screw, short circuit or malfunction.  
Overtightening can damage the screw and/or module, resulting in drop, short circuit, or malfunction.
- Do not directly touch any conductive part of the module.  
Doing so can cause malfunction or failure of the module.

## [Wiring Precautions]

### CAUTION

- Shut off the external power supply for the system in all phases before wiring.  
Failure to do so may result in damage to the product.
- Ground the FG terminals to the protective ground conductor dedicated to the programmable controller. Failure to do so may result in malfunction.
- Tighten any unused terminal screws within the specified torque range (0.42 to 0.50N•m).  
Failure to do so may cause a short circuit due to contact with a solderless terminal.
- Use applicable solderless terminals and tighten them within the specified torque range.  
If any spade solderless terminal is used, it may be disconnected when the terminal screw comes loose, resulting in failure.
- Check the rated voltage and terminal layout before wiring to the module, and connect the cables correctly.  
Connecting a power supply with a different voltage rating or incorrect wiring may cause a fire or failure.

## [Wiring Precautions]

### CAUTION

- Tighten the terminal screw within the specified torque range. Undertightening can cause short circuit or malfunction. Overtightening can damage the screw and/or module, resulting in drop, short circuit, or malfunction.
- Prevent foreign matter such as dust or wire chips from entering the module. Such foreign matter can cause a fire, failure, or malfunction.
- Place the cables in a duct or clamp them. If not, dangling cable may swing or inadvertently be pulled, resulting in damage to the module or cables or malfunction due to poor contact.
- Do not install the control lines or communication cables together with the main circuit lines or power cables. Failure to do so may result in malfunction due to noise.
- When disconnecting the cable from the module, do not pull the cable by the cable part. Loosen the screws of connector before disconnecting the cable. Failure to do so may result in damage to the module or cable or malfunction due to poor contact.

## [Startup and Maintenance Precautions]

### CAUTION

- Do not touch any terminal while power is on. Doing so may cause malfunction.
- Shut off the external power supply for the system in all phases before cleaning the module or retightening the terminal screws. Failure to do so may cause the module to fail or malfunction. Undertightening the terminal screws can cause short circuit or malfunction. Overtightening can damage the screw and/or module, resulting in drop, short circuit, or malfunction.
- Do not disassemble or modify the modules. Doing so may cause failure, malfunction, injury, or a fire.
- Do not drop or apply strong shock to the module. Doing so may damage the module.
- Shut off the external power supply for the system in all phases before mounting or removing the module to or from the panel. Failure to do so may cause the module to fail or malfunction.
- After the first use of the product, do not mount/remove the terminal block to/from the module more than 50 times (IEC 61131-2 compliant).
- Before handling the module, touch a grounded metal object to discharge the static electricity from the human body. Failure to do so may cause the module to fail or malfunction.

## [Disposal Precautions]

### CAUTION

- When disposing of this product, treat it as industrial waste.

## ● CONDITIONS OF USE FOR THE PRODUCT ●

- (1) Mitsubishi programmable controller ("the PRODUCT") shall be used in conditions;
- i) where any problem, fault or failure occurring in the PRODUCT, if any, shall not lead to any major or serious accident; and
  - ii) where the backup and fail-safe function are systematically or automatically provided outside of the PRODUCT for the case of any problem, fault or failure occurring in the PRODUCT.

- (2) The PRODUCT has been designed and manufactured for the purpose of being used in general industries.

MITSUBISHI SHALL HAVE NO RESPONSIBILITY OR LIABILITY (INCLUDING, BUT NOT LIMITED TO ANY AND ALL RESPONSIBILITY OR LIABILITY BASED ON CONTRACT, WARRANTY, TORT, PRODUCT LIABILITY) FOR ANY INJURY OR DEATH TO PERSONS OR LOSS OR DAMAGE TO PROPERTY CAUSED BY the PRODUCT THAT ARE OPERATED OR USED IN APPLICATION NOT INTENDED OR EXCLUDED BY INSTRUCTIONS, PRECAUTIONS, OR WARNING CONTAINED IN MITSUBISHI'S USER, INSTRUCTION AND/OR SAFETY MANUALS, TECHNICAL BULLETINS AND GUIDELINES FOR the PRODUCT.

("Prohibited Application")

Prohibited Applications include, but not limited to, the use of the PRODUCT in;

- Nuclear Power Plants and any other power plants operated by Power companies, and/or any other cases in which the public could be affected if any problem or fault occurs in the PRODUCT.
- Railway companies or Public service purposes, and/or any other cases in which establishment of a special quality assurance system is required by the Purchaser or End User.
- Aircraft or Aerospace, Medical applications, Train equipment, transport equipment such as Elevator and Escalator, Incineration and Fuel devices, Vehicles, Manned transportation, Equipment for Recreation and Amusement, and Safety devices, handling of Nuclear or Hazardous Materials or Chemicals, Mining and Drilling, and/or other applications where there is a significant risk of injury to the public or property.

Notwithstanding the above, restrictions Mitsubishi may in its sole discretion, authorize use of the PRODUCT in one or more of the Prohibited Applications, provided that the usage of the PRODUCT is limited only for the specific applications agreed to by Mitsubishi and provided further that no special quality assurance or fail-safe, redundant or other safety features which exceed the general specifications of the PRODUCTS are required. For details, please contact the Mitsubishi representative in your region.

## REVISIONS

\* The manual number is noted at the lower right of the top cover.

Print Date	*Manual Number	Revision
Sep., 2000	IB(NA)-0800139-A	First printing
Mar., 2005	IB(NA)-0800139-B	<p>Addition</p> <p>Section 2.3</p> <p>Correction</p> <p>SAFETY PRECAUTIONS, Conformation to the EMC Directive and Low Voltage Instruction, Chapter 1, Section 2.1, 2.2, 5.2, 6.1, Chapter 7</p>
Mar., 2006	IB(NA)-0800139-C	<p>Correction</p> <p>Revisions, Conformation to the EMC Directive and Low Voltage Instruction, Section 2.3</p>
Sep., 2006	IB(NA)-0800139-D	<p>Correction</p> <p>SAFETY PRECAUTIONS, Chapter 3, Chapter 7</p>
Oct., 2008	IB(NA)-0800139-E	<p>Correction</p> <p>SAFETY PRECAUTIONS, Compliance with the EMC and Low Voltage Directives, Section 2.1, 2.2, 4.1, 6.2</p> <p>Delection</p> <p>Section 5.1</p>
Dec., 2010	IB(NA)-0800139-F	<p>Addition</p> <p>CONDITIONS OF USE FOR THE PRODUCT</p> <p>Correction</p> <p>SAFETY PRECAUTIONS, About Manual, Section 2.1, 2.2, 4.1, 5.1, 6.2</p>
Dec., 2011	IB(NA)-0800139-G	<p>Addition</p> <p>SAFETY PRECAUTIONS(Chinese)</p> <p>Correction</p> <p>Section 2.1</p>

This manual confers no industrial property rights or any rights of any other kind, nor does it confer any patent licenses. Mitsubishi electric Corporation cannot be held responsible for any problems involving industrial property rights which may occur as a result of using the contents noted in this manual.

© 2000 MITSUBISHI ELECTRIC CORPORATION

# CONTENTS

1. OVERVIEW .....	1
2. SPECIFICATION .....	1
2.1 General specifications .....	1
2.2 Performance specifications .....	2
2.3 Checking hardware versions .....	3
3. NAME OF EACH PART .....	4
4. LOADING AND INSTALLATION .....	6
4.1 Precautions when handling .....	6
4.2 Installation environment .....	6
5. DATA LINK CABLE WIRING .....	7
5.1 Connection of the CC-Link dedicated cables .....	7
6. WIRING .....	7
6.1 Wiring precautions .....	7
6.2 Module connection example .....	8
7. EXTERNAL DIMENSIONS .....	9

## ABOUT MANUAL

The following manuals are also related to this product.  
In necessary, order them by quoting the details in the tables below.

### Detailed Manual

Manual name	Manual No. (Model code)
Digital-Analog Converter Module Type AJ65SBT-62DA User's Manual	SH-080107 (13JR19)

### Related Manual

Manual name	Manual No. (Model code)
CC-Link System Master/Local Module Type AJ61BT11/A1SJ61BT11 User's Manual	IB-66721 (13J872)
CC-Link System Master/Local Module Type AJ61QBT11/A1SJ61QBT11 User's Manual	IB-66722 (13J873)
CC-Link System Master/Local Module User's Manual	SH-080394E (13JR64)
MELSEC-L CC-Link System Master/Local Module User's Manual	SH-080895ENG (13JR64)

## COMPLIANCE WITH EMC AND LOW VOLTAGE DIRECTIVES

### (1) Method of ensuring compliance

To ensure that Mitsubishi programmable controllers maintain EMC and Low Voltage Directives when incorporated into other machinery or equipment, certain measures may be necessary. Please refer to one of the following manuals.

- User's manual for the CPU module or head module used
- Safety Guidelines

(This manual is included with the CPU module, base unit, or head module)

The CE mark on the side of the programmable controller indicates compliance with EMC and Low Voltage Directives.

### (2) Additional measures

To ensure that this product maintains EMC and Low Voltage Directives, please refer to one of the manuals listed under (1).



# 1. OVERVIEW

This user's manual explains the specifications, names and setting of parts, wiring and others of Type AJ65SBT-62DA digital-analog converter module (hereafter abbreviated to the "AJ65SBT-62DA") which is used as a remote device station of a CC-Link system.

# 2. SPECIFICATION

## 2.1 General specifications

The general specifications of the AJ65SBT-62DA are shown below.

Item	Specification					
Operating ambient temperature	0 to 55°C					
Storage ambient temperature	-20 to 75°C					
Operating ambient humidity	10 to 90%RH, non-condensing					
Storage ambient humidity						
Vibration resistance	Compliant with JIS B 3502 and IEC 61131-2	Under intermittent vibration	Frequency	Constant acceleration	Half amplitude	Sweep count
			5 to 8.4Hz	—	3.5mm	10 times each in X, Y, Z directions
		Under continuous vibration	8.4 to 150Hz	9.8m/s <sup>2</sup>	—	
			5 to 8.4Hz	—	1.75mm	—
Shock resistance	Compliant with JIS B 3502 and IEC 61131-2 (147m/s <sup>2</sup> , 3 times each in 3 directions X, Y, Z)					
Operating atmosphere	No corrosive gases					
Operating altitude <sup>*3</sup>	0 to 2000m					
Installation location	Inside a control panel					
Overvoltage category <sup>*1</sup>	II or less					
Pollution degree <sup>*2</sup>	2 or less					

\*1 This indicates the section of the power supply to which the equipment is assumed to be connected between the public electrical power distribution network and the machinery within premises.

Category II applies to equipment for which electrical power is supplied from fixed facilities. The surge voltage withstand level for up to the rated voltage of 300V is 2500V.

\*2 This index indicates the degree to which conductive material is generated in terms of the environment in which the equipment is used.

Pollution level 2 is when only non-conductive pollution occurs. A temporary conductivity caused by condensing must be expected occasionally.

\*3 Do not use or store the programmable controller under pressure higher than the atmospheric pressure of altitude 0m.

Doing so may cause malfunction. When using the programmable controller under pressure, please consult your local Mitsubishi Electric representative.

## 2.2 Performance specifications

The performance specifications of the AJ65SBT-62DA are shown below.

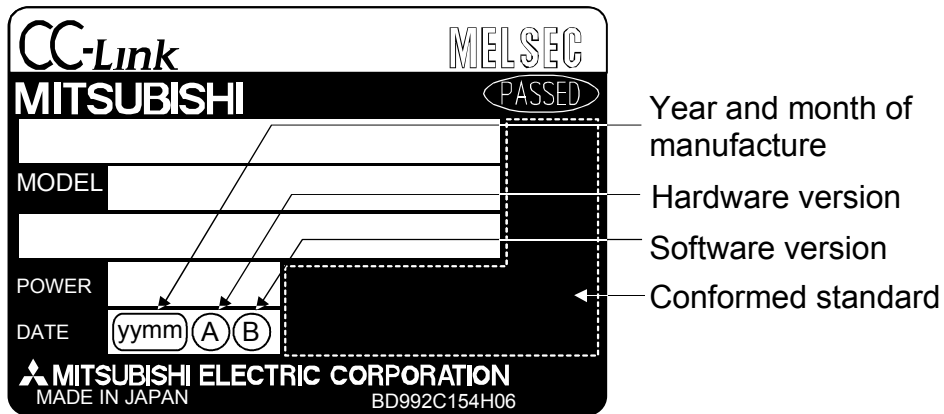
Item		AJ65SBT-62DA				
Digital input	Voltage	16-bit signed binary (-4096 to 4095)				
	Current	16-bit signed binary (0 to 4095)				
Analog output	Voltage	-10 to 10V DC (external load resistance: 2kΩ to 1MΩ)				
	Current	0 to 20mA DC (external load resistance: 0 to 600Ω)				
I/O characteristics, maximum resolution, accuracy (accuracy relative to maximum value of analog output value)	Voltage	Digital input value	Analog output range	Accuracy		Max. resolution
				Ambient temperature	Ambient temperature	
		-4000 to 4000	-10 to 10V	±0.4% (±40mV)	±0.2% (±20mV)	2.5mV
			User range setting 1 (-10 to 10V)			
		0 to 4000	0 to 5V	±0.4% (±20mV)	±0.2% (±10mV)	1.25mV
			1 to 5V			1.0mV
	0 to 4000	User range setting 2 (0 to 5V)	±0.4% (±80μA)	±0.2% (±40μA)	5μA	
		User range setting 3 (0 to 20mA)			4μA	
	Factory setting is -10 to 10V.					
	Maximum conversion speed		1ms/1 channel			
Output short-circuit protection		Yes				
Absolute maximum output		Voltage: ±12V, Current: 21mA				
Number of analog output points		2 channels/1 module				
CC-Link station type		Remote device station				
Number of occupied stations		1 station (RX/RV: 32 points each, RWr/RWw: 4 points each)				
Communication cable		CC-Link dedicated cable				
Dielectric withstand voltage		500V AC for 1 minute across all power supply and communication system terminals and all analog output terminals				
Isolation system		Across communication system terminals and all analog output terminals: Photocoupler isolated Across power supply system terminals and all analog output terminals: Photocoupler isolated Across channels: Non-isolated				
Noise immunity		By noise simulator of 500Vp-p noise voltage, 1μs noise width and 25 to 60Hz noise frequency				
External connection	Communication area, module power supply	7-point 2-piece terminal block [transmission circuit, module power supply, FG] M3 × 5.2 Tightening torque: 0.59 to 0.88N•m Applicable solderless terminals: 2 max.				
	I/O area	Direct-coupled, 18-point terminal block [analog output area] M3 × 5.2 Tightening torque: 0.59 to 0.88N•m Applicable solderless terminals: 2 max.				
Applicable wire size		0.3 to 0.75mm <sup>2</sup>				
Applicable solderless terminals		<ul style="list-style-type: none"> <li>• RAV1.25-3 (conforming to JIS C 2805) [Applicable wire size :0.3 to 1.25mm<sup>2</sup>]</li> <li>• V2-MS3, RAP2-3SL, TGV2-3N [Applicable wire size: 1.25 to 2.0mm<sup>2</sup>]</li> </ul>				

Item	AJ65SBT-62DA
Module mounting screw	M4 screw × 0.7mm × 16mm or more (tightening torque range: 0.78 to 1.08N·m) Can also be mounted to DIN rail
Applicable DIN rail	TH35-7.5Fe, TH35-7.5Al (conforming to IEC 60715)
External power supply	24V DC (20.4V DC to 26.4V DC)
	Inrush current :8.2A, within 2.1ms Current consumption: 0.16A (at 24VDC)
Weight	0.20 kg

Point	D/A conversion values are fluctuated by self-heating within approx. 30 minutes after power is turned ON.
-------	--

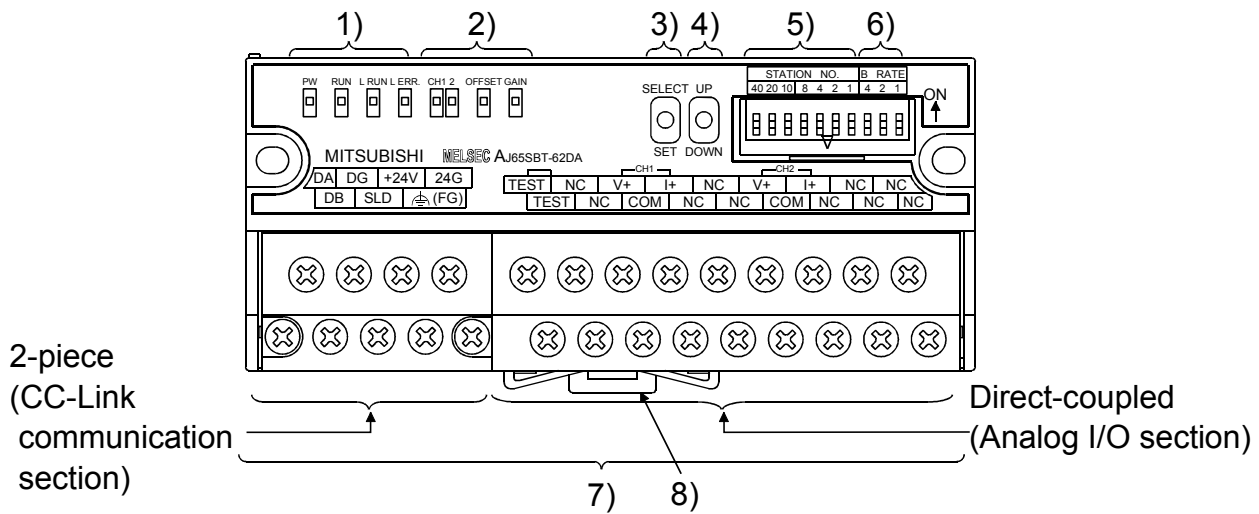
### 2.3 Checking hardware versions

The hardware versions of the AJ65SBT-62DA can be checked on the DATE section on the rating plate, which is situated on the side of the module.



### 3. NAME OF EACH PART

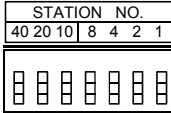
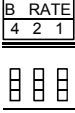
The name of each part in the AJ65SBT-62DA is shown.



[Terminal numbers and signal names]

1	3	5	7	8	10	12	14	16	18	20	22	24
DA	DG	+24V	24G	TEST	NC	V+	I+	NC	V+	I+	NC	NC
2	4	6		9	11	13	15	17	19	21	23	25
DB	SLD	(FG)		TEST	NC	COM	NC	NC	COM	NC	NC	NC

Number	Name and appearance	Description	
1)	Operation status display LED	PW LED ON : Power supply on OFF : Power supply off	
		RUN LED	Normal mode On : Normal operation Flashing : 0.1s intervals indicate an output range setting error. 0.5s intervals indicate a digital value setting error. Off : 24VDC power supply shutoff or watchdog timer error occurred.
			Test mode On : Indicate that the SELECT/SET switch is in the SET position. Flashing : 0.1s intervals indicate that the output range setting is not any of "user range settings 1 to 3". 0.5s intervals indicates that you attempted to make offset/gain setting outside the setting range. Off : Indicates that the SELECT/SET switch is in the SELECT or center position.
		L RUN LED On : Normal communication Off : Communication cutoff (time expiration error)	
		L ERR. LED On : Indicates that transmission speed setting or station number setting is outside the range. Flicker at fixed intervals : Indicates that transmission speed setting or station number setting was changed from that at power-on. Flicker at unfixed intervals : Indicates that you forgot fitting the termination resistor or the module or CC-Link dedicated cable is affected by noise. Off : Indicates normal communications.	

Number	Name and appearance	Description																																																																																																															
2)	Offset/gain adjusting LEDs	CH <input type="checkbox"/> OFFSET GAIN	<table border="1"> <tr> <td>Normal mode</td> <td>Normally OFF.</td> </tr> <tr> <td>Test mode</td> <td>The LEDs lit change every time the SELECT/SET switch is moved to SELECT.</td> </tr> </table>	Normal mode	Normally OFF.	Test mode	The LEDs lit change every time the SELECT/SET switch is moved to SELECT.																																																																																																										
Normal mode	Normally OFF.																																																																																																																
Test mode	The LEDs lit change every time the SELECT/SET switch is moved to SELECT.																																																																																																																
3)	SELECT/SET switch	Used to make offset/gain setting in the test mode.																																																																																																															
4)	UP/DOWN switch	Used to adjust the offset value and gain value of the channel specified by the SELECT/SET switch.																																																																																																															
5)	Station number setting switches 	<p>Use the switches in STATION NO. "10", "20" and "40" to set the tens of the station number.            Use the switches in STATION NO. "1", "2", "4" and "8" to set the units of the station number.            The switches are all factory-set to OFF.            Always set the station number within the range 1 to 64.            You cannot set the same station number to two or more stations.            Setting any other number than 1 to 64 will result in an error, flickering the "L ERR." LED.</p> <table border="1"> <thead> <tr> <th rowspan="2">Station number</th> <th colspan="3">Tens</th> <th colspan="4">Units</th> </tr> <tr> <th>40</th> <th>20</th> <th>10</th> <th>8</th> <th>4</th> <th>2</th> <th>1</th> </tr> </thead> <tbody> <tr> <td>1</td> <td>OFF</td> <td>OFF</td> <td>OFF</td> <td>OFF</td> <td>OFF</td> <td>OFF</td> <td>ON</td> </tr> <tr> <td>2</td> <td>OFF</td> <td>OFF</td> <td>OFF</td> <td>OFF</td> <td>OFF</td> <td>ON</td> <td>OFF</td> </tr> <tr> <td>3</td> <td>OFF</td> <td>OFF</td> <td>OFF</td> <td>OFF</td> <td>OFF</td> <td>ON</td> <td>ON</td> </tr> <tr> <td>4</td> <td>OFF</td> <td>OFF</td> <td>OFF</td> <td>OFF</td> <td>ON</td> <td>OFF</td> <td>OFF</td> </tr> <tr> <td>⋮</td> <td>⋮</td> <td>⋮</td> <td>⋮</td> <td>⋮</td> <td>⋮</td> <td>⋮</td> <td>⋮</td> </tr> <tr> <td>10</td> <td>OFF</td> <td>OFF</td> <td>ON</td> <td>OFF</td> <td>OFF</td> <td>OFF</td> <td>OFF</td> </tr> <tr> <td>11</td> <td>OFF</td> <td>OFF</td> <td>ON</td> <td>OFF</td> <td>OFF</td> <td>OFF</td> <td>ON</td> </tr> <tr> <td>⋮</td> <td>⋮</td> <td>⋮</td> <td>⋮</td> <td>⋮</td> <td>⋮</td> <td>⋮</td> <td>⋮</td> </tr> <tr> <td>64</td> <td>ON</td> <td>ON</td> <td>OFF</td> <td>OFF</td> <td>ON</td> <td>OFF</td> <td>OFF</td> </tr> </tbody> </table> <p>(Example) To set the station number to "32", set the switches as indicated below.</p> <table border="1"> <thead> <tr> <th rowspan="2">Station number</th> <th colspan="3">Tens</th> <th colspan="4">Units</th> </tr> <tr> <th>40</th> <th>20</th> <th>10</th> <th>8</th> <th>4</th> <th>2</th> <th>1</th> </tr> </thead> <tbody> <tr> <td>32</td> <td>OFF</td> <td>ON</td> <td>ON</td> <td>OFF</td> <td>OFF</td> <td>ON</td> <td>OFF</td> </tr> </tbody> </table>		Station number	Tens			Units				40	20	10	8	4	2	1	1	OFF	OFF	OFF	OFF	OFF	OFF	ON	2	OFF	OFF	OFF	OFF	OFF	ON	OFF	3	OFF	OFF	OFF	OFF	OFF	ON	ON	4	OFF	OFF	OFF	OFF	ON	OFF	OFF	⋮	⋮	⋮	⋮	⋮	⋮	⋮	⋮	10	OFF	OFF	ON	OFF	OFF	OFF	OFF	11	OFF	OFF	ON	OFF	OFF	OFF	ON	⋮	⋮	⋮	⋮	⋮	⋮	⋮	⋮	64	ON	ON	OFF	OFF	ON	OFF	OFF	Station number	Tens			Units				40	20	10	8	4	2	1	32	OFF	ON	ON	OFF	OFF	ON	OFF
Station number	Tens				Units																																																																																																												
	40	20	10	8	4	2	1																																																																																																										
1	OFF	OFF	OFF	OFF	OFF	OFF	ON																																																																																																										
2	OFF	OFF	OFF	OFF	OFF	ON	OFF																																																																																																										
3	OFF	OFF	OFF	OFF	OFF	ON	ON																																																																																																										
4	OFF	OFF	OFF	OFF	ON	OFF	OFF																																																																																																										
⋮	⋮	⋮	⋮	⋮	⋮	⋮	⋮																																																																																																										
10	OFF	OFF	ON	OFF	OFF	OFF	OFF																																																																																																										
11	OFF	OFF	ON	OFF	OFF	OFF	ON																																																																																																										
⋮	⋮	⋮	⋮	⋮	⋮	⋮	⋮																																																																																																										
64	ON	ON	OFF	OFF	ON	OFF	OFF																																																																																																										
Station number	Tens			Units																																																																																																													
	40	20	10	8	4	2	1																																																																																																										
32	OFF	ON	ON	OFF	OFF	ON	OFF																																																																																																										
6)	Transmission speed setting switches 	<table border="1"> <thead> <tr> <th rowspan="2">Set value</th> <th colspan="3">Setting switches</th> <th rowspan="2">Transmission speed</th> </tr> <tr> <th>4</th> <th>2</th> <th>1</th> </tr> </thead> <tbody> <tr> <td>0</td> <td>OFF</td> <td>OFF</td> <td>OFF</td> <td>156kbps</td> </tr> <tr> <td>1</td> <td>OFF</td> <td>OFF</td> <td>ON</td> <td>625kbps</td> </tr> <tr> <td>2</td> <td>OFF</td> <td>ON</td> <td>OFF</td> <td>2.5Mbps</td> </tr> <tr> <td>3</td> <td>OFF</td> <td>ON</td> <td>ON</td> <td>5.0Mbps</td> </tr> <tr> <td>4</td> <td>ON</td> <td>OFF</td> <td>OFF</td> <td>10Mbps</td> </tr> </tbody> </table> <p>Always set the transmission speed within the above range.            The switches are all factory-set to OFF.            Making any other setting than the above will result in an error flickering, the "L ERR." LED.</p>		Set value	Setting switches			Transmission speed	4	2	1	0	OFF	OFF	OFF	156kbps	1	OFF	OFF	ON	625kbps	2	OFF	ON	OFF	2.5Mbps	3	OFF	ON	ON	5.0Mbps	4	ON	OFF	OFF	10Mbps																																																																													
Set value	Setting switches				Transmission speed																																																																																																												
	4	2	1																																																																																																														
0	OFF	OFF	OFF	156kbps																																																																																																													
1	OFF	OFF	ON	625kbps																																																																																																													
2	OFF	ON	OFF	2.5Mbps																																																																																																													
3	OFF	ON	ON	5.0Mbps																																																																																																													
4	ON	OFF	OFF	10Mbps																																																																																																													
7)	Terminal block	Used to connect the module power supply, transmission and I/O signals.																																																																																																															
8)	DIN rail hook	Used to mount the module to the DIN rail.																																																																																																															

## 4. LOADING AND INSTALLATION

### 4.1 Precautions when handling

The following is an explanation of handling precautions of the module.

- (1) Do not drop or apply any strong impact to the module.
- (2) Tighten the screws such as module installation screws with the following torque:

Screw location	Tightening torque range
Module installation screw (M4 screw)	0.78 to 1.08N•m
Terminal block terminal screw (M3 screw)	0.59 to 0.88N•m
Terminal block installation screw (M3 .5 screw)	0.68 to 0.98N•m

### 4.2 Installation environment

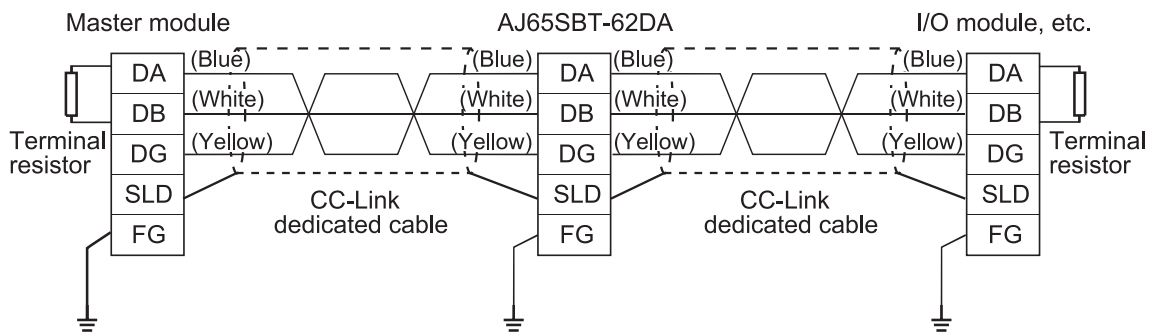
Never install the A series programmable controller in the following environments:

- (1) Locations where the ambient temperature is outside the range of 0 to 55°C.
- (2) Locations where the ambient humidity is outside the range of 10 to 99%RH.
- (3) Locations where dew condensation takes place due to sudden temperature changes.
- (4) Locations where there are corrosive and/or combustible gasses.
- (5) Locations where there is a high level of conductive power (such as dust and iron filings, oil mist, salt, and organic solvents).
- (6) Locations exposed to the direct rays of the sun.
- (7) Locations where strong power and magnetic fields are generated.
- (8) Locations where vibration and shock are directly transmitted to the main module.

## 5. DATA LINK CABLE WIRING

### 5.1 Connection of the CC-Link dedicated cables

Connect the CC-Link dedicated cable between the AJ65SBT-62DA and master module as shown below.



## 6. WIRING

### 6.1 Wiring precautions

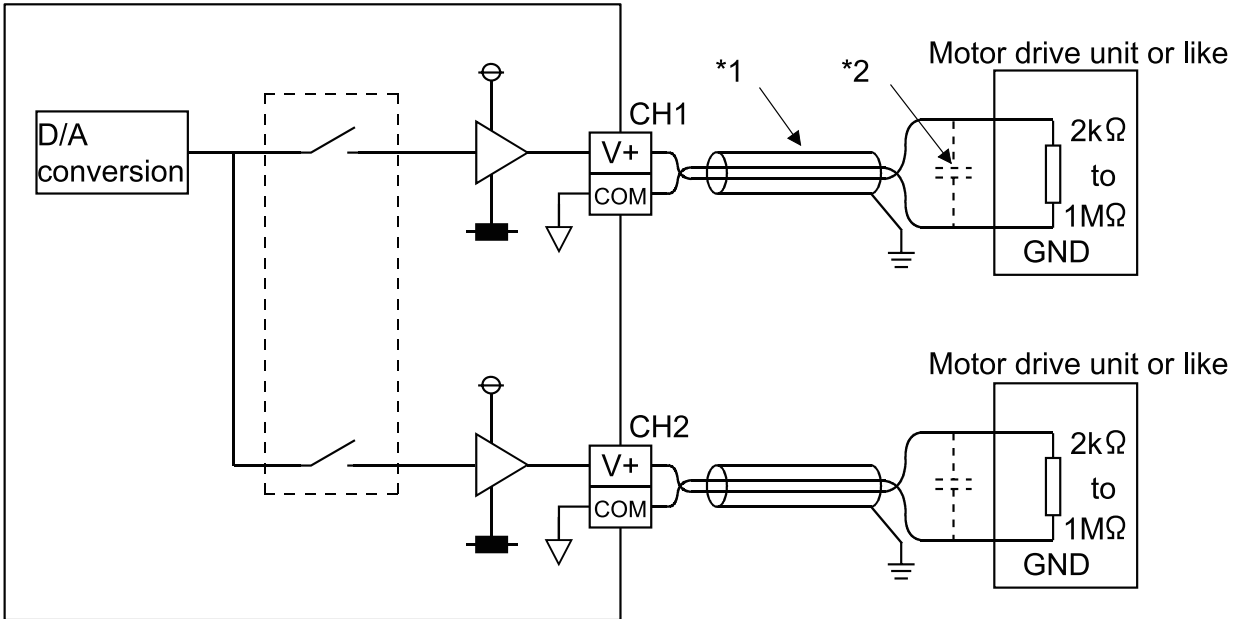
To obtain maximum performance from the functions of AJ65SBT-62DA and improve the system reliability, an external wiring with high durability against noise is required.

The precautions when performing external wiring are as follows:

- (1) Use separate cables for the AC and AJ65SBT-62DA external output signals, in order not to be affected by the AC side surge or conductivity.
- (2) Do not bundle or place with load carrying wires other than the main circuit line, high voltage line or programmable controller. Noises, surges, or conductivity may affect the system.
- (3) Place a one-point grounding on the programmable controller side for the shielded line or shielded cable.

## 6.2 Module connection example

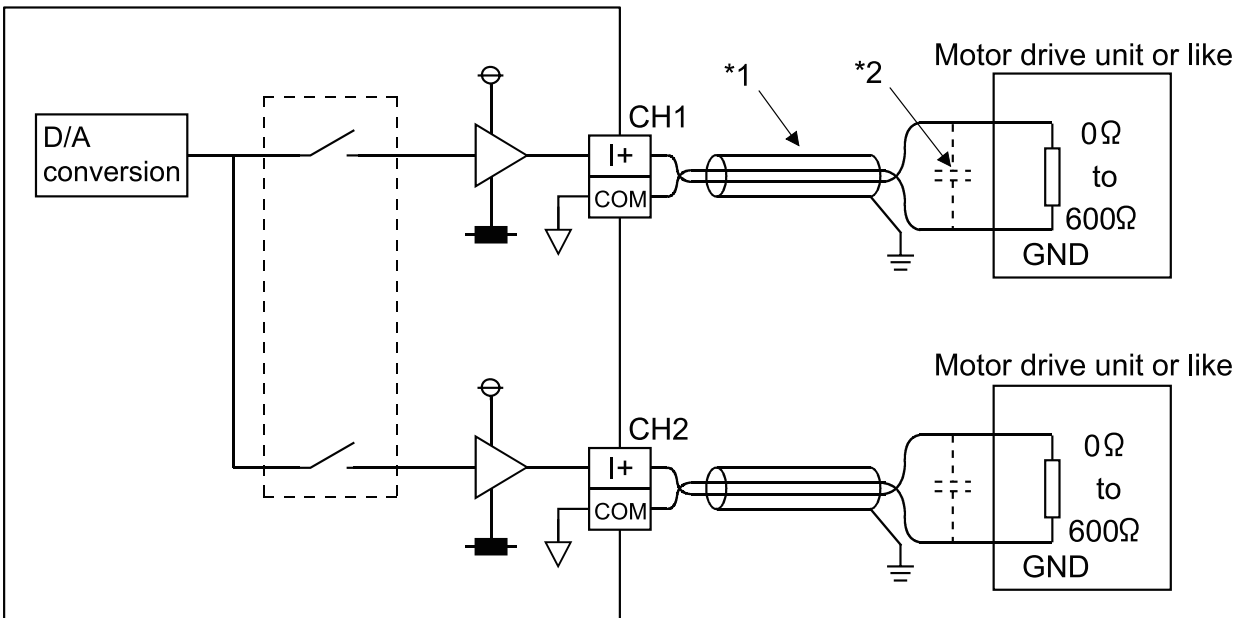
### (1) For voltage output



\*1 Use a two-core twist shielded line for the wiring.

\*2 If noise or ripples occur in the external wiring, connect a 0.1 to 0.47μF capacitor (25V or higher voltage-resistant product) to the input terminals of the external device.

### (2) For current output



\*1 Use a two-core twist shielded line for the wiring.

\*2 If noise or ripples occur in the external wiring, connect a 0.1 to 0.47μF capacitor (25V or higher voltage-resistant product) to the input terminals of the external device.



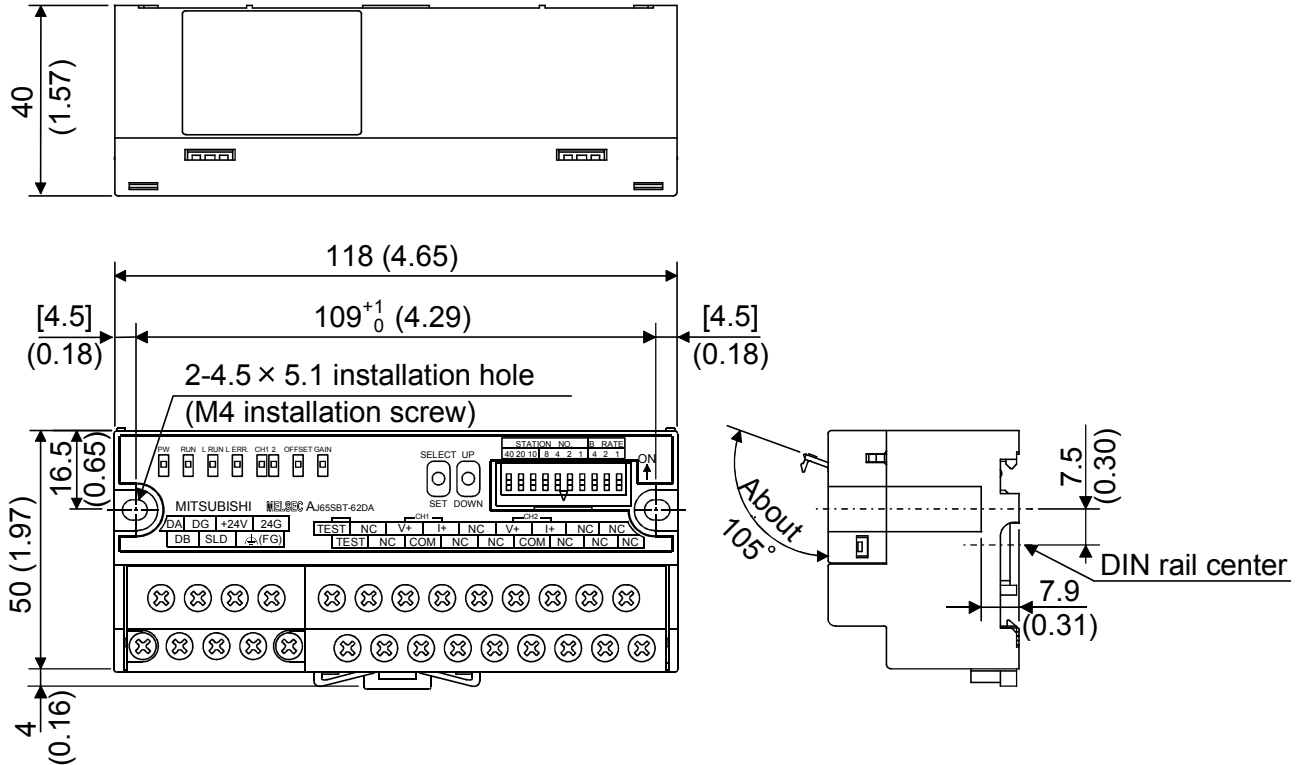
## 7. EXTERNAL DIMENSIONS

The external dimensions of the AJ65SBT-62DA is shown below.

The appearance of the AJ65SBT-62DA varies depending on the hardware version.

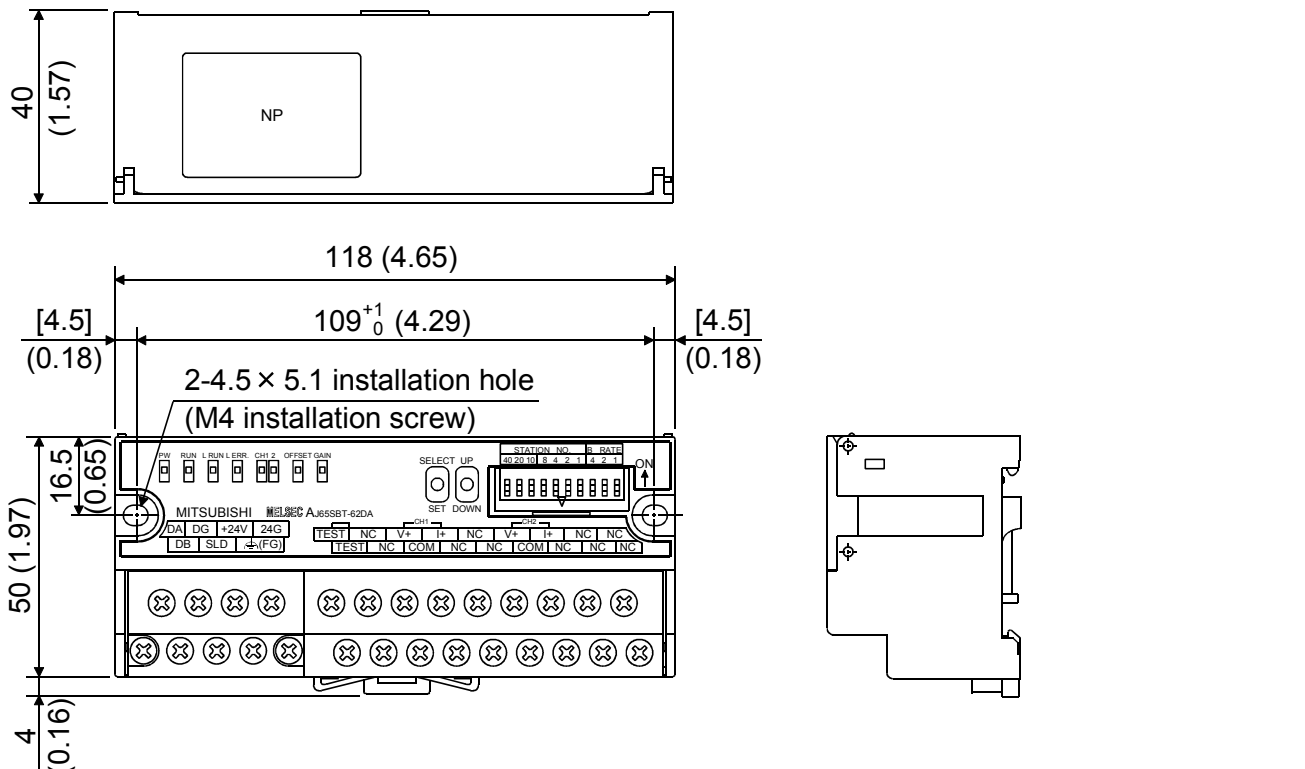
For checking method of the hardware version, refer to Section 2.3.

(1) Hardware version H or later



Unit:mm(inch)

(2) Hardware version G or earlier



Unit:mm(inch)

# MEMO

---

---

---

---

---

---

---

---

---

---

---

---

---

---

---

---

---

---

---

---

---

---

---

---

---

---

---

---

---

---







## WARRANTY

Mitsubishi will not be held liable for damage caused by factors found not to be the cause of Mitsubishi; machine damage or lost profits caused by faults in the Mitsubishi products; damage, secondary damage, accident compensation caused by special factors unpredictable by Mitsubishi; damages to products other than Mitsubishi products; and to other duties.

Country/Region	Sales office/Tel	Country/Region	Sales office/Tel
U.S.A	Mitsubishi Electric Automation Inc. 500 Corporate Woods Parkway Vernon Hills, IL 60061, U.S.A. Tel : +1-847-478-2100	China	Mitsubishi Electric Automation (China) Ltd. 4/F Zhi Fu Plazz, No.80 Xin Chang Road, Shanghai 200003, China Tel : +86-21-6120-0808
Brazil	MELCO-TEC Rep. Com.e Assessoria Tecnica Ltda. Rua Correia Dias, 184, Edificio Paraiso Trade Center-8 andar Paraiso, Sao Paulo, SP Brazil Tel : +55-11-5908-8331	Taiwan	Setsuyo Enterprise Co., Ltd. 6F No.105 Wu-Kung 3rd.Rd, Wu-Ku Hsiang, Taipei Hsine, Taiwan Tel : +886-2-2299-2499
Germany	Mitsubishi Electric Europe B.V. German Branch Gothaer Strasse 8 D-40880 Ratingen, GERMANY Tel : +49-2102-486-0	Korea	Mitsubishi Electric Automation Korea Co., Ltd. 1480-6, Gayang-dong, Gangseo-ku Seoul 157-200, Korea Tel : +82-2-3660-9552
U.K	Mitsubishi Electric Europe B.V. UK Branch Travellers Lane, Hatfield, Hertfordshire., AL10 8XB, U.K. Tel : +44-1707-276100	Singapore	Mitsubishi Electric Asia Pte, Ltd. 307 Alexandra Road #05-01/02, Mitsubishi Electric Building, Singapore 159943 Tel : +65-6470-2480
Italy	Mitsubishi Electric Europe B.V. Italian Branch Centro Dir. Colleoni, Pal. Perseo-Ingr.2 Via Paracelso 12, I-20041 Agrate Brianza., Milano, Italy Tel : +39-039-60531	Thailand	Mitsubishi Electric Automation (Thailand) Co., Ltd. Bang-Chan Industrial Estate No.111 Moo 4, Serithai Rd, T.Kannayao, A.Kannayao, Bangkok 10230 Thailand Tel : +66-2-517-1326
Spain	Mitsubishi Electric Europe B.V. Spanish Branch Carretera de Rubi 76-80, E-08190 Sant Cugat del Valles, Barcelona, Spain Tel : +34-93-565-3131	Indonesia	P.T. Autoteknindo Sumber Makmur Muara Karang Selatan, Block A/Utara No.1 Kav. No.11 Kawasan Industri Pergudangan Jakarta - Utara 14440, P.O.Box 5045 Jakarta, 11050 Indonesia Tel : +62-21-6630833
France	Mitsubishi Electric Europe B.V. French Branch 25, Boulevard des Bouvets, F-92741 Nanterre Cedex, France Tel : +33-1-5568-5568	India	Messung Systems Pvt, Ltd. Electronic Sadan NO:III Unit No15, M.I.D.C Bhosari, Pune-411026, India Tel : +91-20-2712-3130
South Africa	Circuit Breaker Industries Ltd. Private Bag 2016, ZA-1600 Isando, South Africa Tel : +27-11-928-2000	Australia	Mitsubishi Electric Australia Pty. Ltd. 348 Victoria Road, Rydalmere, N.S.W 2116, Australia Tel : +61-2-9684-7777

## MITSUBISHI ELECTRIC CORPORATION

HEAD OFFICE : TOKYO BUILDING, 2-7-3 MARUNOUCHI, CHIYODA-KU, TOKYO 100-8310, JAPAN  
NAGOYA WORKS : 1-14, YADA-MINAMI 5-CHOME, HIGASHI-KU, NAGOYA, JAPAN

When exported from Japan, this manual does not require application to the Ministry of Economy, Trade and Industry for service transaction permission.

Specifications subject to change without notice.