



*eldes*

**EWF1**

WIRELESS SMOKE DETECTOR

# User Manual v1.1

## Compatible with:

- ESIM264 v7.11.30 and up + EWT1 16.14 and up.
- ESIM364 v02.04.01 and up.
- EPIR2 v01.01.02 and up.
- EPIR3 all versions.

## Main Features

- Photoelectric sensor for slow smouldering fires
- TEST button
- Non-radioactive technology for environmental friendly
- High and stable sensitivity
- Quick fix mounting plate for easy installation
- LED operation indicator
- Built-in speaker for audio alarm indication
- Auto-reset when smoke clears

EWF1 is a wireless photoelectric type smoke detector intended to use with ELDES alarm systems. Photoelectric smoke detectors are generally more effective at detecting smouldering fires which smoulder for hours before bursting into flame. An optical method is used for the detection of visible smoke. When the concentration of smoke in the optical chamber exceeds a given threshold, EWF1 sounds the alarm and sends out a signal to the ELDES alarm system using the wireless connection and the system triggers the alarm. By default, when more than one EWF1 device is used, the system will automatically activate the interconnection feature. See **4.1. Interconnection**. ESIM264, EPIR2 and EPIR3 alarm systems support up to 16 EWF1 devices, while ESIM364 - up to 32 EWF1 devices. The maximum wireless connection range is 150m (492.13ft) (in open areas).

## 1. PACKAGE CONTENT

1. EWF1.....qty. 1
2. User manual.....qty. 1
3. Primary 9V Lithium 1200mAh battery.....qty. 1
4. Screws.....qty. 2

## 2. TECHNICAL SPECIFICATIONS

### 2.1. Electrical & Mechanical Characteristics

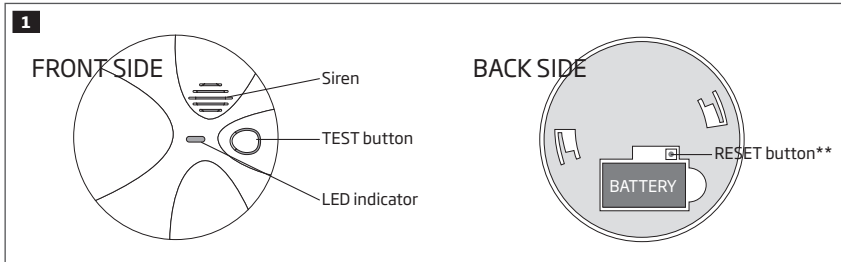
Detection type	Photoelectric chamber
Alarm sound level	85dB at 3m (85dB at 9.84ft)
Battery	Primary 9V Lithium 1200mAh ANSI/NEDA 1604LC
Number of batteries	1
Battery operation time	~18 months*
Wireless band	ISM868/ISM915
Wireless communication range	Up to 30m (98.43ft) in premises; up to 150m (492.13ft) in open areas
Range of operating temperatures	+5... +45°C (41... 113°F)
Humidity	0-90% RH @ 0... +40°C (0-90% RH @ 32... 104°F) (non-condensing)
Sensitivity to smoke	3.0-6.0 % Obs /m
Smoke detector lifetime	10 years
Dimensions	110mm (0.36ft) Ø
Compatible with alarm systems	ELDES Wireless

\* This operation time might vary in different conditions.

**NOTE:** We strongly recommend using EVE CR9V-P or Energizer LA522 battery.

## 2.2. Main Unit & LED Functionality

TEST	Button for testing / button for testing and restoring default parameters (if RESET button not available)
LED	EWF1 status indication
SIREN	Built-in speaker for audio alarm indication
RESET**	Button for restoring default parameters



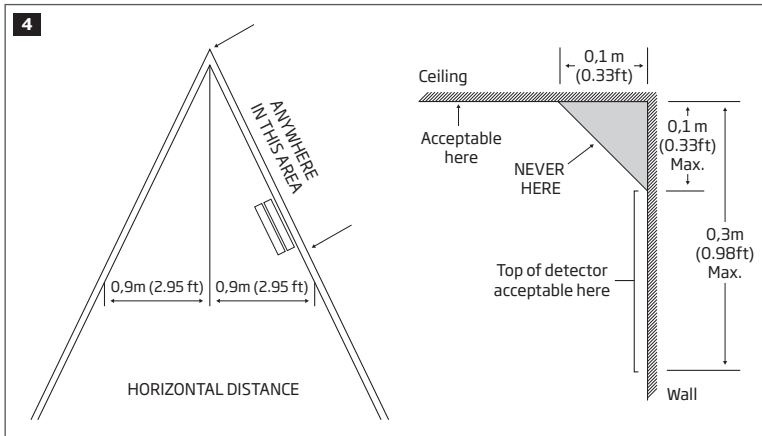
\*\* Unavailable on some EWF1 models

## 3. PLACEMENT

1. Place the detector as close to the center of the ceiling as possible. If this is not practical, mount no closer than 10cm (0.33ft) from a wall or corner. Also, if local codes allow, install the detectors on walls, between 10 and 30cm (0.33 and 0.98ft) from ceiling/wall intersections.
2. Install a minimum of two wireless smoke detectors in every house, no matter how small the house is.
3. Place a detector in each room that is divided by a partial wall (either coming down from the ceiling at least 20cm (0.66ft), or coming up from the floor).

**NOTE:** For best protection we recommend that you install a wireless smoke detector in every room.

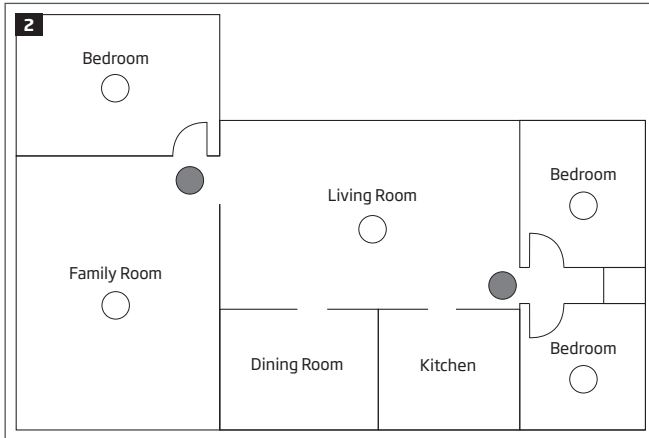
### Recommended EWF1 placement locations



**NOTE:** Measurements shown are to the closest edge of the detector.

### 3.1. Typical Single-Story House

Install a wireless smoke detector on the ceiling or wall inside each bedroom and in the hallway outside each separate sleeping area. If a bedroom area hallway is more than 9m (29.53ft) long, install a wireless smoke detector at each end. If there is a basement: Install a wireless smoke detector on the basement ceiling at the bottom of the stairwell.



#### LEGEND:

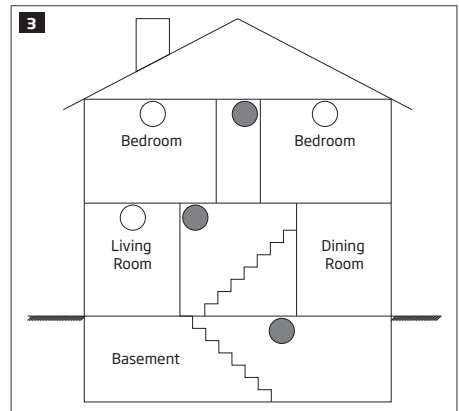
- Minimum required smoke detector locations.
- Recommended additional smoke detector locations

### 3.2. Typical Multi-Story or Split-Level House

Install a wireless smoke detector on the ceiling or wall inside each bedroom and in the hallway outside each separate sleeping area. If a bedroom area hallway is more than 9m (29.53ft) long, install a wireless smoke detector at each end. Please install a wireless smoke detector on the top of a first-to-second floor stairwell.

#### LEGEND:

- Minimum required smoke detector locations.
- Recommended additional smoke detector locations



### 3.3. Incorrect EWF1 Placement

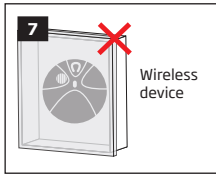
#### DO NOT place EWF1 in the following locations:

- Near appliances or areas where normal combustion regularly occurs (kitchens, near furnaces, hot water heaters). Use specialized wireless smoke detector with unwanted alarm control for this areas.
- In areas with high humidity, like bathrooms or areas near dishwashers or washing machines. Install at least 3m (9.84ft) away from these areas.
- Near air returns or heating and cooling supply vents. Install at least 1m (3.28ft) away from these areas. The air could blow smoke away from the detector, interrupting its alarm.
- In rooms where temperatures may fall below +5°C (41°F) or rise above +45°C (113°F).
- In extremely dusty, dirty, or insect-infested areas where loose particles interfere with wireless smoke detector operation.

**ATTENTION:** Incorrect placement will result in a decrease of operational effectiveness.

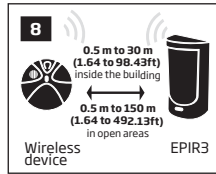
## 4. INSTALLATION

**NOTE:** Before installing the wireless device, we highly recommend to refer to **RADIO SYSTEM INSTALLATION AND SIGNAL PENETRATION** manual located at [www.eldes.lt/download](http://www.eldes.lt/download)



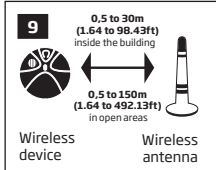
Never install in the following locations:

- inside the metal cabinet
- closer than 20cm (0.66ft) from the metal surface and/or power lines



Recommended:

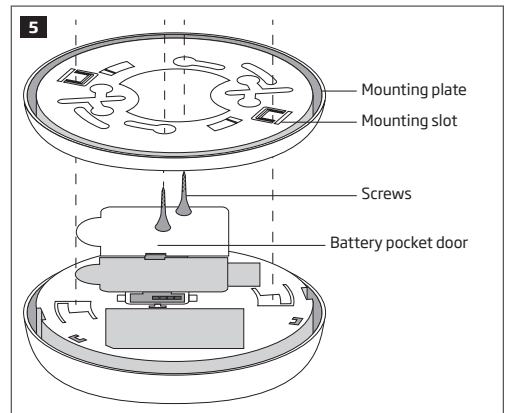
- face the front side of the wireless device towards the front side of EPIR3.
- keep the distance: 0,5 to 30m (1.64 to 98.43ft) inside the building, 0,5 to 150m (1.64 to 492.13ft) in open areas



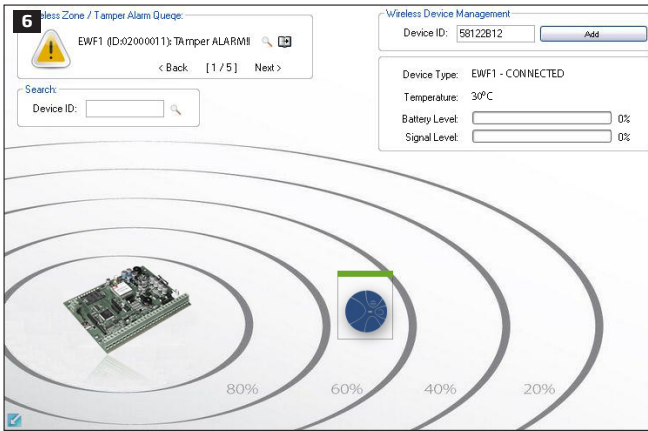
Recommended:

- face the front side of the wireless device towards the antenna.
- keep the distance: 0,5 to 30m (1.64 to 98.43ft) inside the building, 0,5 to 150m (1.64 to 492.13ft) in open areas

1. Detach the mounting plate by turning it counter-clockwise from the back of EWF1 (see Fig. No. 5).
2. Secure the mounting plate to ceiling or wall with mounting screws.(see Fig. No. 5).
3. Lift to open the battery pocket door (see Fig. No. 7)
4. Insert the battery into the battery pocket considering the polarity terminals indicated on the enclosure of EWF1. Ensure the battery is securely connected. Red LED may flash briefly when the battery is being installed.
5. Close the battery pocket door by snapping it into place.
6. Position the smoke detector to the mounting plate by turning it clockwise to lock into place. Note that the device will not lock into the mounting plate without the battery being present in the battery pocket.
7. Push the TEST button to verify if the wireless smoke detector is operational. See **4.1. Testing EWF1**.
8. Bind the device to the alarm system using *ELDES Configuration Tool*/software. Open **Wireless Device Management** section and enter a 8-digit wireless device ID located on the EWF1 enclosure and click the **Add** button (see Fig. No. 6). The device can also be bind by sending a corresponding command via SMS text message. For more details, please refer to the software's HELP section and ELDES alarm system installation manual.
9. Upon the successful binding process, EWF1 device icon becomes visible in **Wireless Device Management** section as well as Battery Level and Signal Level (see Fig. No. 6).
10. EWF1 wireless smoke detector is ready for use.



**NOTE:** If you are unable to bind the wireless device, please restore the parameters of the wireless device to default and try again. See chapter **5.3. Restoring Default Parameters** for more details.



#### 4.1. Interconnection

The interconnection feature automatically links all wireless smoke detectors to each other that are connected to the same alarm system unit. When any EWF1 detects smoke, it sounds the alarm and sends the signal to the alarm system that causes an instant alarm along with the rest of EWF1 wireless smoke detectors. The device that detected smoke will auto-reset when the smoke clears, while the rest of EWF1 detectors will sound according to the set time period (by default - 60 seconds). By default, the interconnection feature is enabled, but can be disabled using *ELDES Configuration Tool* software.

## 5. MAINTENANCE

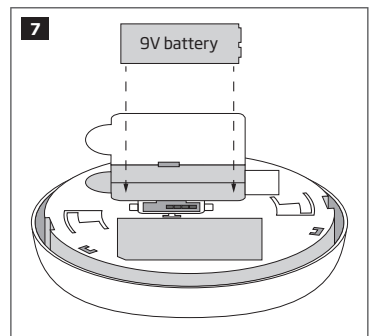
### 5.1. Testing EWF1

- The TEST button verifies if EWF1 is operational. Firmly push the TEST button and the wireless smoke detector will sound a loud beep. The alarm will stop sounding after releasing the TEST button. When testing EWF1 using *ELDES Configuration Tool* software, the detector will provide short beeps.
- Stand at arm's length from the wireless smoke detector when testing.
- Test wireless smoke detectors weekly and upon returning from vacation or when no one has been in the household for several days.
- Test each wireless smoke detector to be sure it is installed correctly and operating properly.
- DO NOT use an open flame to test this wireless smoke detector. You may ignite and damage the wireless smoke detector or your home.
- If the wireless smoke detector does not sound, please check the battery and signal level using *ELDES Configuration Tool* software.

**ATTENTION:** Test all wireless smoke detectors weekly to ensure proper operation.

### 5.2. Battery Replacement

1. Turn EWF1 counter-clockwise to detach it from the mounting plate.
2. Gently pull down the wireless smoke detector.
3. Remove the old battery from the battery pocket.
4. Position the new 9V battery according to the appropriate battery slot positive/negative terminals indicated on the enclosure of EWF1. Ensure the plastic battery holder is fully depressed when the battery has been fitted.
5. Using the TEST button, test the wireless smoke detector to verify if it is operational. See **4.1. Testing EWF1**.
6. Re-attach the wireless smoke detector to the mounting plate by turning the wireless smoke detector clockwise until it snaps into place.



**ATTENTION:** Only Primary 9V Lithium 1200mAh battery can be used. Install only new, high quality and unexpired batteries.

**ATTENTION:** The battery must be removed if the device is not in use.

**ATTENTION:** In order to avoid fire or explosion hazards, the system must be used only with approved battery. Special care must be taken when connecting positive and negative battery terminals. Dispose old batteries only into special collection sites. Do not charge, disassemble, heat or incinerate old batteries.

**NOTE:** The battery status can be monitored in real-time using *ELDES Configuration Tool* software.

**NOTE:** The system sends an SMS message to the preset user phone number as soon as the battery level runs below 5%.

### 5.3. Restoring Default Parameters

1. Remove the battery from EWF1.
2. Press and hold the RESET button.
3. Insert the battery back to EWF1.
4. Hold the RESET button until you hear a short beep.
5. Release the RESET button.

On some EWF1 models the RESET button is not available. On such EWF1 devices the reset process is as follows:

1. Remove the battery from EWF1.
2. Wait for 45 seconds.
3. Press and hold the TEST button.
4. Insert the battery back to EWF1.
5. Hold the TEST button for 10 seconds or more.
6. Release the TEST button.

**ATTENTION:** EWF1 built-in speaker will sound while pressing and holding the TEST button. Please, ignore the sound.

### 5.4. Cleaning

Clean the wireless smoke detector at least once a month to remove dust, dirt, or debris. Using the soft brush or wand attachment of a vacuum cleaner, vacuum all sides and cover of wireless smoke detector. Be sure all the vents are free of debris. If necessary, use a damp cloth to clean wireless smoke detector cover.

**NOTE:** Do not attempt to remove the cover to clean inside the wireless smoke detector. This will void your warranty.

## 6. ADDITIONAL INFORMATION

### Limited Liability

The buyer must agree that the system will reduce the risk of fire, theft, burglary or other dangers but does not guarantee against such events. "ELDES UAB" will not take any responsibility regarding personal or property or revenue loss while using the system. "ELDES UAB" liability according to local laws does not exceed value of the purchased system. "ELDES UAB" is not affiliated with any of the Internet providers therefore is not responsible for the quality of Internet service.

### Manufacturer Warranty

This device carries a 24-month warranty by the manufacturer "ELDES UAB". Warranty period starts from the day the system has been purchased by the end user. The warranty is valid only if the system has been used as intended, following all guidelines listed in the manual and within specified operating conditions. Receipt must be kept as a proof of purchase date. The warranty is voided if the system has been exposed to mechanical impact, chemicals, high humidity, fluids, corrosive and hazardous environment or other force majeure factors.

### Safety instructions

Please read and follow these safety guidelines in order to maintain safety of operators and people around:

- DO NOT use the system where it can be interfere with other devices and cause any potential danger.
- DO NOT use the system with medical devices.
- DO NOT use the system in hazardous environment.
- DO NOT expose the system to high humidity, chemical environment or mechanical impacts.
- DO NOT attempt to personally repair the system.



The WEEE (Waste Electrical and Electronic Equipment) marking on this product (see left) or its documentation indicates that the product must not be disposed of together with household waste. To prevent possible harm to human health and/or the environment, the product must be disposed on in an approved and environmentally safe recycling process. For further information on how to dispose of this product correctly, contact the system supplier, or the local authority responsible for waste disposal in your area.

Copyright © "ELDES UAB", 2014. All rights reserved

It is not allowed to copy and distribute information in this document or pass to a third party without advanced written authorization by "ELDES UAB". "ELDES UAB" reserves the right to update or modify this document and/or related products without a warning. Hereby, "ELDES UAB" declares that wireless smoke detector EWF1 is in compliance with the essential requirements and other relevant provisions of Directive 1999/5/EC. The declaration of conformity may be consulted at [www.eldes.lt](http://www.eldes.lt)







Made in the European Union  
[www.eldes.it](http://www.eldes.it)