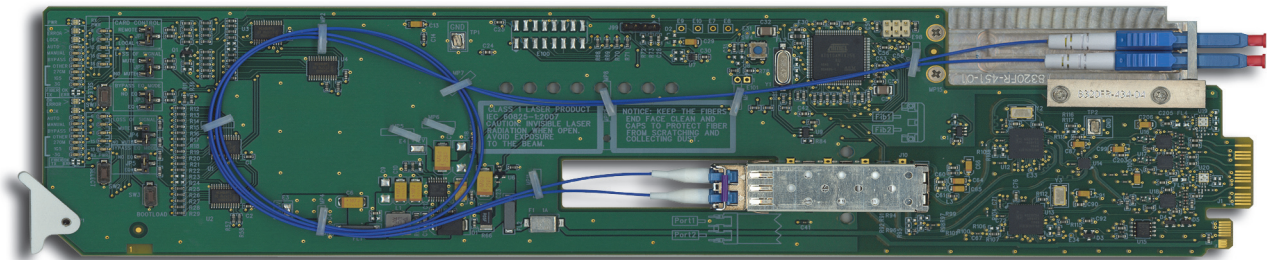


# FDT-6604 Series

## Dual Channel Optical Transmitters User Manual



# Thank you for choosing Ross

You've made a great choice. We expect you will be very happy with your purchase of Ross Technology.

Our mission is to:

1. Provide a Superior Customer Experience
  - offer the best product quality and support
2. Make Cool Practical Technology
  - develop great products that customers love

Ross has become well known for the Ross Video Code of Ethics. It guides our interactions and empowers our employees. I hope you enjoy reading it below.

If anything at all with your Ross experience does not live up to your expectations be sure to reach out to us at [solutions@rossvideo.com](mailto:solutions@rossvideo.com).



David Ross  
CEO, Ross Video  
[dross@rossvideo.com](mailto:dross@rossvideo.com)

## Ross Video Code of Ethics

Any company is the sum total of the people that make things happen. At Ross, our employees are a special group. Our employees truly care about doing a great job and delivering a high quality customer experience every day. This code of ethics hangs on the wall of all Ross Video locations to guide our behavior:

1. We will always act in our customers' best interest.
2. We will do our best to understand our customers' requirements.
3. We will not ship crap.
4. We will be great to work with.
5. We will do something extra for our customers, as an apology, when something big goes wrong and it's our fault.
6. We will keep our promises.
7. We will treat the competition with respect.
8. We will cooperate with and help other friendly companies.
9. We will go above and beyond in times of crisis. *If there's no one to authorize the required action in times of company or customer crisis - do what you know in your heart is right. (You may rent helicopters if necessary.)*

---

# FDT-6604 Series User Manual

- Ross Part Number: 6604DR-004-03
- Release Date: September 3, 2014.

---

## Copyright

© 2014 Ross Video Limited. Ross®, openGear®, and any related marks are trademarks or registered trademarks of Ross Video Ltd. All other trademarks are the property of their respective companies. PATENTS ISSUED and PENDING. All rights reserved. No part of this publication may be reproduced, stored in a retrieval system, or transmitted in any form or by any means, mechanical, photocopying, recording or otherwise, without the prior written permission of Ross Video. While every precaution has been taken in the preparation of this document, Ross Video assumes no responsibility for errors or omissions. Neither is any liability assumed for damages resulting from the use of the information contained herein.

---

## Patents

Patent numbers US 7,034,886; US 7,508,455; US 7,602,446; US 7,802,802 B2; US 7,834,886; US 7,914,332; US 8,307,284; US 8,407,374 B2; US 8,499,019 B2; US 8,519,949 B2; US 8,743,292 B2; GB 2,419,119 B; GB 2,447,380 B; and other patents pending.

---

# Important Regulatory and Safety Notices to Service Personnel

Before using this product and any associated equipment, refer to the “**Important Safety Instructions**” listed below to avoid personnel injury and to prevent product damage.

Product may require specific equipment, and/or installation procedures to be carried out to satisfy certain regulatory compliance requirements. Notices have been included in this publication to call attention to these specific requirements.

## Symbol Meanings



---

*This symbol on the equipment refers you to important operating and maintenance (servicing) instructions within the Product Manual Documentation. Failure to heed this information may present a major risk of damage to persons or equipment.*

---



---

**Warning** — *The symbol with the word “Warning” within the equipment manual indicates a potentially hazardous situation, which, if not avoided, could result in death or serious injury.*

---



---

**Caution** — *The symbol with the word “Caution” within the equipment manual indicates a potentially hazardous situation, which, if not avoided, may result in minor or moderate injury. It may also be used to alert against unsafe practices.*

---



---

**Notice** — *The symbol with the word “Notice” within the equipment manual indicates a potentially hazardous situation, which, if not avoided, may result in major or minor equipment damage or a situation which could place the equipment in a non-compliant operating state.*

---



---

**ESD Susceptibility** — *This symbol is used to alert the user that an electrical or electronic device or assembly is susceptible to damage from an ESD event.*

---

## Important Safety Instructions



---

**Caution** — *This product is intended to be a component product of the DFR-8300 series frame. Refer to the DFR-8300 and OG3-FR Series Frame User Manual for important safety instructions regarding the proper installation and safe operation of the frame as well as its component products.*

---



---

**Warning** — *Certain parts of this equipment namely the power supply area still present a safety hazard, with the power switch in the OFF position. To avoid electrical shock, disconnect all A/C power cords from the chassis’ rear appliance connectors before servicing this area.*

---



---

**Warning** — *Service barriers within this product are intended to protect the operator and service personnel from hazardous voltages. For continued safety, replace all barriers after any servicing.*

*This product contains safety critical parts, which if incorrectly replaced may present a risk of fire or electrical shock. Components contained with the product’s power supplies and power supply area, are not intended to be customer serviced and should be returned to the factory for repair. To reduce the risk of fire, replacements fuses must be the same time and rating. Only use attachments/accessories specified by the manufacturer.*

---

## EMC Notices

### United States of America FCC Part 15

This equipment has been tested and found to comply with the limits for a class A Digital device, pursuant to part 15 of the FCC Rules. These limits are designed to provide reasonable protection against harmful interference when the equipment is operated in a commercial environment. This equipment generates, uses, and can radiate radio frequency energy and, if not installed and used in accordance with the instruction manual, may cause harmful interference to radio communications. Operation of this equipment in a residential area is likely to cause harmful interference in which case the user will be required to correct the interference at their own expense.



**Notice** — *Changes or modifications to this equipment not expressly approved by Ross Video Limited could void the user's authority to operate this equipment.*

---

### CANADA

This Class “A” digital apparatus complies with Canadian ICES-003.

Cet appareil numérique de la classe “A” est conforme à la norme NMB-003 du Canada.

### EUROPE

This equipment is in compliance with the essential requirements and other relevant provisions of CE Directive 93/68/EEC.

### INTERNATIONAL

This equipment has been tested to **CISPR 22:1997** along with amendments **A1:2000** and **A2:2002**, and found to comply with the limits for a Class A Digital device.



**Notice** — *This is a Class A product. In domestic environments, this product may cause radio interference, in which case the user may have to take adequate measures.*

---

## Maintenance/User Serviceable Parts

Routine maintenance to this openGear product is not required. This product contains no user serviceable parts. If the module does not appear to be working properly, please contact Technical Support using the numbers listed under the “Contact Us” section on the last page of this manual. All openGear products are covered by a generous 5-year warranty and will be repaired without charge for materials or labor within this period. See the “Warranty and Repair Policy” section in this manual for details.

---

# Important Laser Safety Measures and Notices

Before using this product and any associated equipment, refer to the sections below so as to avoid personnel injury and to prevent product damage. For further safety information when using fiber products, consult the following publications:

- *IEC-60825- 2, Safety of Laser Products - Part 2: Safety of Optical Fiber Communication Systems (OFCS)* (for use outside of the U.S.A.)
- *ANSI Z136.2, Safe Use of Optical Fiber Communication Systems Utilizing Laser Diode and LED Sources* (for use in the U.S.A.)

Products may require specific equipment, and /or installation procedures be carried out to satisfy certain regulatory compliance requirements.



**Caution** — *Before operating or servicing this product, all personnel should be familiar with laser safety and fiber handling practices.*

---

## Safety Measures for Operation

During normal operation of this product, heed the following safety measures:

- Do not stare at, or into, broken, or damaged, fibers.
- Do not stare at, or into, optical connectors.
- Only properly trained and authorized personnel shall be permitted to perform laser/fiber optic operations.
- Ensure that appropriate labels are displayed in plain view and in close proximity to the optical port on the protective housing/access panel of the terminal equipment.

## Safety Measures for Maintenance and Servicing



---

**Warning** — *Do not use optical equipment, such as a microscope or an eye loupe, to stare at the energized fiber end. Doing so may damage your eyes.*

---

During maintenance and servicing of this product, only properly trained and authorized personnel shall be allowed to use optical test or diagnostic equipment.

## Laser Information



---

*CLASS 1 LASER PRODUCT  
IEC 60825-1:2007*

**Caution** — *INVISIBLE LASER RADIATION WHEN OPEN. AVOID EXPOSURE TO THE BEAM.*

---

## Environmental Information

**The equipment that you purchased required the extraction and use of natural resources for its production. It may contain hazardous substances that could impact health and the environment.**

To avoid the potential release of those substances into the environment and to diminish the need for the extraction of natural resources, Ross Video encourages you to use the appropriate take-back systems. These systems will reuse or recycle most of the materials from your end-of-life equipment in an environmentally friendly and health conscious manner.

The crossed out wheelee bin symbol invites you to use these systems.



If you need more information on the collection, re-use, and recycling systems, please contact your local or regional waste administration.

You can also contact Ross Video for more information on the environmental performance of our products.

---

## Company Address



### **Ross Video Limited**

8 John Street  
Iroquois, Ontario, K0E 1K0  
Canada

### **Ross Video Incorporated**

P.O. Box 880  
Ogdensburg, New York  
USA 13669-0880

General Business Office: (+1) 613 • 652 • 4886

Fax: (+1) 613 • 652 • 4425

Technical Support: (+1) 613 • 652 • 4886

After Hours Emergency: (+1) 613 • 349 • 0006

E-mail (Technical Support): [techsupport@rossvideo.com](mailto:techsupport@rossvideo.com)

E-mail (General Information): [solutions@rossvideo.com](mailto:solutions@rossvideo.com)

Website: <http://www.rossvideo.com>



# Contents

- Introduction** **1**
  - Overview ..... 1-2
  - FDT-6604 Functional Block Diagrams ..... 1-4
  - User Interfaces ..... 1-5
    - DashBoard Control System ..... 1-5
    - Card-edge Controls ..... 1-5
    - SNMP Monitoring and Control ..... 1-5
  - Documentation Terms and Conventions ..... 1-6
  
- Installation** **2**
  - Before You Begin ..... 2-2
    - Static Discharge ..... 2-2
    - Unpacking ..... 2-2
    - Working with Fiber Optic Connectors ..... 2-2
  - Installing the FDT-6604 Series ..... 2-3
    - Supported Rear Modules ..... 2-3
    - Installing a Rear Module ..... 2-3
    - Installing a Card ..... 2-4
  - Cabling ..... 2-5
    - FDT-6604 Cabling Overview ..... 2-5
  - Software Upgrades ..... 2-7
    - To upgrade the software on a card ..... 2-7
  
- User Controls** **3**
  - Card Overview ..... 3-2
  - Control and Monitoring Features ..... 3-4
    - Status LEDs on the FDT-6604 Series ..... 3-4
  
- DashBoard Menus** **4**
  - Status Tabs ..... 4-2
    - Signal Tab ..... 4-2
    - Hardware Tab ..... 4-3
    - Product Tab ..... 4-3
  - Setup Menus ..... 4-4
  - Alarms Menus ..... 4-5
  
- Specifications** **5**
  - Technical Specifications ..... 5-2
  
- Service Information** **6**
  - Troubleshooting Checklist ..... 6-2
    - Bootload Button ..... 6-2
  - Warranty and Repair Policy ..... 6-3



# Introduction

---

## In This Chapter

This chapter contains the following sections:

- Overview
- FDT-6604 Functional Block Diagrams
- User Interfaces
- Documentation Terms and Conventions

## A Word of Thanks

Congratulations on choosing an openGear FDT-6604 Dual Channel Optical Transmitters. The FDT-6604 is part of a full line of products within the openGear Terminal Equipment family of products, backed by Ross Video's experience in engineering and design expertise since 1974.

You will be pleased at how easily your new FDT-6604 fits into your overall working environment. Equally pleasing is the product quality, reliability and functionality. Thank you for joining the group of worldwide satisfied Ross Video customers!

Should you have a question pertaining to the installation or operation of your FDT-6604, please contact us at the numbers listed on the back cover of this manual. Our technical support staff is always available for consultation, training, or service.

---

## Overview

The FDT-6604 series provides the ability to transport digital video baseband signals over a fiber optic link, allowing for longer transport distances. SDI outputs are reclocked providing excellent jitter and return loss specifications. This card also supports serial digital data rates from 270Mbps up to 2.98Gbps (1080p). LED indicators at the front of the card identify the presence of incoming video and the identified signal data rates for each channel independently.

The FDT-6604 series cards are fully hot swappable with all active components on the front removable module. No active components are installed on the rear module. This design greatly reduces down time eliminating any need for users to access the back of the rack frame.

The FDT-6604 series includes a serial digital SDI to fiber optic converter capable of equalizing and reclocking all common serial digital signals. Each channel of the card equalizes the incoming SDI signal, reclocks the signal with automatic rate detection for all popular data rates. Each channel is fully independent and can run at different data rates.

### FDT-6604 Wavelengths

The FDT-6604 transmits at 1310nm on both channels and is targeted for point to point connections. For multiplexed optical connections or different wavelengths, select the appropriate part from the FDT-6604 CWDM Series.

### FDT-6604 CWDM Series Wavelengths

The FDT-6604 is also available with Coarse Wavelength Division Multiplexing (CWDM) lasers. These models are identified with a two digit suffix as indicated in **Table 1.1**. The output wavelengths for each model are also indicated.

**Table 1.1 Supported Output Wavelengths**

Model	Output Wavelengths
FDT-6604-27	1270nm, 1290nm
FDT-6604-31	1310nm, 1330nm
FDT-6604-35	1350nm, 1370nm
FDT-6604-43	1430nm, 1450nm
FDT-6604-47	1470nm, 1490nm
FDT-6604-51	1510nm, 1530nm
FDT-6604-55	1550nm, 1570nm
FDT-6604-59	1590nm, 1610nm

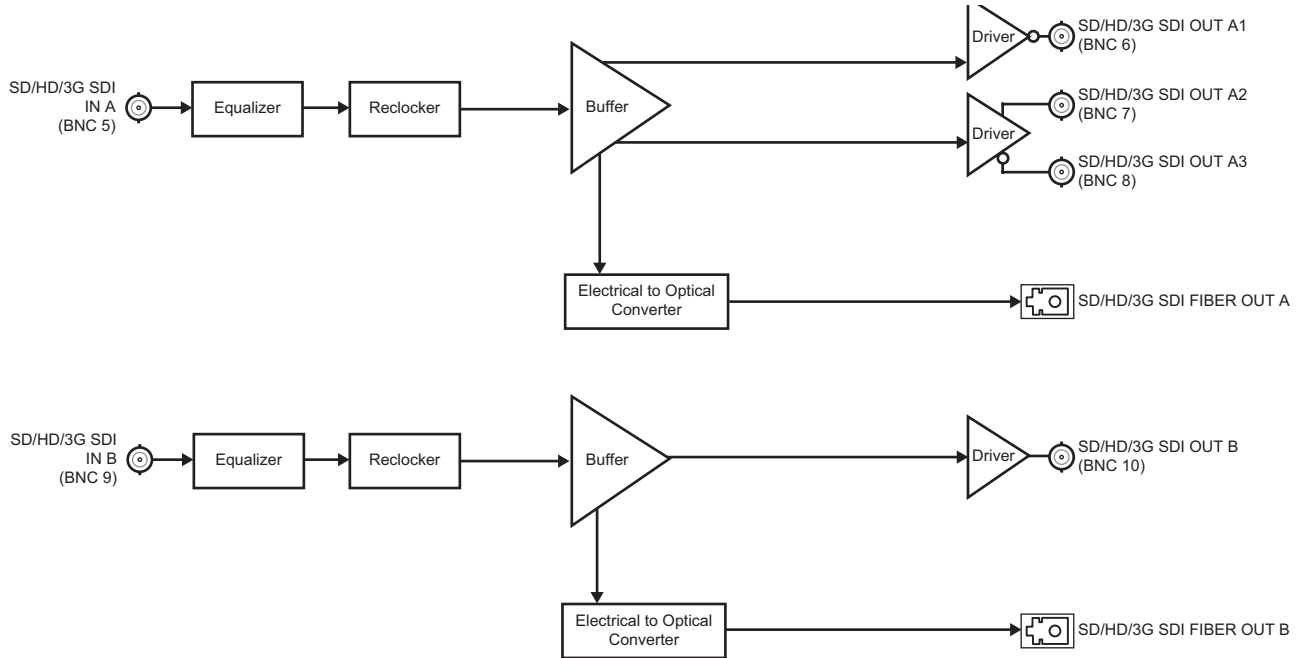
## Features

The following features are standard for the FDT-6604 series:

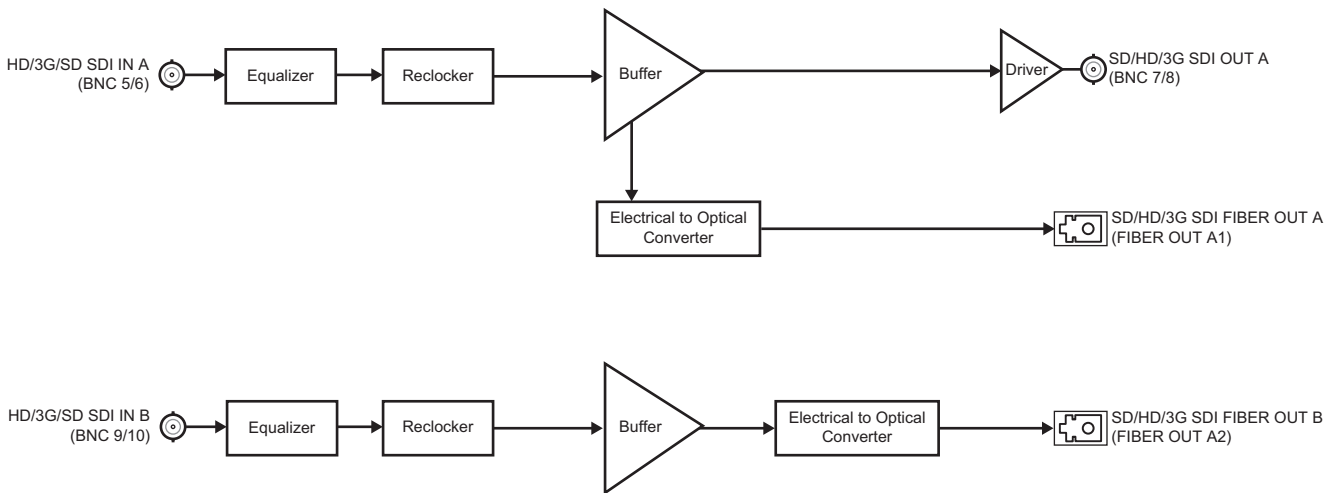
- Supports a wide variety of standards (SD, HD, and 3G SDI)
- Conforms to SMPTE 424M, SMPTE 292M, and SMPTE 259M-C
- Supports single-mode fiber
- Hot-swappable from front of frame with no external connect/reconnect required
- *FDT-6604 only*: Optical output wavelength of 1310nm, Fabry-Perot (FP) Laser with -7 to -2dBm optical output power
- *FDT-6604 CWDM Series only*: Optical output wavelengths from 1270nm to 1610nm, Distributed Feedback (DFB) Laser with 0 to +3dBm optical output power
- Provides two SDI inputs, two fiber optic outputs, and four SDI outputs using a Full Rear Module (8320AR-044)
- LC/UPC optical connections
- Reclocking on all outputs at 270Mbps, 1.483Gbps, 1.485Gbps, 2.967Gbps, and 2.970Gbps
- Automatic detection of incoming data rate
- LED indicators for signal presence and data rate
- Reports status and configuration remotely via the DashBoard Control System
- Supports DataSafe
- Fits DFR-8321 series and OG3-FR series frames
- High density with 20 cards per frame in the openGear frames using Split Rear Modules (8320AR-045)
- Fully compliant with openGear specifications
- 5-year transferable warranty

# FDT-6604 Functional Block Diagrams

This section provides a functional block diagrams that outlines the workflow of the FDT-6604.



**Figure 1.1** Simplified Block Diagram — 8320AR-044 Full Rear Module



**Figure 1.2** Simplified Block Diagram — 8320AR-045 Split Rear Module (Single Card only)

---

# User Interfaces

The FDT-6604 series includes the following user interfaces.

## DashBoard Control System

The DashBoard Control System enables you to monitor and control openGear frames and cards from a computer. DashBoard communicates with other cards in the openGear frame through the Network Controller Card. The DashBoard software and user manual are available on our website.

### ***For More Information on...***

- installing and using DashBoard, refer to the *DashBoard User Manual*.
- installing and configuring your Network Controller Card, refer to its user manual.
- the menus available in DashBoard for your card, refer to the chapter “**DashBoard Menus**” on page 4-1.

## Card-edge Controls

The front-edge of the FDT-6604 series cards includes LEDs for monitoring the status of the input signals, reclocker operation, and general communication status. The card-edge also includes jumpers for setting the reclocker rate, setting the bypass mode, and card behavior during a loss of input.

### ***For More Information on...***

- the card-edge controls, refer to the section “**Card Overview**” on page 3-2.
- monitoring the card-edge LEDs, refer to the section “**Control and Monitoring Features**” on page 3-4.

## SNMP Monitoring and Control

The Network Controller Card in the openGear frame provides optional support for remote monitoring of your frame and using the Simple Network Management Protocol (SNMP), which is compatible with many third-party monitoring and control tools.

### ***For More Information on...***

- SNMP controls on the card, refer to the FDT-6604 series Management Information Base (MIB) file.
- SNMP Monitoring and Control setup, refer to the *MFC-8300 Series User Manual*.

---

# Documentation Terms and Conventions

The following terms and conventions are used throughout this manual.

## Terms

The following terms are used:

- “**Board**”, and “**Card**” refer to openGear terminal devices within openGear frames, including all components and switches.
- “**DashBoard**” refers to the DashBoard Control System.
- “**DFR-8321 series frame**” refers to all versions of the DFR-8321 series frames and any available options unless otherwise noted.
- “**FDT-6604**” refers to the card version that does not include the Coarse Wavelength Division Multiplexing (CWDM) lasers.
- “**FDT-6604 CWDM Series**” refers to the FDT-6604-27, FDT-6604-31, FDT-6604-35, FDT-6604-43, FDT-6604-47, FDT-6604-51, FDT-6604-55, and FDT-6604-59 unless otherwise noted.
- “**FDT-6604 series**” refers to all versions of the card and any available options unless otherwise noted.
- “**OP3-FR series frame**” refers to all versions of the OG3-FR series frames and any available options unless otherwise noted.
- “**openGear frame**” refers to the DFR-8321 series and the OG3-FR series frames that house the cards.
- “**Operator**” and “**User**” refer to the person who uses the card.
- “**System**” and “**Video system**” refer to the mix of interconnected production and terminal equipment in your environment.

## Conventions

The following conventions are used:

- The “**Operating Tips**” and “**Note**” boxes are used to provide additional user information.



# Installation

---

## In This Chapter

This chapter provides instructions for installing the rear module(s) for the FDT-6604 series, installing a card into the frame, cabling details, and updating the software.

The following topics are discussed:

- Before You Begin
- Installing the FDT-6604 Series
- Cabling
- Software Upgrades

# Before You Begin

Before proceeding with the instructions in this chapter, ensure that your openGear frame is properly installed according to the instructions in the its manual.

## Static Discharge

Throughout this chapter, please heed the following cautionary note:



**ESD Susceptibility** — *Static discharge can cause serious damage to sensitive semiconductor devices. Avoid handling circuit boards in high static environments such as carpeted areas and when synthetic fiber clothing is worn. Always exercise proper grounding precautions when working on circuit boards and related equipment.*

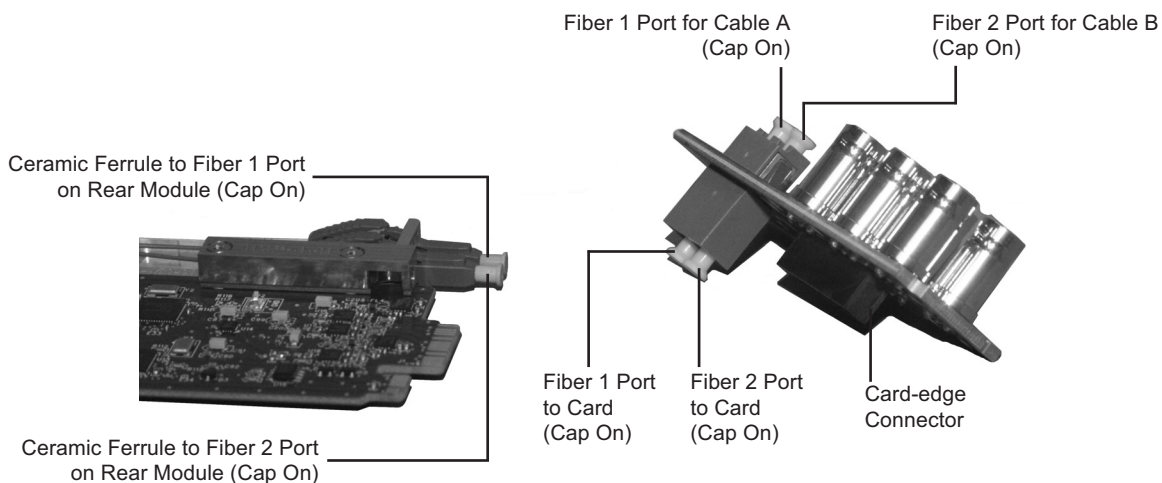
## Unpacking

Unpack each card you received from the shipping container and ensure that all items are included. If any items are missing or damaged, contact your sales representative or Ross Video directly.

## Working with Fiber Optic Connectors

Keep the following in mind when working with fiber optic connectors:

- Every time you are required to insert a connector into a device or mating sleeve, you must clean the connector. All exposed surfaces of the ceramic ferrule must be clean. Follow your facility practices of cleaning fiber optic connectors.
- Connectors must always be inserted into a device or have a dust cap on. Refer to **Figure 2.1** for dust cap locations.
- A poor optical connection is often similar to a poor electrical connection. Try removing the connector, cleaning, and re-inserting the connector. A bad connection can result in experiencing instability of signal, high loss, or a noisy signal.



**Figure 2.1** Card Connectors with Dust Caps Installed — 8320AR-044 Rear Module Shown

# Installing the FDT-6604 Series

This section outlines how to install a rear module and card in an openGear frame. The specific rear module you need to install depends on your application.



**Caution** — *Never attempt to look down the barrel of a connected fiber or device transmitting an optical signal. The transmitted light is not in the visible spectrum and may cause permanent eye damage. Turn off all laser sources before disconnecting devices.*

## Supported Rear Modules

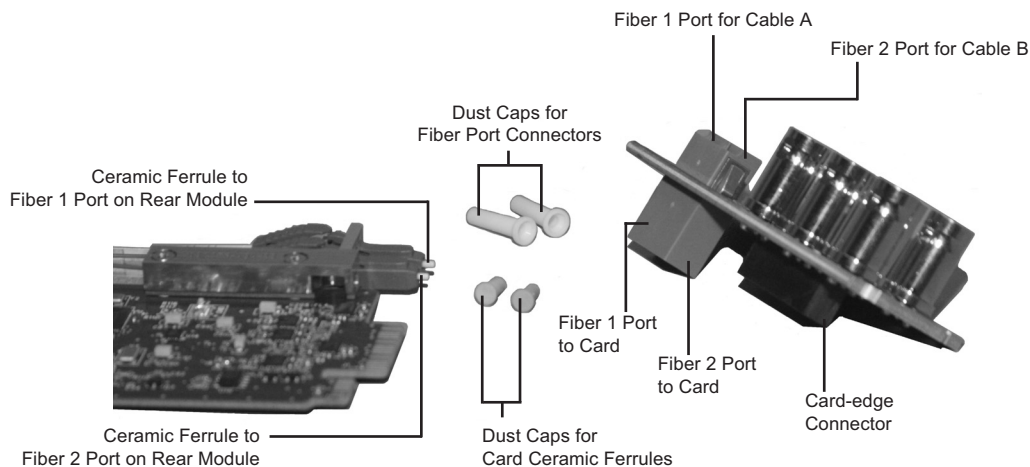
The **8320AR-044** Full Rear Module or the **8320AR-045** Split Rear Module can be used. Note that the available cable designations differ between the type of module used. Refer to the section “Cabling” on page 2-5 for details.

## Installing a Rear Module

If the rear module is already installed, proceed to the section “Installing a Card” on page 2-4.

### To install a rear module in your openGear frame

1. Locate the card frame slots on the rear of the frame.
2. Remove the Blank Plate from the slot you have chosen for the installation.
3. Remove the dust caps from the Fiber ports on the rear module that faces the interior of the frame. Refer to **Figure 2.1** and **Figure 2.2** for dust cap locations.



**Figure 2.2** Card Connectors with Dust Caps Removed — 8320AR-044 Rear Module Shown

4. Install the bottom of the rear module in the **Module Seating Slot** at the base of the frame’s back plane.
5. Align the top hole of the rear module with the screw on the top-edge of the frame back plane.
6. Using a Phillips screwdriver and the supplied screw, fasten the rear module to the back plane of the frame. Do not over tighten.
7. Ensure proper frame cooling and ventilation by having all rear frame slots covered with rear modules or Blank Plates.

## Installing a Card

Use the following procedure to install a card in a DFR-8321 series frame:

1. Locate the rear module you installed in the procedure “**Installing a Rear Module**”.
2. Ensure that the rear module is one of the required rear modules for the card. You must use either a Full Rear Module (8320AR-044) or a Split Rear Module (8320AR-045).
3. Remove the dust caps from the **Fiber 1** and **Fiber 2** port connectors on the card end.
  - Refer to **Figure 2.3** for connector location.
  - Refer to the section “**Important Laser Safety Measures and Notices**” at the beginning of this manual for safety information when handling fiber optic components.
4. Ensure that the exposed surface of the ceramic ferrule of the connectors is clean. Refer to the section “**Working with Fiber Optic Connectors**” on page 2-2 for cleaning tips.
5. Hold the card by the edges and carefully align the card-edges with the slots in the frame.
6. Fully insert the card into the frame until the rear connection plus is properly seated in the rear module. You will feel a click when the card mates onto the rear module.
7. Verify whether your **Rear Module Label** is self-adhesive by checking the back of the label for a thin wax sheet. You must remove this wax sheet before affixing the label to the rear module.
8. Affix the supplied **Rear Module Label**, as per the included instructions, to the BNC area of the rear module.
9. Remove the dust cap from the **Fiber 1** port (the topmost fiber optic port) on the rear module that faces the exterior of the frame. This is the port that you will insert your **Fiber A** optic cable into.
10. Remove the dust cap from the **Fiber 2** port (the bottom fiber optic port) on the rear module that faces the exterior of the frame. This is the port that you will insert your **Fiber B** optic cable into.
11. Ensure the ceramic ferrule of each connector is clean.

# Cabling

This section provides information for connecting cables to the installed rear modules on the openGear frame. Connect the input and output cables according to the following sections. The optical connector used to mate the card to the rear module is designed for blind mate optical connections. All fiber interfaces are single mode fibers.



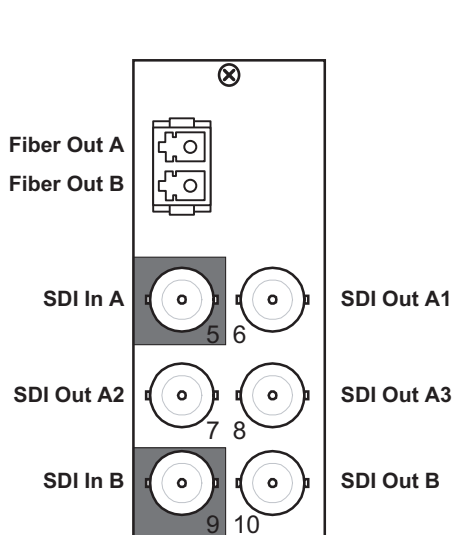
**Caution** — Every time you are required to insert a connector into a device, or mating sleeve, you must clean the connector. All exposed surfaces of the ceramic ferrule must be clean. Follow your facility practices of cleaning fiber optic connectors.

Connectors must always be inserted into a device or have a dust cap on.

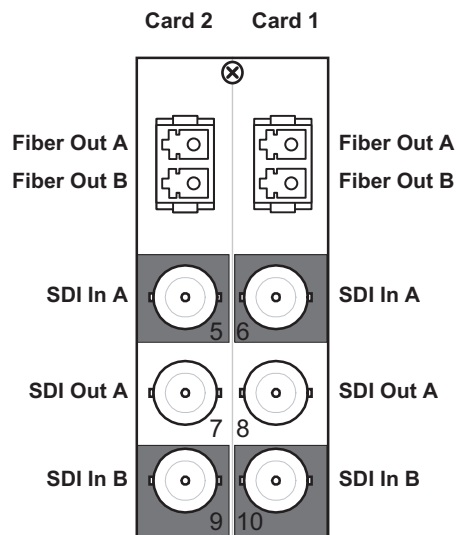
## FDT-6604 Cabling Overview

Use the following rear modules for the FDT-6604:

- **8320AR-044** Full Rear Module — Each rear module occupies two slots and accommodates one card. This rear module provides two optical outputs, two SDI inputs, and four SDI outputs. Refer to **Figure 2.3**.
- **8320AR-045** Split Rear Module — Each rear module occupies two slots and accommodates two cards. This rear module provides two optical outputs, two SDI inputs, and one SDI output per card. Refer to **Figure 2.4**.



**Figure 2.3** Cable Connections for the 8320AR-044 Rear Module



**Figure 2.4** Cable Connections for the 8320AR-045 Rear Module

## FDT-6604 CWDM Series Cabling Overview

The FDT-6604 CWDM Series use the same rear modules as the FDT-6604, but require a different cabling scheme. The wavelength of the optical outputs of your card is dependent on the card model. For the FDT-6604 CWDM Series, the wavelength designation replaces the Fiber Out designations as specified in **Table 2.1**.

**Table 2.1 FDT-6604 CWDM Series Wavelengths**

Model	Output Wavelengths	
	Fiber Out A	Fiber Out B
FDT-6604-27	1270nm OUT	1290nm OUT
FDT-6604-31	1310nm OUT	1330nm OUT
FDT-6604-35	1350nm OUT	1370nm OUT
FDT-6604-43	1430nm OUT	1450nm OUT
FDT-6604-47	1470nm OUT	1490nm OUT
FDT-6604-51	1510nm OUT	1530nm OUT
FDT-6604-55	1550nm OUT	1570nm OUT
FDT-6604-59	1590nm OUT	1610nm OUT

---

# Software Upgrades

This section provides instructions for installing a license key and upgrading the software for your FDT-6604 series using the DashBoard Control System.



---

**Note** — *This procedure assumes that you are running DashBoard version 3.0.0 or higher.*

---

## To upgrade the software on a card

1. Contact Ross Technical Support for the latest software version file.
2. Display the **Device View** of the card by double-clicking its status indicator in the **Basic Tree View**.
3. From the **Device View**, click **Upload** to display the **Select file for upload** dialog.
4. Navigate to the **\*.bin** upload file you wish to upload.
5. Click **Open**.
6. If you are upgrading a single card, click **Finish** to start the upgrade. Proceed to step 8.
7. If you are upgrading multiple cards:
  - Click **Next >** to display the **Select Destination** menu. This menu provides a list of the compatible cards based on the card selected in step 2.
  - Specify the card(s) to upload the file to by selecting the check box(es) for the cards you wish to upload the file to.
  - Verify that the card(s) you wish to upload the file to. The **Error/Warning** fields indicate any errors, such as incompatible software or card type mismatch.
  - Click **Finish**.
8. Monitor the upgrade.
  - The **Upload Status** dialog enables you to monitor the upgrade process.
  - The card reboots automatically once the file is uploaded. The card is temporarily taken offline.
  - The reboot process is complete once the status indicators for the **Card State** and **Connection** return to their previous status.



---

**Operating Tip** — *If you are running DashBoard version 2.3 or lower, you must click **Reboot** in the **Device** tab to complete the upgrade process.*

---





# User Controls

---

## In This Chapter

This chapter provides a general overview of the user controls available on the FDT-6604 series.

The following topics are discussed:

- Card Overview
- Control and Monitoring Features

# Card Overview

This section provides a general overview of the FDT-6604 series components. For information on the LEDs available on the card-edge, refer to the section “Control and Monitoring Features” on page 3-4.

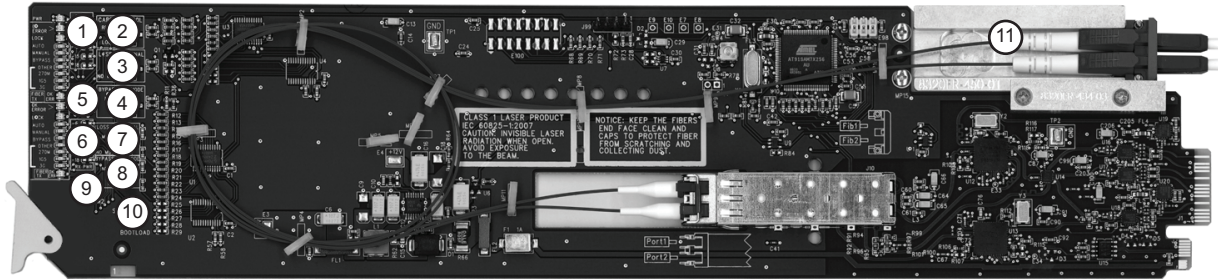


Figure 3.1 FDT-6604 Series — Components

1) Rx Power LEDs - Channel A	5) Select Switch - Channel A ( <b>SW1</b> )	9) Select Switch - Channel B ( <b>SW2</b> )
2) Card Control ( <b>JP1</b> )	6) Rx Power LEDs - Channel B	10) Bootload Button ( <b>SW3</b> )
3) Loss of Signal - Channel A ( <b>JP2</b> )	7) Loss of Signal - Channel B ( <b>JP4</b> )	11) Fiber Optic Connector
4) Bypass EQ Mode - Channel A ( <b>JP3</b> )	8) Bypass EQ Mode - Channel B ( <b>JP5</b> )	

## 1. Rx Power LEDs - Channel A

These LEDs are not implemented.

## 2. Card Control (**JP1**)

Use **JP1** to select whether the card is remotely configured (for example, via Dashboard or SNMP). Select one of the following options:

- **REMOTE** — This option enables the remote configuration. All parameters may be configured remotely. Data rate selection can also be configured locally using **SW1**, however, the jumper settings are ignored. Refer to the chapter “Dashboard Menus” on page 4-1 for information on the available Dashboard menus.
- **LOCAL** — This option disables the remote configuration. The card can only be configured using the card-edge controls. This option is useful to lock out remote configuration changes. This is the default setting.



**Note** — The card status and configuration can still be monitored remotely when **JP1** is set to **LOCAL**.

## 3. Loss of Signal - Channel A (**JP2**)

Use **JP2** to determine the card behavior on a loss of input on Channel A. Note that the **JP2** setting is only used when **JP1** is set to **LOCAL**. Select one of the following options:

- **MUTE** — This option mutes the card outputs when the input equalizer is unable to detect a valid input signal, or when the reclocker is unable to lock to the input.
- **NO MUTE** — This option does not mute the card outputs on loss of input or lock. This is the default setting.

#### 4. Bypass EQ Mode - Channel A (JP3)

Use **JP3** to determine the equalizer behavior when the Reclocker Rate is set to **BYPASS** (using **SW1**) for Channel A. Note that the **JP3** setting is only used when **JP1** is set to **LOCAL**. Select one of the following:

- **EQ** — This option enables the input cable equalizer.
- **NO EQ** — This option disables the equalizer when the Reclocker Rate is set to **BYPASS**. This option allows the card to pass signals that are outside the response band of the equalizer reclocking, such as 143MHz. This is useful for non-SMPTE data rates.

#### 5. Select Switch - Channel A (SW1)

Use **SW1** to set the reclocking rate of the card for Channel A. Pressing **SW1** cycles through the following options:

- **AUTO** — This option enables automatic rate detection on the card. It will automatically lock to input at any supported data rate (270Mbps, 1.5Gbps, or 3Gbps).
- **BYPASS** — This option enables the card to pass any data rate without reclocking. The output is set to the HD slew rate except when the input is a valid SD data rate (270Mbps).
- **270M** — This option configures the card to reclock at a rate of 270Mbps (SD).
- **1.5G** — This configures the card to reclock at a rate of 1.5Gbps (HD).
- **3G** — This configures the card to reclock at a rate of 3Gbps (HD).

#### 6. Rx Power LEDs - Channel B

These LEDs are not implemented.

#### 7. Loss of Signal - Channel B (JP4)

Use **JP4** to determine the card behavior on a loss of input on Channel B. Same options as for Channel A.

#### 8. Bypass EQ Mode - Channel B (JP5)

Use **JP5** to determine the card behavior on a loss of input on Channel B. Note that the **JP5** setting is only used when **JP1** is set to **LOCAL**. Same options as for Channel A.

#### 9. Select Switch - Channel B (SW2)

Use **SW2** to set the reclocking rate of the card for Channel B. Same options as for Channel A.

#### 10. Bootload Button (SW3)

**JP3** is used for factory service in the unlikely event of a complete card failure. The Bootload process is further described in the section “**Bootload Button**” on page 6-2.

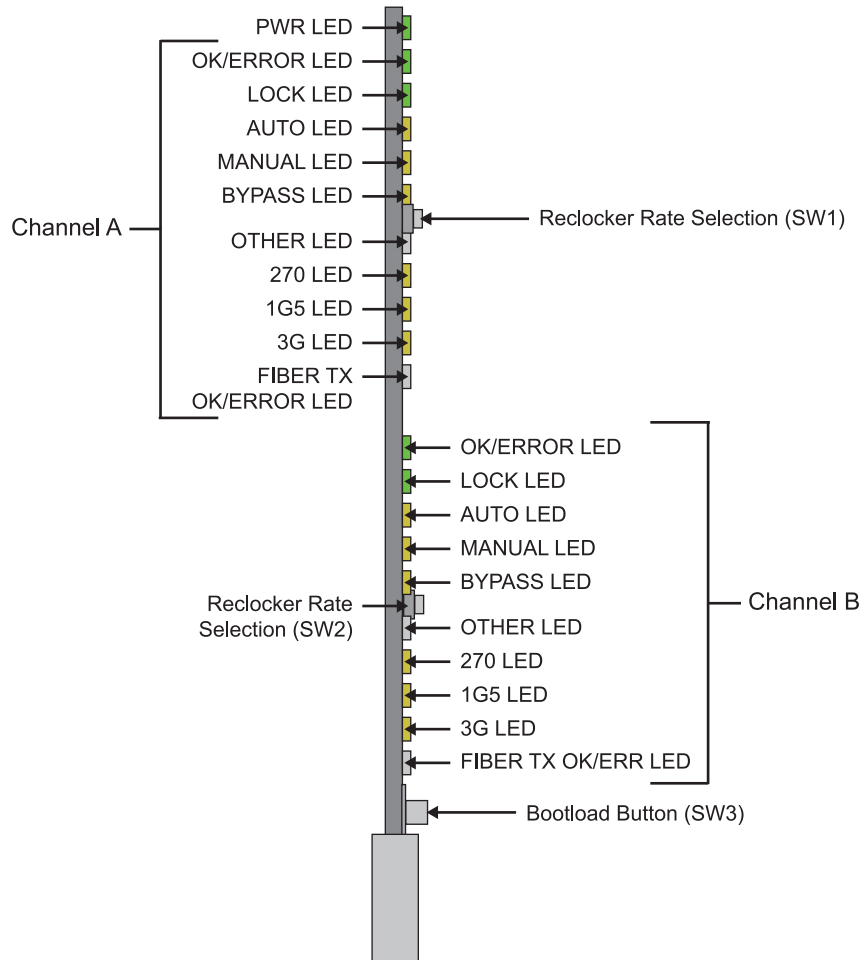
#### 11. Fiber Optic Connector

The FDT-6604 series use a blind mate LC/UPC connector to interface with the Rear Modules (8320AR-044 and 8320AR-045). The rear module remains passive, while allowing for the card to be replaced without the need to remove any connected BNC or fiber optic cables. The blind mate connector is connected to the optical module via a single mode LC/UPC pigtail.

The fiber optic connector for the card includes a dust cap. The dust cap must stay on at all times when the card is not installed in a frame. Ensure to keep the fibers end face clean and use the caps to protect the fiber from scratches and collecting dust. Refer to the section “**Important Laser Safety Measures and Notices**” at the beginning of this manual for safety information.

# Control and Monitoring Features

This section provides information on the LEDs located on the card-edge. Refer to **Figure 3.2** for the location of the LEDs.



**Figure 3.2** FDT-6604 Series — Card-edge Controls

## Status LEDs on the FDT-6604 Series

The front-edge of the card has LED indicators for alarms, and communication activity. Basic LED displays and descriptions are provided in **Table 3.1**.

**Table 3.1** LEDs on the FDT-6604 Series

LED	Color	Display and Description
PWR	Green	When lit green, this LED indicates that the card is functioning normal and that no anomalies have been detected.
	Flashing Green	When flashing green, this LED indicates that the bootloader is currently running.
	Yellow	When lit yellow, this LED indicates that the CPU is booting.
	Red	When lit red, this LED indicates that the card is powering on or there is a fault condition.
	Off	When unlit, this LED indicates a lack of power to the card.

**Table 3.1 LEDs on the FDT-6604 Series**

LED	Color	Display and Description
<b>OK/ERROR</b>	Green	When lit, this LED indicates that a valid input signal is present.
	Red	When lit red, this LED indicates a valid input signal is not present.
<b>LOCK</b>	Green	When lit green, this LED indicates that the reclocker is locked to the input signal.
	Red	When lit red, this LED indicates that the reclocker is unable to lock to the input. This typically indicates that the input data rate is different from the configured reclocking rate, or that the input is an unsupported data rate.
	Off	When unlit, this LED indicates that the reclockers is set to Bypass.
<b>AUTO</b>	Yellow	When lit, this LED indicates that the reclocker is configured to lock to any supported input data rate, using an automatic rate detection scheme.
<b>MANUAL</b>	Yellow	When lit, this LED indicates that the reclocker is configured to a fixed data rate or to Bypass. When configured to a fixed data rate, automatic data rate detection is disabled.
<b>BYPASS</b>	Yellow	When lit, this LED indicates that the reclocker is manually configured to Bypass. The card output is not reclocked.
<b>OTHER</b>	Yellow	This LED is not implemented.
<b>270</b>	Yellow	When lit, this LED indicates that the reclocker is set to a fixed rate of 270Mbps (SD) or is configured in Auto mode and is locked to a 270Mbps SD signal.
<b>1G5</b>	Yellow	When lit, this LED indicates that the reclocker is set to a fixed rate of 1.5Gbps (HD), or is configured in Auto mode and is locked to a 1.5Gbps HD signal.
<b>3G</b>	Yellow	When lit, this LED indicates that the reclocker is set to a fixed rate of 3Gbps (HD), or is configured in Auto mode and is locked to a 3Gbps HD signal.
<b>FIBER TX OK/ERROR</b>	Green	When lit green, this LED indicates that the Fiber Tx signal is functioning normal and that no anomalies have been detected.
	Red	When lit red, this LED indicates that there is a fault condition with the Fiber Tx signal.

## Reclocker Rate Selection LEDs

Table 3.2 provides information on the Reclocker Rate Selections (SW1 or SW2) and LED functions.

**Table 3.2 Card Reclocker Rate Selection Button and LED Functions**

Date Rate LED Displays						Description
AUTO	MANUAL	BYPASS	270M	1G5	3G	
○						Auto mode, card searching for valid rate
○			○			Auto mode, card detects and reclocks rate of 270Mbps
○				○		Auto mode, card detects and reclocks rate of 1.5Gbps
○					○	Auto mode, card detects and reclocks rate of 3Gbps
	○	○				Card is configured for Bypass mode
	○		○			Card is set to reclock 270Mbps
	○			○		Card is set to reclock 1.5Gbps
	○				○	Card is set to reclock 3Gbps

○ = Illuminated LED

# DashBoard Menus

---

## In This Chapter

This section briefly summarizes the menus, items, and parameters available from the DashBoard Control System for the FDT-6604 series. This chapter provides a summary of the menus available for the FDT-6604 series. Default values are indicated with an asterisk (\*).

The following topics are discussed:

- Status Tabs
- Setup Menus
- Alarms Menus

# Status Tabs

This section summarizes the **Status** tab parameters available in DashBoard. The fields in the Status tabs vary in severity from green (valid), yellow (caution), to red (alarm). DashBoard reports the most severe alarm for a single field. Alarm colors are noted within the tables as text set in brackets next to the menu parameter name.

## Signal Tab

**Table 4.1** summarizes the read-only information displayed in the **Signal** tab.

**Table 4.1 Signal Tab Items**

Tab Title	Item	Parameters	Description
<b>Signal - Channel #</b>	Channel Status	OK	Indicates when the channel is functioning normally or if anomalies are detected on the specified channel
		No Input	
		Reclocker unlocked	
		SFP Hi Temp	
		SFP Lo Temp	
		SFP Hi Power	
		SFP Lo Power	
		SFP Tx Fault	
		SFP Not Detected	
	SDI Input	No Signal	Indicates when the SDI Input is present or if errors are detected on the specified channel
		Signal Present (BNC)	
	SDI Output	Locked - #	Indicates the status of the SDI Output on the specified channel
		Undefined Rate	
		Bypass Reclocking	
		No Signal	
		No Signal (muted)	
		Unlocked	
	Optical Module Status	Unlocked (muted)	Indicates the status of the card Optical Module for the specified channel
		OK	
		No Signal	
		Temp High	
		Temp Low	
		Rx Power High	
		Tx Power High	
		Rx Power Low	
	Tx Power Low		



**Table 4.1 Signal Tab Items**

Tab Title	Item	Parameters	Description
Signal - Channel #	Optical Module Status	Tx Fault	Indicates the status of the card Optical Module for the specified channel
		Tx Disabled	
		Not Detected	
	Optical Tx Power (dBm) <sup>a</sup>	#	Indicates the optical power consumption of the Optical Module for the specified channel
Optical Tx Wavelength (nm)	#	Indicates the wavelength of the transmitter	

- a. When operating at the upper or lower optical power limits, it is recommended to use an optical power meter to verify the received power.

## Hardware Tab

Table 4.2 summarizes the read-only information displayed in the **Hardware** tab.

**Table 4.2 Hardware Tab Items**

Tab Title	Item	Parameters	Description
Hardware	HW Status	OK	Indicates the status of the hardware and whether an supported rear module is installed with the card
		Incomp I/O Module	
	Voltage (mV)	#	Supply Voltage
	Current (mA)	#	Current consumption of card
	Optical Module Temperature (C)	#	Internal temperature as reported by the SFP
	CPU Headroom	#	Processing power available
	RAM Available	###	On-board processing memory available
	Uptime (h)	#	Displays the number of hours since the last reboot of the card
Configuration Bank	#	Storage count	

## Product Tab

Table 4.3 summarizes the read-only information displayed in the **Product** tab.

**Table 4.3 Product Tab Items**

Tab Title	Item	Parameters	Description
Product	Product	FDT-6604 or FDT-6604-##	
	Supplier	Ross Video Ltd.	
	Board Rev	##	
	Board S/N	#####	Indicates the card serial number
	Rear Module	#	Indicates the rear module installed
	Software Rev	##.##	Indicates the software version

# Setup Menus

Table 4.4 summarizes the Setup options available in DashBoard.

**Table 4.4 Setup Menu Items**

Menu Title	Item	Parameters	Description
Setup - Channel #	Reclock Rate	Auto*	The card automatically detects the incoming data rate for the specified channel
		Bypass	The card does not reclock the input for the specified channel
		270 Mb/s	The reclocker is set to 270Mbps for the specified channel
		1.5 Gb/s	The reclocker is set to 1.5Gbps for the specified channel
		3 Gb/s	The reclocker is set to 3Gbps for the specified channel
	Enable Equalizer	Selected*	The equalizer is always enabled
		Cleared	The equalizer is disabled when the card is in Bypass Mode for the specified channel
	Mute on Loss of Input <sup>a</sup>	Selected	The output is muted on loss of input for the specified channel
Cleared*		The output is not muted on loss of input for the specified channel	
Setup	Edit Permission	Unlocked*	All configurable menu options are editable
		Locked	All configuration menu options, except this one, are locked and are read-only
		Local Only	<b>JP1</b> is set to <b>LOCAL</b> and all configuration parameters, including this one, are locked and read-only
	Factory Defaults Reset	Reset	Resets all the settings

- a. It is recommended to disable this option to avoid false mutings of the input whenever the input reading is at a low power level.

---

# Alarms Menus

Table 4.5 summarizes the **Alarms** options available in DashBoard.

**Table 4.5 Alarms Menu Items**

Menu Title	Item	Parameters	Description
<b>Alarms - Optical Module Alarms</b>	Alarm on Abnormal Power	Selected*	<b>HW Status</b> field reports when the power consumption of the SFP module is not in range (high/low)
		Cleared	Disables this alarm
	Alarm on Abnormal Temperature	Selected*	<b>HW Status</b> field reports when the temperature of the SFP module is not in range (high/low)
		Cleared	Disables this alarm
<b>Alarms - Channel #</b>	Alarm on Loss of Input	Selected*	<b>Signal Status</b> field reports a loss of input for the specified channel
		Cleared	Disables this alarm for the specified channel



# Specifications

---

## In This Chapter

This chapter includes the technical specifications for the FDT-6604 series. Note that specifications are subject to change without notice.

The following topics are discussed:

- Technical Specifications

# Technical Specifications

This section provides the technical specifications for the FDT-6604 series.

**Table 5.1 FDT-6604 Series Technical Specifications**

Category	Parameter	Specification	
Optical Outputs	Number of Outputs	2	
	SMPTE Standards Accommodated	SMPTE 259M-C, SMPTE 292M, SMPTE 424M	
	Nominal Wavelength	FDT-6604: 1310nm	
		FDT-6604-27: 1270nm, 1290nm	
		FDT-6604-31: 1310nm, 1330nm	
		FDT-6604-35: 1350nm, 1370nm	
		FDT-6604-43: 1430nm, 1450nm	
		FDT-6604-47: 1470nm, 1490nm	
		FDT-6604-51: 1510nm, 1530nm	
		FDT-6604-55: 1550nm, 1570nm	
	Center Wavelength	FDT-6604: +/- 20nm	
		FDT-6604 CWDM series: -6nm to +7.5nm	
	Output Power	FDT-6604: -7dBm to -2dBm	
		FDT-6604 CWDM series: 0 to +3dB	
Connector Type	Single Mode, LC/UPC		
Laser Type	FDT-6604: Fabry-Perot (FP)		
	FDT-6604 CWDM Series: Distributed Feedback (DFB)		
SDI Inputs	Number of Inputs	2	
	SMPTE Standards Accommodated	SMPTE 259M-C, SMPTE 292M, SMPTE 424M	
	Impedance	75ohm terminating	
	Return Loss	>15dB to 1.485GHz	
		>10dB from 1.485GHz to 2.97GHz	
	Cable Length with Equalizer	> 300m of Belden 1694A cable @ 270Mbps > 120m of Belden 1694A cable @ 1.485Gbps > 60m of Belden 1694A cable @ 2.97Gbps	
	DC Offset	±0.5V maximum	
	Signal Level	Max. 1V p-p (0m cable length)	
Connector Type	BNC		

**Table 5.1 FDT-6604 Series Technical Specifications**

Category	Parameter	Specification
<b>SDI Outputs</b>	Number of Outputs	Full Rear Module (8320AR-044): 4 Split Rear Module (8320AR-045): 1
	SMPTE Standards Accommodated	SMPTE 259M-C, SMPTE 292M, SMPTE 424M
	Impedance	75ohm
	Return Loss	>15dB to 1.485GHz >10dB 1.485GHz to 2.97GHz
	Signal Level	800mV ±10%
	DC Offset	0V ±50mV
	Rise and Fall Time (20-80%)	700ps. Typical (270Mbps) 120ps. Typical (1.485Gbps, 2.97Gbps)
	Overshoot	<10%
	Connector Type	BNC
<b>Environment</b>	Operating Range	0°C to 40°C
<b>Power</b>	Power Consumption	<5W





# Service Information

---

## In This Chapter

This chapter contains the following sections:

- Troubleshooting Checklist
- Warranty and Repair Policy

---

# Troubleshooting Checklist

Routine maintenance to this openGear product is not required. In the event of problems with your FDT-6604 series card, the following basic troubleshooting checklist may help identify the source of the problem. If the frame still does not appear to be working properly after checking all possible causes, please contact your openGear products distributor, or the Technical Support department at the numbers listed under the “**Contact Us**” section.



---

**Caution** — *Every time you are required to insert a connector into a device, or mating sleeve, you must clean the connector. All exposed surfaces of the ceramic ferrule must be clean. Follow your facility practices of cleaning fiber optic connectors.*

*Connectors must always be inserted into a device or have a dust cap on.*

---

1. **Visual Review** — Performing a quick visual check may reveal many problems, such as connectors not properly seated or loose cables. Check the card, the frame, and any associated peripheral equipment for signs of trouble.
2. **Power Check** — Check the power indicator LED on the distribution frame front panel for the presence of power. If the power LED is not illuminated, verify that the power cable is connected to a power source and that power is available at the power main. Confirm that the power supplies are fully seated in their slots. If the power LED is still not illuminated, replace the power supply with one that is verified to work.
3. **Input Signal Status** — Verify that source equipment is operating correctly and that a valid signal is being supplied.
4. **Output Signal Path** — Verify that destination equipment is operating correctly and receiving a valid signal.
5. **Unit Exchange** — Exchanging a suspect unit with a unit that is known to be working correctly is an efficient method for localizing problems to individual units.

## Bootload Button

In the unlikely event of a complete card failure, you may be instructed by a Ross Technical Support specialist to perform a complete software reload on the card.

### To reload the software on a card

1. Eject the card from the frame.
2. Press and hold the **Bootload** button, while re-inserting the card into the frame.
3. Release the button.
  - The **PWR** LED flashes green while the card is waiting for a new software load.
  - If a new software load is not sent to the card within 60 seconds, the card will attempt to restart with its last operational software load.
  - Software loads can be sent to the card via the ethernet connection on the rear of the frame.

---

## Warranty and Repair Policy

The FDT-6604 series card is warranted to be free of any defect with respect to performance, quality, reliability, and workmanship for a period of FIVE (5) years from the date of shipment from our factory. In the event that your FDT-6604 series card proves to be defective in any way during this warranty period, Ross Video Limited reserves the right to repair or replace this piece of equipment with a unit of equal or superior performance characteristics.

Should you find that the FDT-6604 series card has failed after your warranty period has expired, we will repair your defective product should suitable replacement components be available. You, the owner, will bear any labor and/or part costs incurred in the repair or refurbishment of said equipment beyond the FIVE (5) year warranty period.

In no event shall Ross Video Limited be liable for direct, indirect, special, incidental, or consequential damages (including loss of profits) incurred by the use of this product. Implied warranties are expressly limited to the duration of this warranty.

This FDT-6604 Series User Manual provides all pertinent information for the safe installation and operation of your openGear Product. Ross Video policy dictates that all repairs to the FDT-6604 series card are to be conducted only by an authorized Ross Video Limited factory representative. Therefore, any unauthorized attempt to repair this product, by anyone other than an authorized Ross Video Limited factory representative, will automatically void the warranty. Please contact Ross Video Technical Support for more information.

### In Case of Problems

Should any problem arise with your FDT-6604 series card, please contact the Ross Video Technical Support Department. (Contact information is supplied at the end of this publication.)

A Return Material Authorization number (RMA) will be issued to you, as well as specific shipping instructions, should you wish our factory to repair your FDT-6604 series card. If required, a temporary replacement frame will be made available at a nominal charge. Any shipping costs incurred will be the responsibility of you, the customer. All products shipped to you from Ross Video Limited will be shipped collect.

The Ross Video Technical Support Department will continue to provide advice on any product manufactured by Ross Video Limited, beyond the warranty period without charge, for the life of the equipment.

# Contact Us

Contact our friendly and professional support representatives for the following:

- Name and address of your local dealer
- Product information and pricing
- Technical support
- Upcoming trade show information

## Technical Support

Telephone: +1 613 • 652 • 4886  
After Hours Emergency: +1 613 • 349 • 0006  
Email: [techsupport@rossvideo.com](mailto:techsupport@rossvideo.com)

## General Information

Telephone: +1 613 • 652 • 4886  
Fax: +1 613 • 652 • 4425  
Email: [solutions@rossvideo.com](mailto:solutions@rossvideo.com)  
Website: <http://www.rossvideo.com>

## Visit Us

Visit our website for:

- Company information and news
- Related products and full product lines
- Online catalog
- Testimonials