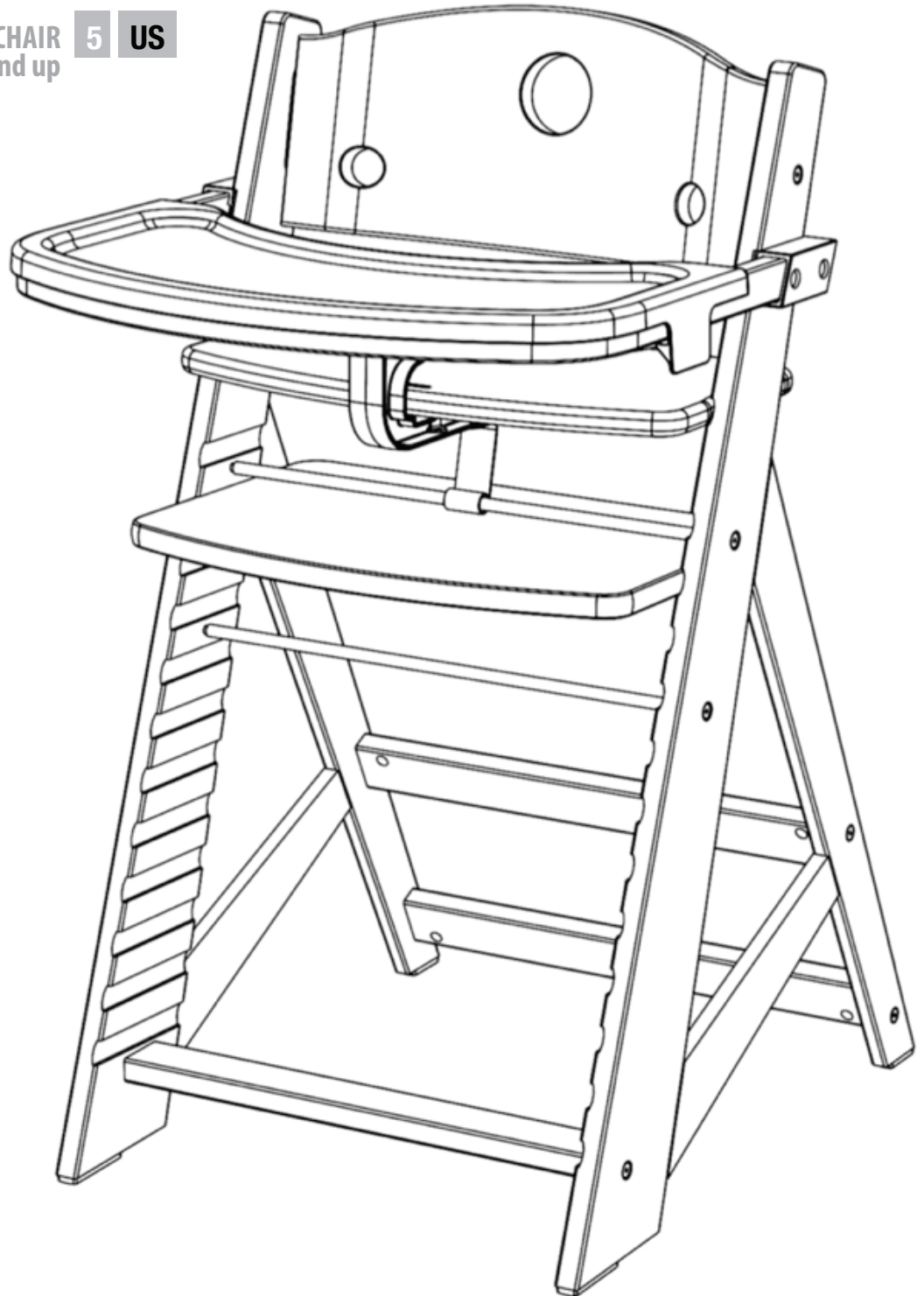


# HEIGHT RIGHT™ high chair

FOR CHILDREN UNDER 3 YEARS OF AGE. ABLE TO SIT INDEPENDENTLY

HIGH CHAIR ASSEMBLY **2 US**  
under 3 years

CONVERSION TO KIDS CHAIR **5 US**  
ages 3 years and up



# Height Right High Chair

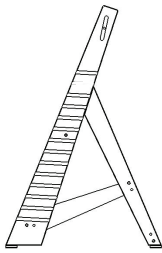
**⚠️WARNING:** The J-Bracket and Plastic Crotch Bar are ALWAYS required when using the Tray. Seat Plate must be installed in the top slot while using Tray.

**⚠️WARNING:** Prevent serious injury or death from falls or sliding out.

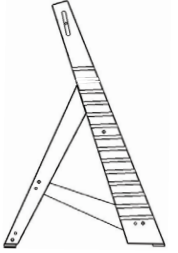
**⚠️WARNING:** The child should be secured in the high chair at all times by the restraining system. The tray is not designed to hold the child in the chair. It is recommended that the chair be used only by children capable of sitting upright unassisted.

- ⚠️WARNING:**
- Always secure child in the restraint
  - Never leave child unattended
  - Always keep child in view
  - Secure straps tightly
  - Never use as a stepping stool
  - The front edge of the footrest should never extend beyond the bottom edge of the front supports at floor level
  - Always use chair on smooth level surface

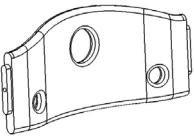
## Parts



Right Side



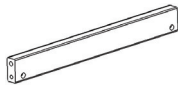
Left Side



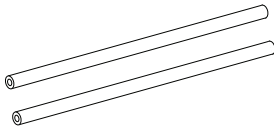
Back



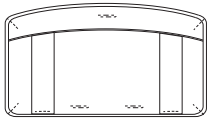
2 Back Supports



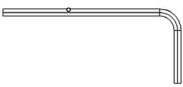
Front Support  
(shorter than back supports)



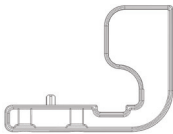
2 Metal Cross Bars



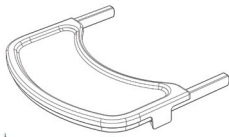
Seat Pad



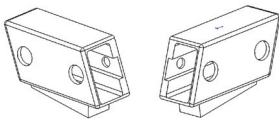
Allen Key



Plastic Crotch Bar



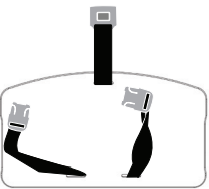
Tray & Plastic Cover



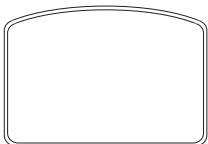
Right + Left Tray Clip



J-Bracket



Seat Plate



Foot Rest



8 pcs.



4 pcs.



5 pcs.



8 pcs.

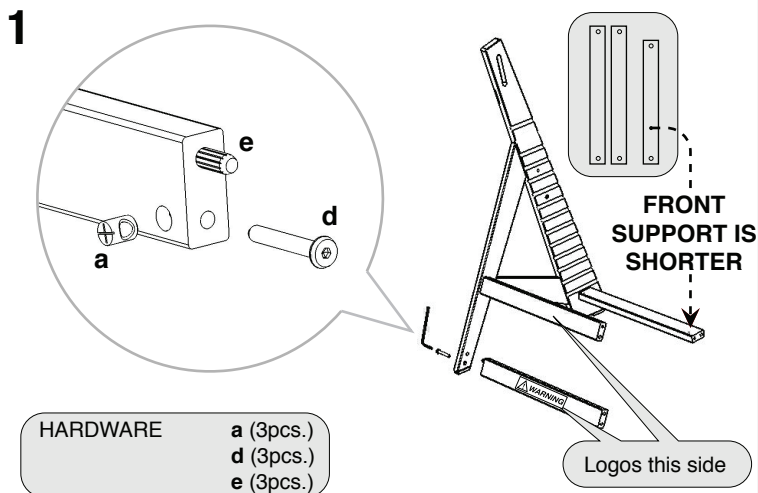


6 pcs.

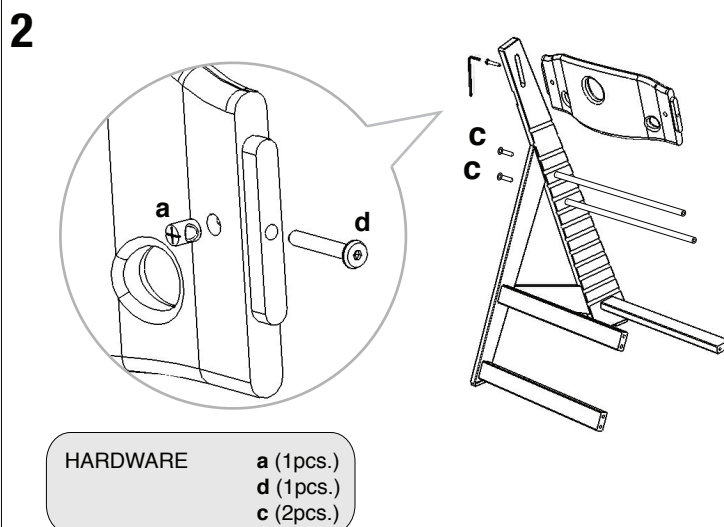


1 pcs.

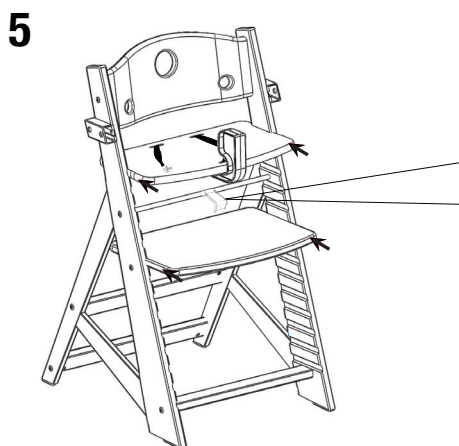
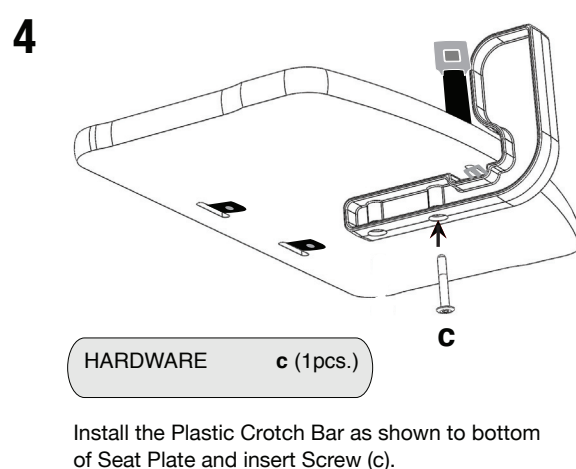
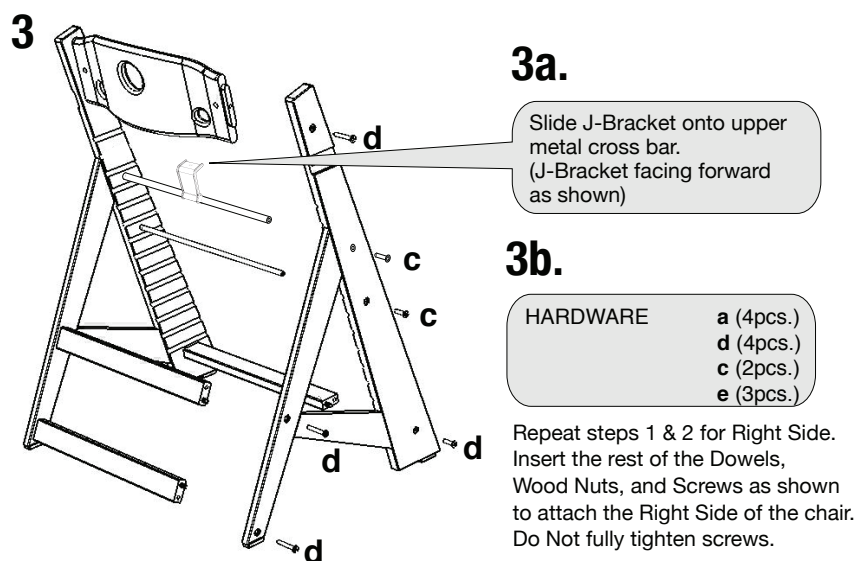
**▲WARNING:** The J-Bracket and Plastic Crotch Bar are ALWAYS required when using the Tray. Seat Plate must be installed in the top slot while using Tray.



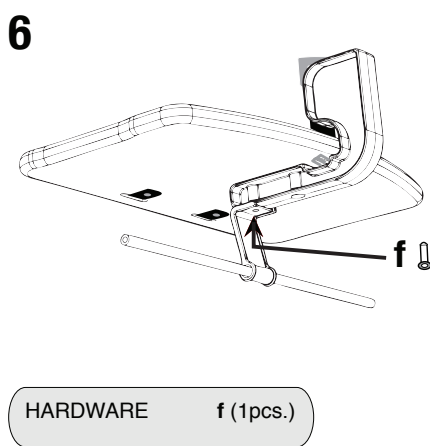
Insert a Wooden Dowel (e) into the larger hole in each of the Back Supports and Front Support. Insert a Wood Nut (a), as shown into the inner holes of the 3 Supports. Attach the 3 Wooden Supports as shown and insert Long Screws (d). Loosely tighten the Long Screws into Wood Nuts through the Left Side with the Allen Key. Labeling on the Rear Supports should be visible.



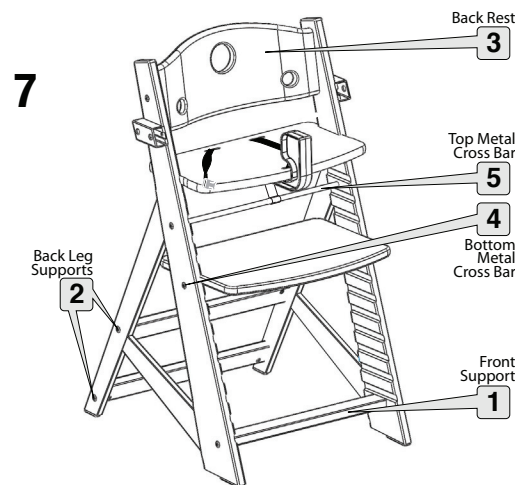
Insert a Wood Nut (a), as shown into the inner holes of the Back. Attach the Seat Back to left leg as shown and insert a Long Screw (d). Attach the 2 Metal Cross Bars as shown and insert Screws (c). Loosely tighten all screws with Allen Key.



Install Seat Plate in top slot and Foot Rest just below top metal cross bar. (See Seat & Footrest Adjustment section)

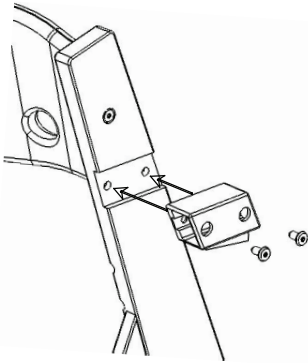


Align J-Bracket with Plastic Crotch Restraint rear bolt hole and insert Screw (f). Tighten both Screws (c) & (f) with the Allen Key.



**TIGHTEN ALL SCREWS (BOTH SIDES) IN ORDER 1-5 \_DO NOT OVER TIGHTEN!**

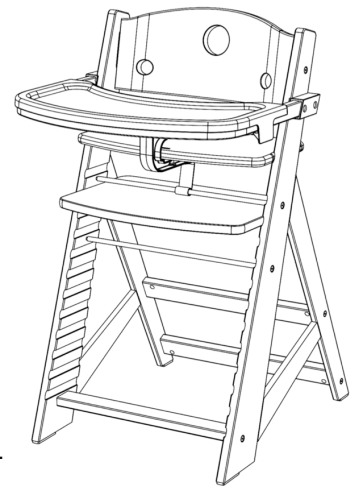
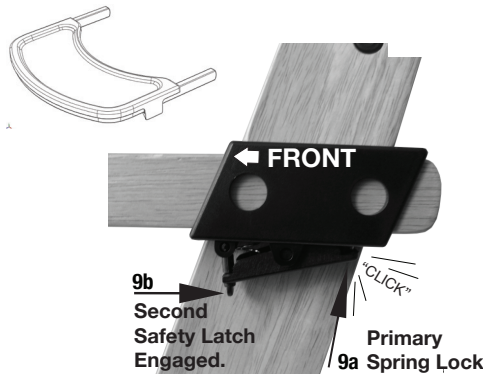
## 8 Tray Clips



HARDWARE\_ b (4pcs.)

Attach the Right Tray Clip as shown above with 2 Small Screws (b). Repeat for Left.

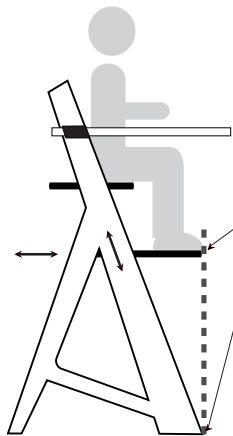
## 9 Tray Installation with Tray Clips



**9a** When Tray is properly installed an audible “click” will be heard from primary lock.

**9b** Engage the second safety Latch Lever by pushing it forward into the primary spring lock.

## Growth Adjustments



### Foot Rest Adjustment

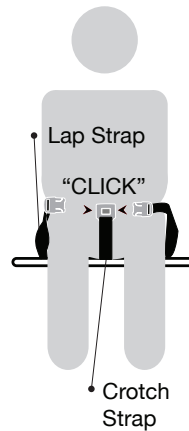
- The foot plate is placed at optimal height when the child’s foot can rest flat on it’s surface.

### Depth

- For safety, the footrest should not exceed the front legs of the chair.

- Tighten all screws.

## 3 Point Belt Operation



- Place child in seat. Crotch strap comes up between child’s legs. Both Lap Straps come around child from center of back and “CLICK” into Crotch Strap. Adjust length of Lap straps to secure child in seat.

- Press center button on Crotch Strap buckle to release child from belt.

### 5 Year Limited Warranty

Bergeron by Design warrants to the original retail purchaser of the Height Right High Chair product, that if any part or component proves defective in material or workmanship within five years of the purchase date, the defective part will be repaired or replaced (at Bergeron by Design’s discretion) free of charge. Warranty service may be performed by an authorized service center or at Bergeron by Design’s discretion.

This warranty does not cover normal wear and tear, or damage caused by accident or misuse.

To exercise this limited warranty, the user should first obtain a Return Authorization Number from Bergeron By Design. The product must be delivered charges pre-paid (UPS recommended) to the factory or to an authorized service center, together with a copy of the original invoice, the Return Authorization Number and a written description of the problem.

### Customer Service

Toll Free: 1-800-994-2416  
International: 1.315.429.8407  
Fax: 1.315.429.8862

Height Right High Chair - Natural  
Model # 0050032KR-0001  
Height Right High Chair - Mahogany  
Model # 0050033KR-0001

### Product Care

Clean chair with damp cloth; then wipe dry. With normal use, over time screws may loosen. Please maintain tight screws. **Use chair on smooth level surface.** Plastic Tray Cover is dishwasher safe. Be sure to wipe dry & NOT trap water between wood & plastic when reinstalling.

### Notice

When restraint system and required components are assembled and used properly this high chair meets U.S. ASTM F-404 safety standard. Use only Height Right High Chair accessories and parts. Height Right High Chair parts are not interchangeable with other manufacturers’ products. Replace any worn parts immediately for safety. © 2012 Bergeron By Design.

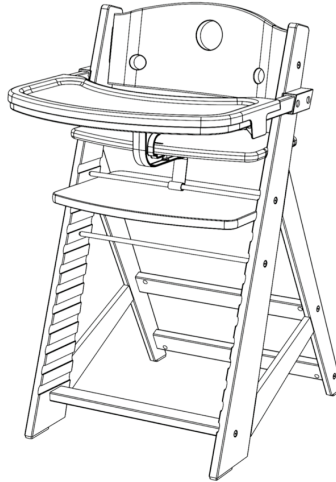


Bergeron By Design • 15 South Second St. Dolgeville, NY 13329 • 1-800-994-2416



# HEIGHT RIGHT™ high chair

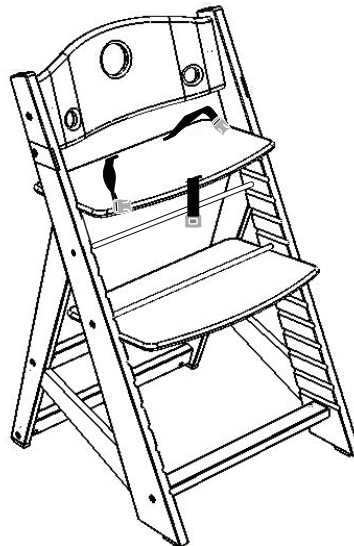
FOR CHILDREN UNDER 3 YEARS OF AGE. ABLE TO SIT INDEPENDENTLY



## CONVERSION TO

# HEIGHT RIGHT™ kids chair

AGES 3 YEARS AND UP



# Height Right Kids Chair

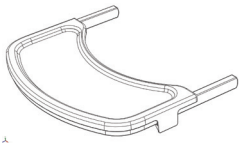
**⚠️WARNING:** The Height Right Kids Chair is a youth chair and is designed for use by children 3 years of age and up.

**⚠️WARNING:** Prevent serious injury or death from falls or sliding out.

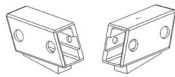
## ⚠️WARNING:

- Always secure child in the restraint
- Never leave child unattended
- Always keep child in view
- Secure straps tightly
- Never use as a stepping stool
- The front edge of the footrest should never extend beyond the bottom edge of the front supports at floor level
- Always use chair on a smooth level surface

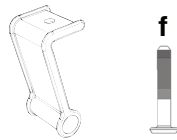
## ⊖ Remove these parts for conversion to kids chair



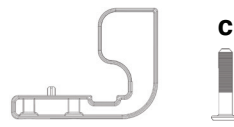
Tray



Right + Left Clip

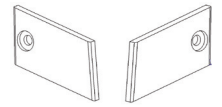


J-Bracket + Bolt



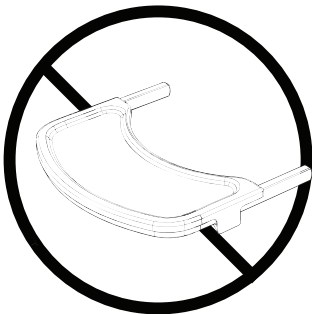
Plastic Crotch Restraint + Bolt

## ⊕ Parts to add



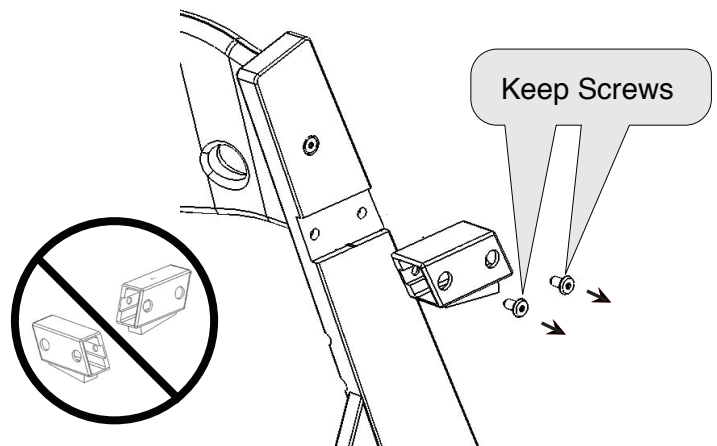
Right + Left Cap

### 1 Remove the tray

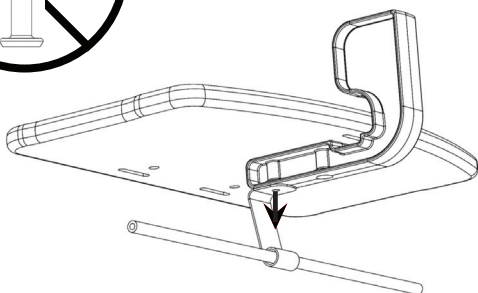
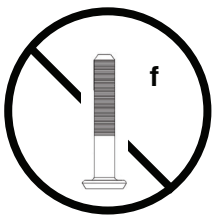


### 2 Remove the tray clips

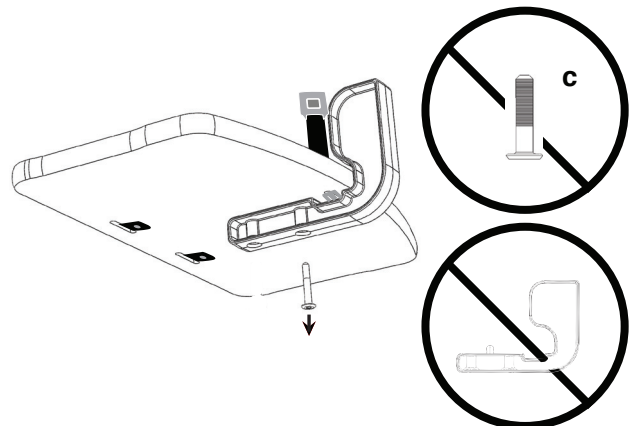
Remove the Right Cap as shown. Repeat for Left.



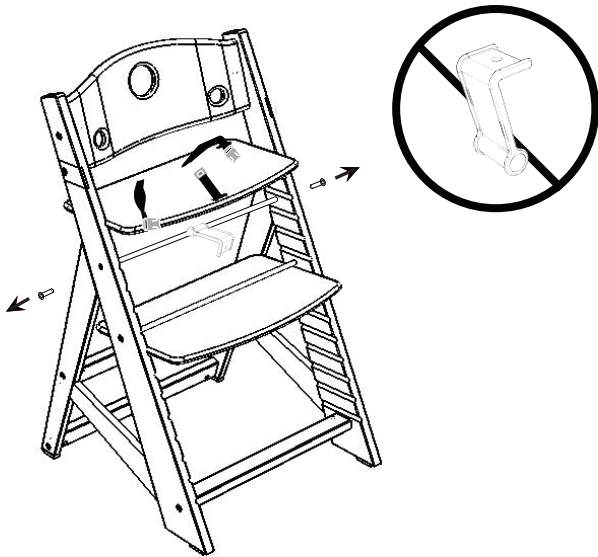
### 3 Unscrew J-Bracket Bolt



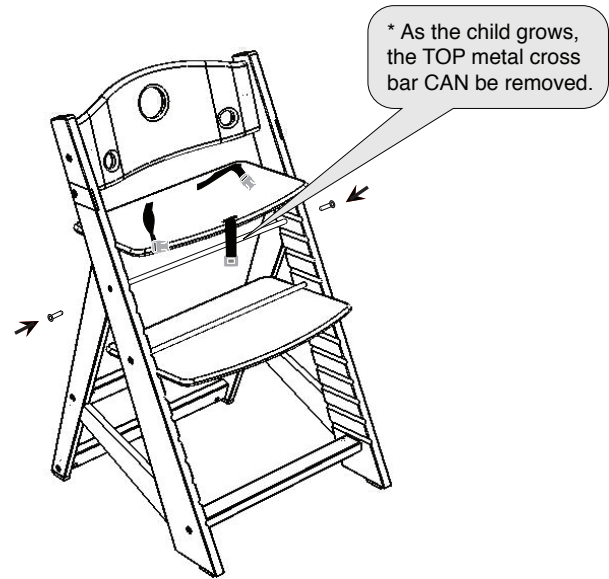
### 4 Unscrew Plastic Crotch Restraint Bolt & remove Plastic Crotch Restraint



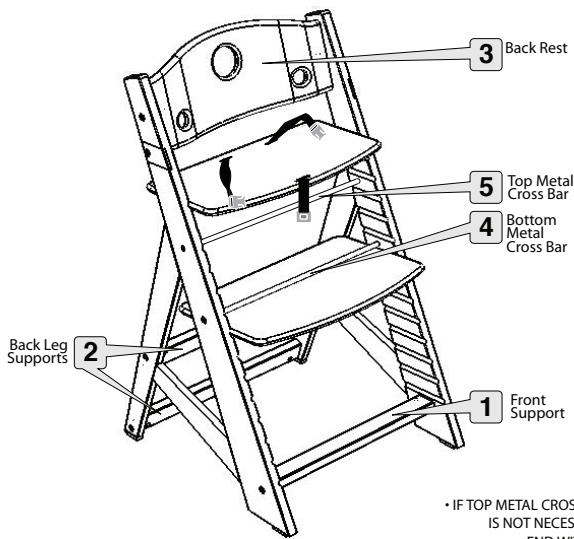
**5** Unscrew top metal crossbar & remove J-Bracket



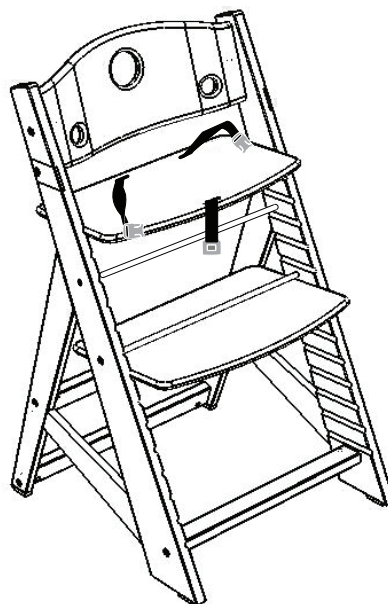
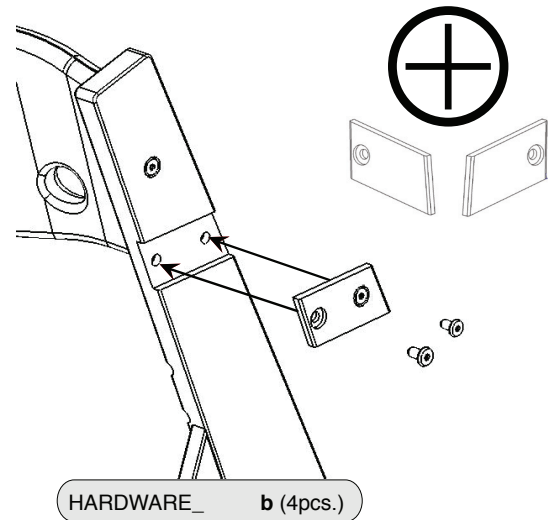
**6** Reinstall top metal cross bar



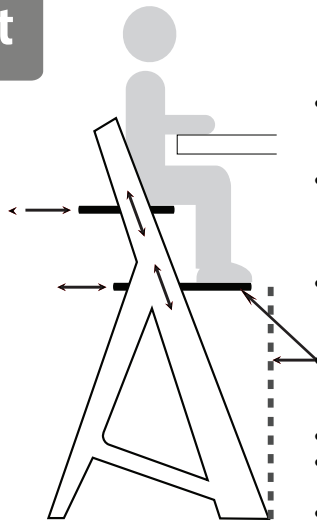
**7**  **TIGHTEN ALL SCREWS (BOTH SIDES) IN ORDER 1-5 \_DO NOT OVER TIGHTEN!**



**8** Attach Black Caps with 2 small Screws from Tray Clips (b). as shown above. Repeat for Left.



## Seat and Foot Adjustment



### Height

- The seat is placed at optimal height when the child's elbows are level with the top of the table.
- The foot plate is placed at optimal height when the child's foot can rest flat on its surface.

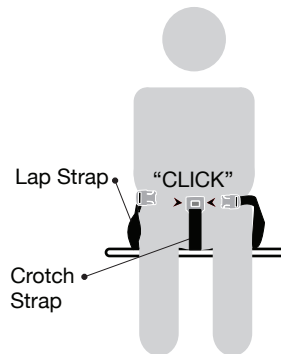
### Depth

- For optimal depth of the seat, position child's back against backrest with seat supporting 3/4 of thigh.
- For safety, the footrest should not exceed the front legs of the chair.

### Teen / Adult Use

- Remove Seat Plate & Top metal cross bar.
- Use the Foot Rest as the Seat Plate for a larger seating surface.
- **Tighten all screws.**

## 3 Point Belt Operation



- Place child in seat. Crotch strap comes up between child's legs. Both Lap Straps come around child from center of back and "CLICK" into Crotch Strap. Adjust length of Lap straps to secure child in seat.
- Press center button on Crotch Strap buckle to release child from belt.

### 5 Year Limited Warranty

Bergeron by Design warrants to the original retail purchaser of the Height Right Chair product, that if any part or component proves defective in material or workmanship within five years of the purchase date, the defective part will be repaired or replaced (at Bergeron by Design's discretion) free of charge. Warranty service may be performed by an authorized service center or at Bergeron by Design's discretion.

This warranty does not cover normal wear and tear, or damage caused by accident or misuse.

To exercise this limited warranty, the user should first obtain a Return Authorization Number from Bergeron By Design. The product must be delivered charges pre-paid (UPS recommended) to the factory or to an authorized service center, together with a copy of the original invoice, the Return Authorization Number and a written description of the problem.

### Customer Service

Toll Free: 1-800-994-2416  
International: 1.315.429.8407  
Fax: 1.315.429.8862

### Product Care

Clean chair with damp cloth; then wipe dry. With normal use, over time screws may loosen. Please maintain tight screws. **Use chair on smooth level surface.**

### Notice

Use only Height Right Chair accessories and parts. Height Right Chair parts are not interchangeable with other manufacturers' products. Replace any worn parts immediately for safety. © 2012 Bergeron By Design.