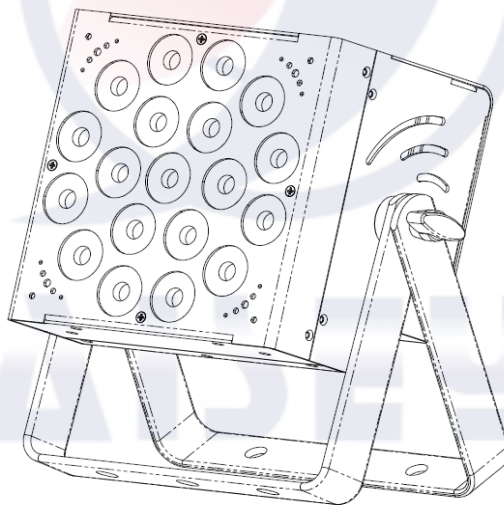

CE RoHS

USER MANUAL

WQ819 ®

(LED-WQ819-19*8W-4 IN 1 DOT MATRIX)



————— Daisy—Professional stage lighting —————

Catalogue

summarization.....	1
safety instruction.....	1
outside size picture.....	2
main function.....	3
DMX control function.....	3
Display operation instruction.....	4
Menu instruction.....	5
Operating control instruction.....	8
XLR connection instruction.....	8
Connecting picture.....	9
Trouble shooting.....	9
Technical specification.....	11

Please read over this manual before operating the light

1. Summarization

➤ **Summarization**

Thank you for purchasing our LED WQ819 lighting. Please read these instructions carefully before begin and operate the fixtures according to these instructions to avoid any possible damages and accidents causes by misuseage.

➤ **Products introduction**

LED WQ818 light uses aluminum shell, designed in a fashion of hydrodynamic form. Appearance shows: long can, short can or short can with color filter. It adopts high power 4-in-1 LED, which refers to single LED is made of R,G,B,W LED, And long life span, low consumption, good color mixing effect and high brightness are the most prominent features. Each kind of LED can be independently dimmed. The built-in program includes dimming, strobe, eotic, gradual change, fading and so on. It uses power switch, performs low weight and consumption, stable capability and long life. International standard DMX 512 signal is requested.

➤ **Packing list**

- LED WQ819 light 1PC
- DMX signal cable 1PC (sold separately)
- The User Manual
- Warranty Card

2. Safety Instruction

➤ **Safety Notes**

! Enquire the skilled people before any repair;

! Always make sure disconnect from the power source before setting up, serving and moving;

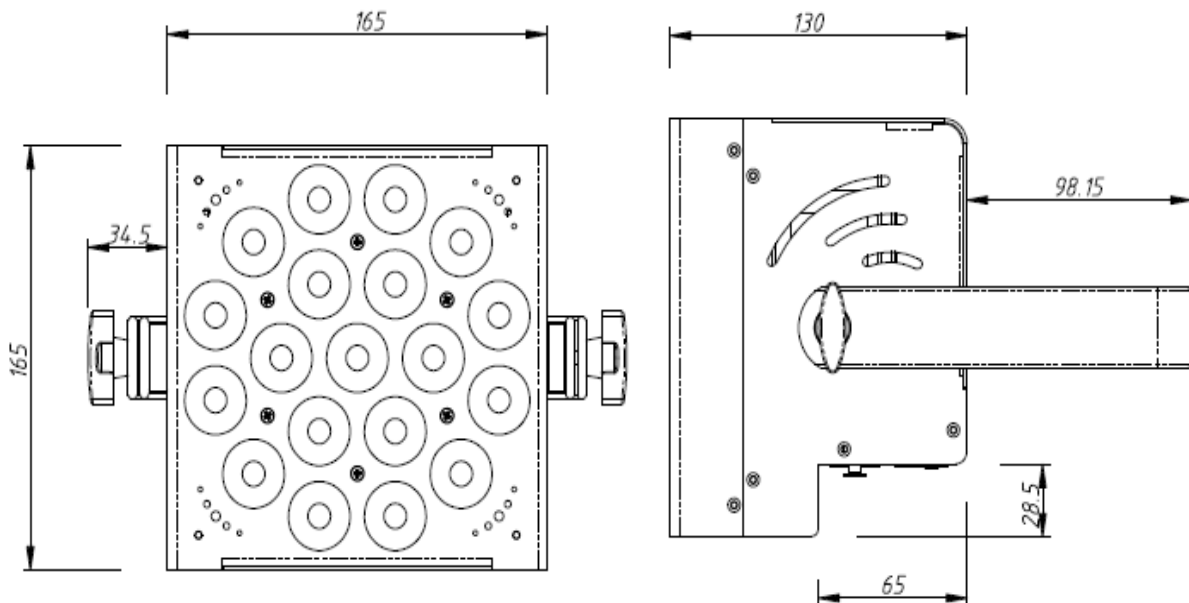
! Avoid direct eye exposure to the fixture when it is on;



➤ **Safety instuction**

- Make sure the power supply voltage are consistent with this lights , Ensure the use of voltage is in the range of the request technical parameter.
- Before the installation, please check the light's fasteners and mechanical structure have been received in good condition and appear no damage.
- This light is designed for indoor use, working temperature is lower than 40 degree.
- The fixtures maybe mounted in any position provided there is adequate room for ventilation. Make sure there are no inflammable and explosive items(ornaments) in 0.5 meters away.
- Yellow / green cabling earthling safety; no flicker when the fixture is working on.

3. Outside picture



4. Main Function

- high quality LED: low consumption, brightness, stable capability and long life
- each color of LED with 256 dimming. RGB can make over 16.7 million colors
- dim 0%-100%, Strobe、gradual change、jumping change
- DMX512 Controller, 4 button set DMX ID address with led display
- auto run /sound activated/master slave/interconnected multi-machine control
- using switching power supply to protect the LED to work well
- lens degree: 15°、25°、45° optional
- 3、4、5、8 CH DMX control channel optional
- body color: black/white, optional

五、DMX 控制功能

➤ **6CH**

Channel	DMX Value	Control Function
1CH	0—255	General dimming 0—100%
2CH	0—255	R 0-100%
3CH	0—255	G 0-100%
4CH	0—255	B 0-100%
5CH	0—255	W 0-100%
6CH	0-255	Strobe speed

➤ **16CH** (分为 3 圈, 分别为 X1,X2,X3)

Channel	DMX Value	Control Function	Priority
1CH	0-255	General dimming 0—100%	
2CH	0-255	R1 0-100%	
3CH	0-255	G1 0-100%	
4CH	0-255	B1 0-100%	
5CH	0-255	W1 0-100%	
6CH	0-255	R2 0-100%	
7CH	0-255	G2 0-100%	

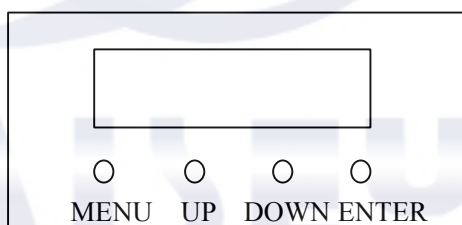
8CH	0-255	B2 0-100%	
9CH	0-255	W2 0-100%	
10CH	0-255	R3 0-100%	
11CH	0-255	G3 0-100%	
12CH	0-255	B3 0-100%	
13CH	0-255	W3 0-100%	
14CH	0-9	no	
	10-255	strobe speed	
15CH	0-14	dimmer	
	15-39	Pattern 0 (when 15, the speed is the slowest, when 39, the speed is the fastest)	
	40-59	Pattern 1	
	60-79	Pattern 2	
	80-99	Pattern 3	
	100-119	Pattern 4	
	120-139	Pattern 5	
	140-159	Pattern 6	
	160-179	Pattern 7	
	180-199	Pattern 8	
	200-219	Pattern 9	
	220-239	Pattern 10	
16CH	0-15	invalid	
	16-255	color graduate, when 255, the speed is the fastest	

➤ **79CH** (单点可控, 分别为 X1---X19)

Channel	DMX Value	Control Function	Priority
1CH	0-255	R1 0—100%	
2CH	0-255	G1 0—100%	
3CH	0-255	B1 0—100%	
4CH	0-255	W1 0—100%	
73CH	0-255	R19 0—100%	
74CH	0-255	G19 0—100%	
75CH	0-255	B19 0—100%	
76CH	0-255	W19 0—100%	

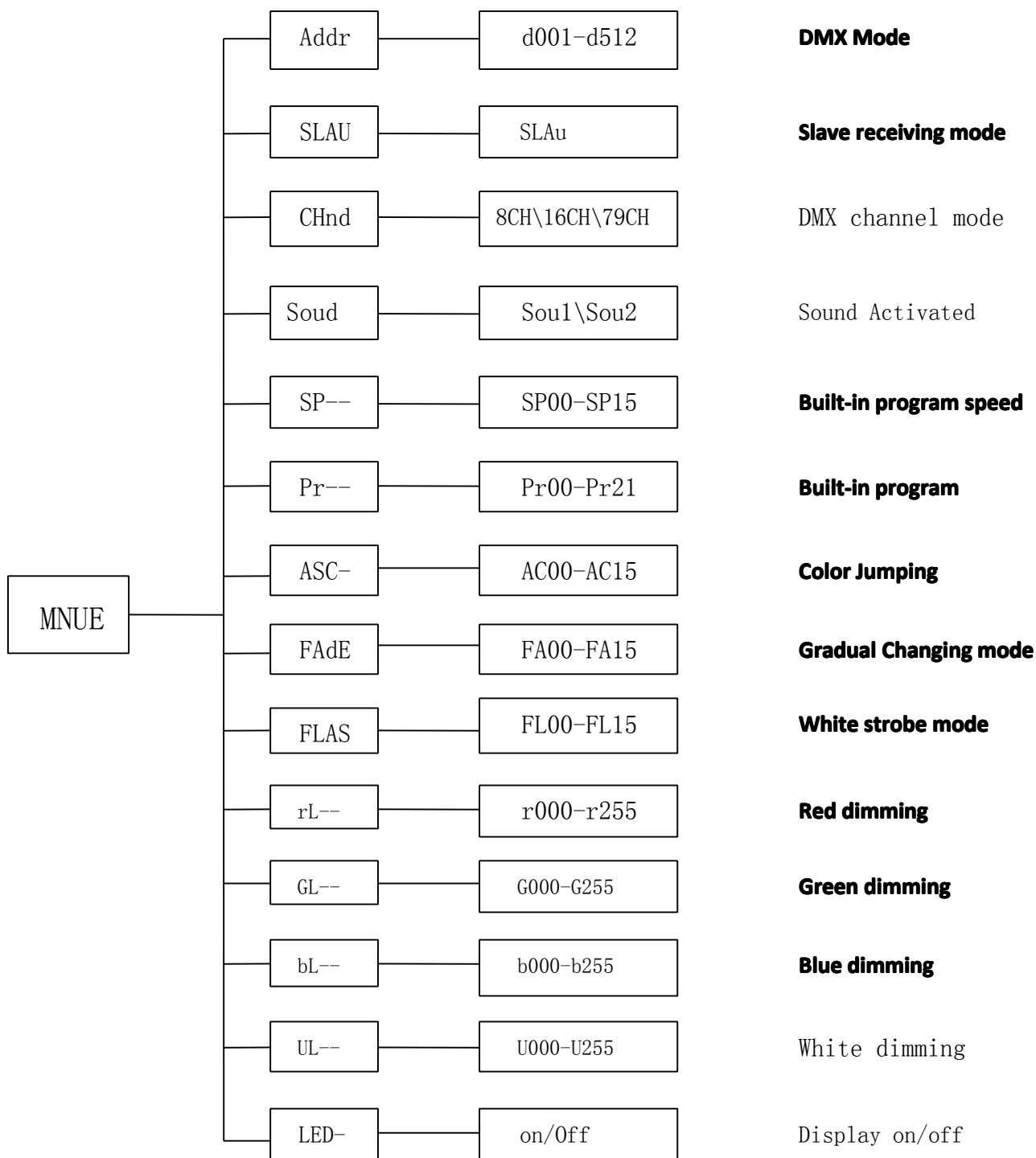
77CH	0-255	Strobe speed	
78CH	0-14	dimmer	
	15-39	Pattern 0 (when 15, the speed is the slowest, when 39, the speed is the fastest)	
	40-59	Pattern 1	
	60-79	Pattern 2	
	80-99	Pattern 3	
	100-119	Pattern 4	
	120-139	Pattern 5	
	140-159	Pattern 6	
	160-179	Pattern 7	
	180-199	Pattern 8	
	200-219	Pattern 9	
	220-239	Pattern 10	
	240-255	Pattern 11	
79CH	0-15	invalid	
	16-255	color graduate, when 255, the speed is the fastest	

6. Display Operation



- MENU : access the menu or return to a previous menu option
- ENTER: select the current menu option
- UP: menu selection or parameter increments
- DOWN: menu selection or parameters decrease

7. Menu Instruction



1. Operating instruction:

MENU (UP/DOWN) +ENTER+UP/DOWN) +ENTER

Remark: Exp: Select the DMX mode, Here are the operation details:

- **Press the MENU**, go back to the initial setting
- **Press UP/DOWN, display "Addr"**
- **Press ENTER to change the content**, the display will glinting at this moment
- **Press UP/DOWN** to change the address code to select A001
- Press ENTER to select and store the current menu options. DMX mode will be

stored automatically and the screen will stop glinting.

- Exp: Select DMX Channels optional mode, the operation is as below:
- **Press MENU**, go back to the initial setting
- **Press UP/DOWN, display "CHnd"**
- **Press ENTER to change the content**, the display will glinting at this moment
- **Press UP/DOWN to select the DMX channels that you need, 8CH、 16CH、 79CH and so on.**
- **Press ENTER** select and store the current menu options. DMX mode will be

stored automatically and the screen will stop glinting.

Exp: Close the display, the operation is as below:

- **Press MENU**, go back to the initial setting
- **Press UP/DOWN, display "LED"**
- **Press ENTER to change the content**, the display will glinting at this moment
- **Press UP/DOWN to select "OFF"**
- **Press ENTER to confirm, the select the working mode that you need. When stop pressing, the display will shut after a while. When the display is closed, press any button to activate the display. If setting the led to "off", when stop pressing, the display will shut after a while.**

2. Build-in Program

Pr00: dynamic progrm0

Pr01: dynamic progrm1

Pr02: dynamic progrm2

Pr03: dynamic progrm3

Pr04: dynamic progrm4

Pr05: dynamic progrm5

Pr06: dynamic progrm6

Pr07: dynamic progrm7

Pr08: dynamic progrm8

Pr09: dynamic progrm9

Pr10: dynamic progrm10

Pr11: dynamic progrm1

Pr12: dynamic progrm12 (Pr00-Pr11)

Pr13-Pr21: RGBW static color

Remark: Pr00----- Pr12 change the content of SP--, change the speed of the color jumping. SP00 is the fastest, SP15 is the slowest.

➤ **Operating Control Instruction**

➤ **Master/Slave**

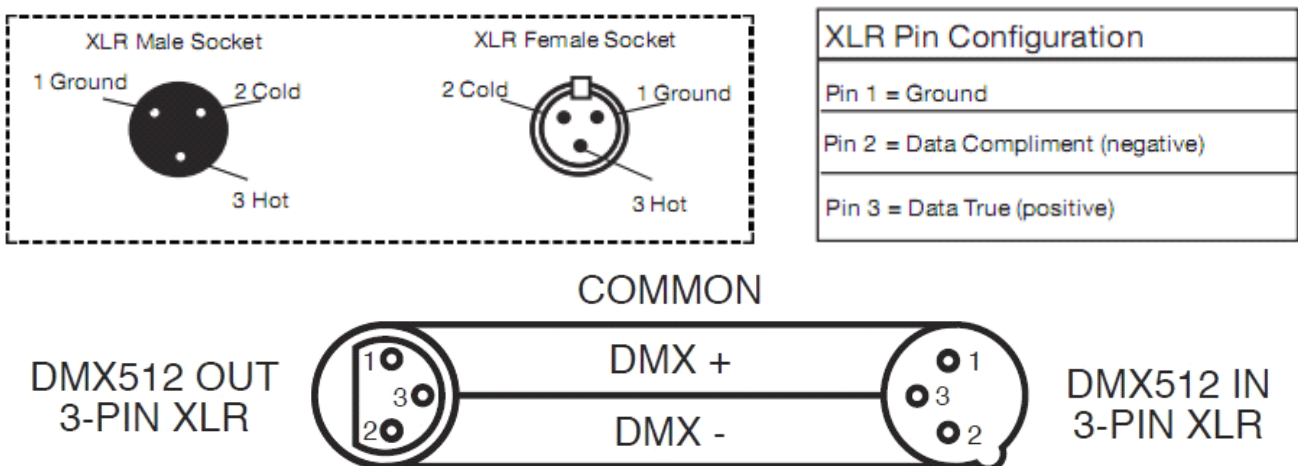
Master: The master should always working as a master as long as it is not set in a DMX mode whatever other modes it is. And it send out the signal so that the slave synchronous with it. To avoid the host signal and DMX512 signals interfere with each other, should cut off the DMX512 signals. The signal lines are longer than 60 meters(20 lamps) ,should increase a signal amplifier.

Slave: he Slave must be set in DMX mode and the address code should be A001, to assure receive the master’s signals correctly. Only one light can be set as a Master and others are slaves.

9. XLR cable connecting

信号线的配置:

The standard connection way of the XLR is: one end connect to the male plug ,and the other connect to the female.As bellow:pin 1:ground,pin 2: negative signal,pin 3: positive signal



Noted: In order to avoid failures and interference signal transmission, we connect a

resistance 120Ω ($1/4W$) at the end of the DMX connecting as below:



Termination reduces signal errors and avoids signal transmission problems and interference. It is always advisable to connect a DMX terminal, (Resistance $120\text{ Ohm } 1/4\text{ W}$) between PIN 2 (DMX-) and PIN 3 (DMX +) of the last fixture.

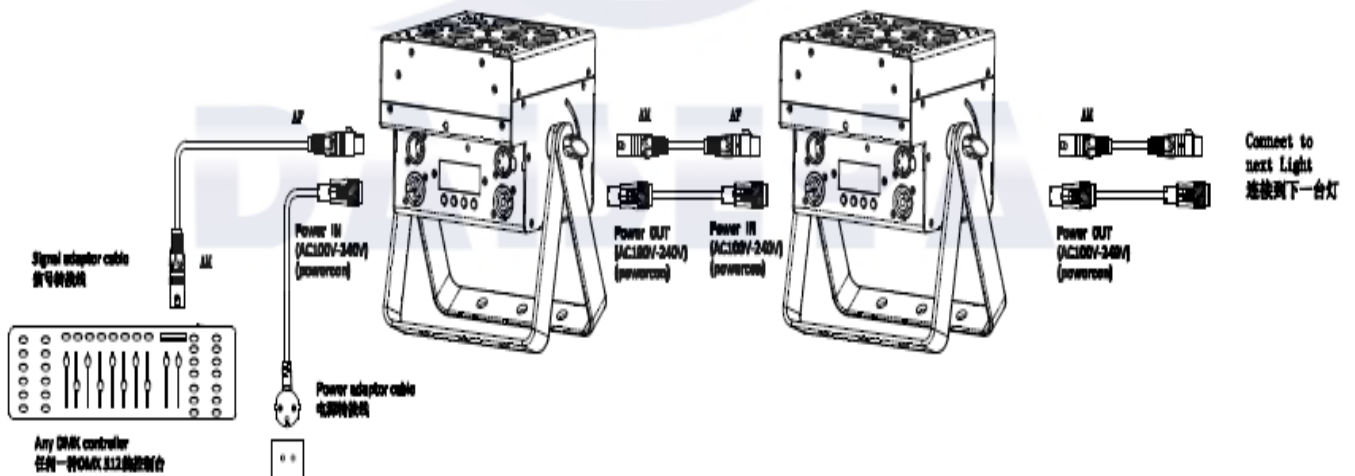
➤ The Conversion between 3 pin and 5 pin XLR

If the output cable of DMX512 controller is the 5PIN, please use 1pc 5PIN to 3PIN cable

3-Pin XLR to 5-Pin XLR Conversion		
Conductor	3-Pin XLR Female (Out)	5-Pin XLR Male (In)
Ground/Shield	Pin 1	Pin 1
Data Compliment (- signal)	Pin 2	Pin 2
Data True (+ signal)	Pin 3	Pin 3
Not Used		Do Not Use
Not Used		Do Not Use

10. Connecting picture

➤ Light connecting picture:



11. Trouble Shooting

Problem	Checking Way
Can not turn on the light	<ul style="list-style-type: none"> ◆ Check the power source plug is in normal or not ◆ Check the switch of the lights is off or on ◆ Check the fuse if in normal
DMX can not control it	<ul style="list-style-type: none"> ◆ Check the DMX cable is connect to the lights or not ◆ Check the DMX512 controller work in normal or not ◆ Check the DMX cable is normal or not ◆ Check if the lights is in DMX mode (A001)
Display not bright	<ul style="list-style-type: none"> ◆ When connect to the electricity, did the led flash one time? If so, the power source is normal; If not, please check if the switch and the transformer has power out ◆ Check if the power input of the IC board is normal ◆ Check if the cable connect to the display loose ◆ Change the main board to see if it is normal. ◆ Chang the display
LED not light	<ul style="list-style-type: none"> ◆ When connect to the electricity, did the led flash one time? If so, the power source is normal; If not, please check if the switch and the transformer has power out ◆ Check if the power input of the IC board is normal

	<ul style="list-style-type: none"> ◆ Check if the cable connect to the display loose ◆ Change the main board to see if it is normal. ◆ Chang the display
Some of the LED not light	<ul style="list-style-type: none"> ◆ LED is connected by leds in series first, then connect parallel, so please check if the leds is loose ◆ Use the multimeter to check if the led is bright or not, of not, please change the led ◆ check whether current limiting resistor is normal or not ◆ Check constant current IC is normal or not (compared with the normal IC)
Single color leds always bright/not bright	<ul style="list-style-type: none"> ◆ Check the switch of this color is normal or not ◆ Change the IC control board

Noted: only professional persons can do as above !

12. Technical Specification

- Input voltage:AC 100V-264V/47-63HZ
- Output voltage:DC24V
- Consume:160W
- Lamp Type:High Power LED(8W)
- Lamp Spec:4-in-1 8W(19PCS)
- Life span: 50000~100000hours
- Constant current driver:500MA
- PWM Dimmer:» 400HZ(6666 steps)
- Control Signal: DMX512, sound activeted,auto run
- Control mode: stand alone/ sound activeted
- Channel: **8CH、16CH、79CH**

- Color effect: RGBW mixing
- Function Effect: dimmer, strobe, eotic, gradual change, sound activated
- Cooling mode: Natural Convection
- Beam Angle: 15°, 25°, 45°
- Anti-electricity intension: 1.5KV
- Insulation Resistance: > 2 MΩ
- Size: 234*165*228mm
- Net Weight 4.1 Kg