

Wall mounted single color DMX512 Master

SR-2202T1(US)



- 2 zone
- Touch sensitive
- Glass interface
- Back lighting for finding in the dark
- Italian/ Australian, US wall mounted size available as well.

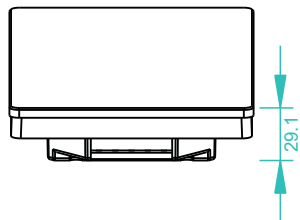
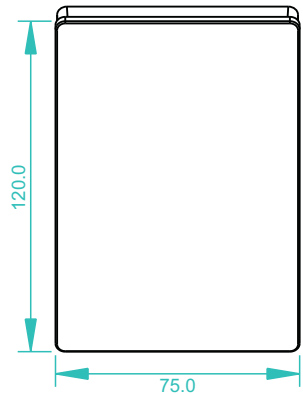


Parameter

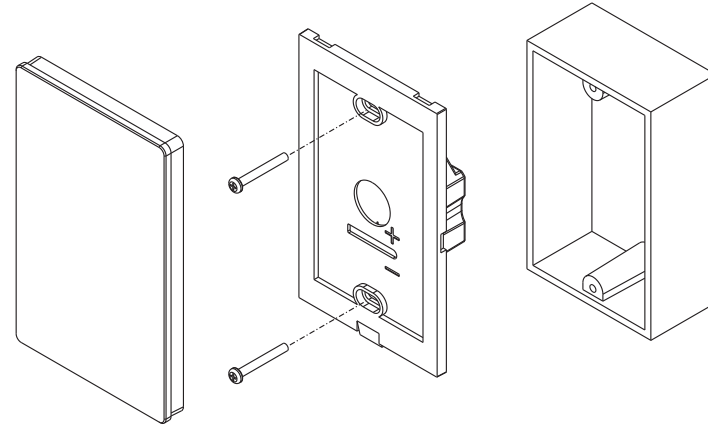
Remote

Part No.	Operation Voltage	Output	Dimensions (mm)
SR-2202T1(US)	12-24VDC	DMX512 Signal	75x120x29.1

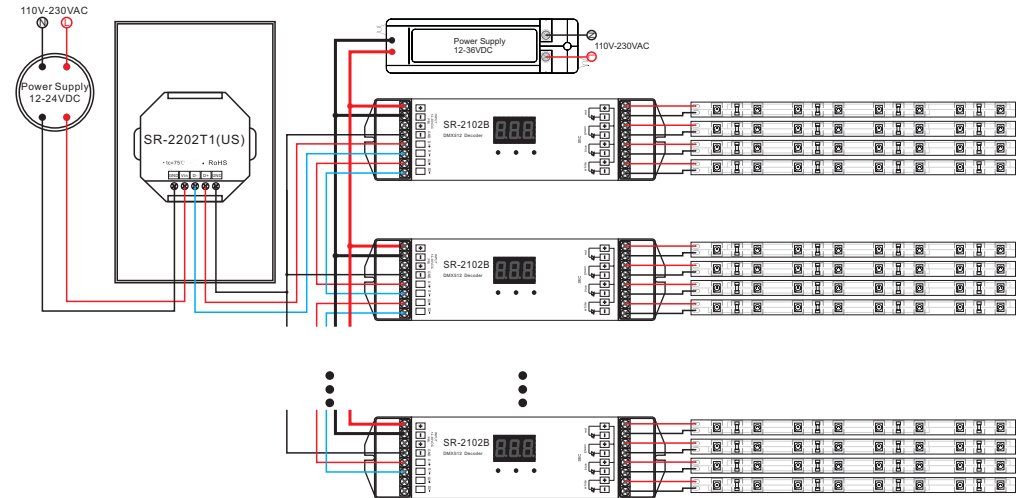
Product Size



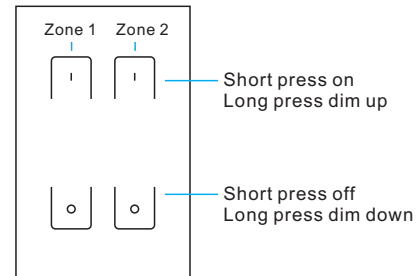
Installation



Wiring diagram



Operation



After connect well with DMX decoders, please set the DMX decoders address as below:
DMX decoder's address 001 is controlled by Zone 1
DMX decoder's address 005 is controlled by Zone 2

Safety & Warnings

- 1) The product shall be installed and serviced by a qualified person.
- 2) IP20. Please avoid the sun and rain. When installed outdoors, please ensure it is mounted in a water proof enclosure.
- 3) Always be sure to mount this unit in an area with proper ventilation to avoid overheating.
- 4) Please check if the output voltage of any LED power supplies used comply with the working voltage of the product.
- 5) Never connect any cables while power is on and always assure correct connections to avoid short circuits before switching on.
- 6) Please ensure that the cable is secured tightly in the connector
- 7) For update information please consult your supplier.

Warranty Agreement

- 1) We provide lifelong technical assistance with this product:
 - 5-year warranty. We print date on every products, for example :1125 means year 2011, week 25. The warranty is for free repair or replacement and covers manufacturing faults only.
 - For faults beyond the 3-year warranty we reserve the right to charge for time and parts.
- 2) Limited Warranty
 - Any defects caused by wrong operation.
 - Any damages caused by unauthorized removal, maintenance, modifying, incorrect connection and replacement of chips.
 - Any damages due to transportation, vibration etc. after purchase.
 - Any damages caused by earthquake, fire, lightning, pollution and abnormal voltage.
 - Any damages caused by negligence, inappropriate storing at high temperatures and humidity or near harmful chemicals.
 - Product has been updated
- 3) Repair or replacement as provided under this warranty is the exclusive remedy to the customer.