

# DL1A and CBD4, CBD5, CBD6 systems



To learn more about LINAK please visit:  
[WWW.LINAK.COM](http://WWW.LINAK.COM)



# Contents

<b>Preface</b> .....	4
<b>Important information</b> .....	5
<b>Safety instructions</b> .....	5
<b>Before installation, re-installation or troubleshooting</b> .....	5
<b>Before start-up</b> .....	5
<b>During operation</b> .....	6
<b>Repairs</b> .....	6
<b>Manufacturer's declaration</b> .....	6
<b>Misc. on the DESKLINE® DL1A system</b> .....	7
<b>Warranty</b> .....	7
<b>Maintenance</b> .....	7
<b>Description of the DESKLINE® DL1A system</b> .....	8
Mounting guidelines for the DESKLINE® DL1A .....	9
Mounting guidelines CBD4/CBD5/CBD6 .....	11
Electrical connection of the DL1A system .....	12
Initialisation of the DESKLINE® DL1A parallel systems .....	13
<b>Accessories and repair</b> .....	14
<b>Disposal of LINAK's products</b> .....	15
<b>Labels</b> .....	17
<b>Drawing appendix</b> .....	18
<b>Addresses</b> .....	24

## **Preface**

We are delighted that you have chosen a product from LINAK A/S. LINAK systems are high-tech products based on many years of experience in the manufacture and development of actuators, electric control boxes, controls, and chargers.

We are also constantly improving our products to meet customer requirements.

This User Manual will tell you how to install, use and maintain your LINAK DESKLINE® products.

We are sure that the DESKLINE® products will give you many years of problem-free operation. Before our products leave the factory they undergo full function and quality testing. Should you nevertheless experience problems with your systems, you are always welcome to contact our service departments or service centres.

LINAK subsidiaries and distributors all over the world have authorised service centres, which are always ready to help you.

LINAK provides a warranty on all its products. This warranty, however, is subject to correct use in accordance with the specifications, maintenance being done correctly and any repairs being carried out at a service centre, which is authorised to repair LINAK products.

Changes in installation and use of LINAK systems can affect their operation and durability. Changes must therefore only be made by agreement with LINAK A/S and are made at your own risk.

## **LINAK A/S**

## Important information

Important information on LINAK® products can be found under the following headings:



### Warning!

Failure to comply with these instructions may result in accidents involving serious personal injury.



Failing to follow these instructions can result in the product being damaged or being destroyed.

---

## Safety instruction

### General

Safe use of the system is possible only when the operating instructions are read completely and the instructions contained are strictly observed.

Failure to comply with instructions marked with the "NOTE" symbol may result in serious damage to the system or one of its components.



It is important for everyone who is to connect, install, or use the systems to have the necessary information and access to this User Manual. Follow the instructions for mounting – risk of injury if these instructions are not followed.



The appliance is not intended for use by young children or infirm persons without supervision.



If there is visible damage on the product it must not be installed.



Note that during construction of applications, in which the actuator is to be fitted, there must be no possibility of personal injury, for example the squeezing of fingers or arms.



Assure free space for movement of application in both directions to avoid blockade.

## **Before installation, re-installation, or troubleshooting:**

- Stop the DL1A
- Switch off the power supply and pull out the mains plug.
- Relieve the DL1A of any loads, which may be released during the work.

## **Before start-up:**

- Make sure that the system has been installed as instructed in this User Manual.
- Make sure that the voltage of the control box is correct before the system is connected to the mains.
- System connection. The individual parts must be connected before the control box is connected to the mains. See the User Manual for LINAK actuators, if necessary.

## **During operation**

- If the control box makes unusual noises or smells, switch off the mains voltage immediately.
- Take care that the cables are not damaged.
- Unplug the mains cable on mobile equipment before it is moved.
- The products must only be used in an environment, that corresponds to their IP protection.

## **Misc.**

The actuator system has a sound level below 55dB(A) in typical applications.

Updated manuals and declarations can always be found here:  
[www.linak.com/deskline](http://www.linak.com/deskline)

### **Only for EU markets**



This appliance can be used by children aged from 8 years and above and persons with reduced physical, sensory or mental capabilities or lack of experience and knowledge if they have given supervision or instruction concerning use of the appliance in a safe way and understand the hazards involved.



Children shall not play with the appliance. Cleaning and user maintenance shall not be made by children without supervision.

### **Only for Non EU markets**



Persons who do not have the necessary experience or knowledge of the product/products must not use the product/products. Besides, persons with reduced physical, sensory or mental abilities must not use the product/products, unless they are under surveillance or they have been thoroughly instructed in the use of the apparatus by a person who is responsible for the safety of these persons.



Moreover, children must be under surveillance to ensure that they do not play with the product.



It is the operator's responsibility to ensure that there is free space for the application to move without risk for the operator or bystanders before operating the application.

### **Misuse**



Do not overload the actuators – this can cause danger of personal injury and damage to the system.



Do not use the actuator system for lifting persons. Do not sit or stand on a table while operating – risk of personal injury.



Do not use the system in environments other than the intended indoor use

## Repairs

In order to avoid the risk of malfunction, all DESKLINE® repairs must only be carried out by authorised LINAK workshops or repairers, as special tools must be used and special gaskets must be fitted. Lifting units under warranty must also be returned to authorised LINAK workshops.



### Warning!

If any of the DESKLINE® products are opened, there will be a risk of subsequent malfunction.



### Warning!

The DESKLINE® systems do not withstand cutting oil.

---

#### DECLARATION OF INCORPORATION OF PARTLY COMPLETED MACHINERY

LINAK A/S  
Smedevænget 8  
DK - 6430 Nordborg

Name and address of the person authorized to compile the relevant technical documentation:  
John Kling, Group Headquarters, Guderup, DK-6430 Nordborg, email jkl@linak.com

Herewith declares that LINAK Actuators and Actuator Systems comply with the following parts of the Machinery Directive 2006/42/EC, ANNEX I, *Essential health and safety requirements relating to the design and construction of machinery*:

1.5.1 Electricity supply: *Directive 2006/95/EC on the harmonization of the laws of Member States relating to electrical equipment designed for use within certain voltage limits.*

1.5.10 Radiation, 1.5.11 External radiation: *Directive 2004/108/EC on the approximation of the laws of the Member States relating to electromagnetic compatibility.*

The relevant technical documentation is compiled in accordance with part B of Annex VII and that this documentation or part hereof will be transmitted by post or electronically to a reasoned request by the national authorities.

**This partly completed machinery must not be put into service until the final machinery into which it is to be incorporated has been declared in conformity with the provisions of this Directive, where appropriate.**

Date: 2010-01-01

Signature:

John Kling  
Certification and Regulatory Affairs



## Misc. on the DESKLINE® DL1A system

This system is a DESKLINE system developed for desks and for indoor use in offices. Do not use it in industrial kitchens or in other environments that have to be cleaned with aggressive detergents. Do not bolt the legs to the floor so that free movement is prevented. This could cause serious damage to the legs in fault situations.

### Warranty

There is a 36 months' warranty on the DESKLINE products against manufacturing faults from the production date of the individual products (see label).

LINAK A/S' warranty is only valid in so far as the equipment has been used and maintained correctly and has not been tampered with. Furthermore, the system must not be exposed to violent treatment. In the event of this, the warranty will be ineffective/invalid. For further details, please see LINAK A/S ordinary conditions of sale.

### Maintenance

Clean dust and dirt on the outside of the system at appropriate intervals and inspect them for damage and breaks.

Inspect the connections, cables, and plugs and check for correct functioning as well as fixing points.

### Service of double-insulated products:



**Class II**

A Class II or **double insulated** electrical appliance is one which has been designed in such a way that it does not require a safety connection to electrical earth (US: ground).

The basic requirement is that no single failure can result in dangerous voltage becoming exposed so that it might cause an electric shock and that this is achieved without relying on an earthed metal casing. This is usually achieved at least in part by having two layers of insulating material surrounding live parts or by using reinforced insulation.

There is no earthing/grounding means provided on the product, and no earthing/grounding means is to be added to the product.

In Europe, a double insulated appliance must be labelled "Class II", "double insulated" or bear the double insulation symbol (a square inside another square).

Servicing a double-insulated product requires extreme care and knowledge of the system, and is to be done only by qualified service personnel. Replacement parts for a double-insulated product must be identical to the parts they replace.



**The cleaners and disinfectants must not be highly alkaline or acidic (pH value 6-8).**

## Description of the DESKLINE® DL1A system

Each DESKLINE® DL1A actuator is equipped with a motor and parallel/memory drive is ensured by means of software in the CBD4/CBD5/CBD6 that also takes account of oblique load on the desk. Soft start and stop are also part of this software, which ensures a soft start and stop when adjusting the desk.

### The DESKLINE® DL1A system range contains the following products:

- 1 control box CBD4/CBD5/CBD6
- 1 single DL1A or 2, 3, or 4 parallel
- 1 exchangeable mains cable
- 1, 2, 3, or 4 motor cables
- 1 DP1U/DPF1M (if memory function is required) DP1C/WDPL/DPT/DPF1C (if memory function and display is required) or 1 DPA/DPB/DP1K/DP1V/DPF1K (if only up/down is required.)

### Options:

- Possibility of running extra actuators (LA31 with hall)

### Application of the DESKLINE® DL1A system:

Irrespective of the load the **duty cycle 10% ~ 6 min./ hour or max. 2 min. at continuous use** stated in the data sheets, must **NOT** be exceeded as this will result in a superheating of the motor, the brake and the spindle nut. Exceeding the duty cycle will result in a dramatic reduction of the life of the system.

Maximum load for each DL1A: 1600 N

Maximum load for a system with CBD4 400 W: 3200 N

Maximum load for a system with CBD4 600 W: 4800 N

Maximum load for a system with CBD5 500 W: 3200 N

Maximum load for a system with CBD6 375 W: 2400 N

## Mounting guidelines for the DESKLINE DL1A



The lifting units are normally mounted with the motor housings upwards and pointing towards each other (see figure 2).

The aluminium motor housing is supplied with 6 pcs. of M6 threaded holes meant for mounting on the desk frame. The threaded holes are rolled into the aluminium housing.

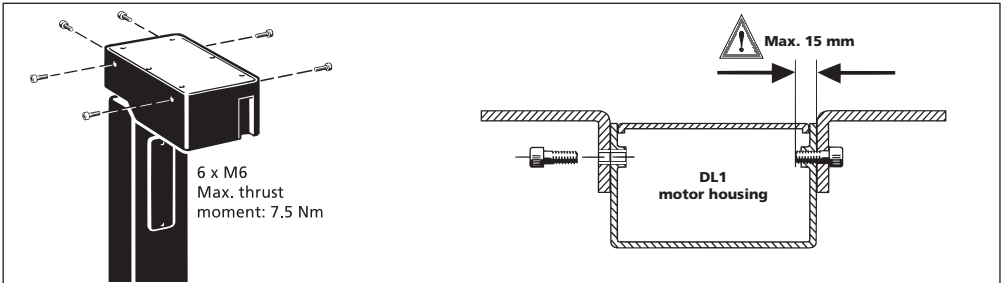


Figure 1



It is recommended to use all 6 M6 threaded holes. As the tabletop amplifies the sound we advise you to place a vibration/shockabsorbing material between the tabletop and the table frame.

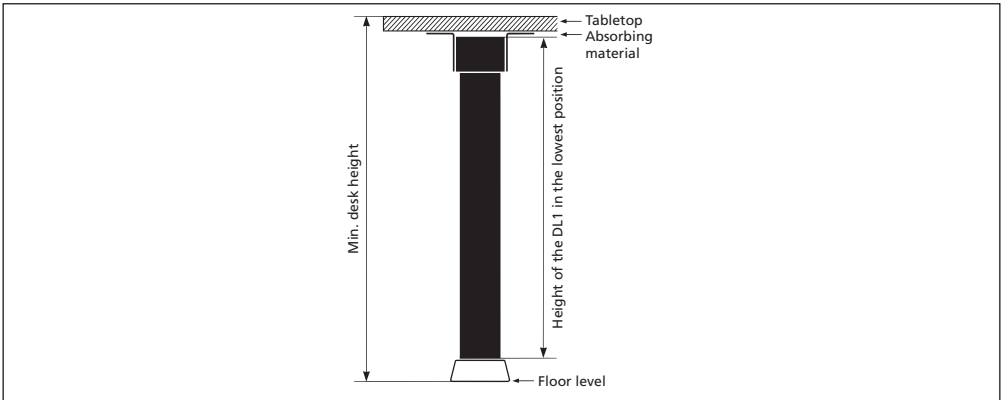


Figure 2

A suitable desk height in the lowest position can be obtained by mounting the lifting unit on a 6-8 mm bottom plate by means of 4 pcs. of M6 countersunk screws. We recommend you to use screws of min. quality 8.8. The thrust moment must not exceed 10 Nm in the bottom plate thread.

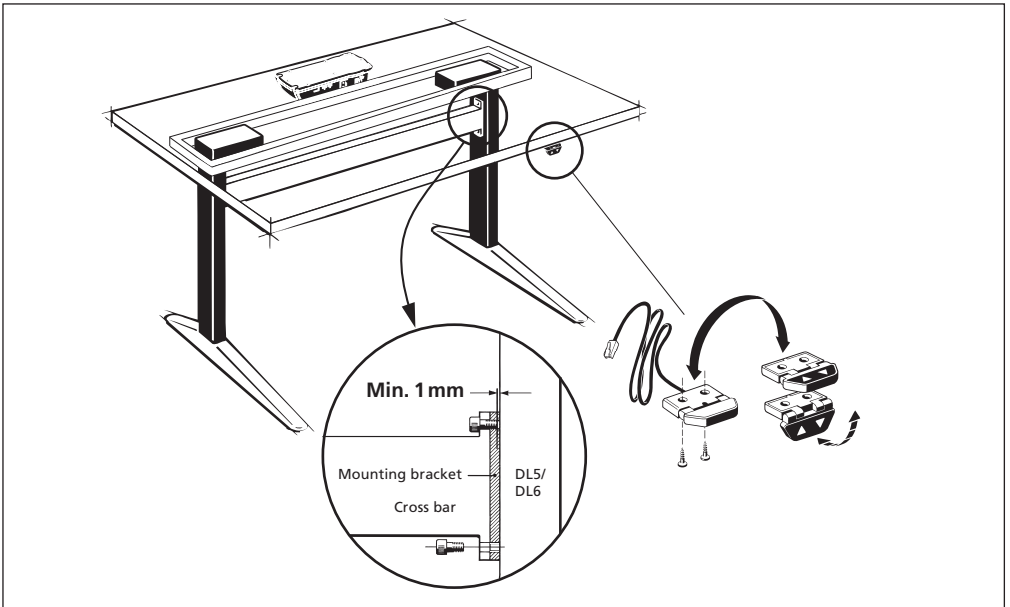


Figure 3  
 (Example of how to mount a 2 parallel DESKLINE® DL1A system)



To avoid damage of the lifting unit there must be min. 1 mm space between the end of the screw for the mounting bracket and the surface of the lifting unit (see figure 1). The use of any longer screws will come into contact with the inner parts. This will result in an irregular operation or even damage the lifting unit.



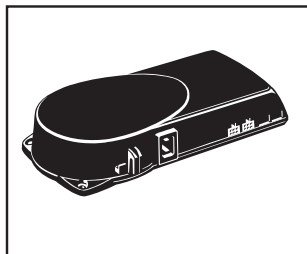
The DESKLINE® DL1A system can only be used in push applications with the motor housing mounted upwards.



Placement of a monitor directly above the motor housing may cause malfunction of the monitor. Magnets inside the motor may interrupt the picture on the monitor depending on the distance and type of monitor. If this is the case the problem may be solved by placing an iron plate/tube or another magnetic material, somewhat larger than the motor housing, between the motor, and the tabletop.

## Mounting guidelines CBD4/CBD5/CBD6

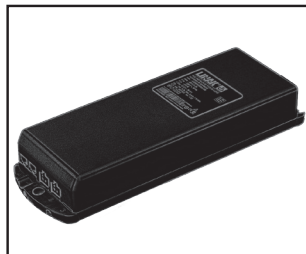
The control box is to be fastened with 4 screws (3 screws for CBD5 and CBD6) with a head diameter between  $\varnothing 8$  and  $\varnothing 10$  mm. Out of regard for the tension surface  $\varnothing 10$  mm is preferable. See drawing appendix for placing of mounting holes and the space the CBD takes up.



*CBD4 - Control box*



*CBD5 - Control box*



*CBD6 - Control box*

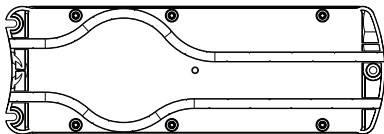
The CBD must not be packed in heat insulating material, but must be placed so that it can emit waste heat into the surroundings. There are no ventilation holes to consider, the CBD emits heat through the surface. The plug must be visible when the CBD is mounted so that the supply to the CBD can be disconnected at replacement, if any.

The mounting screws on the control box must be fastened with a max. torque of 1 Nm.

The mounting surface to which the control box is attached should have a surface evenness of better than  $\pm 0,5$  mm.

### **CBD6 - bottom with cable grooves**

The bottom of CBD6 is equipped with two cable grooves improving the cable management when mounting. The grooves can be used to bypass the CBD for both motorcables and the mains cable (EU version only) from one side to the other, giving a cleaner design.



Remember to lead the cables through the grooves before mounting the control box.

**For mounting and operation of the desk panel, please see the separate user manual for desk panels.**

## Electrical connection of the DL1A system

The DESKLINE® DL5/DL6 system is to be connected as shown on figure 4. Each DL5/DL6 is to be connected to the sockets on the control box by means of the motor cables, which have an 6-pin plug in each end.

Finally, the mains cable is to be mounted and power switched on.



Please note that the control box must only be connected to the voltage stated on the label.

### **CBD4/CBD5/CBD6 with earth**

The CBD4/CBD5/CBD6 earth cable to be mounted on the desk construction (typically the top frame) in a way that ensures good electrical contact. The function of the earth cable is to earth the desk and ground static electricity. The earth connection does not protect other electrical products.



### **CBD4/CBD5 with mains cut-off (non ZERO models)**

If the power cable is damaged it has to be replaced by an authorized LINAK service centre to avoid any danger.

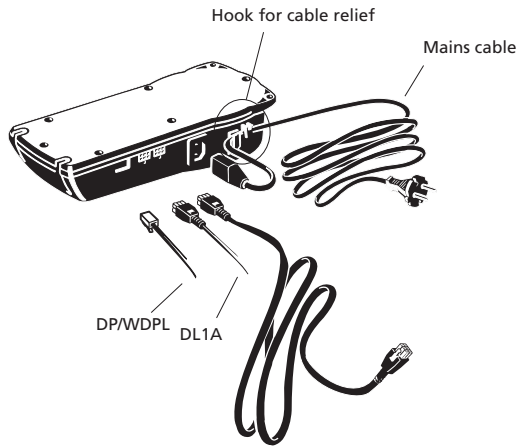
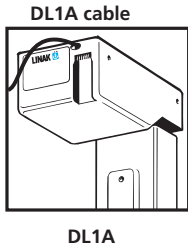


Figure 7

## **Initialisation of the DESKLINE DL1A parallel systems**

To obtain parallel operation of a DESKLINE® system it is necessary that the system at first activation drives the lifting units DL1 in end stop position bottom. Thus the control box registers the bottom position for each lifting unit.

If an extra actuator apart from the DL1 is connected to the system this actuator must also be initialised. Drive the actuator to inner position and then to outer position.

Besides the system has to be initialised when exchanging the lifting units or the control box.

# Accessories and repair

## Ordering accessories

Order from your nearest LINAK® dealer or subsidiary.

## Accessories

Please contact your nearest LINAK dealer for information.

## Repairs

Systems should only be repaired by an authorised LINAK service centre or engineer. Systems to be repaired under warranty must be sent to an authorised LINAK service centre.



### **Warning!**

By unauthorised opening of the system there is a risk that it may malfunction at a later date.

## Spare parts

Please contact your nearest LINAK dealer for information on spare parts.



## Disposal of LINAK's products

As LINAK's customers often ask us how our products can be disposed or scrapped we have prepared this guidance that enables a classification to different waste fractions for recycling or combustion.

### Guidance

We recommend our products to be disassembled as much as possible and divided into different waste groups for recycling or combustion.

For example, waste can be sorted into metals, plastics, cable scrap, combustible material, and recoverable resources.

Some of these main groups can be further divided into subgroups; e.g. metal can be divided into steel/aluminium/copper and plastic can be divided into ABS/PA/PE/PP.

As an example, the table below breaks down the different components in LINAK products to various recycling groups:

Product	Components	Recycling group
<b>Column/ Actuator :</b>	Spindle and motor Plastic housing Cable PCB boards	Scrap Plastic recycling or combustion Cable scrap or combustion Electronics scrap
<b>Control Box :</b>	PCB boards Plastic housing Cable Transformer	Electronics scrap Plastic recycling or combustion Cable scrap or combustion Metal scrap
<b>Handset/Control :</b>	Plastic housing Cable PCB board	Plastic recycling or combustion Cable scrap or combustion Electronics scrap

By now almost all our casted plastic parts are supplied with an interior code for plastic type and fibre contents, if any.

## Main groups of disposal

Product main groups	Metal scrap	Cable scrap	Electronics scrap	Plastic recycling or combustin	Comments
<b>DL1A</b>	X	X	X	X	
<b>CBD4/CBD5/CBD6</b>	X	X	X	X	
<b>DPXX</b>		X	X	X	

## Disposal of batteries

Details regarding safe disposal of used and leaking batteries:

Batteries should be disposed in accordance with appropriate federal, state and local regulations. LINAK recommends that used or leaking batteries are disposed through local recycling system. Please do not throw used or leaking batteries in normal household waste or in nature. This will cause damage to the environment.

### How to deal with leaking batteries.


Leaking batteries should be disposed as described above.

If leaking batteries are discovered in the product the batteries must be removed at once to minimise damage to the product. If leaking batteries are left in the product it might become defect.




It is recommended to use plastic gloves when handling leaking batteries. The contents of a leaking batteries can cause chemical burns and respiratory irritation.

If exposed to the contents of a leaking battery, please wash with soap and water. If irritation persists, please seek medical attention. In case of eye contact, please flush eyes thoroughly with water for 15 minutes and seek medical attention."

Label for DL1A

**LINAK®** 

WE IMPROVE YOUR LIFE  
 DESIGNED IN DENMARK  
 Item No. : DL1A501A00500645  
 Prod. Date : 2011.05.13  
 Max Load : 1600 W  
 Power Rate : 18 V ~ / Max. 10 Amp  
 Duty Cycle : 10%, Max. 2 min./18 min.  
 NOT TO BE OPENED BY UNAUTHORIZED PERSONNEL

P.O. MADE BY LINAK A/S DENMARK

Label for CBD4

**LINAK®** 

WE IMPROVE YOUR LIFE  
 DESIGNED IN DENMARK  
 Item : CBD4P00020A-109  
 Date : YYYY.MM.DD  
 U In : 120 V ~, 60 Hz  
 P In : 400 W  
 U Out : 12-24 V==  
 Op. : 10%, Max. 2 min./18 min.  
 S.W. P/N.: 0077432 Ver. 1.22





CAUTION:  
 DOUBLE INSULATED - WHEN SERVICING USE ONLY  
 IDENTICAL REPLACEMENT PARTS  
 NOT TO OPENED BY UNAUTHORIZED PERSONNEL  
 P.O. xxxxxxx ASSEMBLED IN XX YY

**LINAK®** 

WE IMPROVE YOUR LIFE  
 DESIGNED IN DENMARK  
 Item : CBD4P00020A-009  
 Date : YYYY.MM.DD  
 U In : 230 V ~, 50 Hz  
 P In : 400 W  
 U Out : 12-24 V==  
 Op. : 10%, Max. 2 min./18 min.  
 S.W. P/N.: 0077432 Ver. 1.22





CAUTION:  
 DOUBLE INSULATED - WHEN SERVICING USE ONLY  
 IDENTICAL REPLACEMENT PARTS  
 NOT TO OPENED BY UNAUTHORIZED PERSONNEL  
 P.O. xxxxxxx ASSEMBLED IN XX YY

Label for CBD5

**LINAK®** 

WE IMPROVE YOUR LIFE  
 DESIGNED IN DENMARK  
 Item : CBD5P00020A-109  
 Date : 11.01.31  
 U In : 120 V ~, 60Hz  
 P In : 500 W  
 U Out : 12-24 V==  
 Op. : 10%, Max. 2min./18min.  
 S.W. P/N.: 0077432 Ver.1.22





CAUTION:  
 DOUBLE INSULATED - WHEN SERVICING USE ONLY  
 IDENTICAL REPLACEMENT PARTS  
 NOT TO BE OPENED BY UNAUTHORIZED PERSONNEL  
 P.O. 123456 ASSEMBLED IN EU 01

**LINAK®** 

WE IMPROVE YOUR LIFE  
 DESIGNED IN DENMARK  
 Item : CBD5P00020A-009  
 Date : 11.01.31  
 U In : 230 V ~, 50Hz  
 P In : 500 W  
 U Out : 12-24 V==  
 Op. : 10%, Max. 2min./18min.  
 S.W. P/N.: 0077432 Ver.1.22

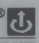
 



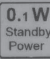



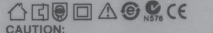
CAUTION:  
 DOUBLE INSULATED - WHEN SERVICING USE ONLY  
 IDENTICAL REPLACEMENT PARTS  
 NOT TO BE OPENED BY UNAUTHORIZED PERSONNEL  
 P.O. 123456 ASSEMBLED IN EU 01

Label for CBD6

**LINAK®** 

WE IMPROVE YOUR LIFE  
 DESIGNED IN DENMARK  
 Item : CBD6P00020A-109  
 Date : 11.01.31  
 U In : 120 V ~, 60Hz  
 P In : 375 W  
 U Out : 12-24 V==  
 Op. : 10%, Max. 2min./18min.  
 S.W. P/N.: 0077432 Ver.1.22



 




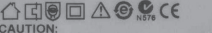
CAUTION:  
 DOUBLE INSULATED - WHEN SERVICING USE ONLY  
 IDENTICAL REPLACEMENT PARTS  
 NOT TO BE OPENED BY UNAUTHORIZED PERSONNEL  
 P.O. 123456 ASSEMBLED IN EU 01

**LINAK®** 

WE IMPROVE YOUR LIFE  
 DESIGNED IN DENMARK  
 Item : CBD6P00020A-009  
 Date : 11.01.31  
 U In : 230 V ~, 50Hz  
 P In : 375 W  
 U Out : 12-24 V==  
 Op. : 10%, Max. 2min./18min.  
 S.W. P/N.: 0077432 Ver.1.22

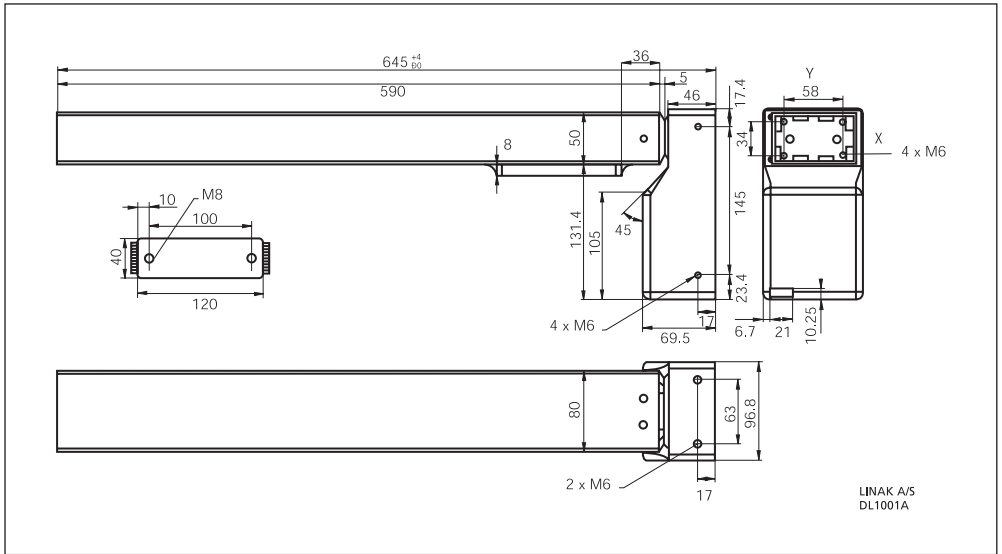




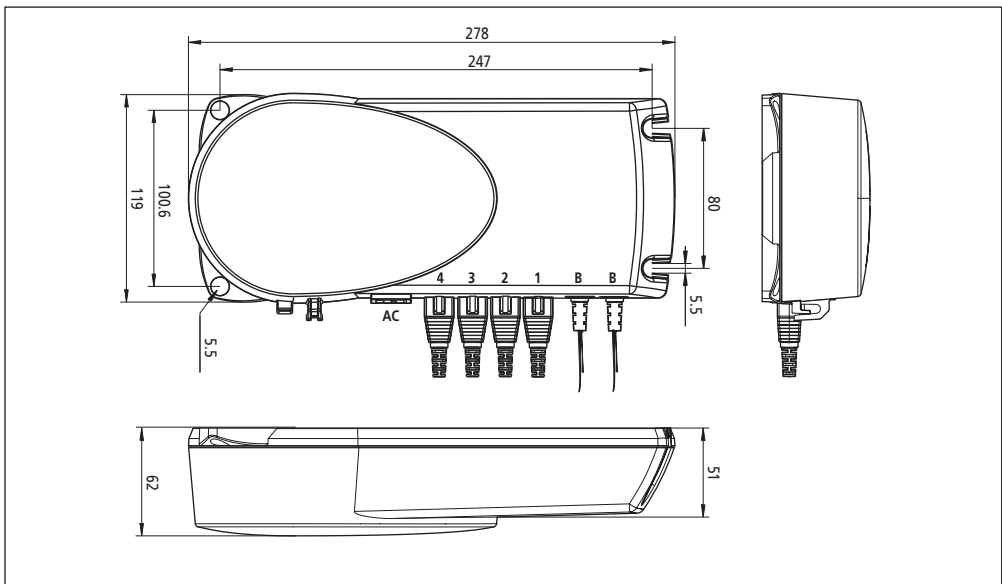
CAUTION:  
 DOUBLE INSULATED - WHEN SERVICING USE ONLY  
 IDENTICAL REPLACEMENT PARTS  
 NOT TO BE OPENED BY UNAUTHORIZED PERSONNEL  
 P.O. 123456 ASSEMBLED IN EU 01

# DRAWING APPENDIX

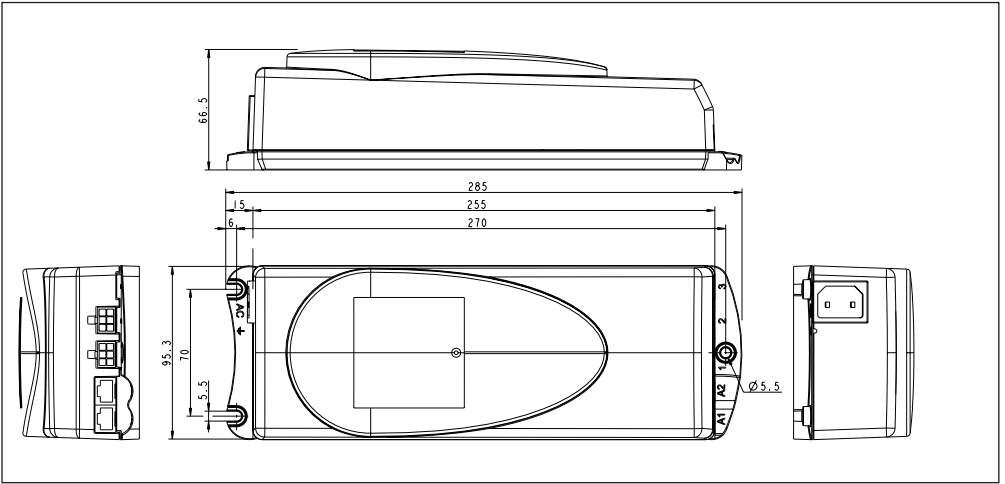
DL1A lifting unit



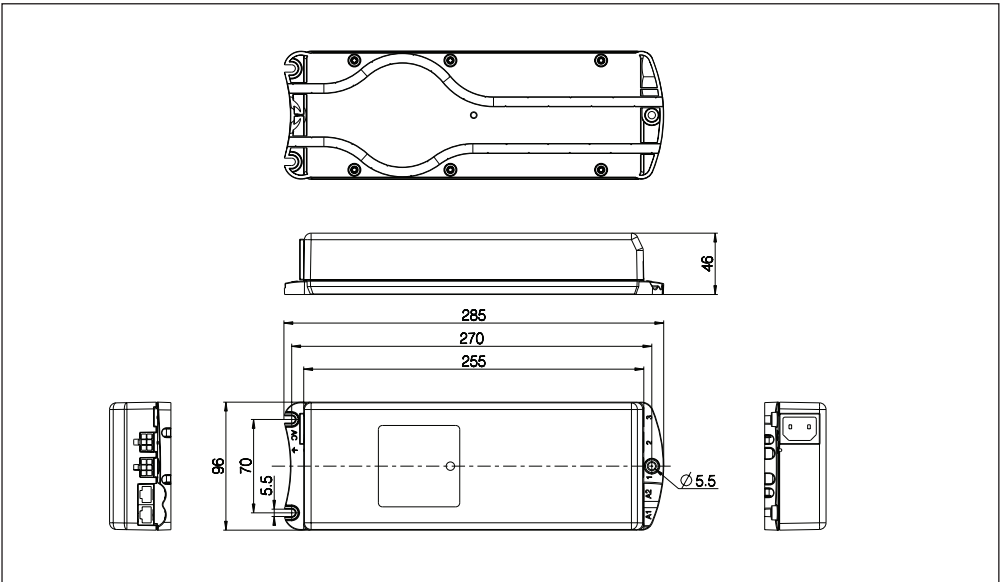
CBD4



CBD5



CBD6





## **LINAK APPLICATION POLICY**

The purpose of the application policy is to define areas of responsibilities in relation to applying a LINAK product defined as hardware, software, technical advice, etc. related to an existing or new customer application.

LINAK products as defined above are applicable for a wide range of applications within the Medical, Furniture, Desk and Industry areas. Yet, LINAK cannot know all the conditions under which LINAK products will be installed, used, and operated, as each individual application is unique.

The suitability and functionality of the LINAK product and its performance under varying conditions (application, vibration, load, humidity, temperature, frequency, etc.) can only be verified by testing, and shall ultimately be the responsibility of the LINAK customer using any LINAK product.

LINAK shall be responsible solely that the LINAK products comply with the specifications set out by LINAK and it shall be the responsibility of the LINAK customer to ensure that the specific LINAK product can be used for the application in question.



## FACTORIES

### CHINA

LINAK (Shenzhen) Actuator Systems, Ltd.  
Phone: +86 755 8610 6656  
Fax: +86 755 8610 6990  
E-mail: sales@linak.cn  
www.linak.cn

### DENMARK

LINAK A/S - Group Headquarters, Guderup  
Phone: +45 73 15 15 15  
Fax: +45 74 45 80 48  
Fax: +45 73 15 16 13 (Sales)  
E-mail: info@linak.com  
www.linak.com

### SLOVAKIA

LINAK Slovakia s.r.o.  
Phone: +421 51 75 63 414  
Fax: +421 51 75 63 410  
E-mail: jp@linak.sk  
www.linak.com

### USA

LINAK U.S. Inc.  
North and South American Headquarters  
Phone: +1 502 253 5595  
Fax: +1 502 253 5596  
E-mail: info@linak-us.com  
www.linak-us.com

## SUBSIDIARIES

### AUSTRALIA

LINAK Australia Pty. Ltd  
Phone: +61 3 8796 9777  
Fax: +61 3 8796 9778  
E-mail: sales@linak.com.au  
www.linak.com.au

### AUSTRIA

LINAK Repräsentanz Österreich (Wien)  
Phone: +43 (1) 890 7446  
Fax: +43 (1) 890 744615  
E-mail: info@linak.de  
www.linak.at

### BELGIUM & LUXEMBOURG

LINAK Actuator-Systems NV/SA  
Phone: +32 (0)9 230 01 09  
Fax: +32 (0)9 230 88 80  
E-mail: info@linak.be  
www.linak.be

### BRAZIL

LINAK Do Brasil Comércio De Atuadores Ltda.  
Phone: +55 (11) 2832 - 7070  
Fax: +55 (11) 2832 - 7060  
E-mail: info@linak.com.br  
www.linak.com.br

### CANADA

LINAK Canada Inc.  
Phone: +1 502 253 5595  
Fax: +1 416-255-7720  
E-mail: info@linak.ca  
www.linak-us.com

### CZECH REPUBLIC

LINAK C&S S.R.O.  
Phone: +420581741814  
Fax: +420581702452  
E-mail: ponizil@linak.cz  
www.linak.cz

### DENMARK

LINAK Denmark A/S  
Phone: +45 86 80 36 11  
Fax: +45 86 82 90 51  
E-mail: linak@linak-silkeborg.dk  
www.linak.dk

### FINLAND

LINAK OY  
Phone: +358 10 841 8700  
Fax: +358 10 841 8729  
E-mail: linak@linak.fi  
www.linak.fi

### FRANCE

LINAK France E.U.R.L.  
Phone: +33 (0) 2 41 36 34 34  
Fax: +33 (0) 2 41 36 35 00  
E-mail: linak@linak.fr  
www.linak.fr

### GERMANY

LINAK GmbH  
Phone: +49 6043 9655 0  
Fax: +49 6043 9655 60  
E-mail: info@linak.de  
www.linak.de

### INDIA

LINAK A/S India Liaison Office  
Phone: +91 120 4393335  
Fax: +91 120 4273708  
E-mail: info@linak.in  
www.linak.in

### IRELAND

LINAK UK Limited - Ireland  
Phone: +44 (0)121 544 2211  
Fax: +44 (0)121 544 2552  
+44 (0)796 855 1606 (UK Mobile)  
+35 387 634 6554 (Republic Of Ireland Mobile)  
E-mail: sales@linak.co.uk  
www.linak.co.uk

### ITALY

LINAK Italia S.r.l.  
Phone: +39 02 48 46 33 66  
Fax: +39 02 48 46 82 52  
E-mail: info@linak.it  
www.linak.it

### JAPAN

LINAK K.K.  
Phone: 81-45-533-0802  
Fax: 81-45-533-0803  
E-mail: linak@linak.jp  
www.linak.jp

### MALAYSIA

LINAK Actuators Sdn. Bhd.  
Phone: +60 4 210 6500  
Fax: +60 4 226 8901  
E-mail: info@linak-asia.com  
www.linak.my

### NETHERLANDS

LINAK Actuator-Systems B.V.  
Phone: +31 76 5 42 44 40  
Fax: +31 76 5 42 61 10  
E-mail: info@linak.nl  
www.linak.nl

### NEW ZEALAND

LINAK New Zealand Ltd.  
Phone: +64 9580 2071  
Fax: +64 9580 2072  
E-mail: nzsales@linak.com.au  
www.linak.co.nz

### NORWAY

LINAK Norge AS  
Phone: +47 32 82 90 90  
Fax: +47 32 82 90 98  
E-mail: info@linak.no  
www.linak.no

### POLAND

LINAK Polska  
Phone: +48 (22) 500 28 74  
Fax: +48 (22) 500 28 75  
E-mail: dkreh@linak.kr  
www.linak.pl

### REPUBLIC OF KOREA

LINAK Korea Ltd.  
Phone: +82-(0)2-6231-1515  
Fax: +82-(0)2-6231-1516  
E-mail: scully@linak.kr  
www.linak.kr

### RUSSIAN FEDERATION

000 LINAK  
Phone: +7 495 280 14 26  
Fax: +7 495 687 14 26  
E-mail: info@linak.ru  
www.linak.ru

### SPAIN

LINAK Actuadores, S.L.u  
Phone: +34 93 588 27 77  
Fax: +34 93 588 27 85  
E-mail: linakact@linak.es  
www.linak.es

### SWEDEN

LINAK Scandinavia AB  
Phone: +46 8 732 20 00  
Fax: +46 8 732 20 50  
E-mail: info@linak.se  
www.linak.se

## DISTRIBUTORS

### ARGENTINA

Novotec Argentina SRL  
Phone: +[54] (11) 4303-8900  
+ [54] (11) 4303-8989  
Fax: + [54] (11) 4032-0184  
E-mail: info@novotecargentina.com  
www.novotecargentina.com

### AUSTRALIA

Ballarat Industrial Supplies  
www.ballind.com.au

### BL Shipways & Co

www.blshipway.com.au

Gas Strut Marine and Industrial  
www.gasstrutmarine.com.au

### Prime Motion & Control

www.primemhd.com.au

West Vic Industrial Supplies  
www.westvicindustrial.com.au

### COLOMBIA

MEM Ltda  
Phone: +[57] (11) 334-7666  
Fax: +[57] (11) 282-1684  
E-mail: servicioalcliente@mem Ltda.com  
www.mem Ltda.com.co

### INDONESIA

Fl. Himalaya Everest Jaya  
Phone: +6 221 544 8956  
+6 221 544 8965  
Fax: +6 221 619 4658,  
+6 221 619 1925  
E-mail: hejplastic-div@centrin.net.id  
www.hej.co.id

### IRAN

Bod Inc.  
Phone: +98 2188998635-6  
Fax: +98 2188954481  
E-mail: info@bod.ir  
www.bod.ir

### PERU

Percy Martin Del Aguila Ubillus  
Phone: +51 99-883-9879

### RUSSIAN FEDERATION

000 FAM  
Phone: +7 812 3319333  
Fax: +7 812 3271454  
E-mail: purchase@fam-drive.ru  
www.fam-drive.ru

### SINGAPORE

Servo Dynamics Pte. Ltd.  
Phone: +65 6844 0288  
Fax: +65 6844 0070  
E-mail: servodynamics@servo.com.sg  
www.servo.com.sg

### SOUTH AFRICA

Industrial Specialised Applications CC  
Phone: +27 11 312 2292 or +27 11 2077600 (Switch Board)  
Fax: +27 11 315 6999  
E-mail: garth@isagroup.co.za  
www.isaza.co.za

### UNITED ARAB EMIRATES

Mechatronics  
Phone: +971 4 267 4311  
Fax: +971 4 267 4312  
E-mail: mechtron@emirates.net.ae  
www.mechatronics.ae

For contact details on other countries please visit [www.linak.com](http://www.linak.com) or contact:

### LINAK INTERNATIONAL

Phone: +45 73 15 15 15  
Fax: +45 74 45 90 10  
Fax: +45 73 15 16 13 (Sales)  
E-mail: info@linak.com  
www.linak.com

### Terms of use

The user is responsible for determining the suitability of LINAK products for specific application. LINAK takes great care in providing accurate and up-to-date information on its products. However, due to continuous development in order to improve its products, LINAK products are subject to frequent modifications and changes without prior notice. Therefore, LINAK cannot guarantee the correct and actual status of said information on its products. While LINAK uses its best efforts to fulfill orders, LINAK cannot, for the same reasons as mentioned above, guarantee the availability of any particular product. Therefore, LINAK reserves the right to discontinue the sale of any product displayed on its website or listed in its catalogues or other written material drawn up by LINAK. All sales are subject to the Standard Terms of Sale and Delivery for LINAK. For a copy hereof, please contact LINAK.



WE IMPROVE YOUR LIFE