



Looking for a Jacuzzi® bath for two? Consider the Duetta™ Salon™ Spa, a lush, oval whirlpool designed for discerning bathers.

**FEATURES:**

- Multi-speed motor
- 4 fully adjustable TheraPro® jets
- 8 adjustable foot and back jets
- Flexible drop-in or undermount installation options
- 900 watt variable speed heated air blower
- Bottom air channels for maximum massage
- Chromatherapy lighting system capable of 256 colors
- All-in-one electronic control panel
- Low-profile deck
- Drain-assist purge system
- RapidHeat™ inline heater
- Pro<sub>3</sub>™ Cleansing System

**Duetta™ 6642  
SALON™ SPA**

**MODEL NUMBER:**  
DZ05 (Right-hand)

**EXTERIOR DIMENSIONS:**  
66" long x 42" wide x  
26" high

**# OF JETS/TYPE OF JETS:**  
4 TheraPro™  
8 Back Jets & Foot Jets

**OPERATING GALLONS:**  
90 - 95 gallons





# Duetta™ 6642 SALON™ SPA

**DZ05** Duetta™ 6642 Salon™ Spa with Chromatherapy  
Right Hand

- Center Drain Location
- Accessories / Hardware:
  - TheraPro™ Jet Rings Kit: #D095
  - Sch 40, Rotary Drain Kit: #DA34
- Trim Kit Finishes Available:
  - (827) – Chrome
  - (898) – Brushed Chrome
  - (815) – Satin Nickel
  - (829) – Bright Brass
  - (805) – Platinum
  - (826) – Brushed Nickel
  - (845) – Oil Rubbed Bronze

### INSTALLATION NOTES

Refer to installation instructions included with fixture before beginning installation. Please confirm product availability and specifications before commencing with any installation work.

PRODUCT SPECIFICATIONS AND AVAILABILITY ARE SUBJECT TO CHANGE WITHOUT NOTICE.

### Technical Specifications

#### DIMENSIONS

66" L x 42" W x 26" H  
(1676 mm) L x (1067 mm) W x (660 mm) H

#### DRAIN/OVERFLOW

A: 18.4" (467 mm) B: 11" (279 mm)

#### CUTOUT

Template Provided Part Number: DA07000

#### TOTAL WEIGHT

1106 lbs (502 kg) / 57.5 lb/sq. ft. (281 kg/m<sup>2</sup>)

#### OPERATING GALLONAGE

Min. 90 U. S. Gal (341 liters)  
Max. 95 U.S. Gal. (360 liters)

#### PRODUCT WEIGHT

117 lbs (53 kg)

#### SKIRT MOUNTING

Not Available

#### ELECTRICAL SPECIFICATIONS

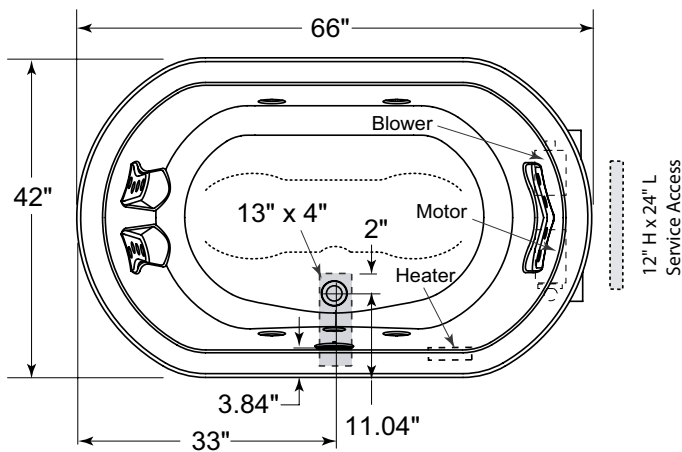
**Requires a dedicated GFCI protected separate circuit.**

Blower: 120VAC, 20AMP, 60 Hz.  
Motor/Pump and RapidHeat™: 240VAC, 20AMP, 60 Hz.

#### HEATER (STANDARD)

**Requires a dedicated GFCI protected separate circuit.**

RapidHeat™: P/N BN60000



**Product Shown: Duetta™ 6642 Salon™ Spa  
Right Hand Shown Model: DZ05**

\* Measurements inside unit represent cutout in floor to allow for drain/overflow.

Minimum Service Access dimensions given.

