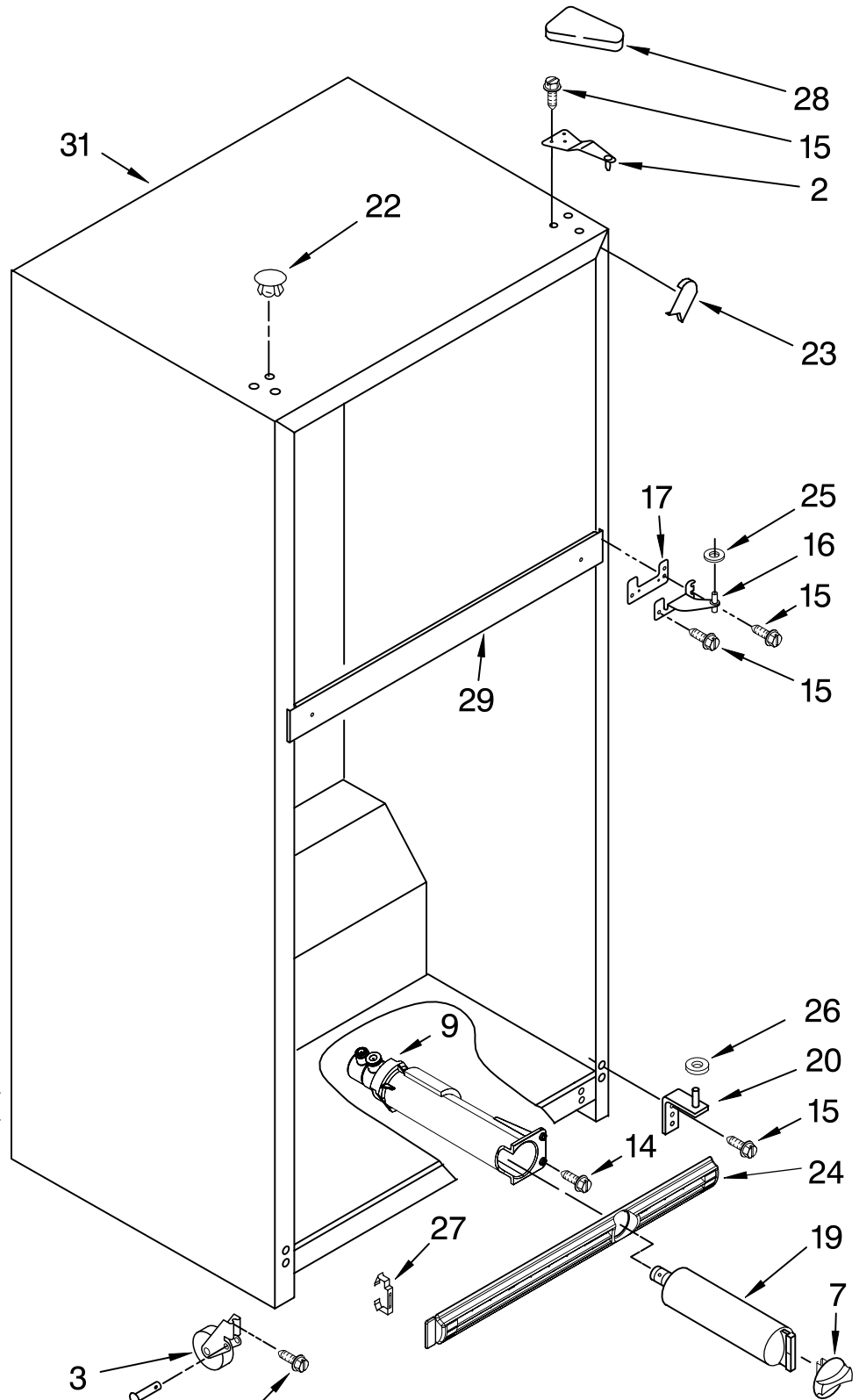
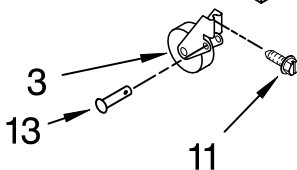
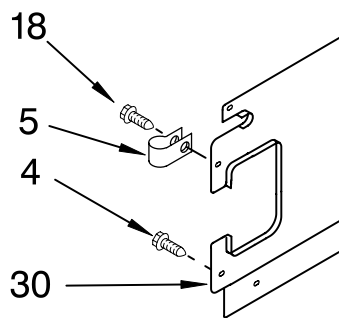
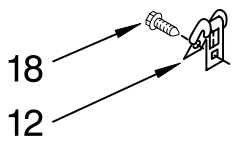
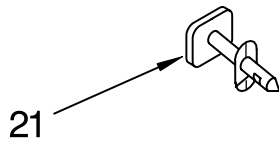
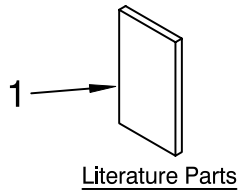


CABINET PARTS

REFRIGERATOR

For Models: GR9FHTXVQ00, GR9FHTXVB00, GR9FHTXVS00, GR9FHTXVL00
(White) (Black) (Stainless Steel) (Stainless VCM)



FOR ORDERING INFORMATION REFER TO PARTS PRICE LIST

CABINET PARTS

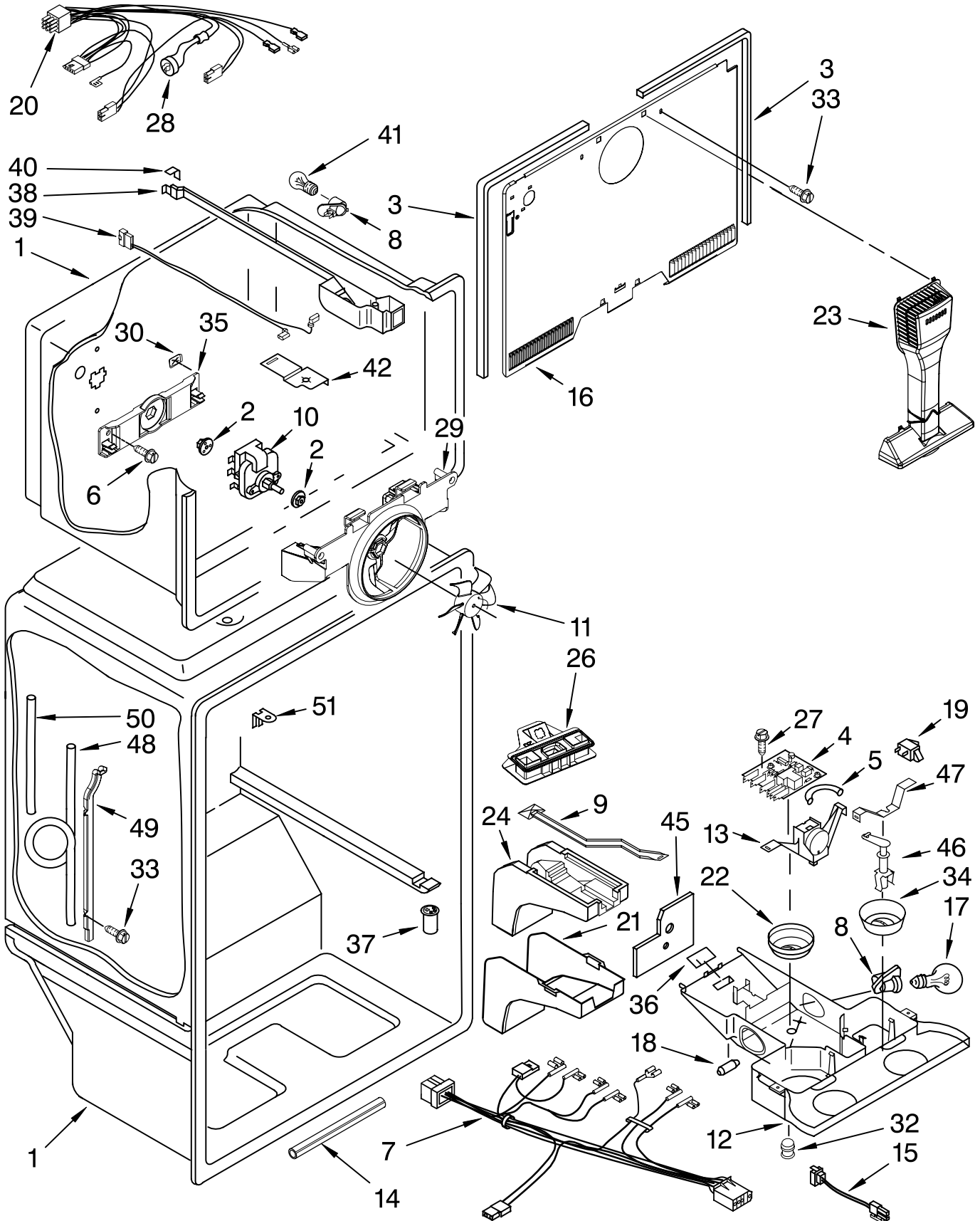
For Models: GR9FHTXVQ00, GR9FHTXVB00, GR9FHTXVS00, GR9FHTXVL00
(White) (Black) (Stainless Steel) (Stainless VCM)

Illus. No.	Part No.	DESCRIPTION	Illus. No.	Part No.	DESCRIPTION	Illus. No.	Part No.	DESCRIPTION
1		Literature Parts	4	489427	Screw	22		Hole Plug (6)
	W10142144	Service & Wiring Sheet	5	2208136	Clamp, Tube (Water Supply Line)		2201012	White
	W10178120	Energy Label	7		Cap, Water Filter	23	2183998	Black
	2225623	Modular Icemaker Service Sheet		2186494W	White		2201014	White
		Use & Care Guide		2186494B	Black		2201017	Black
	W10131411	Bilingual	9	2225521	Housing, Water Filter	24		Grille (Includes Illus. 27)
	W10131419	Trilingual	11	3400504	Screw		2301619W	White
	2302485	Customer Instruct Sheet, Wtr Filter	12	549193	Clamp, Cord		2301619B	Black
Following May Be Purchased			13	2179826	Rivet	25	489341	Washer, Plain
DO-IT-YOURSELF REPAIR MANUALS			14	3196178	Screw	26	487576	Washer, Nylon
	677969	Do-It-Yourself Manual, Ref./Fzr.	15	489497	Screw	27	2189356	Clip, Grille (2)
2	2189410	Hinge (Top)	16	2254618	Hinge, Center	28		Cover, Hinge
3	2166108	Roller, Front (2)	17	2183852	Shim, Hinge Center		2213360	White
			18	8281265	Screw		2213363	Black
			19	2301705	Water Filter	29		Rail, Center (NOT SERVICED)
			20	2254473	Hinge Butt	30	2254578	Cover, Unit
			21		Fitting, Water Tube (NOT SERVICED)	31		Cabinet (Not a Serviceable Part)

FOR ORDERING INFORMATION REFER TO PARTS PRICE LIST

LINER PARTS

For Models: GR9FHTXVQ00, GR9FHTXVB00, GR9FHTXVS00, GR9FHTXVL00
(White) (Black) (Stainless Steel) (Stainless VCM)



FOR ORDERING INFORMATION REFER TO PARTS PRICE LIST

LINER PARTS

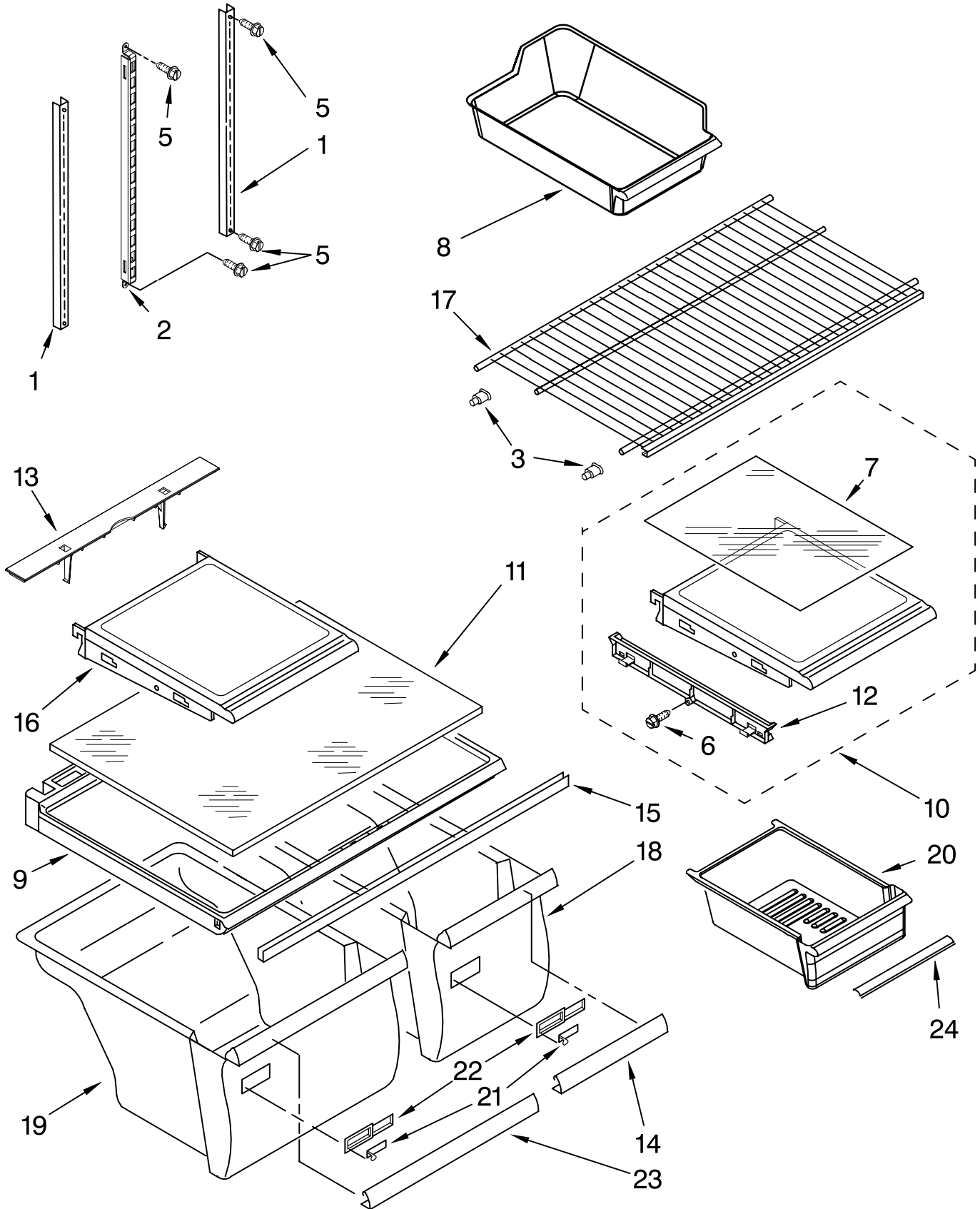
For Models: GR9FHTXVQ00, GR9FHTXVB00, GR9FHTXVS00, GR9FHTXVL00
(White) (Black) (Stainless Steel) (Stainless VCM)

Illus. No.	Part No.	DESCRIPTION	Illus. No.	Part No.	DESCRIPTION	Illus. No.	Part No.	DESCRIPTION
1		Liner (Not A Serviceable Part)	16	2320191	Cover, Evaporator	33	489478	Screw
2	2197380	Grommet (2)	17	2255743	Light Bulb (2)	34	2302536	Knob, Damper
3	2254359	Gasket, Evaporator Cover (2)	18	2200831	Weight, Thermal	35	2254454	Bracket
4	2304093	Adaptive Defrost Control	19	1118894	Rocker Arm Switch	36	2205079	Seal, Rear Thermostat
5	2212485	Thermostat Tube Barrier	20	W10129791	Wire Assembly, Freezer Compartment (Includes Illus. 28)	37	2210509	Valve
6	488208	Screw	21	2176281	Cover, Air Diffuser	38	2300417	Housing Base
7	2310076	Wire Assembly, Control Box	22	2200863	Knob, Thermostat	39	2187601	Wiring Harness, Freezer Light
8	2162085	Socket, Light	23	2254354	Air Tower	40	2166284	Gasket, Rear
9	2179858	Damper, Air	24	2189452	Air Diffuser, Bottom	41	2260802	Light Bulb
10	2315539	Fan Motor	26	2210390	Air Separator Assembly	42	2193491	Electrical Shield, Freezer Light
11	2163777	Fan Blade	27	8534009	Screw	45	2204639	Shield, Heat
12	2218304	Control Box	28	2321800	Defrost Bi-metal	46	2179859	Post, Damper
13	2314594	Thermostat Assembly (Includes Illus. 5 & 18)	29	2254453	Bracket, Fan Motor	47	2163810	Bracket, Damper Knob
14	2301622	Insulation, Water Tube	30	2320183	Retainer-Screw	48	2319867	Tube, Filter Inlet
15	2213462	LED & Connector Assembly	32	2213495	Lens-LED	49	2225531	Cover, Tubing
						50	2301621	Tube, Water Filter
						51	2210563	Clip, Retainer

FOR ORDERING INFORMATION REFER TO PARTS PRICE LIST

SHELF PARTS

For Models: GR9FHTXVQ00, GR9FHTXVB00, GR9FHTXVS00, GR9FHTXVL00
(White) (Black) (Stainless Steel) (Stainless VCM)



FOR ORDERING INFORMATION REFER TO PARTS PRICE LIST

SHELF PARTS

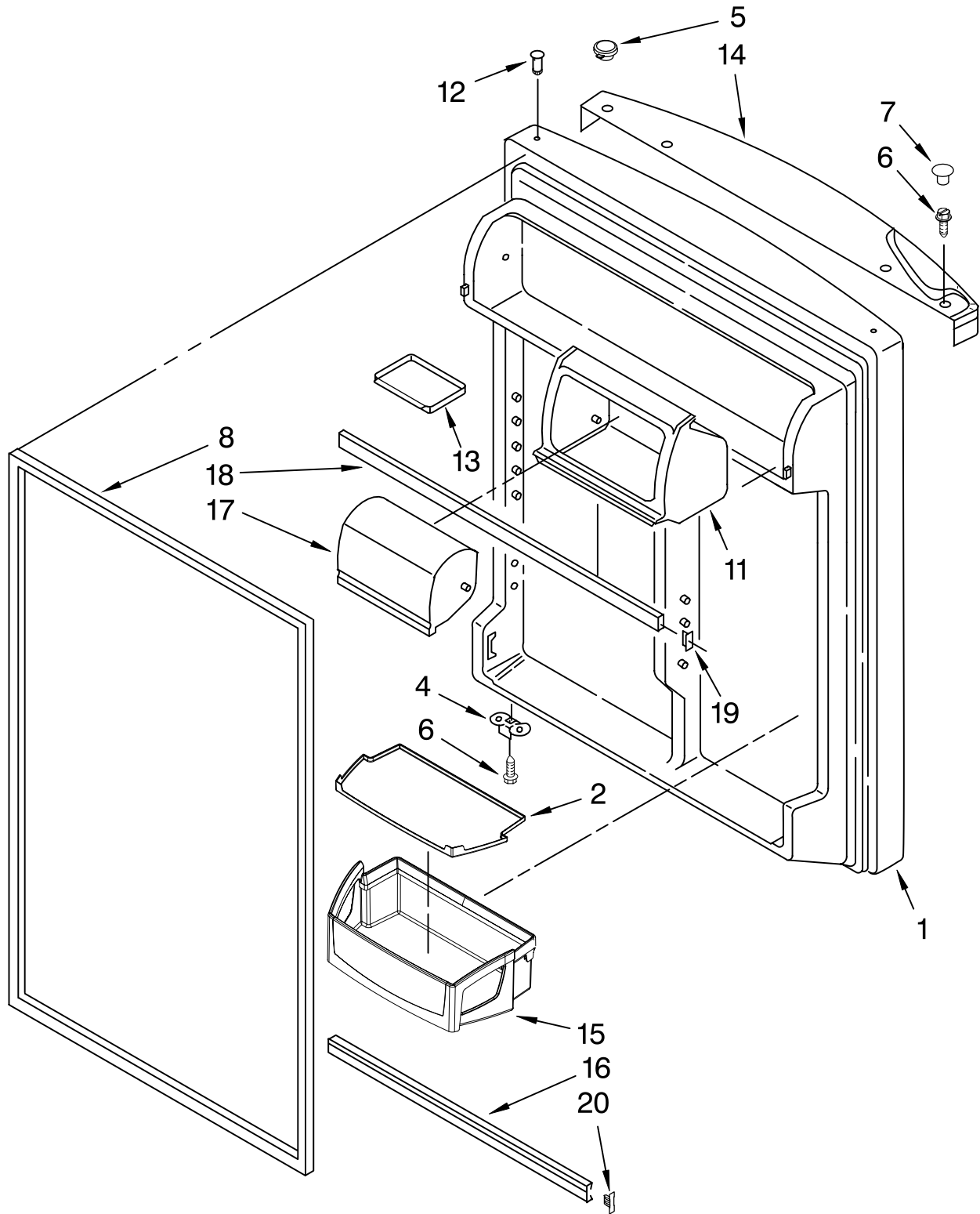
For Models: GR9FHTXVQ00, GR9FHTXVB00, GR9FHTXVS00, GR9FHTXVL00
 (White) (Black) (Stainless Steel) (Stainless VCM)

Illus. No.	Part No.	DESCRIPTION
1	2210522	Shelf, Ladder (2)
2	2300520	Shelf, Ladder Center
3	2163762	Cup, Shelf Mtg.
5	489478	Screw
6	3400065	Screw
7	2214912	Glass, Shelf
8	2254352	Ice Bucket
9	2314497	Crisper Cover
10	2214910	Shelf Assembly
11	2221693	Glass, Crisper Cover
12	2214892	Frame Assembly, Meat Shelf
13	2254458	Deflector-Air
14	2195340	Trim-Crisper Pan (10 Inch) (Crisper Cover)
15	2314477	Crisper, Support
16	2214908	Shelf Assembly, Spillguard (2)
17	2176275	Shelf, Freezer
18	2218138	Pan, Crisper Assy. (10 Inch) (Includes Illus. 14, 21, 22)
19	2218139	Pan, Crisper Assy. (13 Inch) (Includes Illus. 21,22 & 23)
20	2218127	Pan, Meat
21	2176222	Slide, Crisper
22	2212446	Body, Humidity Control
23	2195341	Trim, Crisper Pan (13 Inch)
24	2176356	Trim, Meat Pan

FOR ORDERING INFORMATION REFER TO PARTS PRICE LIST

REFRIGERATOR DOOR PARTS

For Models: GR9FHTXVQ00, GR9FHTXVB00, GR9FHTXVS00, GR9FHTXVL00
(White) (Black) (Stainless Steel) (Stainless VCM)



FOR ORDERING INFORMATION REFER TO PARTS PRICE LIST

REFRIGERATOR DOOR PARTS

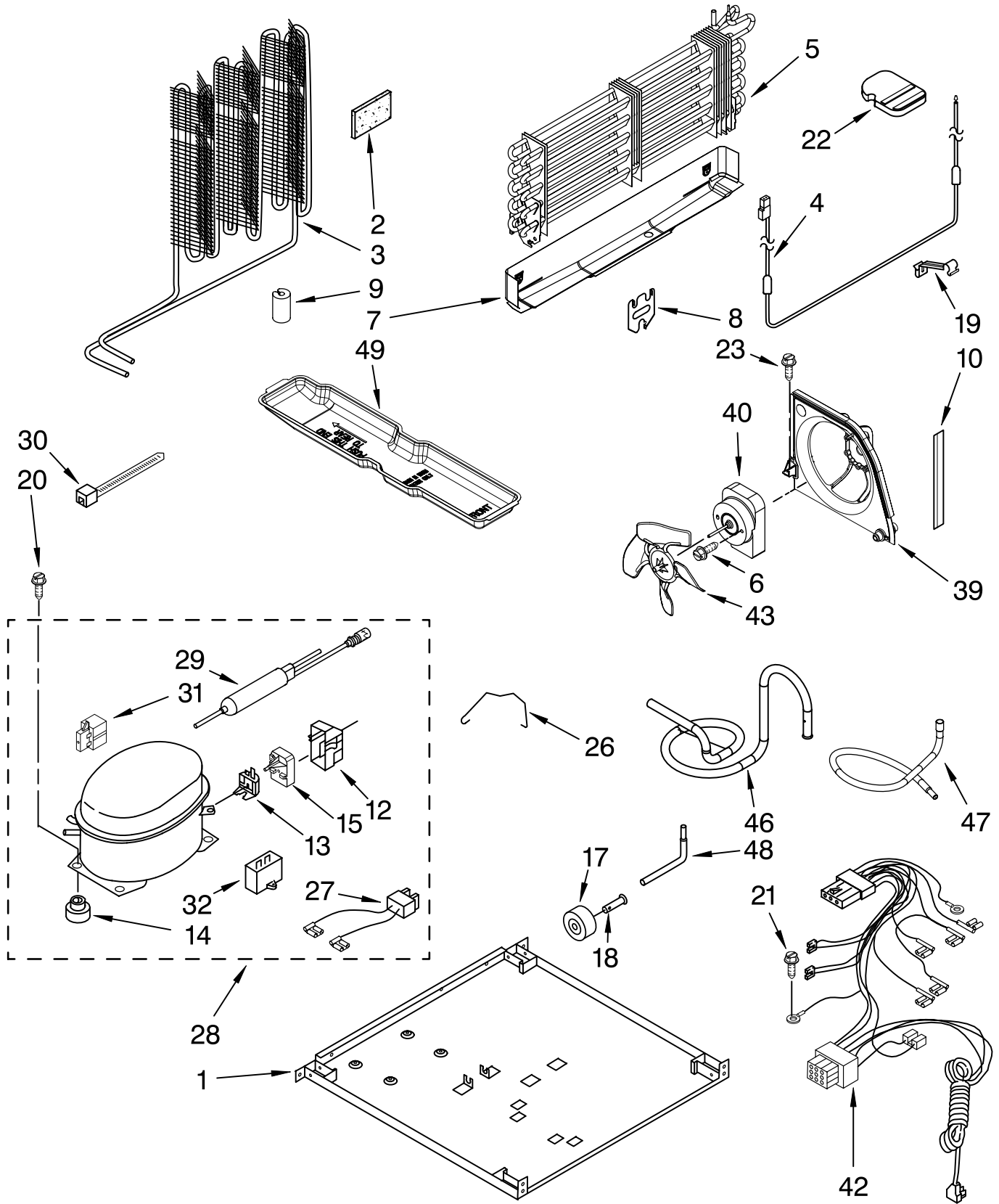
For Models: GR9FHTXVQ00, GR9FHTXVB00, GR9FHTXVS00, GR9FHTXVL00
 (White) (Black) (Stainless Steel) (Stainless VCM)

Illus. No.	Part No.	DESCRIPTION
1		Refrigerator Door (Includes Illus. 8 & 12)
	2205395	White
	2205398	Black
	2218280	Stainless Steel
	2218506	Stainless VCM
2	2300430	Mat, Rubber (Door Bin)
4	2189202	Bracket, Door Stop
5		Hole Plug, Endcap
	2204837	White
	2204840	Black
6	489276	Screw, 8-18 x 3/4
7		Hole Plug Hinge Sleeve
	2212648	White
	2212651	Black
8		Door Gasket, Magnetic
	2202874	Mist Beige
	2202881	Black
11	2210566	Housing Compartment
12	2183003	Thimble
13	2159302	Tray, Door
14		Endcap, Handle
	2212689	White
	2221652	Black
15	2300447	Bin, Door Shelf (3)
16	2195949	Trim, Door Shelf
17	2218109	Door Compartment
18	2159312	Trim, Door Shelf
19	2177340	Endcap, Door Trim
20	2156006	Plug-Trim

FOR ORDERING INFORMATION REFER TO PARTS PRICE LIST

UNIT PARTS

For Models: GR9FHTXVQ00, GR9FHTXVB00, GR9FHTXVS00, GR9FHTXVL00
 (White) (Black) (Stainless Steel) (Stainless VCM)



FOR ORDERING INFORMATION REFER TO PARTS PRICE LIST

UNIT PARTS

For Models: GR9FHTXVQ00, GR9FHTXVB00, GR9FHTXVS00, GR9FHTXVL00
(White) (Black) (Stainless Steel) (Stainless VCM)

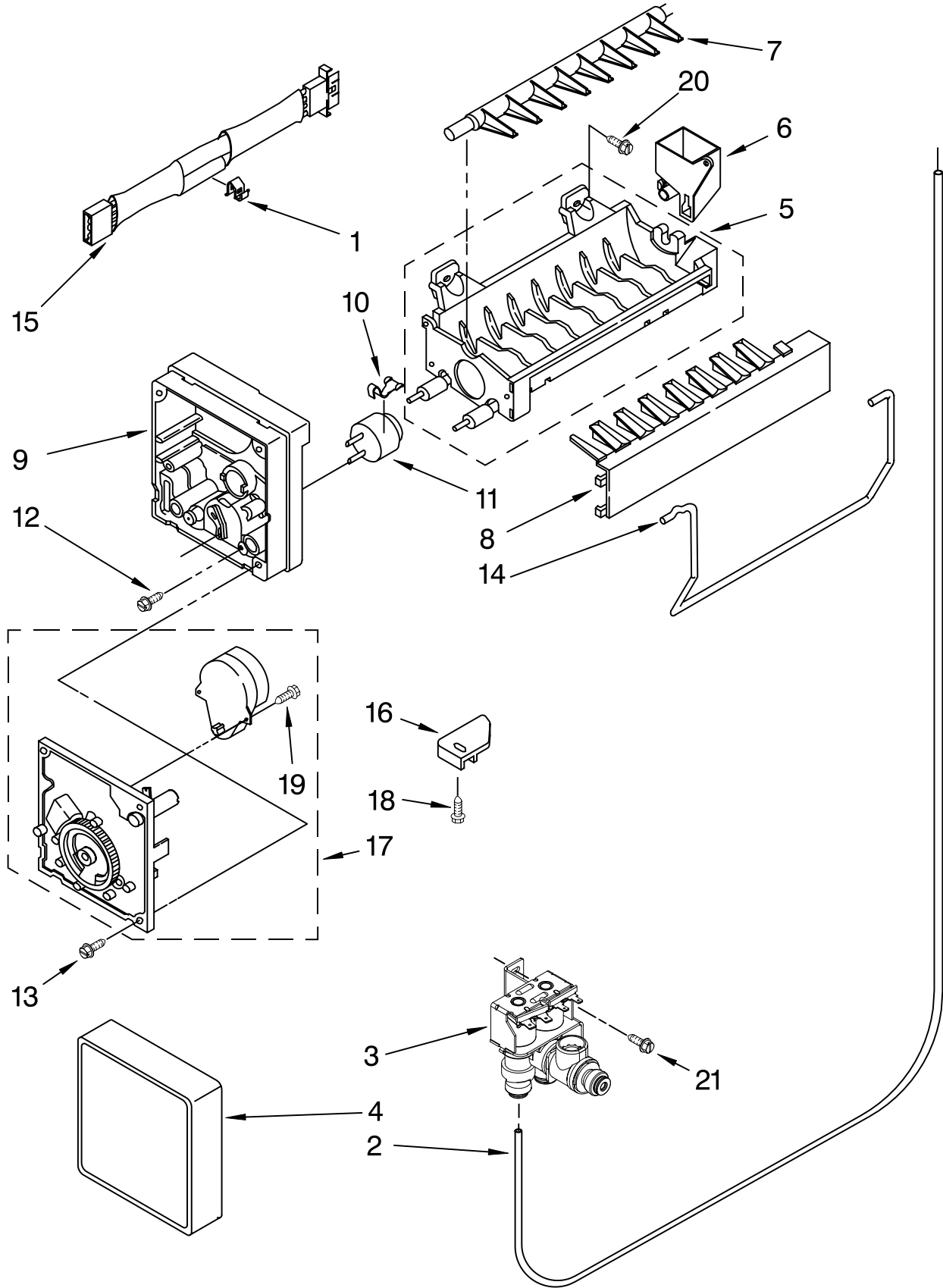
Illus. No.	Part No.	DESCRIPTION	Illus. No.	Part No.	DESCRIPTION	Illus. No.	Part No.	DESCRIPTION
1	2320188	Plate, Unit Mounting	17	2150304	Roller (2)	47	2225237	Tube, Suction
2	2169104	Insulation, Sound Dampening	18	2221797	Rivet	48	2154109	Tube, Process
3	2214960	Condenser	19	2182338	Clip, Heater	49	2254574	Evaporator Tray
4	2315531	Heater, Defrost	20	489373	Screw	<hr/> <p>Following Parts Not Illustrated and Optional Parts Not Included</p> <hr/> <p>978025 Valve, Access (1/4")</p> <p>978026 Valve, Access (5/16")</p> <p>978027 Valve, Access (3/8")</p> <p>978028 Valve, Access (1/2")</p> <p>978029 Valve, Access (5/8")</p> <p>978030 Valve, Access (3/4")</p> <p>876764 Valve, Access (3/16")</p> <hr/> <p>REFRIGERANT CHARGE</p> <p>4.0 Ozs. (R134A)</p>		
5	2254250	Evaporator Assy.	21	488500	Screw			
6	8533859	Screw	22	2201184	Support Block			
7	2254294	Drain Pan	23	3400518	Screw			
8	2176301	Bracket, Heater	26	2255113	Strap, Compressor			
9	2319835	Grommet-Cond(4)	27	4387765	Wire Assembly (Service Only)			
10	2300638	Extension, Air Baffle	28	2218968	Compressor (Includes Items 12,13,14,27,29, 31 & 32)			
12	4387731	Cover (Service Only)	29		Drier			
13	4390624	Overload (Service Only)		2317845	Service			
14		Grommet (4)	30	2155774	Wire Tie			
	1100826	Production	31	2183454	Relay (Service Only)			
	4387558	Service	32		Capacitor			
15	2225929	Start-Device Combination (Start Relay and Overload for Production Compressor Only)		2264017	Production			
				1118576	Service			
			39	2315541	Air Baffle			
			40	2188728	Motor, Condenser			
			42	2310435	Wire Assy. Unit			
			43	2225834	Fan Blade			
			46	2205384	Tube, Discharge			



FOR ORDERING INFORMATION REFER TO PARTS PRICE LIST

ICEMAKER PARTS

For Models: GR9FHTXVQ00, GR9FHTXVB00, GR9FHTXVS00, GR9FHTXVL00
(White) (Black) (Stainless Steel) (Stainless VCM)



FOR ORDERING INFORMATION REFER TO PARTS PRICE LIST

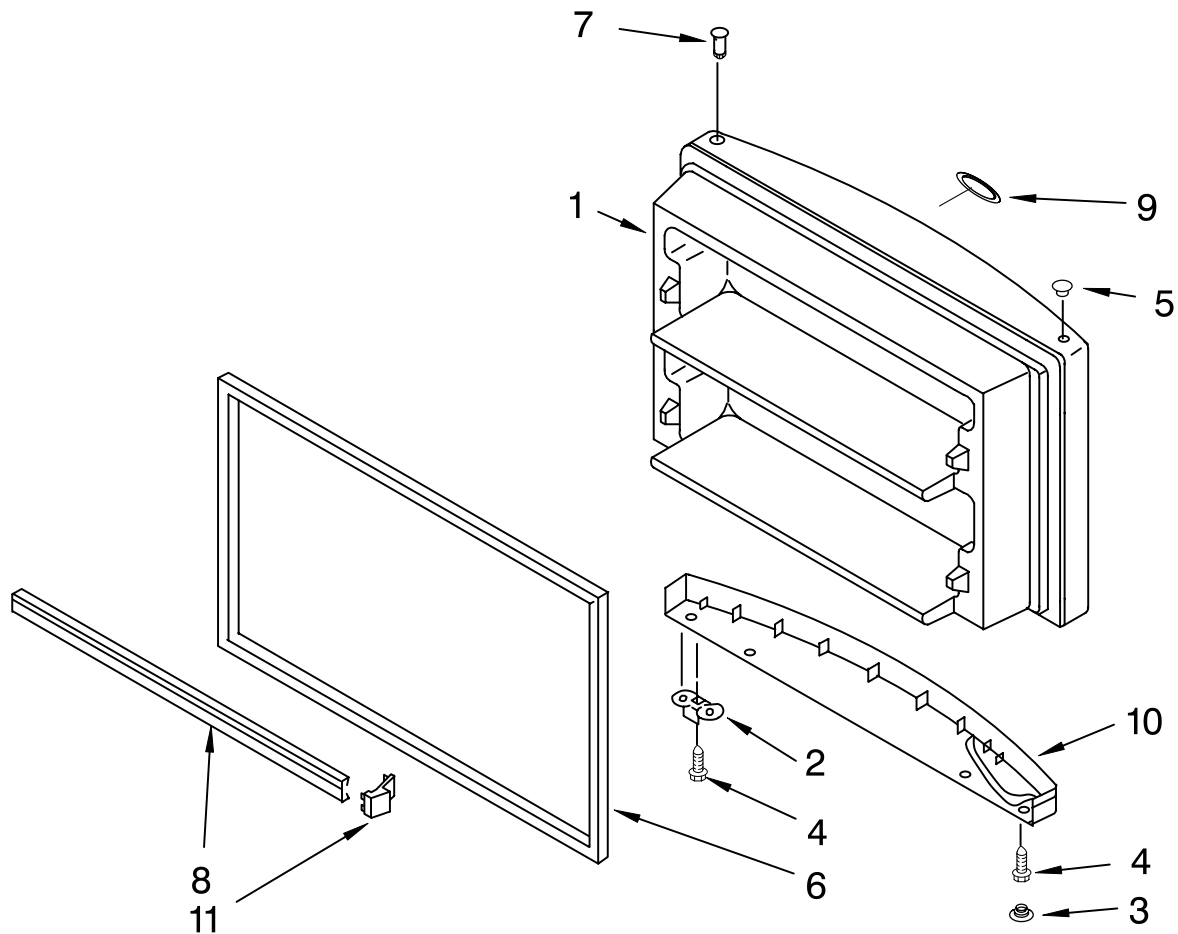
ICEMAKER PARTS

For Models: GR9FHTXVQ00, GR9FHTXVB00, GR9FHTXVS00, GR9FHTXVL00
 (White) (Black) (Stainless Steel) (Stainless VCM)

Illus. No.	Part No.	DESCRIPTION
1	628379	Clip, Fuse
2	2210514	Tube, Water
3	2188808	Valve (Double), Solenoid
4	2210484	Cover
5	W10122527	Mold & Heater Assembly (Also Order 542638 Silicone Grease)
6	628515	Cup, Water Fill
7	627843	Ejector
8	2182124	Ice Striper
9	2194712	Support
10	2315522	Retainer Thermostat
11	628397	Thermostat (Also Order 542369 Cement Alumilastic)
12	8533917	Screw
13	489276	Screw
14	627792	Shut Off Arm
15	2187464	Harness, Wiring
16	628320	Bracket
17	626680	Module Assembly (Includes Item 19)
18	489478	Screw
19	489136	Screw,
20	488208	Screw
21	489464	Screw
100	W10122496	Icemaker, Complete Assembly

FREEZER DOOR PARTS

For Models: GR9FHTXVQ00, GR9FHTXVB00, GR9FHTXVS00, GR9FHTXVL00
 (White) (Black) (Stainless Steel) (Stainless VCM)



Illus. No.	Part No.	DESCRIPTION
1		Freezer Door (Includes Illus. 6 & 7)
	2205399	White
	2205402	Black
	2212495	Stainless
	2218507	Stainless VCM
2	2189202	Bracket, Door Stop

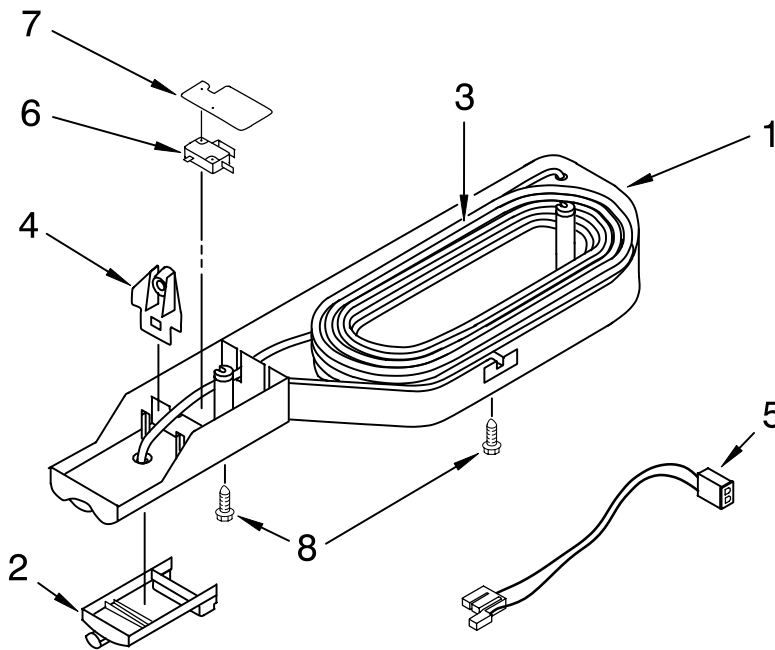
Illus. No.	Part No.	DESCRIPTION
3		Hole Plug, Endcap
	2204837	White
	2204840	Black
4	489276	Screw, 8-18 x 3/4
5		Hole Plug, Hinge Sleeve
	2212648	White
	2212651	Black
6		Door Gasket, Magnetic
	2214966	Mist Beige
	2214968	Black

Illus. No.	Part No.	DESCRIPTION
7	2183003	Thimble
8	2195946	Trim, Door Shelf (2)
9	2220214	Nameplate
10		Endcap, Handle
	2225090	White
	2225158	Black
11	2195916	EndCap, Trim (4)

FOR ORDERING INFORMATION REFER TO PARTS PRICE LIST

WATER DISPENSER PARTS

For Models: GR9FHTXVQ00, GR9FHTXVB00, GR9FHTXVS00, GR9FHTXVL00
 (White) (Black) (Stainless Steel) (Stainless VCM)



Illus. No.	Part No.	DESCRIPTION
1	2219617	Housing, Dispenser
2	2210567	Button, Dispenser
3	2320316	Reservoir, Tube
4	2210523	Flange, Tube
5	2187291	Wire Assembly
6	2162361	Switch
7	2210547	Shield, Switch
8	489415	Screw

FOR ORDERING INFORMATION REFER TO PARTS PRICE LIST

OPTIONAL PARTS

For Models: GR9FHTXVQ00, GR9FHTXVB00, GR9FHTXVS00, GR9FHTXVL00
(White) (Black) (Stainless Steel) (Stainless VCM)

Illus. Part No. No. DESCRIPTION	Illus. Part No. No. DESCRIPTION	Illus. Part No. No. DESCRIPTION
<p>Parts Not Illustrated and Optional Parts (Not Included)</p>	<p>Customer Touch-Up Material</p>	<p>TORX SCREW WRENCH</p>
<p>978941 Insulation, Fiberglass (63-1/2" x 35-1/2" x 2-5/8")</p> <p>212643 Sealer, Gum (4 Feet)</p> <p>479502 Tape, Vinyl (3/4" x 108")</p> <p>876305 Kit, Insulation (14 Pcs. 3" x 24" x 48")</p> <p>876370 Kit, Insulation (2 Pcs. 3" x 24 " x 48")</p> <p>876029 Kit, Foam Slab (30" x 32-1/2" x 1-1/2")</p> <p>505587 Sealer, Mastic (1 Qt.)</p> <p>511873 Touch-Up, White Porcelain (2 Oz.)</p> <p>542638 Grease, Silicone (1/2 Oz.)</p> <p>542639 Cement, Alumilastic (1-1/4 Oz.)</p> <p>606755 Bag, Insulation (36-5/8" x 46")</p> <p>799833 Kit, Evaporator Repair (Aluminum Epoxy)</p> <p>799832 Kit, Porcelain Repair (White)</p> <p>503695 Cork Sealer (1/4 Pound)</p>	<p>*350942 Primer, White (12 Oz. Spray Can)</p> <p>*350939 Enamel, Black (12 Oz. Spray Can)</p> <p>*350930 Enamel, White (12 Oz. Spray Can)</p> <p>*4392901 Enamel, Biscuit (12 Oz. Spray Can)</p> <p>72017 Brush Touch-Up Kit (White)</p> <p>72032 Brush Touch-Up Kit (Black)</p> <p>4392899 Brush Touch-Up Kit (Biscuit)</p> <p>Refinishing Material</p> <p>799344 Enamel, White (1 Qt. Uncut)</p> <p>4392900 Enamel, Biscuit (1 Qt. Uncut)</p> <p>799340 Enamel, Black (1 Qt. Uncut)</p> <p>833938 Kit, Terminal Connector</p> <p>*Important: The spray paint is not to be used where the paint may make contact with the door gaskets.</p>	<p>1117510 Torx Key</p>

FOR ORDERING INFORMATION REFER TO PARTS PRICE LIST