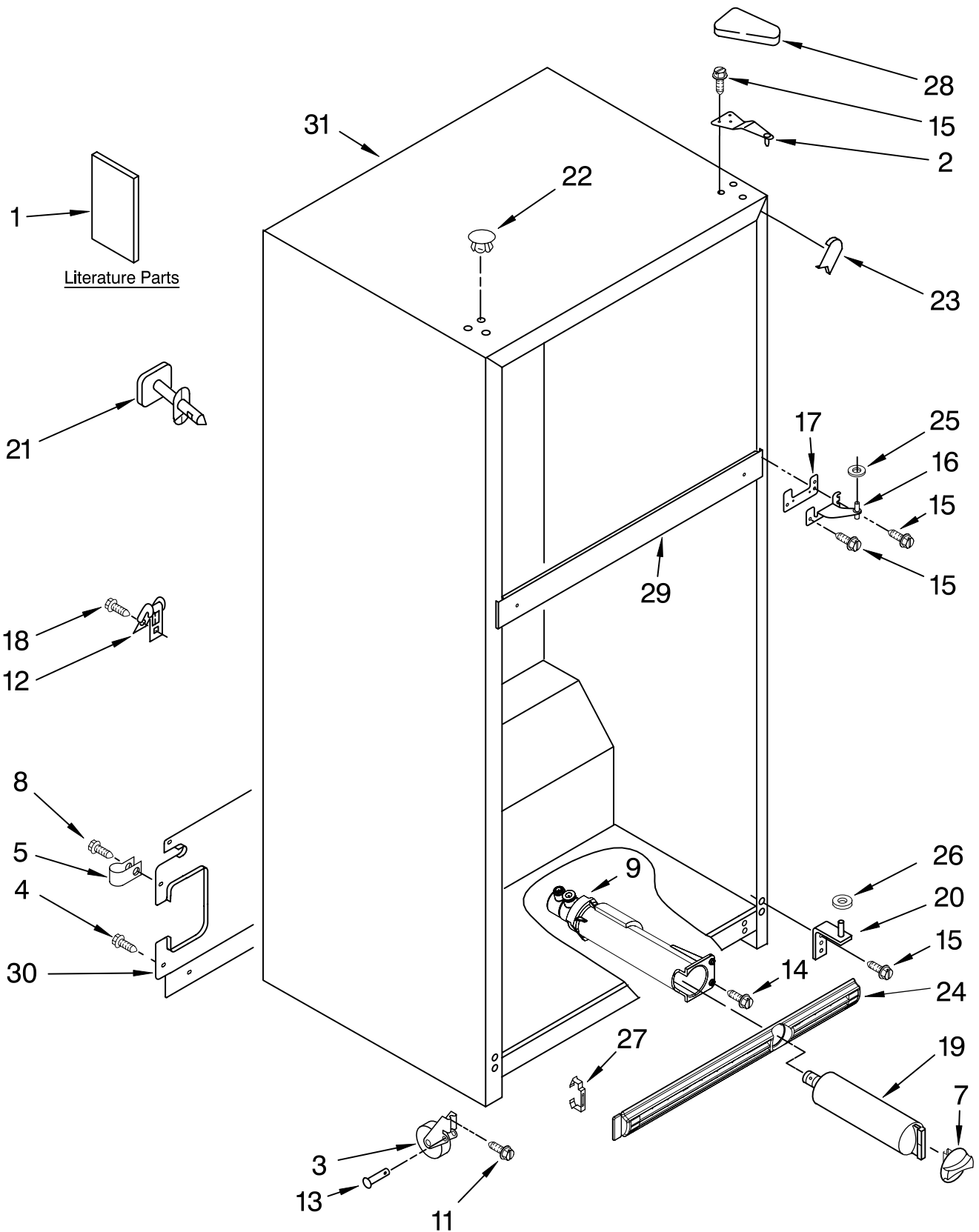




CABINET PARTS

REFRIGERATOR

For Models: GR2FHTXVQ00, GR2FHTXVB00, GR2FHTXVS00, GR2FHTXVL00
(White) (Black) (Stainless Steel) (Stainless VCM)



FOR ORDERING INFORMATION REFER TO PARTS PRICE LIST

CABINET PARTS

For Models: GR2FHTXVQ00, GR2FHTXVB00, GR2FHTXVS00, GR2FHTXVL00
(White) (Black) (Stainless Steel) (Stainless VCM)

Illus. No.	Part No.	DESCRIPTION	Illus. No.	Part No.	DESCRIPTION	Illus. No.	Part No.	DESCRIPTION
1		Literature Parts	4	8281265	Screw	22		Hole Plug (6)
	W10142144	Service & Wiring Sheet	5	2208136	Clamp, Tube (Water Supply Line)		2201012	White
	W10178138	Energy Label					2183998	Black
	2225623	Modular Icemaker Service Sheet	7		Cap, Water Filter	23		Corner Filler (2)
		Use & Care Guide		2186494W	White		2201014	White
	W10131411	Bilingual		2186494B	Black		2201017	Black
	W10131419	Trilingual	8	488886	Screw	24		Grille
	2302485	Customer Instruct Sheet, Wtr Filter	9	2225521	Housing, Water Filter			(Includes Illus. 27)
			11	3400504	Screw		2301618W	White
			12	549193	Clamp, Cord		2301618B	Black
			13	2179826	Rivet	25	489341	Washer, Plain
			14	3196178	Screw	26	487576	Washer, Nylon
			15	489497	Screw	27	2189356	Clip, Grille (2)
			16	2254618	Hinge, Center	28		Cover, Hinge
			17	2183852	Shim, Hinge Center		2213360	White
			18	489464	Screw		2213363	Black
			19	2301705	Water Filter	29		Rail, Center (NOT SERVICED)
			20	2254473	Hinge Butt	30	2254576	Cover, Unit
			21		Fitting, Water Tube (NOT SERVICED)	31		Cabinet (Not a Serviceable Part)

Following May Be Purchased

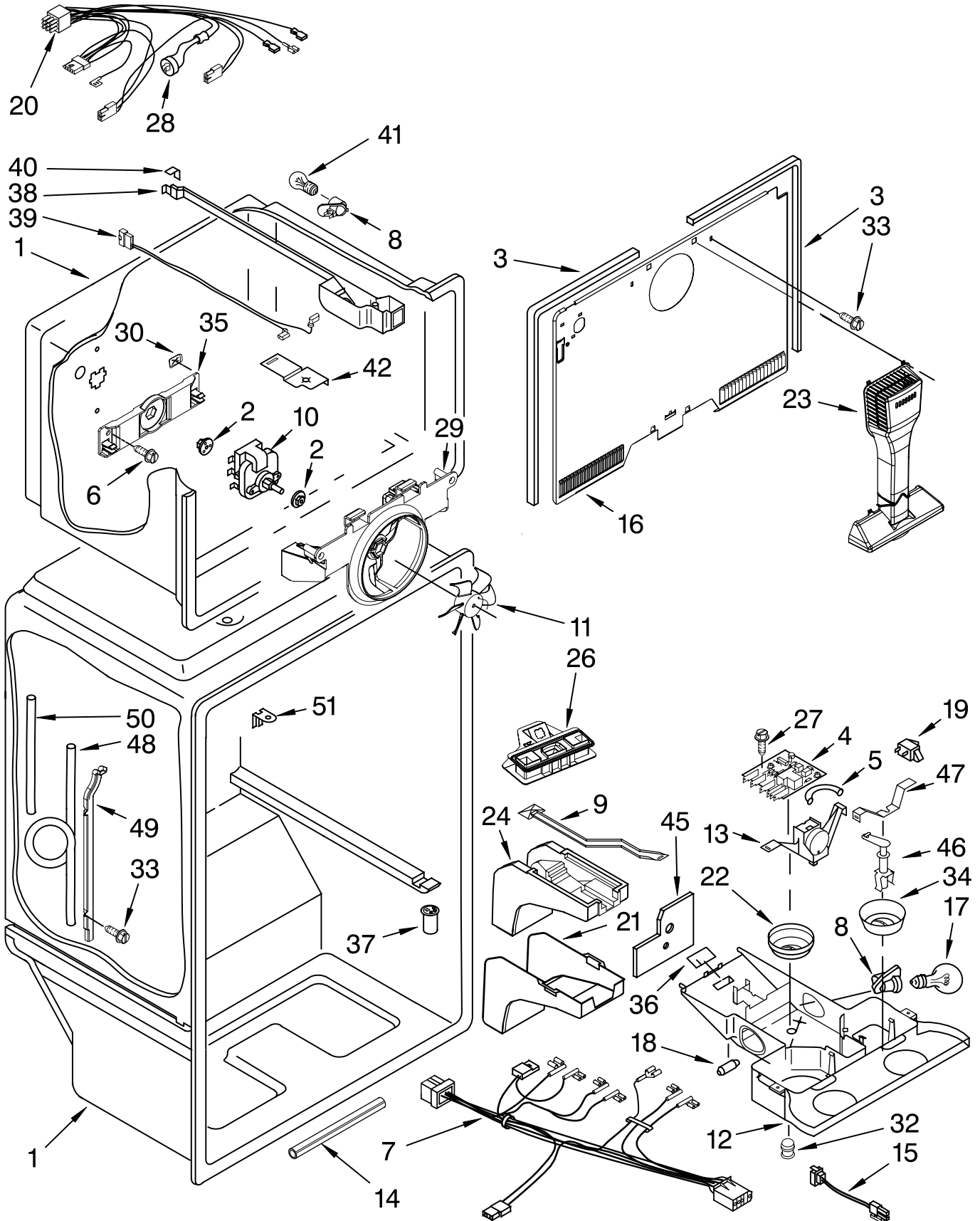
DO-IT-YOURSELF REPAIR MANUALS

677969 Do-It-Yourself Manual, Ref./Fzr.

2 2189410 Hinge (Top)
3 2166108 Roller, Front (2)

LINER PARTS

For Models: GR2FHTXVQ00, GR2FHTXVB00, GR2FHTXVS00, GR2FHTXVL00
 (White) (Black) (Stainless Steel) (Stainless VCM)



FOR ORDERING INFORMATION REFER TO PARTS PRICE LIST

LINER PARTS

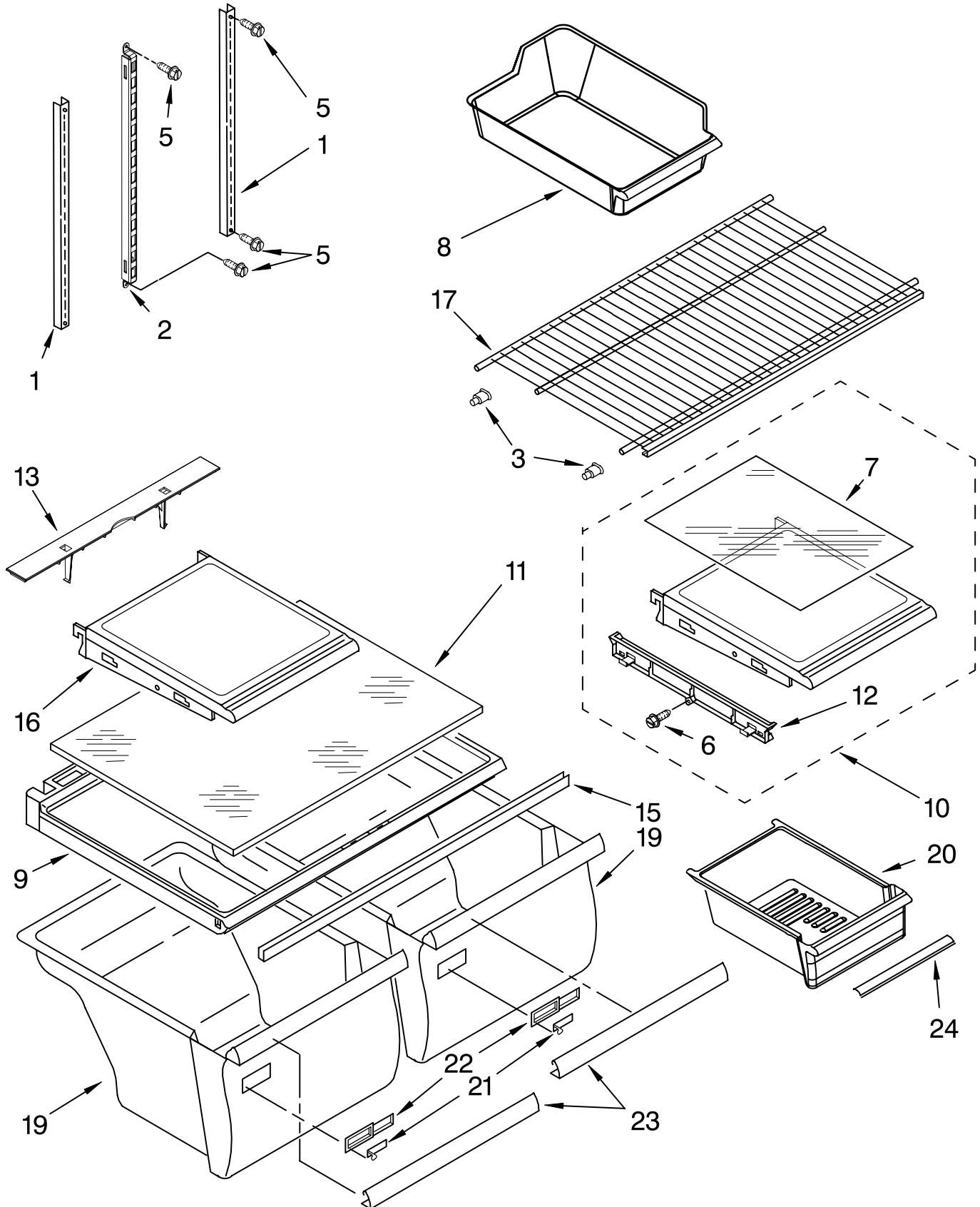
For Models: GR2FHTXVQ00, GR2FHTXVB00, GR2FHTXVS00, GR2FHTXVL00
(White) (Black) (Stainless Steel) (Stainless VCM)

Illus. No.	Part No.	DESCRIPTION	Illus. No.	Part No.	DESCRIPTION	Illus. No.	Part No.	DESCRIPTION
1		Liner (Not A Serviceable Part)	15	2213462	LED & Connector Assembly	32	2213495	Lens-LED
2	2197380	Grommet (2)	16	2320193	Cover, Evaporator	33	489478	Screw
3	2254360	Gasket, Evaporator Cover (2)	17	2255743	Light Bulb (2)	34	2302536	Knob, Damper
4	2304093	Adaptive Defrost Control	18	2200831	Weight, Thermal	35	2254454	Bracket
5	2212485	Thermostat Tube Barrier	19	1118894	Rocker Arm Switch	36	2205079	Seal, Rear Thermostat
6	488208	Screw	20	W10129795	Wire Assembly, Freezer Compartment (Includes Illus. 28)	37	2210509	Valve
7	2310076	Wire Assembly, Control Box	21	2176281	Cover, Air Diffuser	38	2300418	Housing Base
8	2162085	Socket, Light	22	2200863	Knob, Thermostat	39	2187601	Wiring Harness, Freezer Light
9	2179858	Damper, Air	23	2254354	Air Tower	40	2166284	Gasket, Rear
10	2315539	Fan Motor	24	2189452	Air Diffuser, Bottom	41	2260802	Light Bulb
11	2163777	Fan Blade	26	2212439	Air Separator Assembly	42	2193491	Electrical Shield, Freezer Light
12	2218304	Control Box	27	8534009	Screw	45	2204639	Shield, Heat
13	2314594	Thermostat Assembly (Includes Illus. 5 & 18)	28	2321800	Defrost Bi-metal	46	2179859	Post, Damper
14	2301622	Insulation, Water Tube	29	2254453	Bracket, Fan Motor	47	2163810	Bracket, Damper Knob
			30	2320183	Retainer-Screw	48	2319867	Tube, Filter Inlet
						49	2225531	Cover, Tubing
						50	2301621	Tube, Water Filter
						51	2210563	Clip, Retainer

FOR ORDERING INFORMATION REFER TO PARTS PRICE LIST

SHELF PARTS

For Models: GR2FHTXVQ00, GR2FHTXVB00, GR2FHTXVS00, GR2FHTXVL00
(White) (Black) (Stainless Steel) (Stainless VCM)



FOR ORDERING INFORMATION REFER TO PARTS PRICE LIST

SHELF PARTS

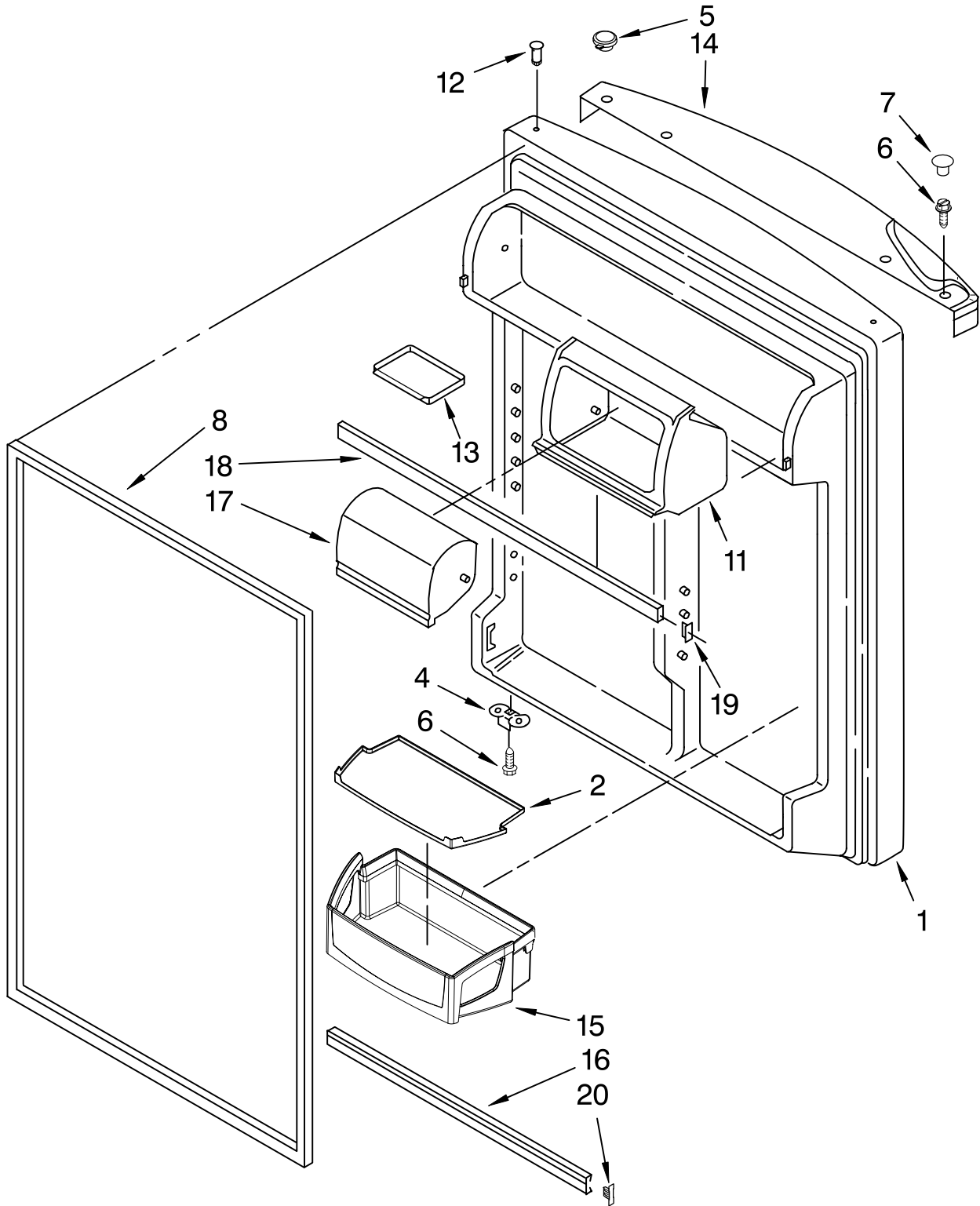
For Models: GR2FHTXVQ00, GR2FHTXVB00, GR2FHTXVS00, GR2FHTXVL00
 (White) (Black) (Stainless Steel) (Stainless VCM)

Illus. No.	Part No.	DESCRIPTION
1	2210522	Shelf, Ladder (2)
2	2300520	Shelf, Ladder Center
3	2163762	Cup, Shelf Mtg.
5	489478	Screw
6	3400065	Screw
7	2214913	Glass, Shelf
8	2254352	Ice Bucket
9	2314500	Crisper Cover
10	2214909K	Shelf Assembly
11	2210573	Glass, Crisper Cover
12	2214892	Frame Assembly, Meat Shelf
13	2254458	Deflector–Air (Crisper Cover)
15	2314478	Crisper, Support
16	2214909	Shelf Assembly, Spillguard (2)
17	2184667	Shelf, Freezer
19	2218139	Pan, Crisper (Includes Illus. 21,22 & 23)
20	2218132	Pan, Meat
21	2176222	Slide, Crisper
22	2212446	Body, Humidity Control
23	2195341	Trim, Crisper Pan
24	2176357	Trim, Meat Pan

FOR ORDERING INFORMATION REFER TO PARTS PRICE LIST

REFRIGERATOR DOOR PARTS

For Models: GR2FHTXVQ00, GR2FHTXVB00, GR2FHTXVS00, GR2FHTXVL00
(White) (Black) (Stainless Steel) (Stainless VCM)



FOR ORDERING INFORMATION REFER TO PARTS PRICE LIST

REFRIGERATOR DOOR PARTS

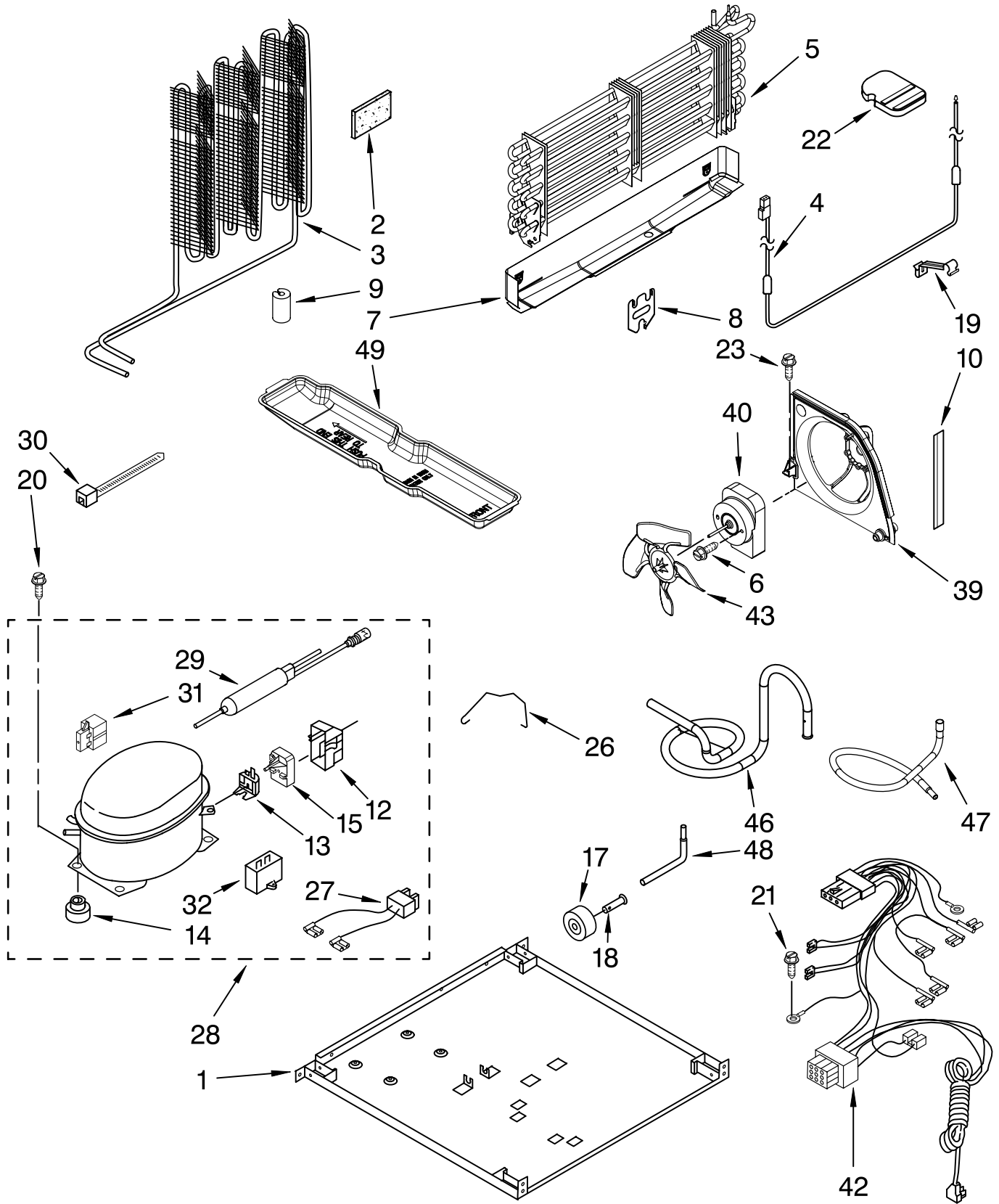
For Models: GR2FHTXVQ00, GR2FHTXVB00, GR2FHTXVS00, GR2FHTXVL00
 (White) (Black) (Stainless Steel) (Stainless VCM)

Illus. No.	Part No.	DESCRIPTION
1		Refrigerator Door (Includes Illus. 8 & 12)
	2202519	White
	2204867	Black
	2218278	Stainless Steel
	2218505	Stainless VCM
2	2300431	Mat, Rubber (Door Bin)
4	2189202	Bracket, Door Stop
5		Hole Plug, Endcap
	2204837	White
	2204840	Black
6	489276	Screw, 8-18 x 3/4
7		Hole Plug Hinge Sleeve
	2212648	White
	2212651	Black
8		Door Gasket, Magnetic
	2202875	Mist Beige
	2202882	Black
11	2210566	Housing Compartment
12	2183003	Thimble
13	2195388	Tray, Door
14		Endcap, Handle
	2212624	White
	2221644	Black
15	2300425	Bin, Door Shelf (3)
16	2195948	Trim, Door Shelf
17	2218109	Door Compartment
18	2159306	Trim, Door Shelf
19	2177340	Endcap, Door Trim
20	2156006	Plug-Trim

FOR ORDERING INFORMATION REFER TO PARTS PRICE LIST

UNIT PARTS

For Models: GR2FHTXVQ00, GR2FHTXVB00, GR2FHTXVS00, GR2FHTXVL00
 (White) (Black) (Stainless Steel) (Stainless VCM)



FOR ORDERING INFORMATION REFER TO PARTS PRICE LIST

UNIT PARTS

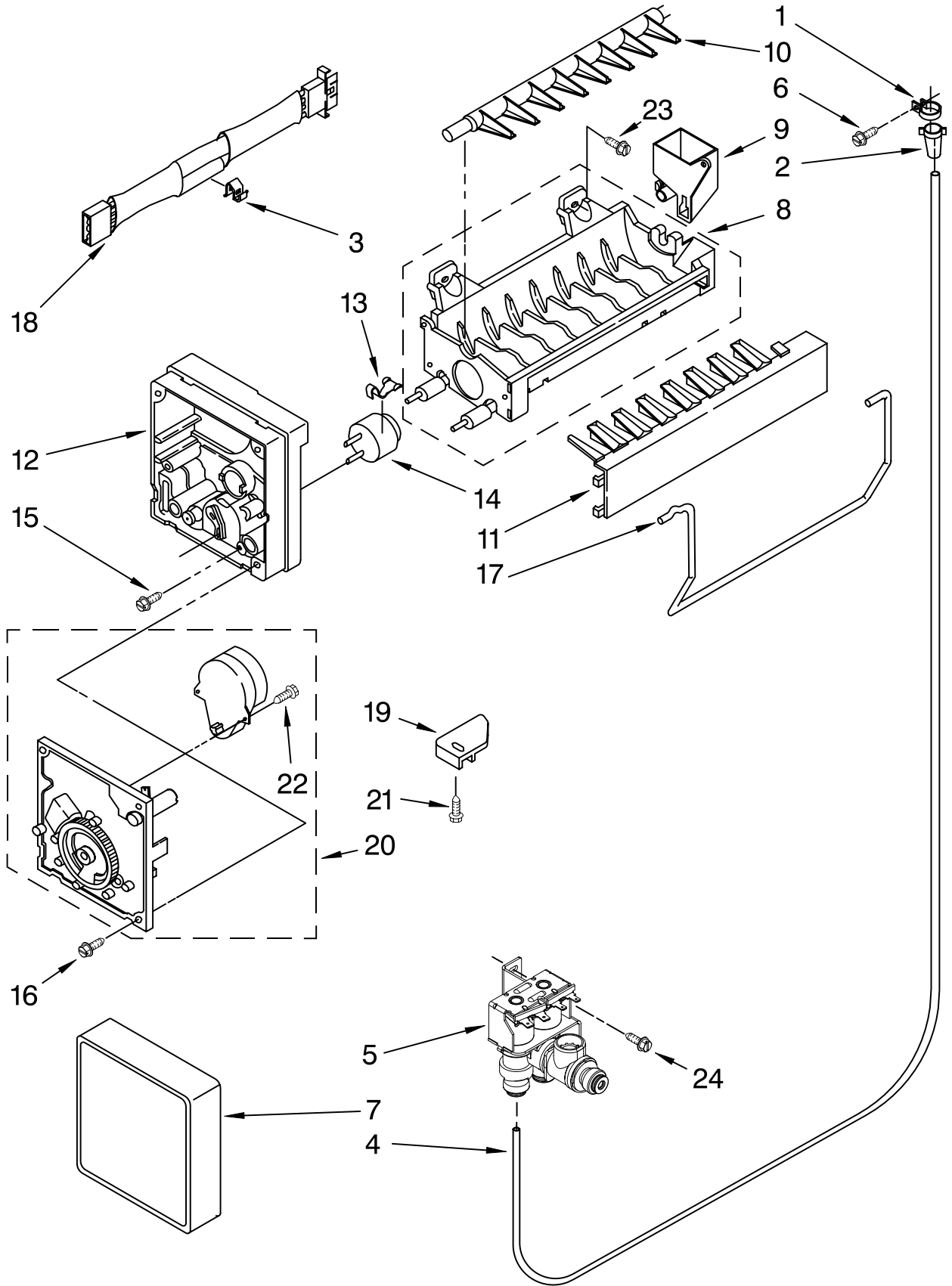
For Models: GR2FHTXVQ00, GR2FHTXVB00, GR2FHTXVS00, GR2FHTXVL00
(White) (Black) (Stainless Steel) (Stainless VCM)

Illus. No.	Part No.	DESCRIPTION	Illus. No.	Part No.	DESCRIPTION	Illus. No.	Part No.	DESCRIPTION
1	2320187	Plate, Unit Mounting	19	2182338	Clip, Heater			
2	2169104	Insulation, Sound Dampening	20	489373	Screw			
3	2214960	Condenser	21	488500	Screw			
4	2314157	Heater, Defrost	22	2201185	Support Block			
5	2254249	Evaporator Assy.	23	3400518	Screw			
6	8533859	Screw	26	2255113	Strap, Compressor			
7	2254295	Drain Pan	27	4387765	Wire Assembly (Service Only)			
8	2176301	Bracket, Heater	28	2218968	Compressor (Includes Items 12,13,14,27,29,31 & 32)			
9	2319835	Grommet-Cond(4)	29		Drier			
10	2300638	Extension, Air Baffle		2317845	Service			
12	4387731	Cover (Service Only)	30	2155774	Wire Tie			
13	4390624	Overload (Service Only)	31	2183454	Relay (Service Only)			
14		Grommet (4)	32		Capacitor			
	1100826	Production		2264017	Production			
	4387558	Service		1118576	Service			
15	2225929	Start-Device Combination (Start Relay and Overload for Production Compressor Only)	39	2315541	Air Baffle			
			40	2188874	Motor, Condenser			
			42	2187916	Wire Assy. Unit			
			43	2225834	Fan Blade			
			46	2205384	Tube, Discharge			
			47	2225237	Tube, Suction			
17	2150304	Roller (2)	48	2154109	Tube, Process			
18	2221797	Rivet	49	2254574	Evaporator Tray			
						<hr/> Following Parts Not Illustrated and Optional Parts Not Included <hr/>		
						978025		Valve, Access (1/4")
						978026		Valve, Access (5/16")
						978027		Valve, Access (3/8")
						978028		Valve, Access (1/2")
						978029		Valve, Access (5/8")
						978030		Valve, Access (3/4")
						876764		Valve, Access (3/16")
						<hr/> REFRIGERANT CHARGE <hr/>		
								4.0 Ozs. (R134A)

FOR ORDERING INFORMATION REFER TO PARTS PRICE LIST

ICEMAKER PARTS

For Models: GR2FHTXVQ00, GR2FHTXVB00, GR2FHTXVS00, GR2FHTXVL00
(White) (Black) (Stainless Steel) (Stainless VCM)



FOR ORDERING INFORMATION REFER TO PARTS PRICE LIST

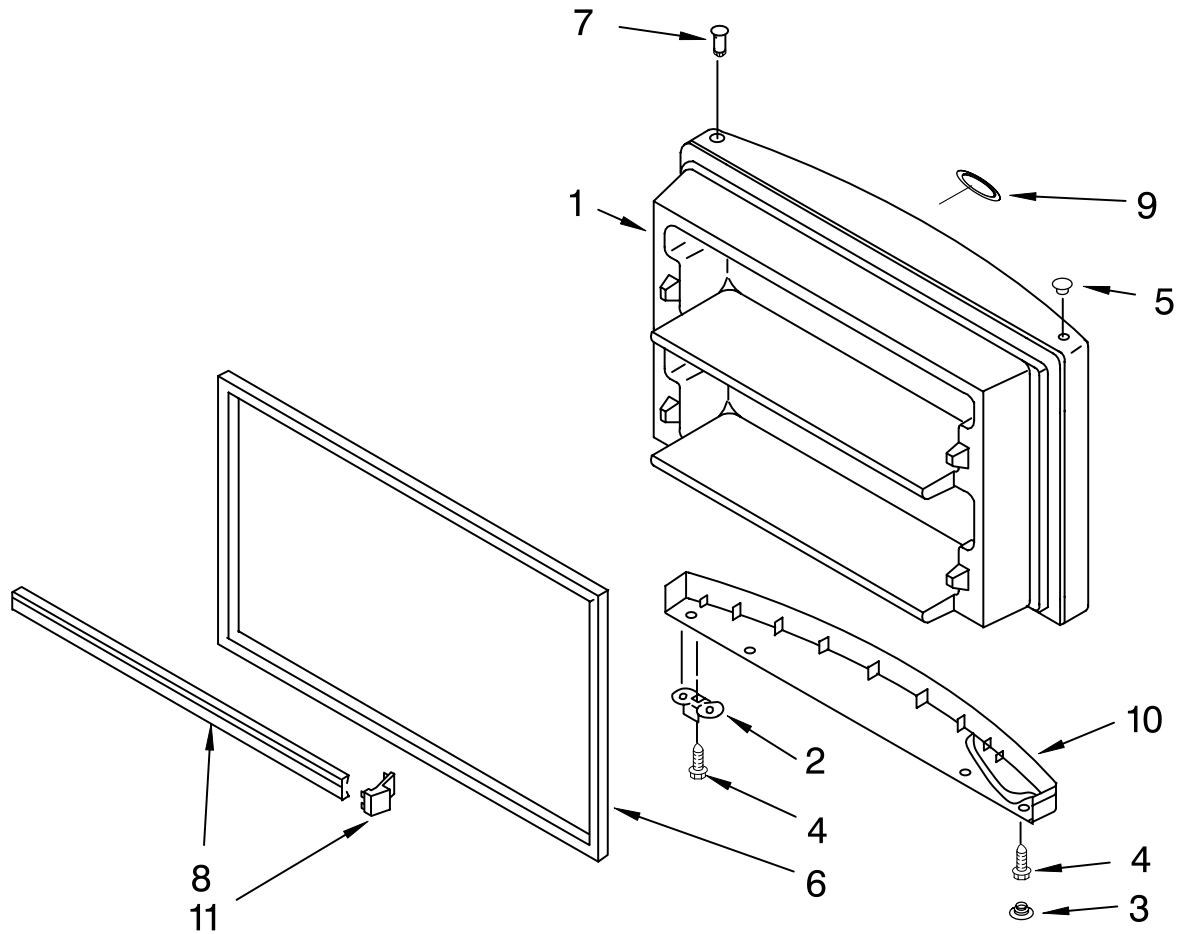
ICEMAKER PARTS

For Models: GR2FHTXVQ00, GR2FHTXVB00, GR2FHTXVS00, GR2FHTXVL00
 (White) (Black) (Stainless Steel) (Stainless VCM)

Illus. No.	Part No.	DESCRIPTION
1	488878	Clamp, Tube
2	2181939	Insert, Tube
3	628379	Clip, Fuse
4	2210514	Tube, Water
5	2188808	Valve (Double), Solenoid
6	488886	Screw
7	2210484	Cover
8	W10122527	Mold & Heater Assembly (Also Order 542638 Silicone Grease)
9	628515	Cup, Water Fill
10	627843	Ejector
11	2182124	Ice Striper
12	2194712	Support
13	2315522	Retainer
14	628397	Thermostat (Also Order 542369 Cement Alumilastic)
15	8533917	Screw
16	489276	Screw
17	627792	Shut Off Arm
18	2187464	Harness, Wiring
19	628320	Bracket
20	626680	Module Assembly (Includes Item 22)
21	489478	Screw
22	489136	Screw,
23	488208	Screw
24	489442	Screw
100	W10122496	Icemaker, Complete Assembly

FREEZER DOOR PARTS

For Models: GR2FHTXVQ00, GR2FHTXVB00, GR2FHTXVS00, GR2FHTXVL00
(White) (Black) (Stainless Steel) (Stainless VCM)

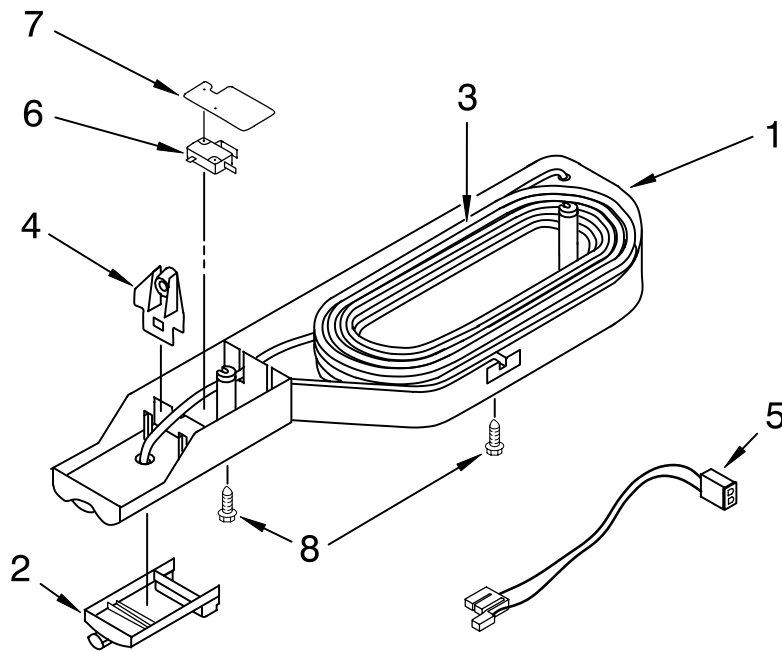


Illus. No.	Part No.	DESCRIPTION	Illus. No.	Part No.	DESCRIPTION	Illus. No.	Part No.	DESCRIPTION
1		Freezer Door (Includes Illus. 6 & 7)	4	489276	Screw, 8-18 x 3/4	7	2183003	Thimble
	2202520	White	5		Hole Plug, Hinge Sleeve	8	2195947	Trim, Door Shelf (2)
	2204856	Black		2212648	White	9	2220214	Nameplate
	2212419	Stainless		2212651	Black	10		Endcap, Handle
	2218508	Stainless VCM	6		Door Gasket, Magnetic		2225094	White
2	2189202	Bracket, Door Stop		2214967	Mist Beige		2225108	Black
				2214969	Black	11	2195916	EndCap, Trim (4)
3		Hole Plug, Endcap						
	2204837	White						
	2204840	Black						

FOR ORDERING INFORMATION REFER TO PARTS PRICE LIST

WATER DISPENSER PARTS

For Models: GR2FHTXVQ00, GR2FHTXVB00, GR2FHTXVS00, GR2FHTXVL00
 (White) (Black) (Stainless Steel) (Stainless VCM)



Illus. No.	Part No.	DESCRIPTION
1	2210500	Housing, Dispenser
2	2210567	Button, Dispenser
3	2320316	Reservoir, Tube
4	2210523	Flange, Tube
5	2187291	Wire Assembly
6	2162361	Switch
7	2210547	Shield, Switch
8	489415	Screw

FOR ORDERING INFORMATION REFER TO PARTS PRICE LIST

OPTIONAL PARTS

For Models: GR2FHTXVQ00, GR2FHTXVB00, GR2FHTXVS00, GR2FHTXVL00
(White) (Black) (Stainless Steel) (Stainless VCM)

Illus. No.	Part No.	DESCRIPTION	Illus. No.	Part No.	DESCRIPTION	Illus. No.	Part No.	DESCRIPTION
Parts Not Illustrated and Optional Parts (Not Included)			Customer Touch-Up Material			TORX SCREW WRENCH		
	978941	Insulation, Fiberglass (63-1/2" x 35-1/2" x 2-5/8")		*350942	Primer, White (12 Oz. Spray Can)		1117510	Torx Key
	212643	Sealer, Gum (4 Feet)		*350939	Enamel, Black (12 Oz. Spray Can)			
	479502	Tape, Vinyl (3/4" x 108")		*350930	Enamel, White (12 Oz. Spray Can)			
	876305	Kit, Insulation (14 Pcs. 3" x 24" x 48")		*4392901	Enamel, Biscuit (12 Oz. Spray Can)			
	876370	Kit, Insulation (2 Pcs. 3" x 24" x 48")		72017	Brush Touch-Up Kit (White)			
	876029	Kit, Foam Slab (30" x 32-1/2" x 1-1/2")		72032	Brush Touch-Up Kit (Black)			
	505587	Sealer, Mastic (1 Qt.)		4392899	Brush Touch-Up Kit (Biscuit)			
	511873	Touch-Up, White Porcelain (2 Oz.)		Refinishing Material				
	542638	Grease, Silicone (1/2 Oz.)		799344	Enamel, White (1 Qt. Uncut)			
	542639	Cement, Alumilastic (1-1/4 Oz.)		4392900	Enamel, Biscuit (1 Qt. Uncut)			
	606755	Bag, Insulation (36-5/8" x 46")		799340	Enamel, Black (1 Qt. Uncut)			
	799833	Kit, Evaporator Repair (Aluminum Epoxy)		833938	Kit, Terminal Connector			
	799832	Kit, Porcelain Repair (White)		* Important: The spray paint is not to be used where the paint may make contact with the door gaskets.				
	503695	Cork Sealer (1/4 Pound)						

FOR ORDERING INFORMATION REFER TO PARTS PRICE LIST