


Thinking of you

 **Electrolux**

 **Electrolux**



lock



low



medium



high



light



auto off

installation
and user manual
e:line canopy rangehoods
ERCM9010AS
ERCE9020AS
ERCG9030AS





Congratulations

Congratulations and thank you for choosing our E:Line canopy rangehood. We are sure you will find your new rangehood a pleasure to use. Before you use your rangehood, we recommend that you read through the whole user manual, which provides the description of the rangehood and its function.

To avoid the risks that are always present when you use an electrical appliance it is important that the canopy rangehood is installed correctly and that you read the safety instructions carefully to avoid misuse and hazards. We recommend that you keep this instruction booklet for future reference and pass it on to any future owners. After unpacking the canopy rangehood please check it is not damaged. If in doubt, do not use the appliance but contact your local Electrolux Service Centre.

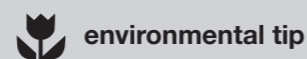
CONDITIONS OF USE

This appliance is intended to be used in household and similar applications such as:

- Staff kitchen areas in shops, offices and other working environments
- Farm houses
- By clients in hotels, motels and other residential type environments
- Bed and breakfast type environments.

Contents

• Product description	2
• Important safety instructions	3
• Dimensions	4
• Installation	5
• Using the rangehood	6
• Maintenance and cleaning	8
• Changing the halogen lamps	8
• Optional ducting accessories	9
• Warranty	10

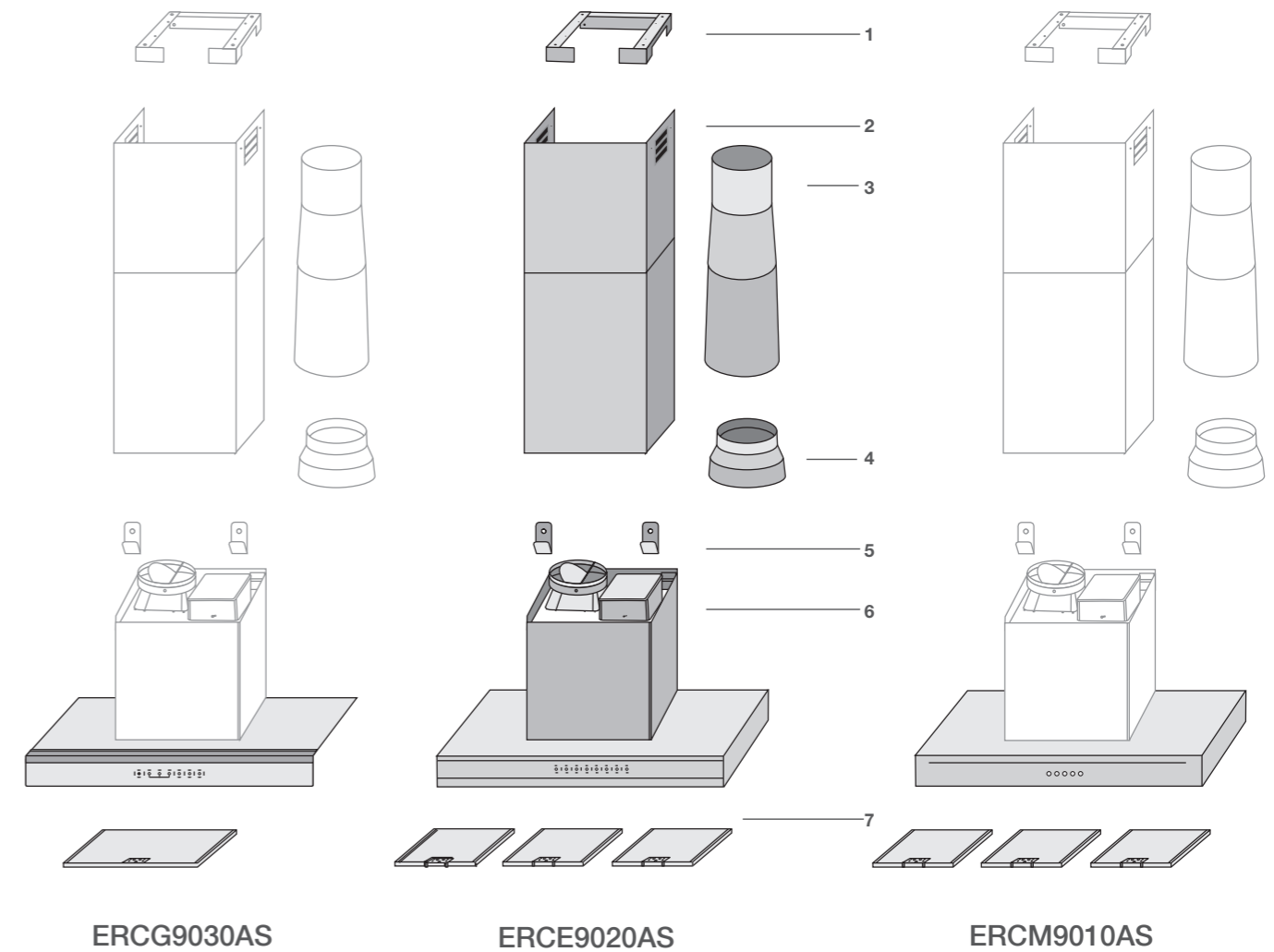


environmental tip

Information on disposal for users

- Most of the packing materials are recyclable. Please dispose of those materials through your local recycling depot or by placing them in appropriate collection containers.
- If you wish to discard this product, please contact your local authorities and ask for the correct method of disposal.

Product description



Component list

1. Exhaust cover ceiling mounting bracket
2. Telescopic exhaust cover set
3. Flexible exhaust pipe
4. Exhaust duct transition
5. Main body mounting brackets
6. Main body and fan housing assembly
7. Grease filters

Additional items required for installation

- Fixings required to attach main body mounting brackets and anti tilt fixings.
- Fixings required to attach exhaust cover mounting brackets to the ceiling.

Technical specification

Model **ERCG9030AS**
 Power supply: 220-240 volts 50Hz.
 Connects to 7.5A GPO.
 Lights: 2 x 20 watt 12 volt halogen.

Model **ERCE9020AS**
 Power supply: 220-240 volts 50Hz.
 Connects to 7.5A GPO.
 Lights: 2 x 20 watt 12 volt halogen.

Model **ERCM9010AS**
 Power supply: 220-240 volts 50Hz.
 Connects to 7.5A GPO.
 Lights: 2 x 20 watt 12 volt halogen.

Important safety instructions

This manual explains the proper use of your new E:Line canopy rangehood. Please read this manual carefully before using the product. This manual should be kept in a safe place for handy reference.

This canopy rangehood is a domestic appliance which has been manufactured and tested to comply with Australian and New Zealand Standard AS/NZS 60335.2.31.



caution

This symbol indicates the possibility of injury or damage to property

Meanings of symbols used in this manual are shown below:



This symbol indicates never to do this



This symbol indicates always do this



caution

Read the following carefully to avoid an electric shock or fire.

- ✔ Young children should be supervised to ensure they do not play with the canopy rangehood.
- ⊘ This appliance is not intended for use by persons (including children) with reduced physical, sensory or mental capabilities, or lack of experience and knowledge, unless they have been given supervision or instruction concerning the use of the appliance by a person responsible for their safety.
- ✔ Ensure the canopy rangehood is switched off before carrying out maintenance, to avoid any possibility of electric shock.
- ⊘ Never carry out flambé cooking under the canopy rangehood.
- ⊘ This canopy rangehood is not recommended for barbecues.
- ⊘ This canopy rangehood cannot be installed for external use.
- ✔ Grease filters must be removed at least every four weeks for cleaning to reduce the risk of fire.
- ⊘ The exhaust from the canopy rangehood must not be discharged into any heating flue, which may carry combustion products from other sources. (Fig. 1)
- ⊘ Exhaust air must not be discharged into a wall cavity, unless the cavity is designed for the purpose.
- ✔ There must be adequate ventilation of the room when the canopy rangehood is used at the same time as appliances burning gas or other fuels.
- ✔ Always cover lit gas burners with pots or pans when canopy rangehood is in use.
- ✔ Always switch off gas burners before you remove pots or pans.
- ⊘ Do not leave lit gas burners exposed due to the risk of fire. (Fig. 2)

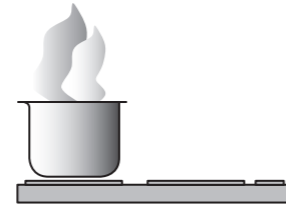
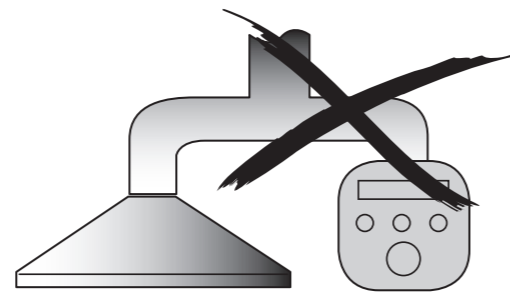


Fig. 1



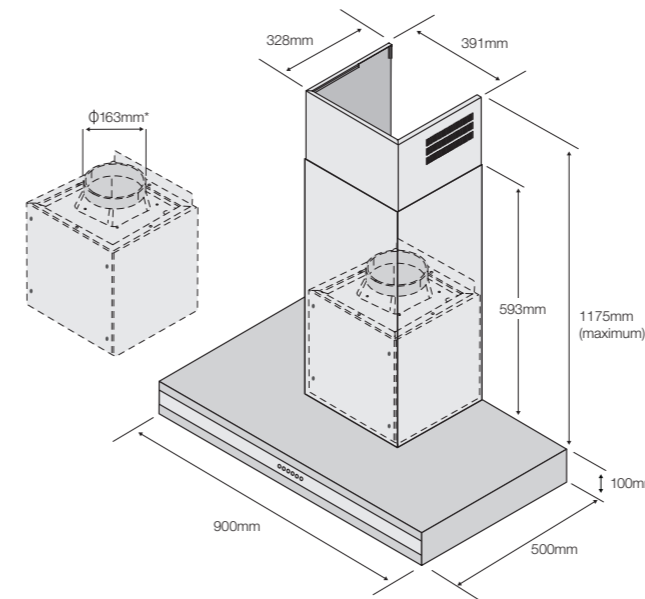
Fig. 2

Dimensions

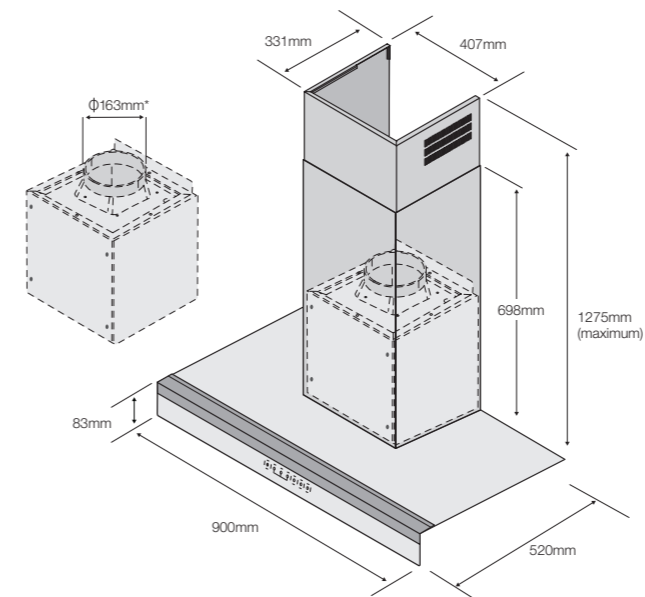
Canopy dimensions

*NOTE: *The fan housing exhaust outlet is 163mm in diameter. Use duct transition or flexible pipe supplied with the canopy rangehood as a reducer if using 150mm optional ducting accessories. (See page 9 for optional ducting accessories).*

ERCM9010AS
ERCE9020AS



ERCG9030AS



Electrical connection

- Check that the mains voltage matches with the voltage on the data plate inside the canopy rangehood.
- Check that the installation complies with standards of local gas and electricity authorities.
- If the supply cord is damaged, it must be replaced by the manufacturer or its service agent or similarly qualified person in order to avoid a hazard.

Safety warnings – For the installer

When installing the cooker hood, make sure you adhere to the minimum and maximum distances from the cooker hood base to the hob surface (as per table on right page 5).

Exhaust duct installation:

The following rules must be strictly followed to obtain optimal air extraction.

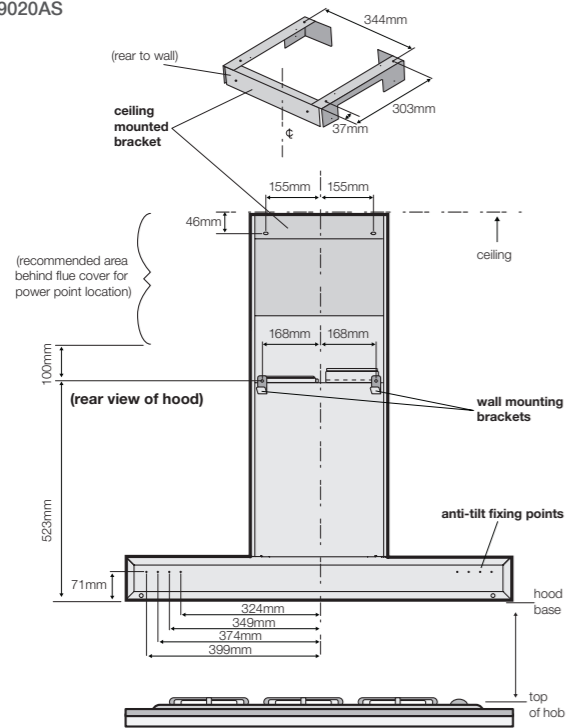
- Keep exhaust duct short and straight
- Do not reduce the size or restrict exhaust duct.
- Keep bends in the exhaust duct to a minimum.
- When using flexible duct always install duct with helix pulled taut to minimise pressure loss.
- Failure to observe these basic instructions will drastically reduce the performance and increase the noise levels of the cooker hood.

Exhaust air must not be discharged into a wall cavity, unless the cavity is designed for that purpose.

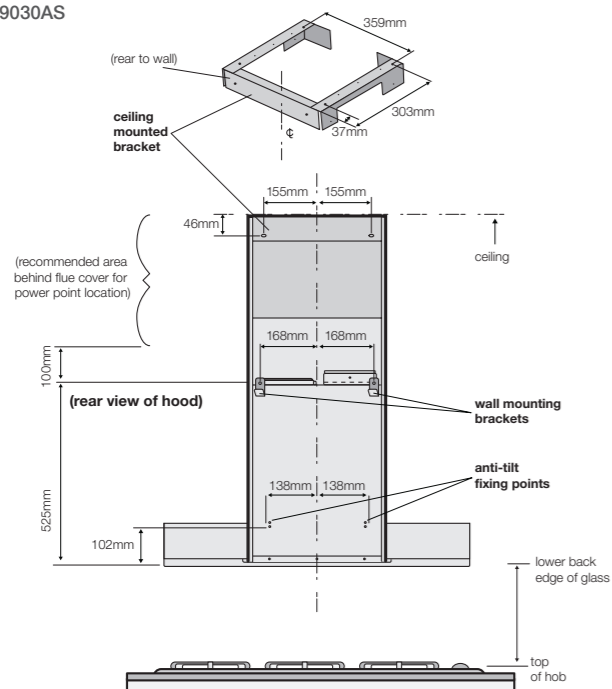
The exhaust from the cooker hood must not be discharged into any heating flue, which may carry combustion products from other sources.

Rangehood installation

ERCM9010AS
ERCE9020AS



ERCG9030AS



Installation sequence

1. Using a spirit level mark a vertical centre line on the wall where the hood is to be positioned, and a horizontal line at the hood base position (refer diagram bottom left).

NOTE: The height of the underside of the hood body must be a minimum of 600mm above an electric cooktop & 650mm above a gas cook top and a maximum height of 800mm (see table right).

Distance from hood base to top of hob		
hob type	minimum*	maximum
gas	650mm	800mm
electric	600mm	800mm

* If the instructions of the hob specify a greater distance than the minimum above, then that shall be the minimum height for installation

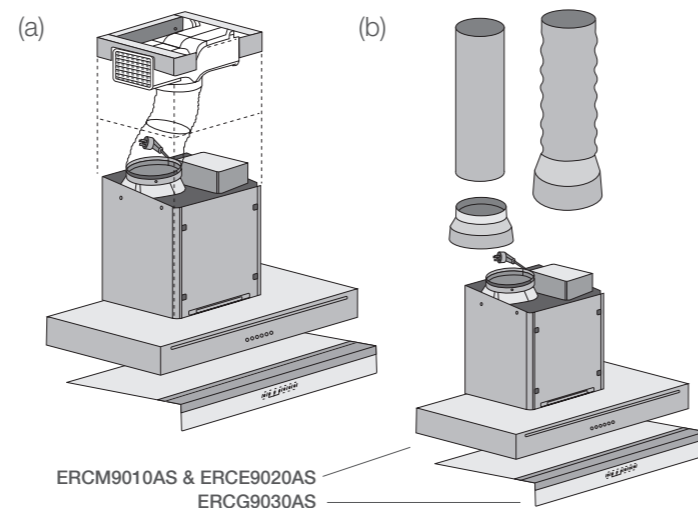
2. Mark the location for the wall and ceiling bracket fixing points above the hood base using the hood base as the reference point (refer diagram left).
3. Install wall and ceiling mounting brackets with suitable screws (to support a total weight of 30kg) to the wall at the positions marked in diagram left.
4. Remove the protective plastic film from the hood body and hang hood on the mounting brackets then secure at the anti-tilt locations as indicated in diagram left.

Depending on the preferred installation/ducting mode, follow step 5a or 5b below.

- 5a. **Recirculating mode** (Fig. a). Using the centre line, secure the ceiling mount bracket to the wall using suitable screws. Attach the recirculating T-piece (optional kit AR600RK for models ERCM9010 and ERCE9020, or AR600RKG for model ERCG9030) to the ceiling mount bracket. Install flexible pipe between T-piece and fan transition outlet. Use cable ties or suitable duct tape to secure flexible pipe to T-piece.

NOTE: When installed in recirculation mode, it is recommended to use a carbon filter (included in recirculation kit AR600RK for models ERCM9010AS and ERCE9020AS, or recirculation kit AR600RKG for model ERCG9030AS, refer to page 9) to prevent odours being emitted back into the room. OR

- 5b. **Ducted mode** (Fig. b). The canopy rangehood has been supplied with flexible exhaust pipe and duct transition piece, alternatively a 150mm dia. non-combustible flue pipe can be used. Continue the centre line to the ceiling. Attach the ceiling mount bracket on the centre line. Fit preferred flue pipe to the fan transition duct.



Installation

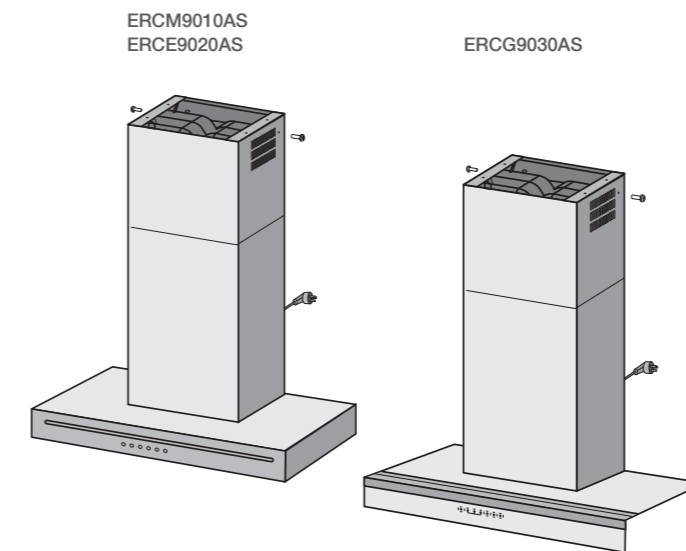
NOTE: For ducted mode, we recommend extending flue pipe through the roof to external "china hat" to vent exhaust externally. We do not recommend venting into ceiling cavity.

NOTE: Installation must be in accordance with local building regulations.

NOTE: To ensure optimum performance of the rangehood, the use of rigid ducting is recommended. The use of bends should be avoided. Rigid flexible ducting is suitable, although loose flexible ducting is unacceptable. All ducting must be fire retardant.

Installation of telescopic exhaust covers

Separate the inner and outer exhaust covers, and carefully remove the protective coating from both. Carefully reassemble the inner and outer exhaust covers sections by sliding the inner into the outer exhaust cover. Carefully lower the assembled inner and outer exhaust covers onto the top of the cooker hood body, and insert the exhaust cover into the rangehood body approximately 5mm. Fix inner (top) exhaust cover to the ceiling mounting bracket with screws supplied. Ensure that the inner (top) section is extended.



important

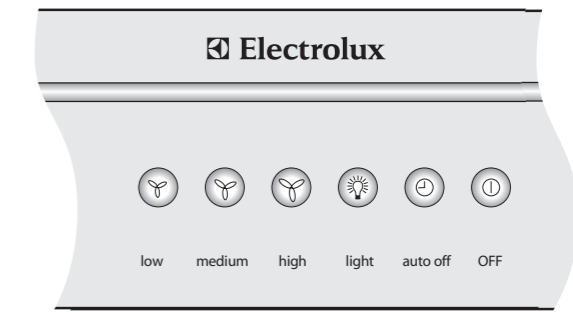
Care must be taken to ensure the screws are not cross threaded when attaching the outer flue cover.

If installed in recirculating mode, insert the optional carbon filter (included in recirculation kit AR600RK for models ERCM9010AS and ERCE9020AS, or recirculation kit AR600RKG for model ERCG9030AS).

To complete the rangehood installation, insert the filter/s to the underside of the hood body. Place back edge of filter into position and push up front edge so that the filter clips into place.

Your Electrolux rangehood is now ready to use.

Using the rangehood – ERCM9010AS



To operate Canopy

Depress any of the fan symbols, depending on desired fan speed, to turn the canopy on. Depress the OFF button to turn canopy off.

Setting the power level required

All buttons have back-lit symbols.

Fan operation – select speed to suit cooking conditions.

Low – light frying/boiling

Medium – frying/wok cooking/heavy boiling

High – grilling, intensive frying and wok cooking

To switch Lights ON and OFF

Depress the 'light' button to turn the lights ON and depress 'light' button again to turn the lights OFF.

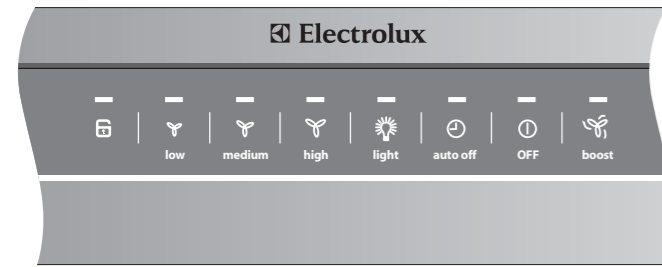
Using the Timer

At the end of cooking if the timer is switched on, the rangehood will continue to run for an additional 5 minutes to remove any odours that remain at the completion of cooking. After 5 minutes the canopy will turn itself OFF.

Auto Off

Depress 'auto off' button to turn the timer ON and depress 'auto off' button again to cancel the timer function.

Using the rangehood – ERCE9020AS



Touch screen operation

Lock – Touch and hold 'lock' button for 3 seconds to lock control interface when cleaning, touch and hold for 3 seconds to unlock control interface.

Fan – select speed to suit cooking conditions.

Low – light frying/boiling

Medium – frying/wok cooking/heavy boiling

High – grilling, intensive frying and wok cooking

Boost – increases air extraction when intense cooking & frying is taking place, which is generally over a short time frame when searing foods. On selecting the boost function the fan intensity will increase for 1 minute, then revert back to the last selected fan speed.

To switch Lights ON and OFF

Touch the 'light' button to turn the lights ON and touch 'light' button again to turn the lights OFF.

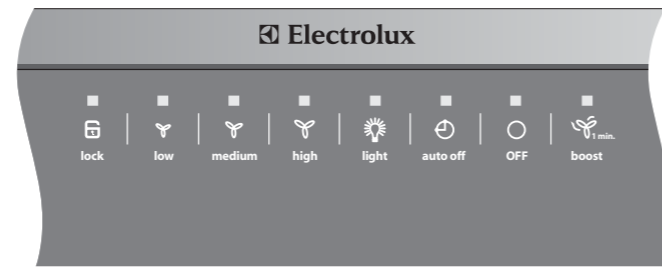
Using the Timer

At the end of cooking if the timer is switched on, the rangehood will continue to run for an additional 5 minutes to remove any odours that remain at the completion of cooking. After 5 minutes the canopy will turn itself OFF.

Auto Off

Touch 'auto off' button to turn the timer ON and touch 'auto off' button again to cancel the timer function.

Using the rangehood – ERCG9030AS



Touch screen operation

Lock – Touch and hold 'lock' button for 3 seconds to lock control interface when cleaning, touch and hold for 3 seconds to unlock control interface.

Fan – select speed to suit cooking conditions.

Low – light frying/boiling

Medium – frying/wok cooking/heavy boiling

High – grilling, intensive frying and wok cooking

Boost – increases air extraction when intense cooking & frying is taking place, which is generally over a short time frame when searing foods. On selecting the boost function the fan intensity will increase for 1 minute, then revert back to the last selected fan speed.

To switch Lights ON and OFF

Touch the 'light' button to turn the lights ON and depress 'light' button again to turn the lights OFF.

Using the Timer

At the end of cooking if the timer is switched on, the rangehood will continue to run for an additional 5 minutes to remove any odours that remain at the completion of cooking. After 5 minutes the canopy will turn itself OFF.

Auto Off

Touch 'auto off' button to turn the timer ON and depress 'auto off' button again to cancel the timer function.

Maintenance and cleaning



caution

- **Before maintenance or cleaning is carried out, the canopy rangehood should be disconnected from the main power supply. Ensure that the rangehood is switched off at the wall socket and the plug removed.**
- **External surfaces are susceptible to scratches and abrasions, so please follow the cleaning instructions to ensure the best possible result is achieved without damage.**

Stainless steel surface

Clean stainless steel surfaces using non-abrasive cleaning products that are specifically for use on stainless steel.

To ensure best results also use an even pressure and follow the grain of the stainless steel. Use of a soft cloth reduces the risk of scratching. If the cloth is wet ensure that a dry soft cloth is used to wipe down the surface again reducing the risk of any surface rust appearing.

Control panel surface

The inlay control panel can be cleaned using warm soapy water. Ensure the cloth is well wrung before cleaning. Use a dry soft cloth to remove any excess moisture left after cleaning.

Grease filters

The mesh filters can be cleaned either by hand or in the dishwasher. After cleaning ensure that the filters are completely dry before refitting.

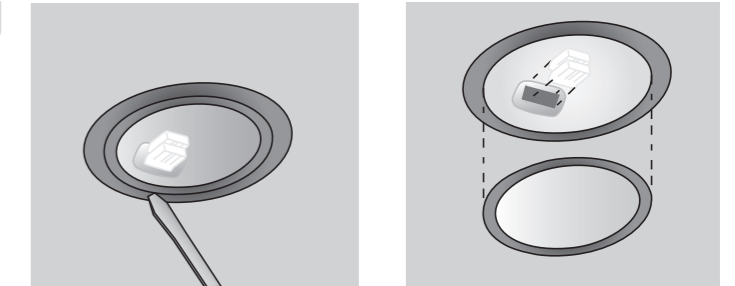
By hand: Soak in warm water and some washing up liquid. For stubborn grease stains use a soft nylon brush to help remove these stains.

In a dishwasher: Ensure that placement of the filters is made so as to not impede the function of the spray arm. Washing the filters in a dishwasher may cause discolouration of the aluminium inner mesh over time although it will not affect their performance. Filters should be washed separately to crockery and kitchen utensils.

Glass fascia

The glass fascia on model ERCG9030AS can be cleaned with window cleaner or a mild detergent and hot water and paper towelling.

Changing the halogen lamps



Using a small flat blade screwdriver remove the inner stainless steel ring to obtain access to the halogen globe. When removing the inner ring, do so carefully, as the glass lens could easily fall out of the inner ring. Remove halogen globe, whilst cool, and replace carefully with a new globe.

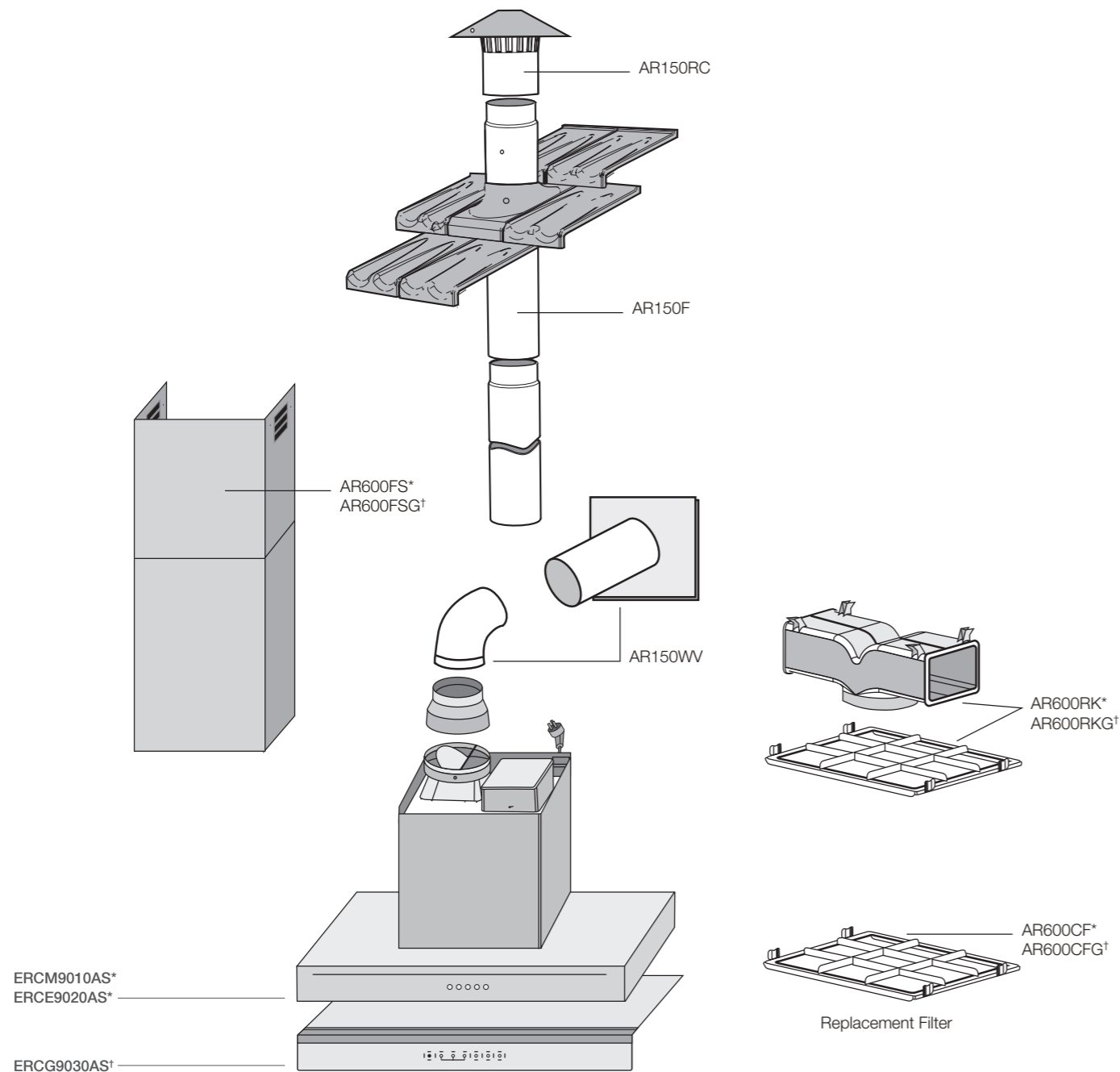
The rangehood takes 2 x 20W, 12 volt halogen globes.



important

When handling globes hold with a cloth or gloves to ensure perspiration does not come in contact with the globe as this can reduce the life of the globe.

Optional ducting accessories



NOTE: Accessories are to be purchased separately.

Part Numbers		
Part Numbers	Part Numbers	Description
ERCM9010AS* & ERCE9020AS*	ERCG9030AS†	
AR150RC	AR150RC	150mm G/Bond Roof Cowl
AR150F	AR150F	150mm G/Bond Flue 1200mm
AR150WV	AR150WV	150mm Wall Vent + Flexi Duct
AR600RK*	AR600RKG†	Recirculating Kit
AR600CF*	AR600CFG†	Replacement carbon mat filter
AR600FS*	AR600FSG†	Stainless steel exhaust cover extension 1200mm

Electrolux Warranty

FOR SALES IN AUSTRALIA AND NEW ZEALAND
APPLIANCE: RANGEHOOD

This document sets out the terms and conditions of the product warranties for Electrolux Appliances. It is an important document. Please keep it with your proof of purchase documents in a safe place for future reference should you require service for your Appliance.

- In this warranty
 - 'acceptable quality' as referred to in clause 10 of this warranty has the same meaning referred to in the ACL;
 - 'ACL' means Trade Practices Amendment (Australian Consumer Law) Act (No.2) 2010;
 - 'Appliance' means any Electrolux product purchased by you accompanied by this document;
 - 'ASC' means Electrolux' authorised serviced centres;
 - 'Electrolux' means Electrolux Home Products Pty Ltd of 163 O'Riordan Street, Mascot, NSW 2020, ABN 51 004 762 341 in respect of Appliances purchased in Australia and Electrolux (NZ) Limited of 3-5 Niall Burgess Road, Mount Wellington, in respect of Appliances purchased in New Zealand;
 - 'major failure' as referred to in clause 10 of this warranty has the same meaning referred to in the ACL and includes a situation when an Appliance cannot be repaired or it is uneconomic for Electrolux, at its discretion, to repair an Appliance during the Warranty Period;
 - 'Warranty Period' means:
 - where the Appliance is used for personal, domestic or household use (i.e. normal single family use) as set out in the instruction manual, the Appliance is warranted against manufacturing defects in Australia for 24 months and in New Zealand for 24 months, following the date of original purchase of the Appliance;
 - where the Appliance is used for commercial purposes (including being used to directly assist a business or where the Appliance is used in a multi-family communal or share type environment), the Appliance will then be warranted against manufacturing defects in Australia for 3 months and in New Zealand for 3 months, following the date of original purchase of the Appliance.
 - 'you' means the purchaser of the Appliance not having purchased the Appliance for re-sale, and 'your' has a corresponding meaning.
 - This warranty only applies to Appliances purchased and used in Australia or New Zealand and is in addition to (and does not exclude, restrict, or modify in any way) any non-excludable statutory warranties in Australia or New Zealand.
 - During the Warranty Period Electrolux or its ASC will, at no extra charge if your Appliance is readily accessible for service, without special equipment and subject to these terms and conditions, repair or replace any parts which it considers to be defective. Electrolux or its ASC may use remanufactured parts to repair your Appliance. You agree that any replaced Appliances or parts become the property of Electrolux. This warranty does not apply to light globes, batteries, filters or similar perishable parts.
 - Parts and Appliances not supplied by Electrolux are not covered by this warranty.
 - You will bear the cost of transportation, travel and delivery of the Appliance to and from Electrolux or its ASC. If you reside outside of the service area, you will bear the cost of:
 - travel of an authorised representative;
 - transportation and delivery of the Appliance to and from Electrolux or its ASC,
- In all instances, unless the Appliance is transported by Electrolux or an Electrolux authorised representative, the Appliance is transported at the owner's cost and risk while in transit to and from Electrolux or its ASC.
- Proof of purchase is required before you can make a claim under this warranty.
 - You may not make a claim under this warranty unless the defect claimed is due to faulty or defective parts or workmanship. Electrolux is not liable in the following situations (which are not exhaustive):
 - the Appliance is damaged by:
 - accident
 - misuse or abuse, including failure to properly maintain or service
 - normal wear and tear
 - power surges, electrical storm damage or incorrect power supply
 - incomplete or improper installation
 - incorrect, improper or inappropriate operation
 - insect or vermin infestation
 - failure to comply with any additional instructions supplied with the Appliance;
 - the Appliance is modified without authority from Electrolux in writing;
 - the Appliance's serial number or warranty seal has been removed or defaced;
 - the Appliance was serviced or repaired by anyone other than Electrolux, an authorised repairer or ASC.
 - This warranty, the contract to which it relates and the relationship between you and Electrolux are governed by the law applicable where the Appliance was purchased. Where the Appliance was purchased in New Zealand for business purposes the Consumer Guarantee Act does not apply.
 - To the extent permitted by law, Electrolux excludes all warranties and liabilities (other than as contained in this document) including liability for any loss or damage whether direct or indirect arising from your purchase, use or non use of the Appliance.
 - For Appliances and services provided by Electrolux in Australia, the Appliances come with a guarantee by Electrolux that cannot be excluded under the Australian Consumer Law. You are entitled to a replacement or refund for a major failure and for compensation for any other reasonably foreseeable loss or damage. You are also entitled to have the Appliance repaired or replaced if the Appliance fails to be of acceptable quality and the failure does not amount to a major failure. The benefits to you given by this warranty are in addition to your other rights and remedies under a law in relation to the Appliances or services to which the warranty relates.
 - At all times during the Warranty Period, Electrolux shall, at its discretion, determine whether repair, replacement or refund will apply if an Appliance has a valid warranty claim applicable to it.
 - For Appliances and services provided by Electrolux in New Zealand, the Appliances come with a guarantee by Electrolux pursuant to the provisions of the Consumer Guarantees Act, the Sale of Goods Act and the Fair Trading Act.
 - To enquire about claiming under this warranty, please follow these steps:
 - carefully check the operating instructions, user manual and the terms of this warranty;
 - have the model and serial number of the Appliance available;
 - have the proof of purchase (eg an invoice) available;
 - telephone the numbers shown below.
 - You accept that if you make a warranty claim, Electrolux and its ASC may exchange information in relation to you to enable Electrolux to meet its obligations under this warranty.

Important Notice

Before calling for service, please ensure that the steps listed in point 13 above have been followed.

<p>FOR SERVICE or to find the address of your nearest state service centre in Australia PLEASE CALL 13 13 49 <small>For the cost of a local call (Australia only)</small></p>	<p>SERVICE AUSTRALIA Electrolux ELECTROLUX HOME PRODUCTS www.electrolux.com.au</p>	<p>FOR SPARE PARTS or to find the address of your nearest state spare parts centre in Australia PLEASE CALL 13 13 50 <small>For the cost of a local call (Australia only)</small></p>
<p>FOR SERVICE or to find the address of your nearest authorised service centre in New Zealand FREE CALL 0800 10 66 10 <small>(New Zealand only)</small></p>	<p>SERVICE NEW ZEALAND Electrolux ELECTROLUX HOME PRODUCTS www.electrolux.co.nz</p>	<p>FOR SPARE PARTS or to find the address of your nearest state spare parts centre in New Zealand FREE CALL 0800 10 66 20 <small>(New Zealand only)</small></p>

GRH_Warr_Apr11



Electrolux Home Products Australia

telephone: 1300 363 640

fax: 1800 350 067

email: customercare@electrolux.com.au

web: www.electrolux.com.au

The Thoughtful Design Innovator.

Do you remember the last time you opened a gift that made you say "Oh! How did you know? That's exactly what I wanted!" That's the kind of feeling that the designers at Electrolux seek to evoke in everyone who chooses or uses one of our products. We devote time, knowledge, and a great deal of thought to anticipating and creating the kind of appliances that our customers really need and want.

This kind of thoughtful care means innovating with insight. Not design for design's sake, but design for the user's sake. For us, thoughtful design means making appliances easier to use and tasks more enjoyable to perform, freeing our customers to experience that ultimate 21st century luxury, ease of mind. Our aim is to make this ease of mind more available to more people in more parts of their everyday lives, all over the world. So when we say we're thinking of you, you know we mean just that.

Electrolux. Thinking of you.

Share more of our thinking at www.electrolux.com.au

P/No. 305469302/H

© Copyright 2011 Electrolux Home Products Pty Ltd
ABN 51 004 762 341

ELINERANUM_Jun11