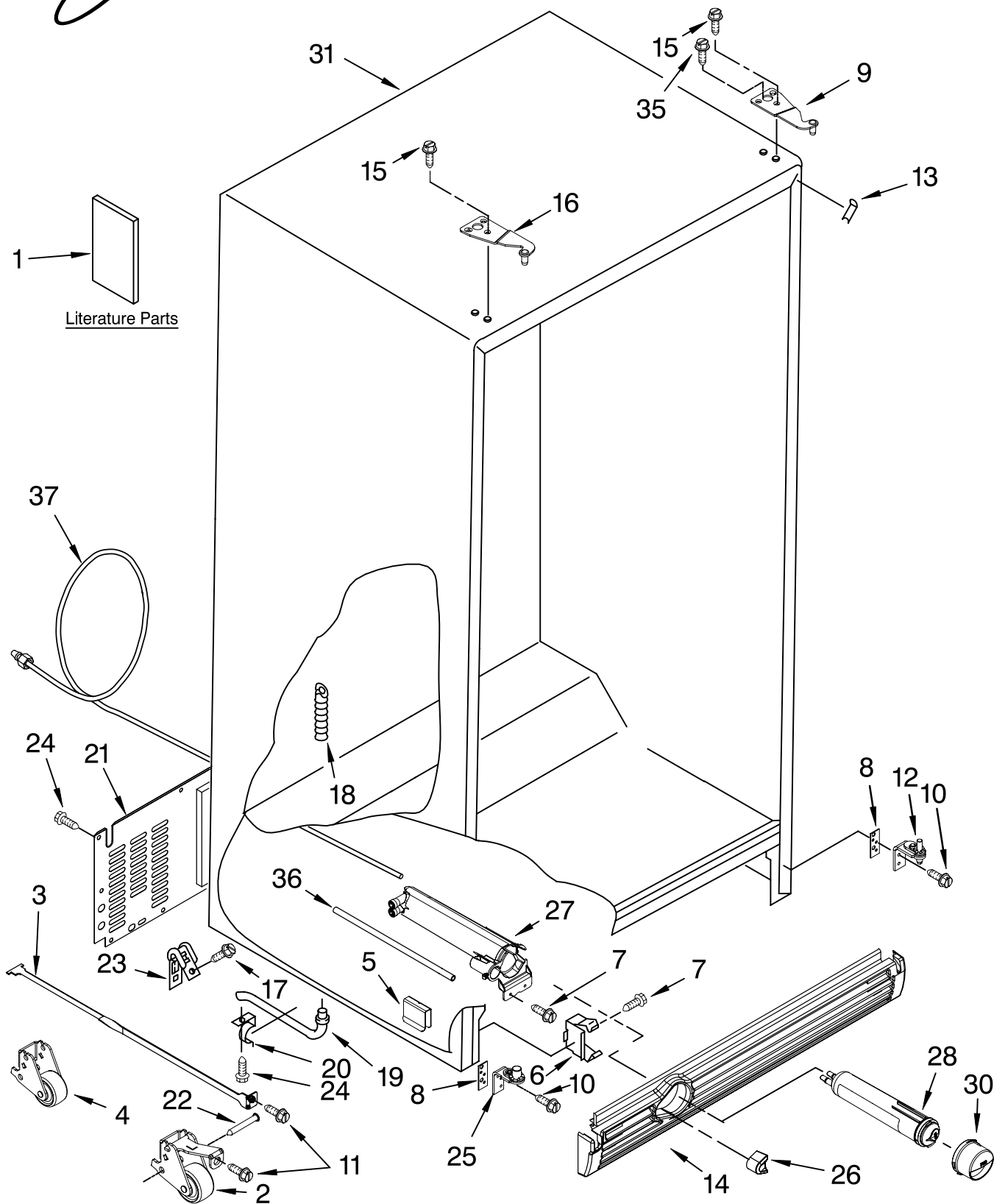


# CABINET PARTS

REFRIGERATOR

For Models: GC3SHEXNQ00, GC3SHEXNT00, GC3SHEXNB00, GC3SHEXNS00

(White) (Biscuit) (Black) (Stainless Steel)



FOR ORDERING INFORMATION REFER TO PARTS PRICE LIST

# CABINET PARTS

For Models: GC3SHEXNQ00, GC3SHEXNT00, GC3SHEXNB00, GC3SHEXNS00

(White)

(Biscuit)

(Black)

(Stainless Steel)

| Illus. No. | Part No. | DESCRIPTION                    | Illus. No. | Part No. | DESCRIPTION               | Illus. No. | Part No. | DESCRIPTION                      |
|------------|----------|--------------------------------|------------|----------|---------------------------|------------|----------|----------------------------------|
| 1          |          | Literature Parts               | 11         | 3400243  | Screw                     | 24         | 489084   | Screw                            |
|            | 2306981  | Use & Care Guide               | 12         | 2223520  | Hinge Assembly, Bottom-RC | 25         | 2223460  | Hinge Assembly, Bottom-FC        |
|            | 2223419  | Service & Wiring Sheet         |            |          |                           | 26         |          | Button, Water Filter             |
|            | 2223996  | Installation Instructions      | 13         |          | Filler, Wrapper           |            |          |                                  |
|            | 2308412  | Energy Guide                   |            | 2223893W | White                     |            | 2260503W | White                            |
|            | 628370   | Modular Icemaker Service Sheet |            | 2223893T | Biscuit                   |            | 2260503T | Biscuit                          |
| 2          |          | Front Roller Asm               |            | 2223893B | Black                     |            | 2260503B | Black                            |
|            | 2306950  | Left Side                      | 14         |          | Grille                    | 27         | 2260526  | Housing, Water Filter            |
|            | 2306951  | Right Side                     |            | 2223514W | White                     | 28         | 4396710  | Water Filter                     |
| 3          | 2223263  | Strap, Roller                  |            | 2223514T | Biscuit                   | 30         |          | Cap, Water Filter                |
| 4          | 2306949  | Roller, Rear (2)               | 15         | 3400108  | Screw                     |            |          |                                  |
| 5          | 2223388  | Clip, Retainer (4)             | 16         |          | Hinge, Top FC             |            | 2260518W | White                            |
| 6          | 2155013  | Clip, Grille                   |            | 2307007W | White                     |            | 2260518T | Biscuit                          |
| 7          | 489478   | Screw                          |            | 2307007T | Biscuit                   |            | 2260518B | Black                            |
| 8          | 2223545  | Shim                           | 17         | 489464   | Screw                     | 31         |          | Cabinet (Not A Serviceable Part) |
| 9          |          | Hinge Top, RC                  | 18         | 940139   | Drain Fitting             | 35         | 3400858  | Screw                            |
|            | 2307008W | White                          | 19         | 2199954  | Tube, Extension           | 36         | 2224020  | Tube, Filter Outlet              |
|            | 2307008T | Biscuit                        | 20         | 1108439  | Clip, Drain Tube          | 37         | 2305536  | Tube, Filter Inlet               |
|            | 2307008B | Black                          | 21         | 2223409  | Cover, Unit               |            |          |                                  |
| 10         | 3400113  | Screw                          | 22         | 2223387  | Pin, Roller (4)           |            |          |                                  |
|            |          |                                | 23         | 549193   | Clamp, Service Cord       |            |          |                                  |

# REFRIGERATOR LINER PARTS

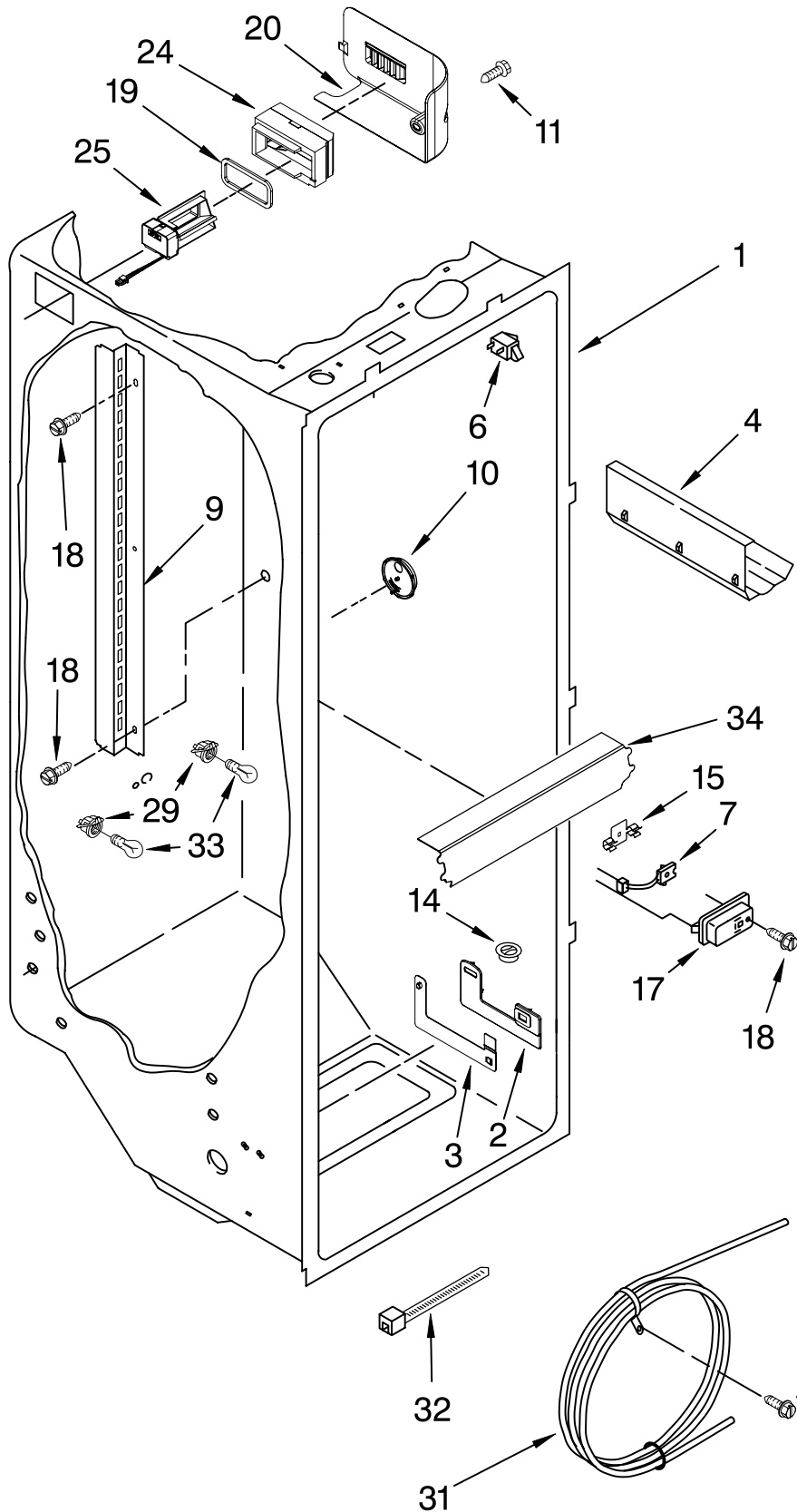
For Models: GC3SHEXNQ00, GC3SHEXNT00, GC3SHEXNB00, GC3SHEXNS00

(White)

(Biscuit)

(Black)

(Stainless Steel)



| Illus. No. | Part No. | DESCRIPTION                    |
|------------|----------|--------------------------------|
| 1          |          | Liner (Not A Serviceable Part) |
| 2          | 2223338  | Escutcheon, Meat Pan Control   |
| 3          | 2223339  | Slide Meat Pan Control         |
| 4          | 2179404K | Wine Rack                      |
| 6          | 1118894  | Switch, Rocker Arm             |
| 7          | 2188820  | Thermistor                     |
| 9          | 2206273  | Ladder, Shelf (2)              |
| 10         | 2261601  | Housing, Door Control          |
| 11         | 489084   | Screw                          |
| 14         | 2171846  | Release Valve                  |
| 15         | 2209204  | Clip, Thermistor               |
| 17         | 1116793  | Cover, Thermistor              |
| 18         | 489478   | Screw                          |
| 19         | 2304597  | Gasket, Air Baffle             |
| 20         | 2223403  | Cover, Air Baffle              |
| 24         | 2224076  | Air Diffuser Assembly          |
| 25         | 2220377  | Air Baffle                     |
| 29         | 2162085  | Socket                         |
| 31         | 2223876  | Reservoir                      |
| 32         | 2205813  | Strap                          |
| 33         | 2255743  | Light Bulb                     |
| 34         | 2223663  | Light Lens                     |
| 37         | 488280   | Screw                          |

FOR ORDERING INFORMATION REFER TO PARTS PRICE LIST

# REFRIGERATOR SHELF PARTS

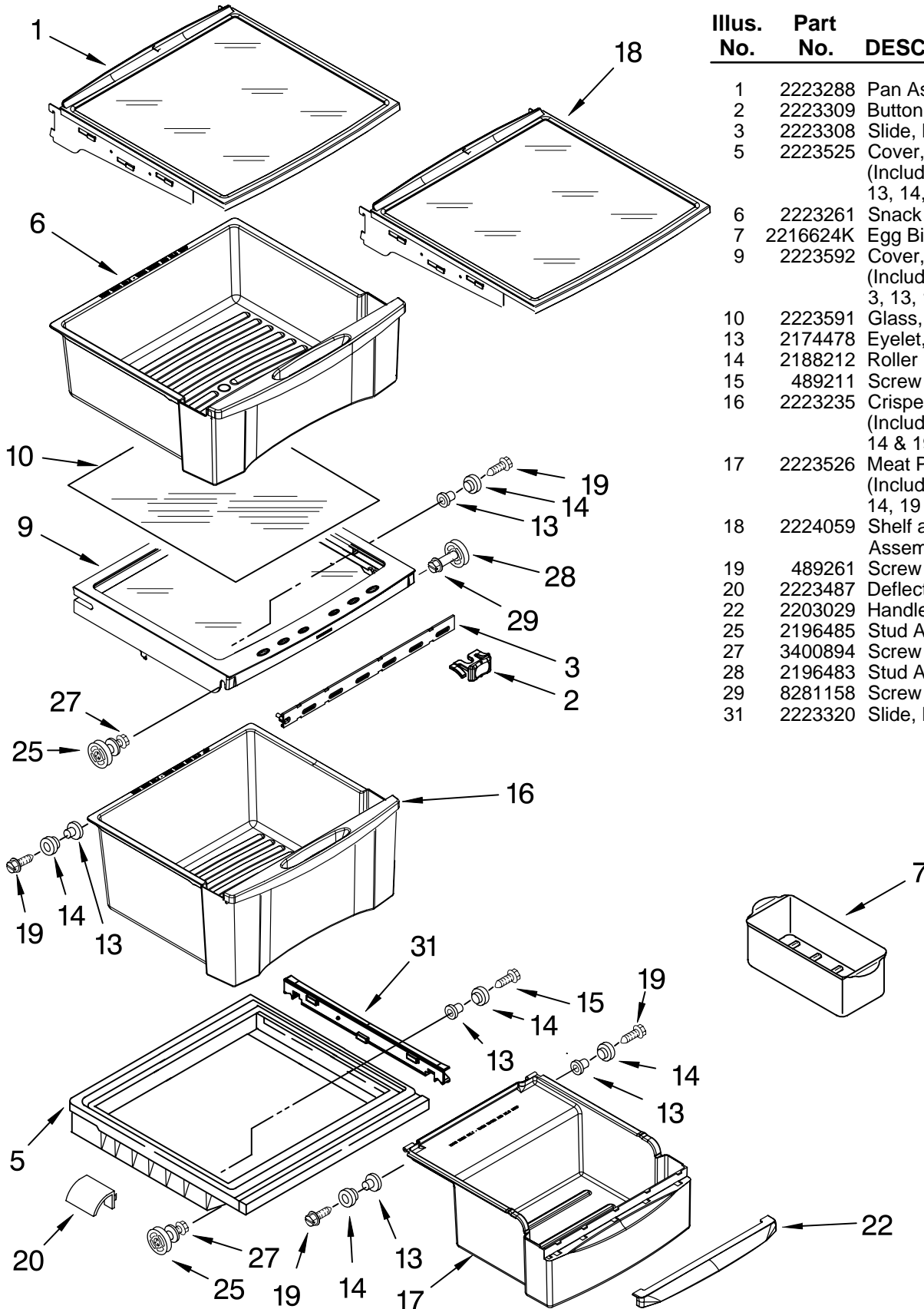
For Models: GC3SHEXNQ00, GC3SHEXNT00, GC3SHEXNB00, GC3SHEXNS00

(White)

(Biscuit)

(Black)

(Stainless Steel)



| Illus. No. | Part No. | DESCRIPTION |
|------------|----------|-------------|
|------------|----------|-------------|

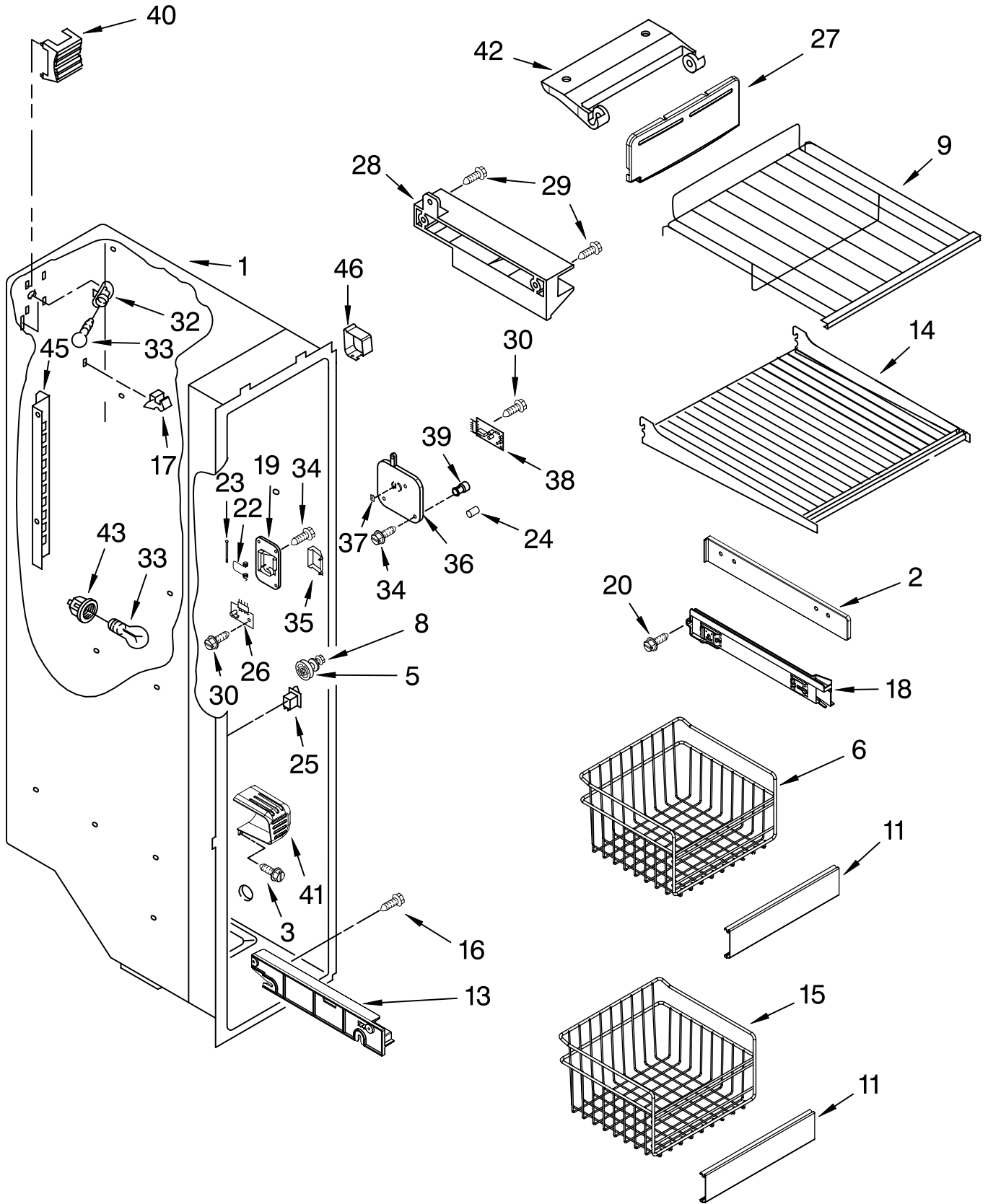
|    |          |   |
|----|----------|---|
| 1  | 2223288  | Pan Assembly  |
| 2  | 2223309  | Button, Humidity                                    |
| 3  | 2223308  | Slide, Humidity                                     |
| 5  | 2223525  | Cover, Meat Pan<br>(Includes Items 13, 14, 15 & 20) |
| 6  | 2223261  | Snack Pan   |
| 7  | 2216624K | Egg Bin   |
| 9  | 2223592  | Cover, Crisper<br>(Includes 2, 3, 13, 14 & 19)      |
| 10 | 2223591  | Glass, Cover  |
| 13 | 2174478  | Eyelet, Roller                                      |
| 14 | 2188212  | Roller  |
| 15 | 489211   | Screw   |
| 16 | 2223235  | Crisper Pan<br>(Includes 13, 14 & 19)               |
| 17 | 2223526  | Meat Pan<br>(Includes 13, 14, 19 & 22)              |
| 18 | 2224059  | Shelf and Frame Assembly (3)                        |
| 19 | 489261   | Screw   |
| 20 | 2223487  | Deflector   |
| 22 | 2203029  | Handle  |
| 25 | 2196485  | Stud Assembly                                       |
| 27 | 3400894  | Screw   |
| 28 | 2196483  | Stud Assembly                                       |
| 29 | 8281158  | Screw   |
| 31 | 2223320  | Slide, Pan  |

FOR ORDERING INFORMATION REFER TO PARTS PRICE LIST

# FREEZER LINER PARTS

For Models: GC3SHEXNQ00, GC3SHEXNT00, GC3SHEXNB00, GC3SHEXNS00

(White) (Biscuit) (Black) (Stainless Steel)



FOR ORDERING INFORMATION REFER TO PARTS PRICE LIST

# FREEZER LINER PARTS

For Models: GC3SHEXNQ00, GC3SHEXNT00, GC3SHEXNB00, GC3SHEXNS00

(White)                      (Biscuit)                      (Black)                      (Stainless Steel)

| Illus.<br>No. | Part<br>No. | DESCRIPTION                    |
|---------------|-------------|--------------------------------|
| 1             |             | Liner (Not A Serviceable Part) |
| 2             | 2223777     | Spacer, Slide (2)              |
| 3             | 3400893     | Screw                          |
| 5             | 2196483     | Stud Assembly                  |
| 6             | 2223690     | Basket, Deep (2)               |
| 8             | 8281158     | Screw                          |
| 9             | 2223500     | Shelf Assembly, Cantilever (2) |
| 11            | 2223782     | Front, Basket                  |
| 13            |             | Shelf Track                    |
|               | 2223787     | Right Side                     |
|               | 2223788     | Left Side                      |
| 14            | 2223681     | Shelf, Fixed                   |
| 15            | 2223692     | Basket, Lower                  |
| 16            | 486298      | Screw                          |
| 17            | 842534      | Clip, Air Duct (2)             |
| 18            |             | Glide Assembly, Basket (2)     |
|               | 2301544     | Right Side                     |
|               | 2301545     | Left Side                      |
| 19            | 2223991     | Cover, Emitter                 |
| 20            | 8534064     | Screw                          |
| 22            | 2198635     | Spring                         |
| 23            | 2198634     | Pin                            |
| 24            | 2198665     | Tube, P.C. Board               |
| 25            | 1115373     | Switch, Rocker Arm             |
| 26            | 2220398     | P.C. Board Emitter             |
| 27            | 2223321     | Cover, Ice Maker               |
| 28            |             | Slide, Ice Maker Mounting      |
|               | 2212321     | Right Side                     |
|               | 2306900     | Left Side                      |
| 29            | 489478      | Screw                          |
| 30            | 489214      | Screw                          |
| 32            | 2162085     | Light Socket                   |
| 33            | 2255743     | Light Bulb                     |
| 34            | 8281185     | Screw                          |
| 35            | 2198633     | Flipper                        |
| 36            | 2255558     | Cover, Receiver                |
| 37            | 2255562     | Slide, Ice Maker Shut Off      |
| 38            | 2255114     | P.C. Board, Receiver           |
| 39            | 2198643     | Lens                           |
| 40            | 2198589     | Light Shield                   |
| 41            | 2212340     | Light Lens                     |
| 42            | 2198641     | Bracket, Ice Maker Cover       |
| 43            | 2155597     | Socket, Light                  |
| 45            |             | Ladder                         |
|               | 2198609     | Left Side                      |
|               | 2198610     | Right Side                     |
| 46            | 2306901     | Shield, Wiring                 |

FOR ORDERING INFORMATION REFER TO PARTS PRICE LIST

# MOTOR AND ICE CONTAINER PARTS

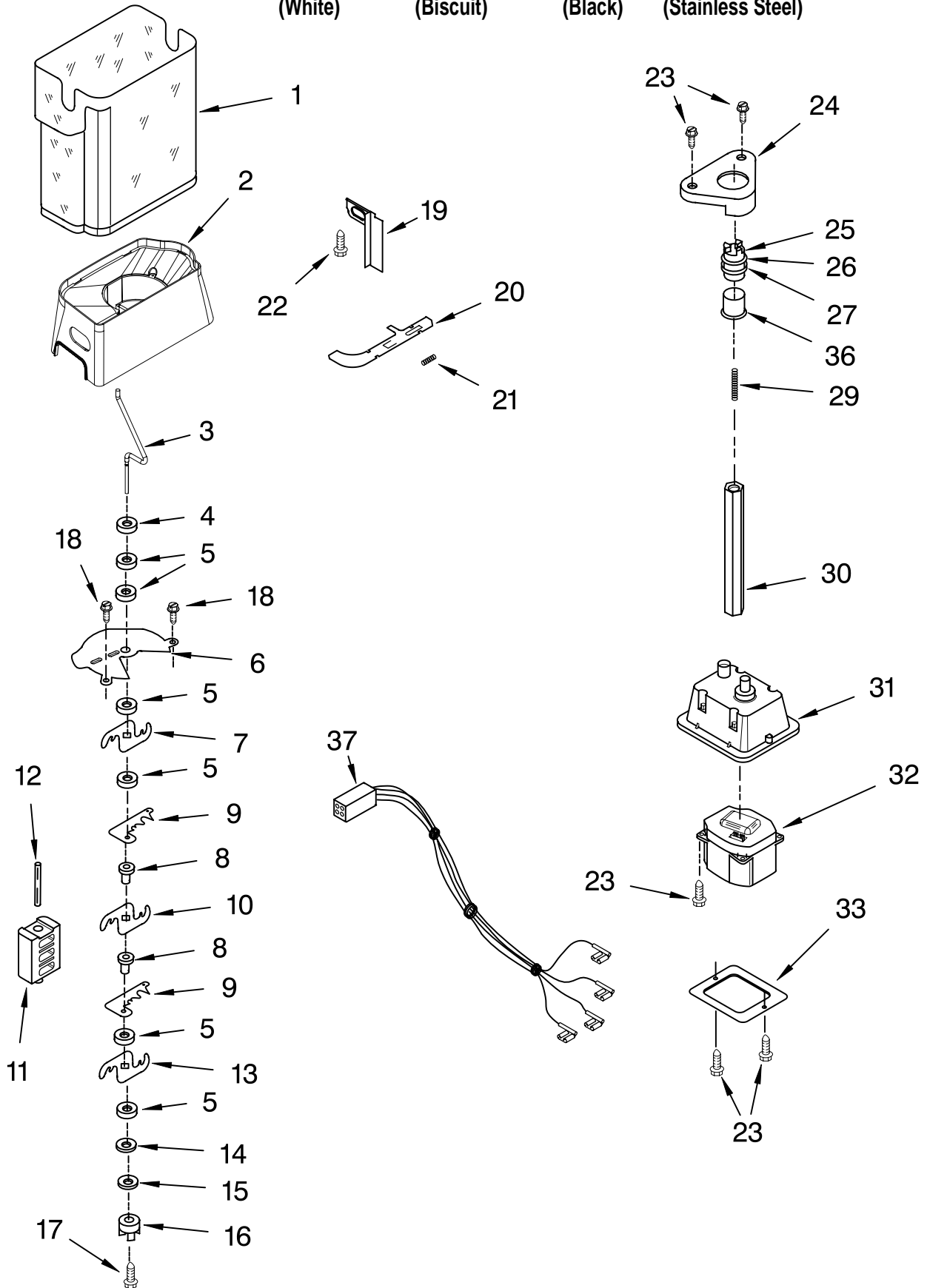
For Models: GC3SHEXNQ00, GC3SHEXNT00, GC3SHEXNB00, GC3SHEXNS00

(White)

(Biscuit)

(Black)

(Stainless Steel)



FOR ORDERING INFORMATION REFER TO PARTS PRICE LIST

# MOTOR AND ICE CONTAINER PARTS

For Models: GC3SHEXNQ00, GC3SHEXNT00, GC3SHEXNB00, GC3SHEXNS00

(White)

(Biscuit)

(Black)

(Stainless Steel)

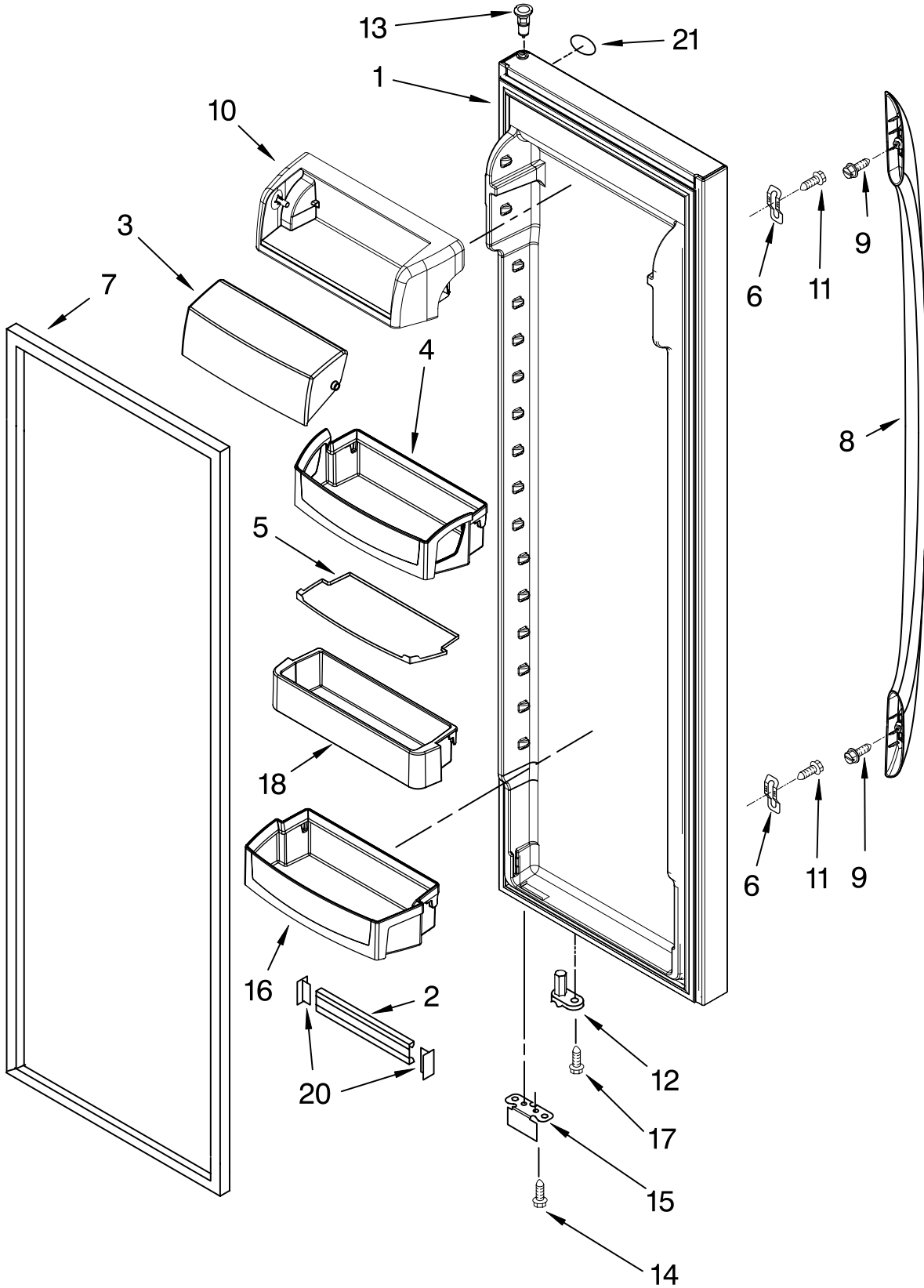
| <b>Illus. No.</b> | <b>Part No.</b> | <b>DESCRIPTION</b>         |
|-------------------|-----------------|----------------------------|
| 1                 | 2223317         | Ice Bin                    |
| 2                 | 2255574         | Crusher Bin                |
| 3                 | 2258222         | Auger                      |
| 4                 | 2258220         | Washer                     |
| 5                 | 1119007         | Spacer, Flat (6)           |
| 6                 | 2255460         | Cover, Crusher             |
| 7                 | 2257022         | Blade, Rotary              |
| 8                 | 1119005         | Spacer, Step (2)           |
| 9                 | 2257020         | Blade, Fixed               |
| 10                | 2257023         | Blade, Rotary              |
| 11                | 2198602         | Block, Blade               |
| 12                | 489229          | Roll Pin                   |
| 13                | 2257024         | Blade, Rotary              |
| 14                | 489235          | Washer, Plain              |
| 15                | 2198661         | Washer, Coupling           |
| 16                | 2220457         | Coupling                   |
| 17                | 8281164         | Screw                      |
| 18                | 3400065         | Screw                      |
| 19                | 2255575         | Button, Bin                |
| 20                | 2212371         | Latch, Bin                 |
| 21                | 2198608         | Spring, Latch              |
| 22                | 2198671         | Screw                      |
| 23                | 8281163         | Screw                      |
| 24                | 2212369         | Holder                     |
| 25                | 2220458         | Coupling, Bottom           |
| 26                | 2198628         | Seal                       |
| 27                | 2212370         | Washer                     |
| 29                | 2198607         | Spring                     |
| 30                | 999536          | Drive Shaft                |
| 31                | 2256154         | Enclosure, Motor           |
| 32                | 2188860         | Dispenser, Motor           |
| 33                | 2212305         | Cover                      |
| 36                | 2212365         | Sleeve, Coupling           |
| 37                | 2187725         | Wire Harness,<br>IDI Motor |

FOR ORDERING INFORMATION REFER TO PARTS PRICE LIST



# REFRIGERATOR DOOR PARTS

For Models: GC3SHEXNQ00, GC3SHEXNT00, GC3SHEXNB00, GC3SHEXNS00  
 (White)            (Biscuit)            (Black)            (Stainless Steel)



FOR ORDERING INFORMATION REFER TO PARTS PRICE LIST

# REFRIGERATOR DOOR PARTS

For Models: GC3SHEXNQ00, GC3SHEXNT00, GC3SHEXNB00, GC3SHEXNS00

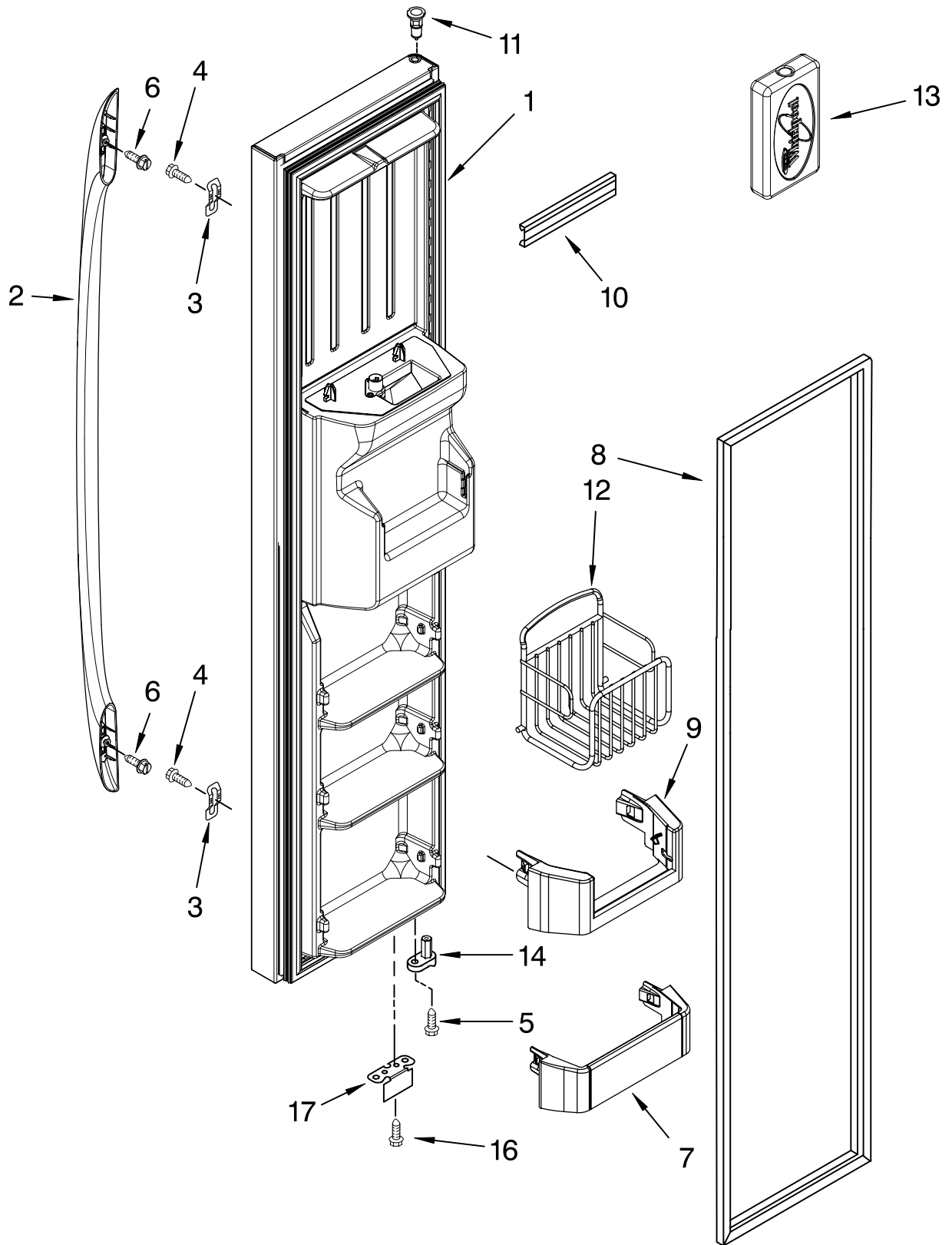
(White) (Biscuit) (Black) (Stainless Steel)

| Illus. No. | Part No. | DESCRIPTION                        |
|------------|----------|------------------------------------|
| 1          |          | Refrigerator Door<br>(Includes #7) |
|            | 2223835W | White                              |
|            | 2223835T | Biscuit                            |
|            | 2223835B | Black                              |
|            | 2224132S | Stainless Steel                    |
| 2          | 2203087K | Trim, Shelf                        |
| 3          | 2255421  | Dairy Door                         |
| 4          | 2223463K | Door Bin                           |
| 5          | 2223464K | Mat, Bin (3)                       |
| 6          | 2255411  | Clip, Mounting                     |
| 7          |          | Door Gasket,<br>Magnetic           |
|            | 2223841  | Mist Beige                         |
|            | 2223911  | Black                              |
| 8          |          | Handle                             |
|            | 2305993W | White                              |
|            | 2305993T | Biscuit                            |
|            | 2305993B | Black                              |
| 9          | 8533920  | Screw                              |
| 10         | 2223879  | Dairy Compartment                  |
| 11         | 489491   | Screw                              |
| 12         | 2182178  | Door Closer,<br>Upper Cam          |
| 13         | 2308091  | Thimble, Top                       |
| 14         | 489420   | Screw                              |
| 15         |          | Bracket, Door Stop                 |
|            | 2306940  | Chrome                             |
|            | 2306940B | Black                              |
| 16         | 2223239K | Door Bin (2)                       |
| 17         | 3400012  | Screw                              |
| 18         | 2224173  | Door Bin,<br>Shallow               |
| 20         | 2156006K | Plug, Trim                         |
| 21         | 2220214  | Nameplate                          |

FOR ORDERING INFORMATION REFER TO PARTS PRICE LIST

# FREEZER DOOR PARTS

For Models: GC3SHEXNQ00, GC3SHEXNT00, GC3SHEXNB00, GC3SHEXNS00  
(White) (Biscuit) (Black) (Stainless Steel)



FOR ORDERING INFORMATION REFER TO PARTS PRICE LIST

# FREEZER DOOR PARTS

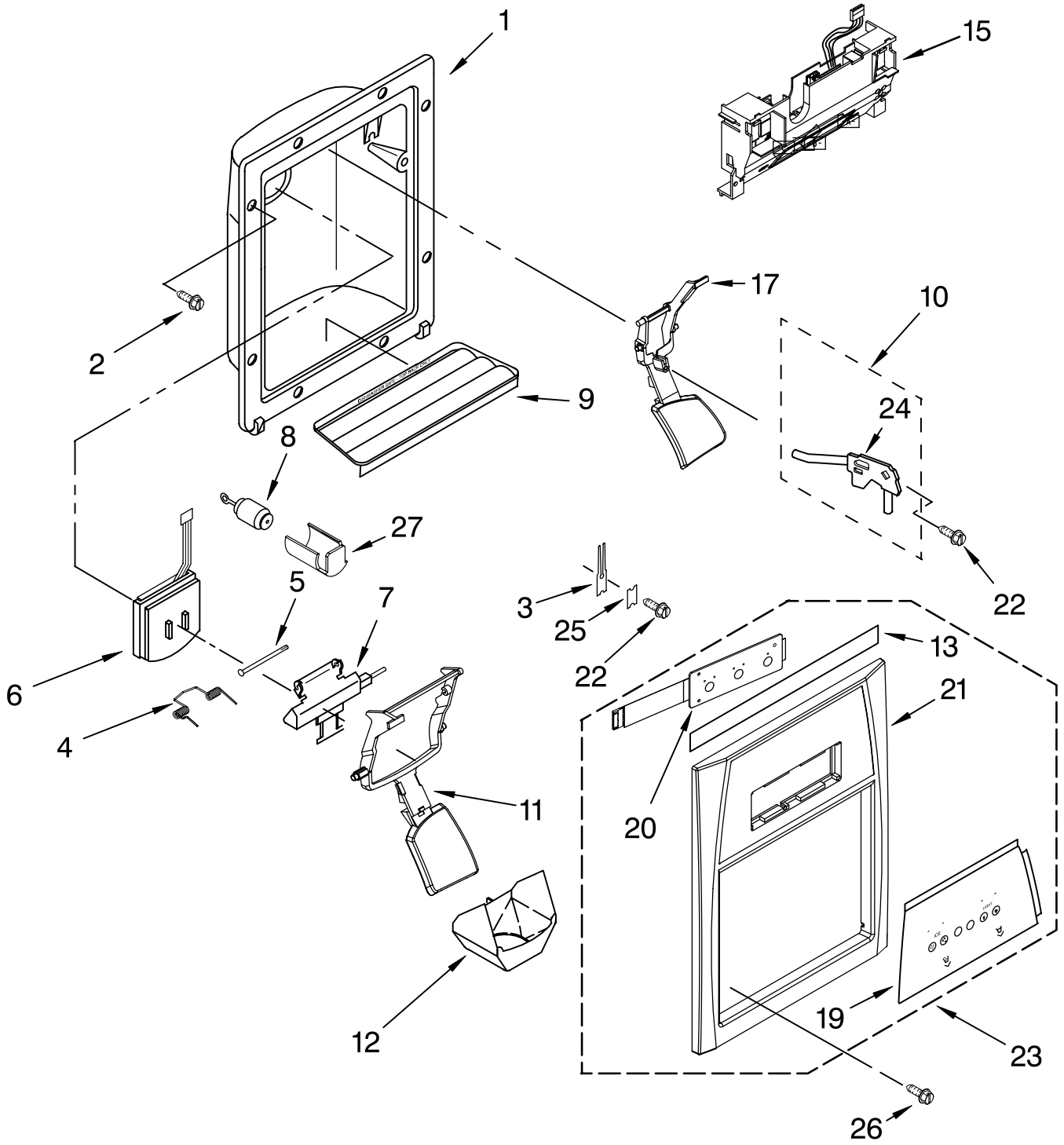
For Models: GC3SHEXNQ00, GC3SHEXNT00, GC3SHEXNB00, GC3SHEXNS00

(White)                      (Biscuit)                      (Black)                      (Stainless Steel)

| Illus.<br>No. | Part<br>No. | DESCRIPTION   |
|---------------|-------------|---|
| 1             |             | Freezer Door<br>(Includes #8<br>And Dispenser<br>Front Parts) |
|               | 2223842W    | White   |
|               | 2223842T    | Biscuit   |
|               | 2223842B    | Black   |
|               | 2224191SB   | Stainless Steel   |
| 2             |             | Handle  |
|               | 2305993W    | White   |
|               | 2305993T    | Biscuit   |
|               | 2305993B    | Black   |
| 3             | 2255411     | Clip, Mounting  |
| 4             | 489491      | Screw   |
| 5             | 3400012     | Screw   |
| 6             | 8533920     | Screw   |
| 7             | 2171157K    | Shelf Bin   |
| 8             |             | Door Gasket,<br>Magnetic                                      |
|               | 2223850     | Mist Beige  |
|               | 2223912     | Black   |
| 9             | 2223334     | Trivet,<br>Tilt-Out (2)                                       |
| 10            | 2219982     | Trim, Door Shelf  |
| 11            | 2308091     | Thimble, Top  |
| 12            | 2304309     | Basket,<br>Tilt-Out (2)                                       |
| 13            | 2255459K    | Bottle, Ice Pack  |
| 14            | 2223752     | Door Closer,<br>Upper Cam                                     |
| 16            | 489420      | Screw   |
| 17            |             | Bracket, Door Stop  |
|               | 2306940     | Chrome  |
|               | 2306940B    | Black   |

# DISPENSER FRONT PARTS

For Models: GC3SHEXNQ00, GC3SHEXNT00, GC3SHEXNB00, GC3SHEXNS00  
(White) (Biscuit) (Black) (Stainless Steel)



FOR ORDERING INFORMATION REFER TO PARTS PRICE LIST

# DISPENSER FRONT PARTS

For Models: GC3SHEXNQ00, GC3SHEXNT00, GC3SHEXNB00, GC3SHEXNS00

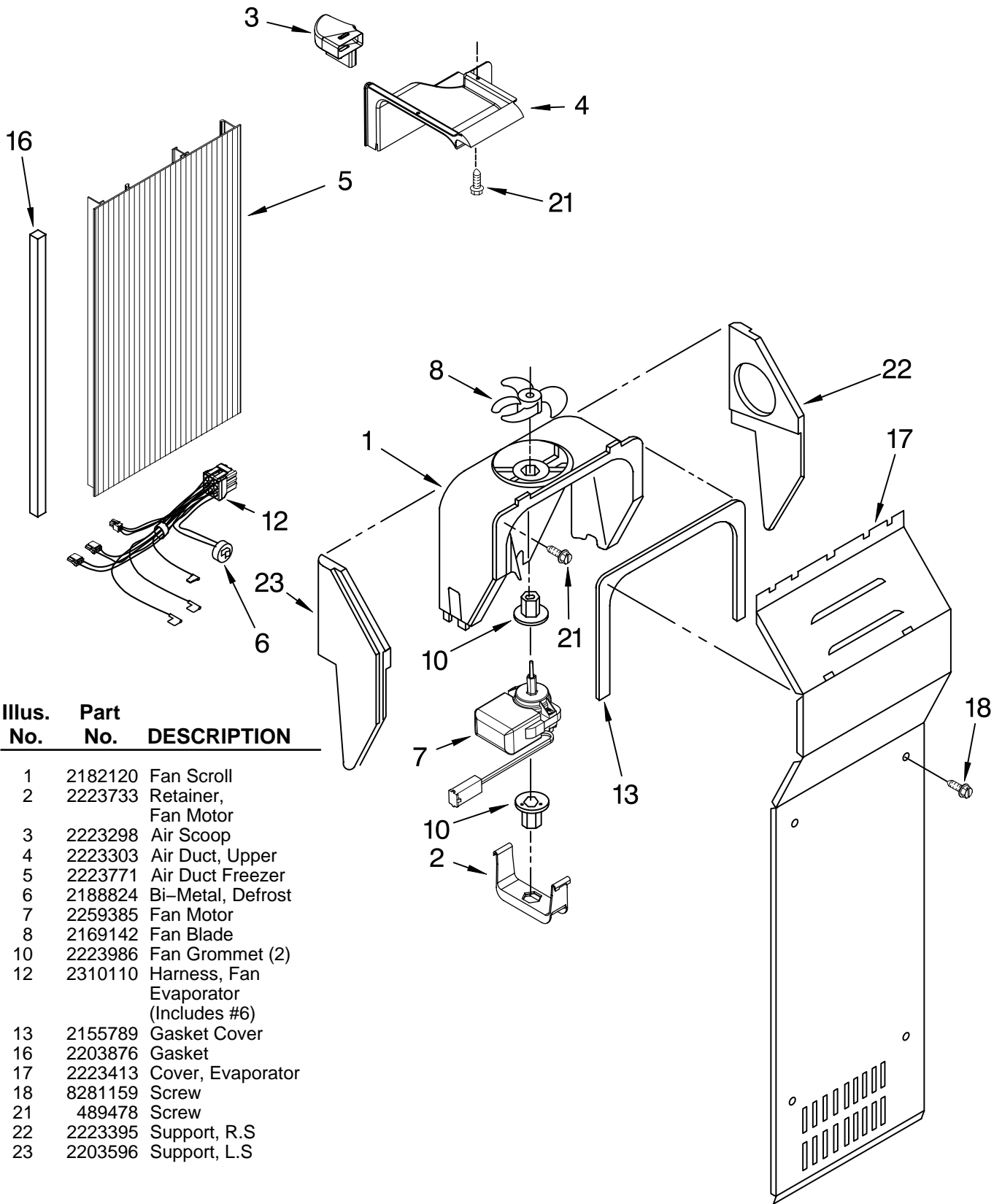
(White)                      (Biscuit)                      (Black)                      (Stainless Steel)

| Illus.<br>No. | Part<br>No. | DESCRIPTION  |
|---------------|-------------|--|
| 1             |             | Housing, Dispenser<br>(Not Serviced)                           |
| 2             | 3196537     | Screw  |
| 3             | 2194719     | Retainer, Levers   |
| 4             | 2180209     | Spring, Torsion  |
| 5             | 2196195     | Pin  |
| 6             | 2180353     | Door, Ice  |
| 7             | 2304355     | Door Mechanism<br>Assembly                                     |
| 8             | 2205686     | Mechanism Delay  |
| 9             |             | Grille, Overflow   |
|               | 2206670W    | White  |
|               | 2206670T    | Biscuit  |
|               | 2206670B    | Black  |
| 10            | 2209718     | Water Fitting<br>Assembly (Includes<br>Water Tube)             |
| 11            |             | Lever, Ice<br>Dispenser  |
|               | 2255431W    | White  |
|               | 2255431T    | Biscuit  |
|               | 2255431B    | Black  |
| 12            | 2180224     | Guide, Ice   |
| 13            | 2305571     | Gasket   |
| 15            | 2306937     | Bracket, Control   |
| 17            |             | Lever, Water<br>Dispenser                                      |
|               | 2255432W    | White  |
|               | 2255432T    | Biscuit  |
|               | 2255432B    | Black  |
| 19            |             | Overlay, Front<br>Cover<br>(Not Available,<br>Order #23)       |
| 20            |             | LED Display<br>(Not Available,<br>Order #23)                   |
| 21            |             | Front Cover,<br>Housing<br>(Not Available,<br>Order #23)       |
| 22            | 489000      | Screw  |
| 23            |             | Front Cover<br>Assembly<br>(Includes Items<br>13, 19, 20 & 21) |
|               | 2224183W    | White  |
|               | 2224183T    | Biscuit  |
|               | 2224183B    | Black  |
| 24            | 2188355     | Bracket, Dispenser   |
| 25            | 2195051     | Strain Relief  |
| 26            | 3400065     | Screw  |
| 27            | 2252127     | Sleeve, Mechanism  |

FOR ORDERING INFORMATION REFER TO PARTS PRICE LIST

# AIR FLOW PARTS

For Models: GC3SHEXNQ00, GC3SHEXNT00, GC3SHEXNB00, GC3SHEXNS00  
 (White) (Biscuit) (Black) (Stainless Steel)

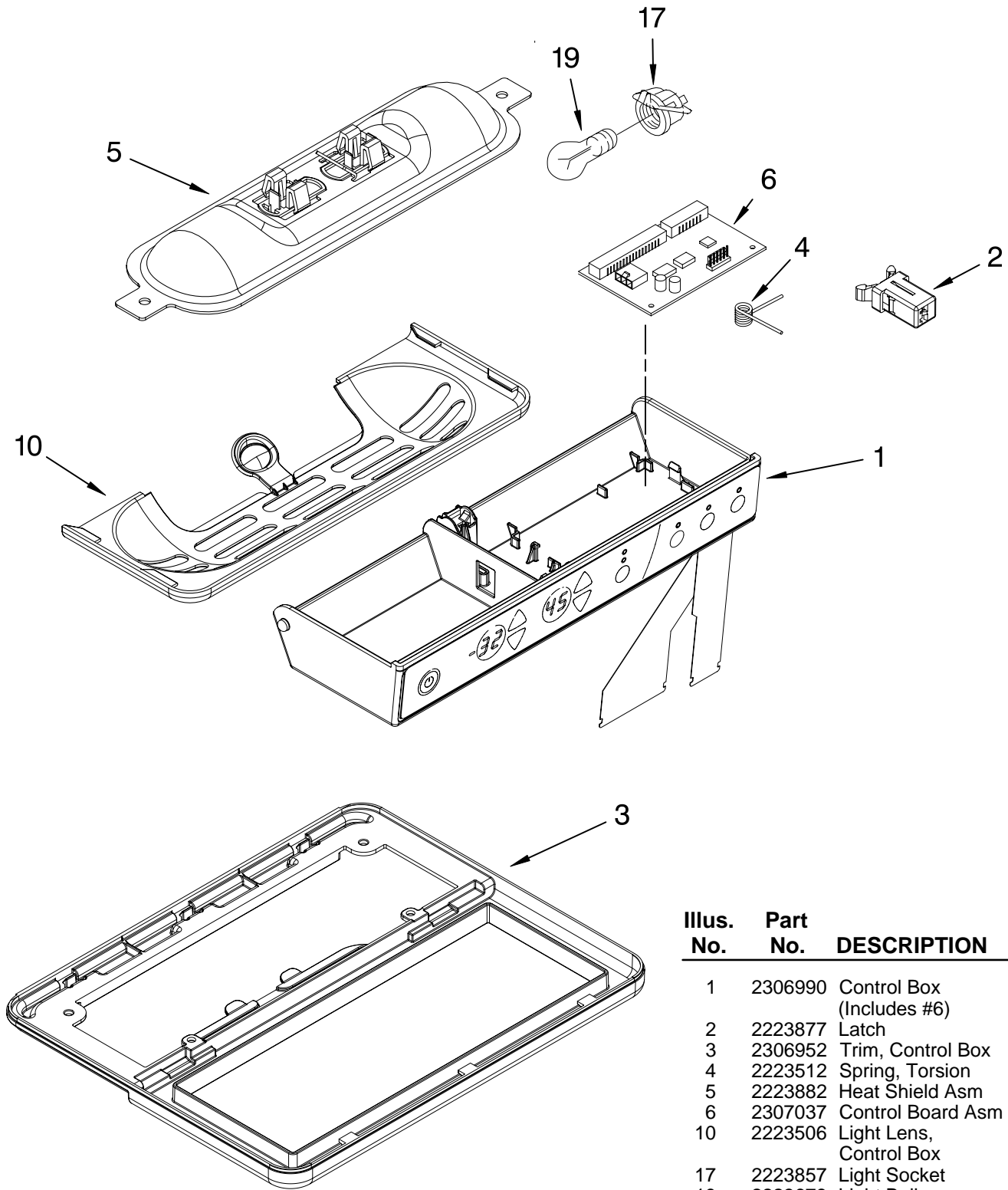


| Illus. No. | Part No. | DESCRIPTION                           |
|------------|----------|---------------------------------------|
| 1          | 2182120  | Fan Scroll                            |
| 2          | 2223733  | Retainer, Fan Motor                   |
| 3          | 2223298  | Air Scoop                             |
| 4          | 2223303  | Air Duct, Upper                       |
| 5          | 2223771  | Air Duct Freezer                      |
| 6          | 2188824  | Bi-Metal, Defrost                     |
| 7          | 2259385  | Fan Motor                             |
| 8          | 2169142  | Fan Blade                             |
| 10         | 2223986  | Fan Grommet (2)                       |
| 12         | 2310110  | Harness, Fan Evaporator (Includes #6) |
| 13         | 2155789  | Gasket Cover                          |
| 16         | 2203876  | Gasket                                |
| 17         | 2223413  | Cover, Evaporator                     |
| 18         | 8281159  | Screw                                 |
| 21         | 489478   | Screw                                 |
| 22         | 2223395  | Support, R.S                          |
| 23         | 2203596  | Support, L.S                          |

FOR ORDERING INFORMATION REFER TO PARTS PRICE LIST

# CONTROL PARTS

For Models: GC3SHEXNQ00, GC3SHEXNT00, GC3SHEXNB00, GC3SHEXNS00  
 (White) (Biscuit) (Black) (Stainless Steel)



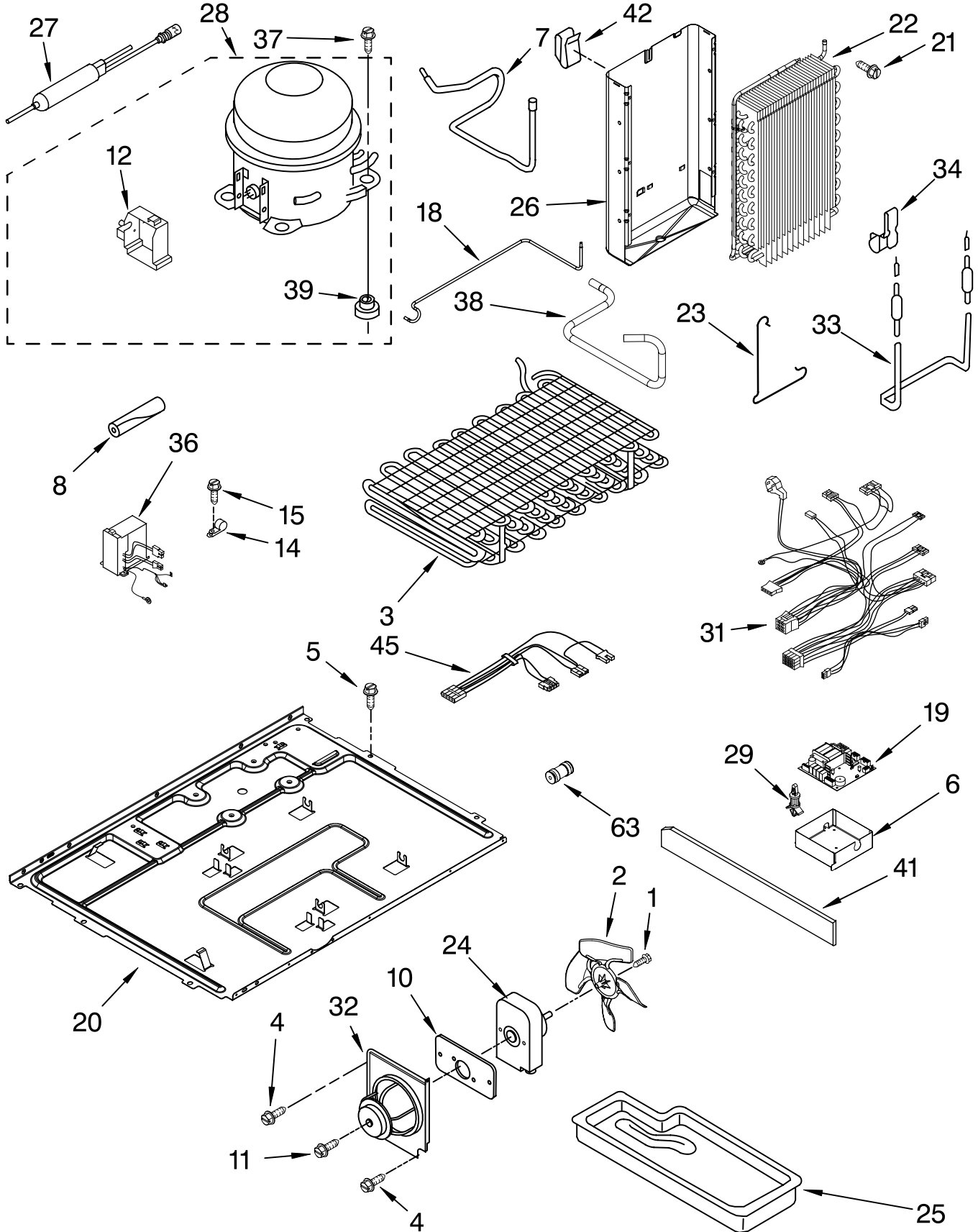
| Illus. No. | Part No. | DESCRIPTION                  |
|------------|----------|------------------------------|
| 1          | 2306990  | Control Box<br>(Includes #6) |
| 2          | 2223877  | Latch                        |
| 3          | 2306952  | Trim, Control Box            |
| 4          | 2223512  | Spring, Torsion              |
| 5          | 2223882  | Heat Shield Asm              |
| 6          | 2307037  | Control Board Asm            |
| 10         | 2223506  | Light Lens,<br>Control Box   |
| 17         | 2223857  | Light Socket                 |
| 19         | 2223678  | Light Bulb                   |

FOR ORDERING INFORMATION REFER TO PARTS PRICE LIST



# UNIT PARTS

For Models: GC3SHEXNQ00, GC3SHEXNT00, GC3SHEXNB00, GC3SHEXNS00  
 (White) (Biscuit) (Black) (Stainless Steel)



FOR ORDERING INFORMATION REFER TO PARTS PRICE LIST

# UNIT PARTS

For Models: GC3SHEXNQ00, GC3SHEXNT00, GC3SHEXNB00, GC3SHEXNS00

(White)                      (Biscuit)                      (Black)                      (Stainless Steel)

| Illus. No. | Part No. | DESCRIPTION                  |
|------------|----------|------------------------------|
| 1          | 777070   | Screw                        |
| 2          | 2225834  | Fan, Blade                   |
| 3          | 2223315  | Condenser Assembly           |
| 4          | 8281197  | Screw                        |
| 5          | 3400524  | Screw (6)                    |
| 6          | 2223703  | Housing, Control Board       |
| 7          | 2223351  | Tube Suction                 |
| 8          | 2161302  | Sleeve                       |
| 10         | 2301979  | Plate, Mounting              |
| 11         | 8281196  | Screw                        |
| 12         | 2215676  | Cover, Terminal              |
| 14         | 2185788  | Clamp, Cable                 |
| 15         | 488649   | Screw                        |
| 18         | 2223353  | Tube, Condenser to Heat Loop |
| 19         | 2307028  | Electronic Control           |
| 20         | 2306932  | Baseplate                    |
| 21         | 489478   | Screw                        |
| 22         | 2188823  | Evaporator                   |
| 23         | 2161324  | Clamp                        |
| 24         | 2188729  | Fan, Motor                   |
| 25         | 2223398  | Tray, Evaporator             |

| Illus. No. | Part No. | DESCRIPTION                         |
|------------|----------|-------------------------------------|
| 26         | 2224022  | Heat Shield                         |
| 27         | 2199167  | Drier                               |
| 28         | 2223801  | Compressor (Includes Items 12 & 39) |
| 29         | 2223800  | Spacer (5)                          |
| 31         | 2187849  | Harness, Main Control               |
| 32         | 2224024  | Fan, Motor Bracket                  |
| 33         | 2210737  | Heater, Defrost                     |
| 34         | 2304287  | Clip                                |
| 36         | 2306957  | Inverter Box                        |
| 37         | 489473   | Screw                               |
| 38         | 2223352  | Tube, Discharge                     |
| 39         |          | Grommet (4)                         |
|            | 2183042  | Production Service                  |
|            | 4387558  | Service                             |
| 41         | 2223394  | Extension, Air Baffle               |
| 42         | 2155547  | Clip, Heat Shield                   |
| 45         | 2187737  | Unit Harness                        |
| 63         | 2209709  | Connector, Water Tube               |

Following Parts Not Illustrated and Optional Parts Not Included

|        |                       |
|--------|-----------------------|
| 978025 | Valve, Access (1/4")  |
| 978026 | Valve, Access (5/16") |
| 978027 | Valve, Access (3/8")  |
| 978028 | Valve, Access (1/2")  |
| 978029 | Valve, Access (5/8")  |
| 978030 | Valve, Access (3/4")  |
| 876764 | Valve, Access (3/16") |

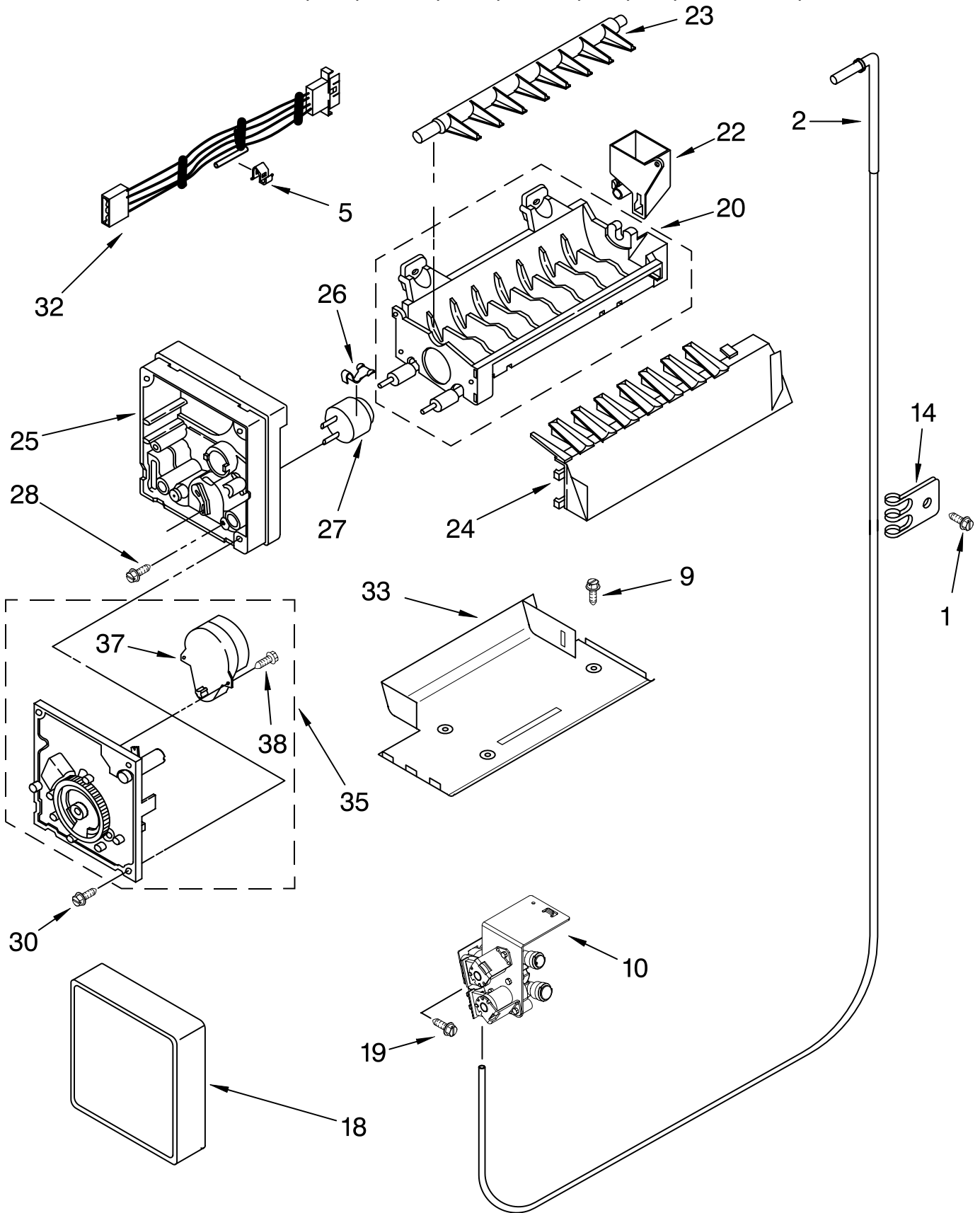
**REFRIGERANT CHARGE**

6.00 oz.  
(R-134A)



# ICEMAKER PARTS

For Models: GC3SHEXNQ00, GC3SHEXNT00, GC3SHEXNB00, GC3SHEXNS00  
(White) (Biscuit) (Black) (Stainless Steel)



FOR ORDERING INFORMATION REFER TO PARTS PRICE LIST

# ICEMAKER PARTS

For Models: GC3SHEXNQ00, GC3SHEXNT00, GC3SHEXNB00, GC3SHEXNS00  
 (White) (Biscuit) (Black) (Stainless Steel)

| Illus. No. | Part No. | DESCRIPTION                                       |
|------------|----------|---|
| 1          | 489084   | Screw   |
| 2          | 2256096  | Fitting, Water Tube                               |
| 5          | 628379   | Clip, Fuse  |
| 9          | 489478   | Screw   |
| 10         | 2315533  | Water Valve Asm                                   |
| 14         | 2208136  | Tube Clip   |
| 18         | 2174358  | Cover   |
| 19         | 488649   | Screw   |
| 20         | 628228   | Mold & Heater Assembly (Also Order 542638)        |
| 22         | 628356   | Cup, Water Fill                                   |
| 23         | 627843   | Ejector   |
| 24         | 2198598  | Ice Striper                                       |
| 25         | 2194712  | Support   |
| 26         | 627796   | Retainer, Thermostat                              |
| 27         | 627985   | Thermostat (Also Order 542369 Cement Alumilastic) |
| 28         | 8533917  | Screw   |
| 30         | 489276   | Screw   |
| 32         | 2187467  | Harness, Wiring                                   |
| 33         | 2212322  | Bracket, Icemaker Mounting                        |
| 35         | 626678   | Module Assembly (Includes Items 37 & 38)          |
| 37         | 626676   | Motor   |
| 38         | 489136   | Screw   |
| 100        | 2198597  | Icemaker Assembly                                 |

# OPTIONAL PARTS

For Models: GC3SHEXNQ00, GC3SHEXNT00, GC3SHEXNB00, GC3SHEXNS00

(White)

(Biscuit)

(Black)

(Stainless Steel)

| Illus. No. | Part No. | DESCRIPTION |
|------------|----------|-------------|
|------------|----------|-------------|

Parts Not Illustrated and  
Optional Parts (Not Included)

**Customer Touch-Up Material**

- \*350942 Primer, White  
(12 Oz. Spray Can)
- \*350939 Enamel, Black  
(12 Oz. Spray Can)
- \*350930 Enamel, White  
(12 Oz. Spray Can)
- \*350956 Enamel, Almond  
(12 Oz. Spray Can)
- \*4392901 Enamel, Biscuit  
(12 Oz. Spray Can)
- 72017 Brush Touch-Up Kit  
(White)
- 72107 Brush Touch-Up Kit  
(Almond)
- 72032 Brush Touch-up kit  
(Black)
- 4392899 Brush Touch-Up Kit  
(Biscuit)

**\*Important:** The spray paint is not to be used where the paint may make contact with the door gaskets.

| Illus. No. | Part No. | DESCRIPTION |
|------------|----------|-------------|
|------------|----------|-------------|

**Miscellaneous**

- 212643 Sealer, Gum  
(4 Feet)
- 479502 Tape, Vinyl  
(3/4 x 108")
- 876370 Kit, Insulation  
(2 Pcs. x 3" x 24" X 48")
- 876305 Kit, Insulation  
(14 Pcs. x 3" x 24" x 48")
- 978941 Insulation,  
Fiberglass  
(63-1/2" x 35-1/2" X 2-5/8)
- 876029 Kit, Foam Slab  
(30" x 32-1/2" x 1-1/2")
- 505587 Sealer, Mastic  
(1 Qt.)
- 503695 Cork, Sealer  
(1/4 Pound)
- 511873 Touch-Up, White  
Porcelain (2 Oz.)
- 542638 Grease, Silicone  
(1/2 Oz.)
- 542639 Cement,  
Alumilastic  
(1-1/4 Oz.)
- 606755 Bag, Insulation  
(36-5/8" x 46")
- 799833 Kit, Evaporator  
Repair  
(Aluminum Epoxy)
- 833938 Kit, Terminal  
Connector
- 2258249 Ice Container  
Assembly

| Illus. No. | Part No. | DESCRIPTION |
|------------|----------|-------------|
|------------|----------|-------------|

**Refinishing Material**

- 799340 Enamel, Black  
(1 Qt. Uncut)
- 799344 Enamel, White  
(1 Qt. Uncut)
- 978883 Enamel, Almond  
(1 Qt. Uncut)
- 4392900 Enamel, Biscuit  
(1 Qt. Uncut)

**TORX SCREW WRENCH**

- 1117510 Torx Key

FOR ORDERING INFORMATION REFER TO PARTS PRICE LIST