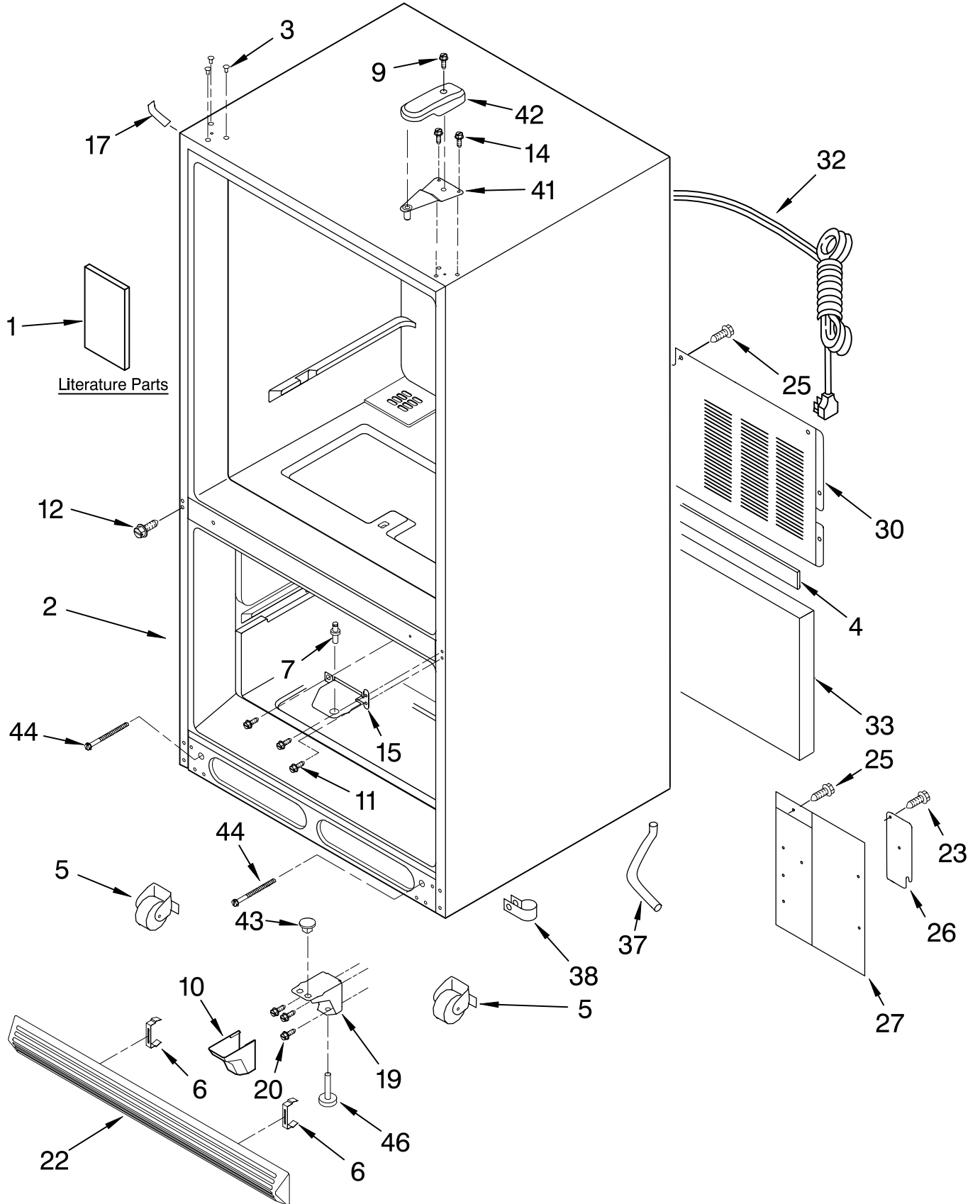




CABINET PARTS

REFRIGERATOR

For Models: GB9SHDXPQ01, GB9SHDXPB01, GB9SHDXPS01
(White) (Black) (Stainless Steel)



FOR ORDERING INFORMATION REFER TO PARTS PRICE LIST

CABINET PARTS

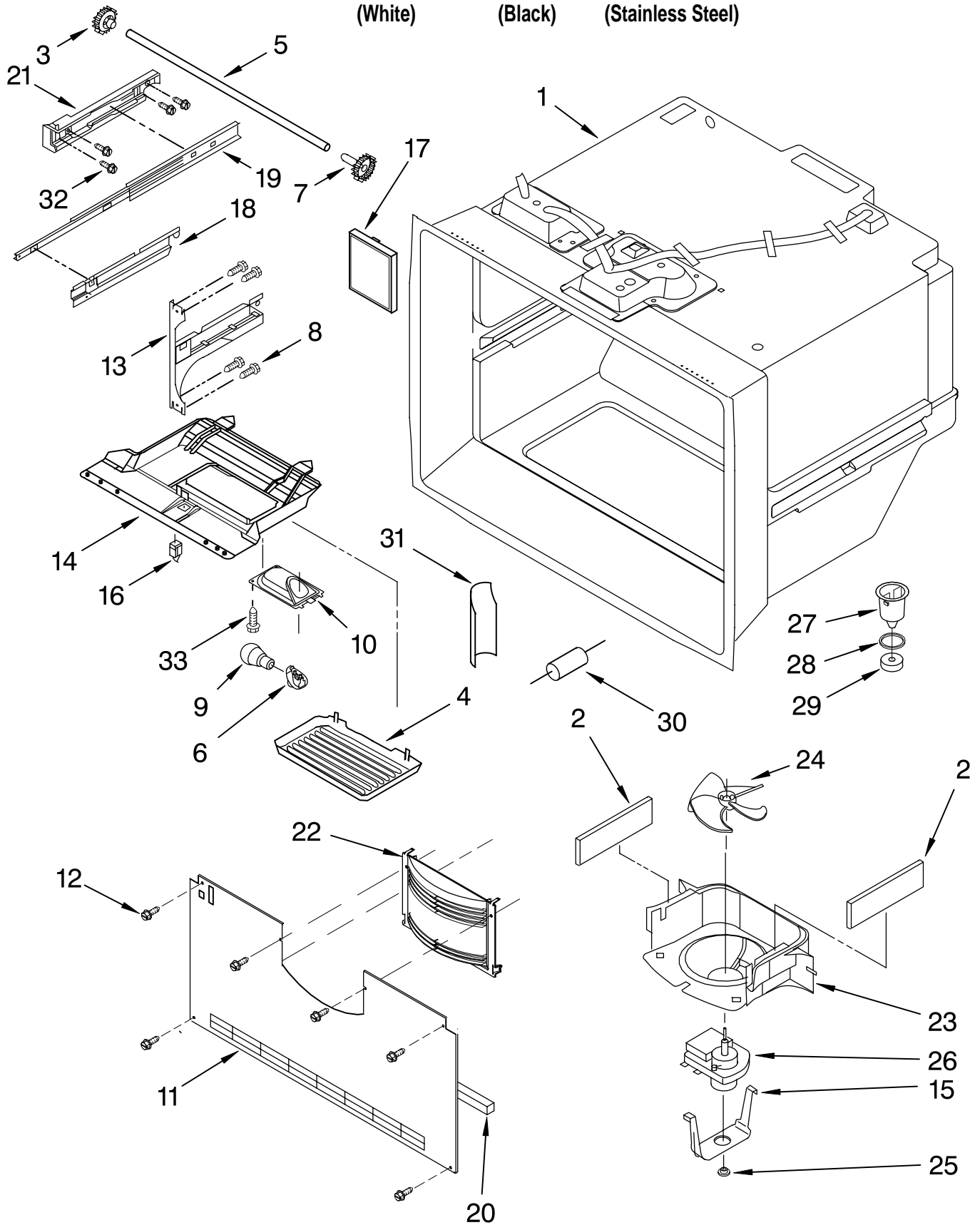
For Models: GB9SHDXPQ01, GB9SHDXPB01, GB9SHDXPS01
(White) (Black) (Stainless Steel)

| Illus. No. | Part No. | DESCRIPTION | Illus. No. | Part No. | DESCRIPTION | Illus. No. | Part No. | DESCRIPTION |
|------------|-----------|---------------------------------|------------|----------|----------------------------------|------------|----------|--------------------|
| 1 | | Literature Parts | 11 | 4344186 | Screw | 23 | 4343694 | Screw |
| | 2300261 | Use & Care Guide | 12 | 8170373 | Screw | 25 | 4344167 | Screw |
| | W10024320 | Energy Tag | 14 | 4344198 | Screw | 26 | 8170921 | Plate, Cover |
| | 8208183 | Tech Sheet | 15 | | Hinge, Center | 27 | 8170898 | Cover, Water Valve |
| 2 | | Cabinet (Not a Servicable Part) | | 8170980 | Black | 30 | 8170910 | Cover, Unit |
| 3 | | Plug, Button (3) | 17 | 8170981 | White | 32 | 8170925 | Power Cord |
| | 4344209 | White | | 8170858 | Black | 33 | 8171247 | Insulation, Sound |
| | 4344208 | Black | | 8170860 | White | 37 | 8170861 | Tube, Drain |
| 4 | 8170924 | Gasket | 19 | | Hinge, Bottom | 38 | 8170862 | Clip, Drain Tube |
| 5 | 8170886 | Roller Assembly | | 8171067 | White | 41 | 8170974 | Hinge, Top |
| 6 | 8170869 | Clip, Grille | | 8171066 | Black | 42 | | Cover, Hinge |
| 7 | 4344177 | Pin, Center Hinge | 20 | 8171202 | Screw | | 8170977 | White |
| 9 | 8171215 | Screw | 22 | | Grille Assembly (Includes Clips) | | 8170975 | Black |
| 10 | | Hinge Cover, Bottom | | 8170996 | White | 43 | 8170878 | Plug, Button |
| | 8171004 | White | | 8171224 | Black | 44 | 8170972 | Screw |
| | 8171002 | Black | | | | 46 | 8171272 | Foot Brake |

FOR ORDERING INFORMATION REFER TO PARTS PRICE LIST

FREEZER LINER PARTS

For Models: GB9SHDXPQ01, GB9SHDXPB01, GB9SHDXPS01
 (White) (Black) (Stainless Steel)



FOR ORDERING INFORMATION REFER TO PARTS PRICE LIST

FREEZER LINER PARTS

For Models: GB9SHDXPQ01, GB9SHDXPB01, GB9SHDXPS01
 (White) (Black) (Stainless Steel)

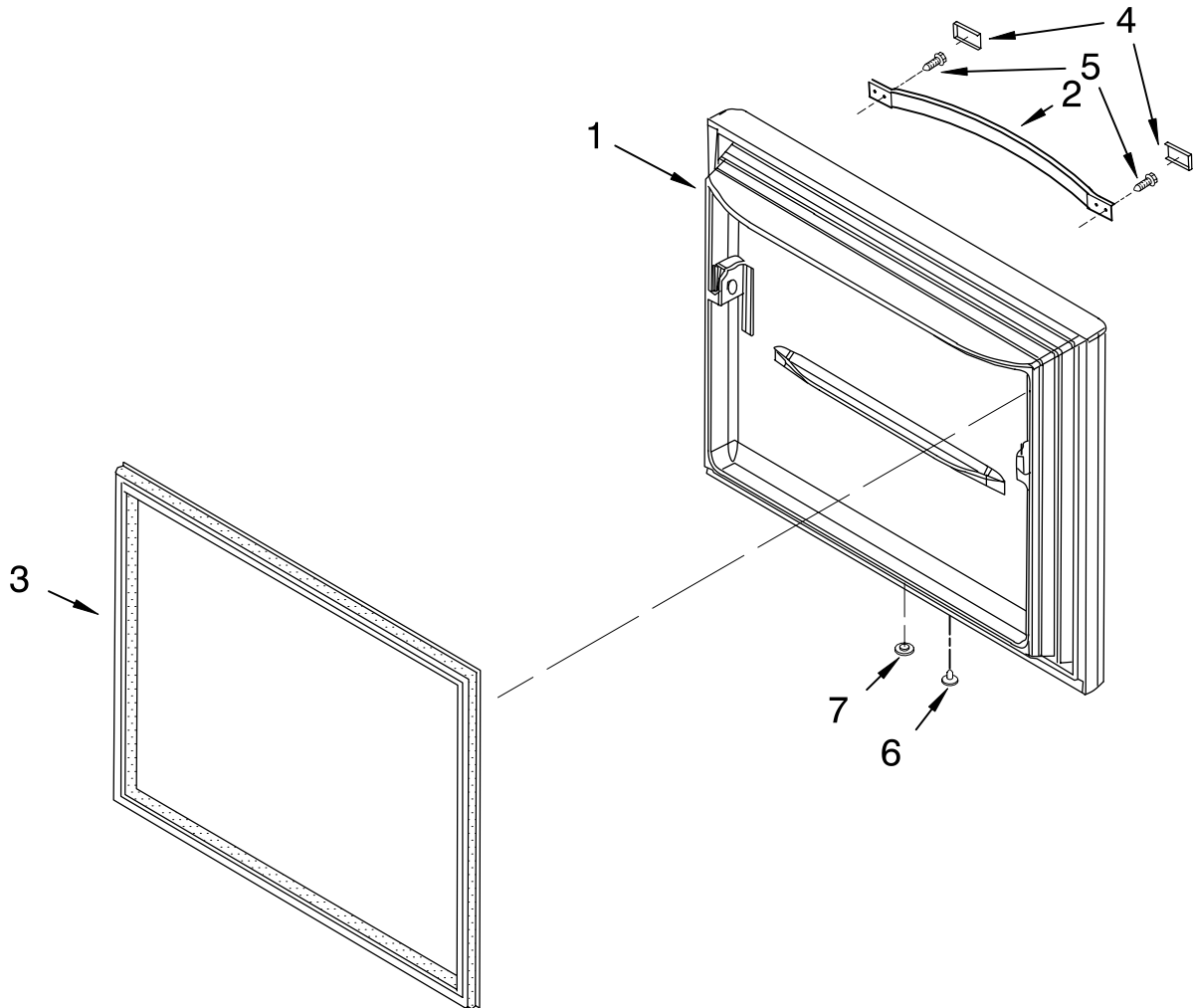
| Illus. No. | Part No. | DESCRIPTION |
|---------------|-------------|------------------------------------|
| 1 | | Liner (Not A Serviceable Part) |
| 2 | 8170897 | Gasket, Foam |
| 3 | 8171237 | Gear |
| 4 | 8208205 | Cover, Light |
| 5 | 8208200 | Shaft |
| 6 | 8170839 | Socket, Light |
| 7 | 8171236 | Gear |
| 8 | 4343675 | Screw |
| 9 | 8208190 | Bulb, Light |
| 10 | 8170838 | Housing, Frz. Light |
| 11 | 8208201 | Cover, Evaporator |
| 12 | 4344167 | Screw |
| 13 | | Bracket, Door |
| | 8171232 | Left |
| | 8171233 | Right |
| 14 | 8208206 | Housing, Lighting |
| 15 | 8171238 | Clip, Evap. Motor |
| 16 | 8170842 | Switch, Light |
| 17 | 8170922 | Cover, Plug |
| 18 | | Bracket, Basket |
| | 8171234 | Left |
| | 8171235 | Right |
| 19 | 8208214 | Slide, Drawer (2) |
| 20 | 8208203 | Gasket, Bottom |
| 21 | | Bracket, Slide |
| | 8208215 | Left |
| | 8208216 | Right |
| 22 | 8170881 | Cover, Fan Shroud |
| 23 | 8171153 | Shroud, Evap.Fan |
| 24 | 8170544 | Fan, Evaporator |
| 25 | 8171086 | Grommet (2) |
| 26 | 8170894 | Motor, Evaporator |
| 27 | 4344385 | Funnel, Drain (Incl. # 28 & 29) |
| 28 | 4344311 | Seal |
| 29 | 4344310 | Gasket |
| 30 | 8208196 | Thermistor |
| 31 | 8208202 | Cover, Thermistor |
| 32 | 8208217 | Screw |
| 33 | 4343670 | Screw |

Following Parts Not Illustrated

8208199 Harness, Lights
(Freezer)

FREEZER DOOR PARTS

For Models: GB9SHDXPQ01, GB9SHDXPB01, GB9SHDXPS01
 (White) (Black) (Stainless Steel)



| Illus. No. | Part No. | DESCRIPTION | Illus. No. | Part No. | DESCRIPTION | Illus. No. | Part No. | DESCRIPTION |
|------------|----------|------------------------------|------------|----------|-----------------------|------------|----------|------------------|
| 1 | | Freezer Door (w/ Insulation) | 3 | | Door Gasket, Magnetic | 5 | 8170499 | Screw |
| | 8208209 | White | | 8171262 | White | 6 | 8208212 | Plug, Button (2) |
| | 8208210 | Black | | 8171261 | Black | | 8208213 | Black |
| | 8208211 | Stainless Steel | 4 | | Trim, Handle | 7 | | Plug, Button (1) |
| 2 | | Handle | | 8170752 | White | | 8170953 | White |
| | 8170776 | White | | 8170785 | Black | | 4343926 | Black |
| | 8170961 | Black | | | | | | |

FOR ORDERING INFORMATION REFER TO PARTS PRICE LIST

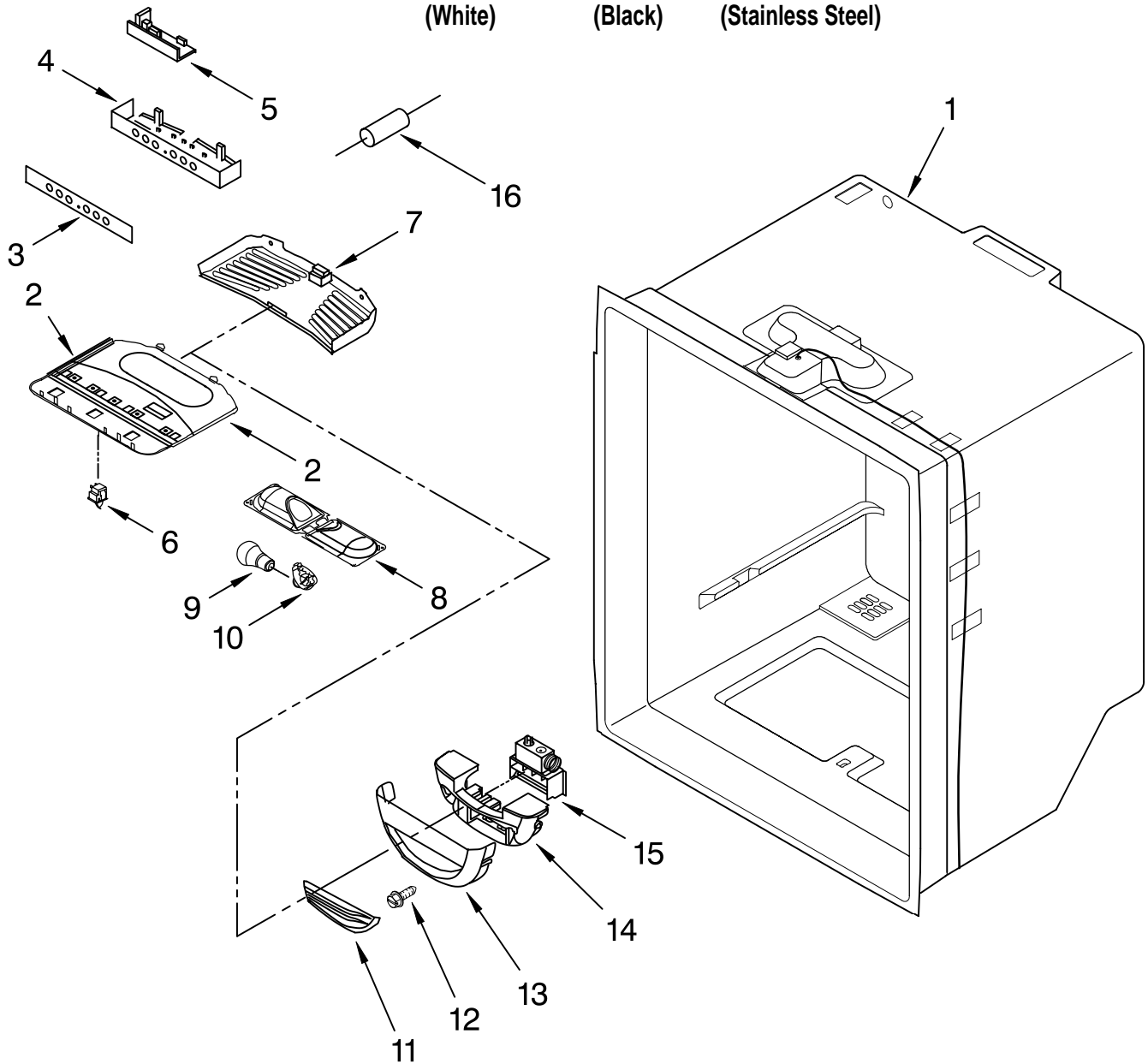
REFRIGERATOR LINER PARTS

For Models: GB9SHDXPQ01, GB9SHDXPB01, GB9SHDXPS01

(White)

(Black)

(Stainless Steel)



| Illus. No. | Part No. | DESCRIPTION |
|------------|----------|--------------------------------|
| 1 | | Liner (Not A Serviceable Part) |
| 2 | 8208184 | Bracket, Control and Lights |
| 3 | 8208185 | Overlay |
| 4 | 8208186 | Housing, Electronic Control |
| 5 | 8208187 | Electronic Control |
| 6 | 4344571 | Switch, Light |

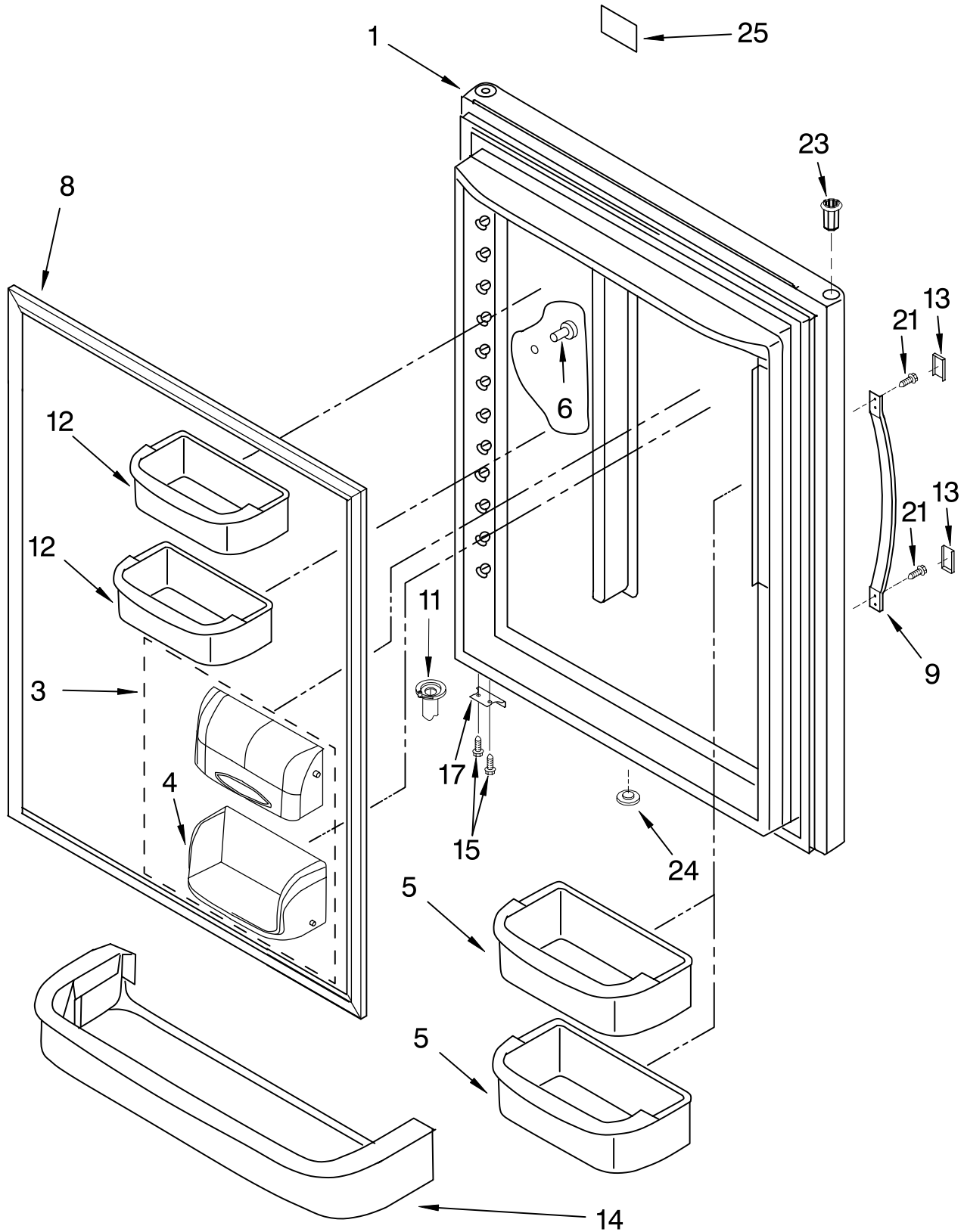
| Illus. No. | Part No. | DESCRIPTION |
|------------|----------|----------------------|
| 7 | 8208188 | Cover, Light |
| 8 | 8208189 | Housing, Light |
| 9 | 8208190 | Bulb, Light (2) |
| 10 | 8170839 | Socket, Light (2) |
| 11 | 8208191 | Insert, Damper Cover |
| 12 | 8208192 | Screw |
| 13 | 8208193 | Cover, Damper |
| 14 | 8208194 | Insulation |

| Illus. No. | Part No. | DESCRIPTION |
|--|----------|--|
| 15 | 8208195 | Control, Damper |
| 16 | 8208196 | Thermistor |
| Following Parts Not Illustrated | | |
| | 8208197 | Harness, Damper Control |
| | 8208198 | Harness, Controls (Refrigerator) (Includes # 16) |

FOR ORDERING INFORMATION REFER TO PARTS PRICE LIST

REFRIGERATOR DOOR PARTS

For Models: GB9SHDXPQ01, GB9SHDXPB01, GB9SHDXPS01
(White) (Black) (Stainless Steel)



FOR ORDERING INFORMATION REFER TO PARTS PRICE LIST

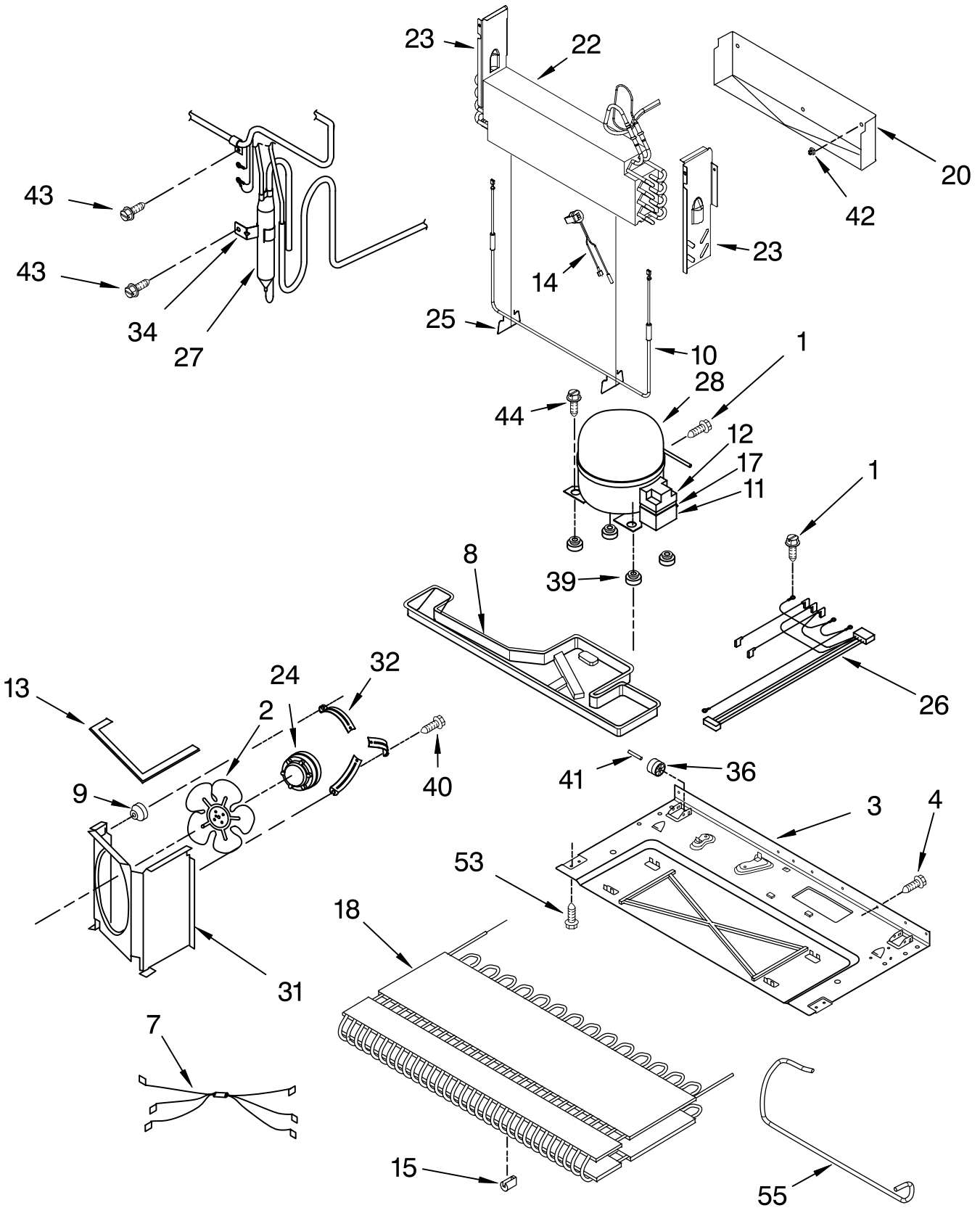
REFRIGERATOR DOOR PARTS

For Models: GB9SHDXPQ01, GB9SHDXPB01, GB9SHDXPS01
(White) (Black) (Stainless Steel)

| Illus. No. | Part No. | DESCRIPTION |
|---------------|-------------|--------------------------------------|
| 1 | | Refrigerator Door (w/ Insulation) |
| | 8170959 | White |
| | 8170935 | Black |
| | 8208207 | Stainless Steel |
| 3 | 8171204 | Door, Compartment |
| 4 | 8170793 | Tray, Dairy |
| 5 | 8171166 | Shelf Bin (Medium) |
| 6 | | Plug, Handle Hole |
| | 4344535 | White |
| | 4344533 | Black |
| 8 | | Door Gasket, Magnetic |
| | 8171256 | White |
| | 8171257 | Black |
| 9 | | Door Handle |
| | 8170776 | White |
| | 8170961 | Black |
| 11 | 8171246 | Door Closure |
| 12 | 8171251 | Shelf Bin (Small) |
| 13 | | Trim, Handle |
| | 8170752 | White |
| | 8170785 | Black |
| 14 | 8170984 | Trim, Door Shelf |
| 15 | 8208166 | Screw |
| 17 | | Stop, Door |
| | 8171205 | White |
| | 8171214 | Black |
| 21 | 8170499 | Screw |
| 23 | | Bushing |
| | 8208208 | White |
| | 8171213 | Black |
| 24 | | Plug, Button |
| | 8170953 | White |
| | 4343926 | Black |
| 25 | 8170797 | Nameplate |

UNIT PARTS

For Models: GB9SHDXPQ01, GB9SHDXPB01, GB9SHDXPS01
(White) (Black) (Stainless Steel)



FOR ORDERING INFORMATION REFER TO PARTS PRICE LIST

UNIT PARTS

For Models: GB9SHDXPQ01, GB9SHDXPB01, GB9SHDXPS01
 (White) (Black) (Stainless Steel)

| Illus. No. | Part No. | DESCRIPTION |
|------------|----------|------------------------------|
| 1 | 4343865 | Screw |
| 2 | 8208223 | Blade, Fan |
| 3 | 8171252 | Base |
| 4 | 4344167 | Screw |
| 7 | 8208204 | Harness, Evap. Heater |
| 8 | 8170911 | Drain Pan |
| 9 | 8171209 | Grommet (3) |
| 10 | 8171009 | Evaporator Heater |
| 11 | 8170724 | Strap |
| 12 | 8171210 | Overload (Includes Relay) |
| 13 | 8170914 | Gasket |
| 14 | 8170904 | Bi-Metal |
| 15 | 8170912 | Grommet (7) |
| 17 | 8170462 | Capacitor |
| 18 | 8171255 | Condenser |
| 20 | 8171005 | Tray, Drip |
| 22 | 8171161 | Evaporator Dam |
| 23 | 8171155 | Right Side |
| | 8171154 | Left Side |

| Illus. No. | Part No. | DESCRIPTION |
|------------|----------|--|
| 24 | 8208221 | Motor, Fan |
| 25 | 4343918 | Clip, Heater |
| 26 | 8171241 | Harness, Unit |
| 27 | 4344268 | Drier |
| 28 | 8171208 | Compressor (Includes Items 11, 12, 15, 17 & 27) |
| 31 | 8170906 | Shroud |
| 32 | 8208222 | Bracket, Fan Motor |
| 34 | 8170901 | Clip, Drier |
| 36 | 8170916 | Roller |
| 39 | 4343845 | Grommet (4) |
| 40 | 4344562 | Screw |
| 41 | 8170917 | Axle, Roller |
| 42 | 4344219 | Clip, Evaporator |
| 43 | 8170902 | Screw |
| 44 | 8171253 | Screw |
| 53 | 4344292 | Screw |
| 55 | 8171254 | Tube, Drain |

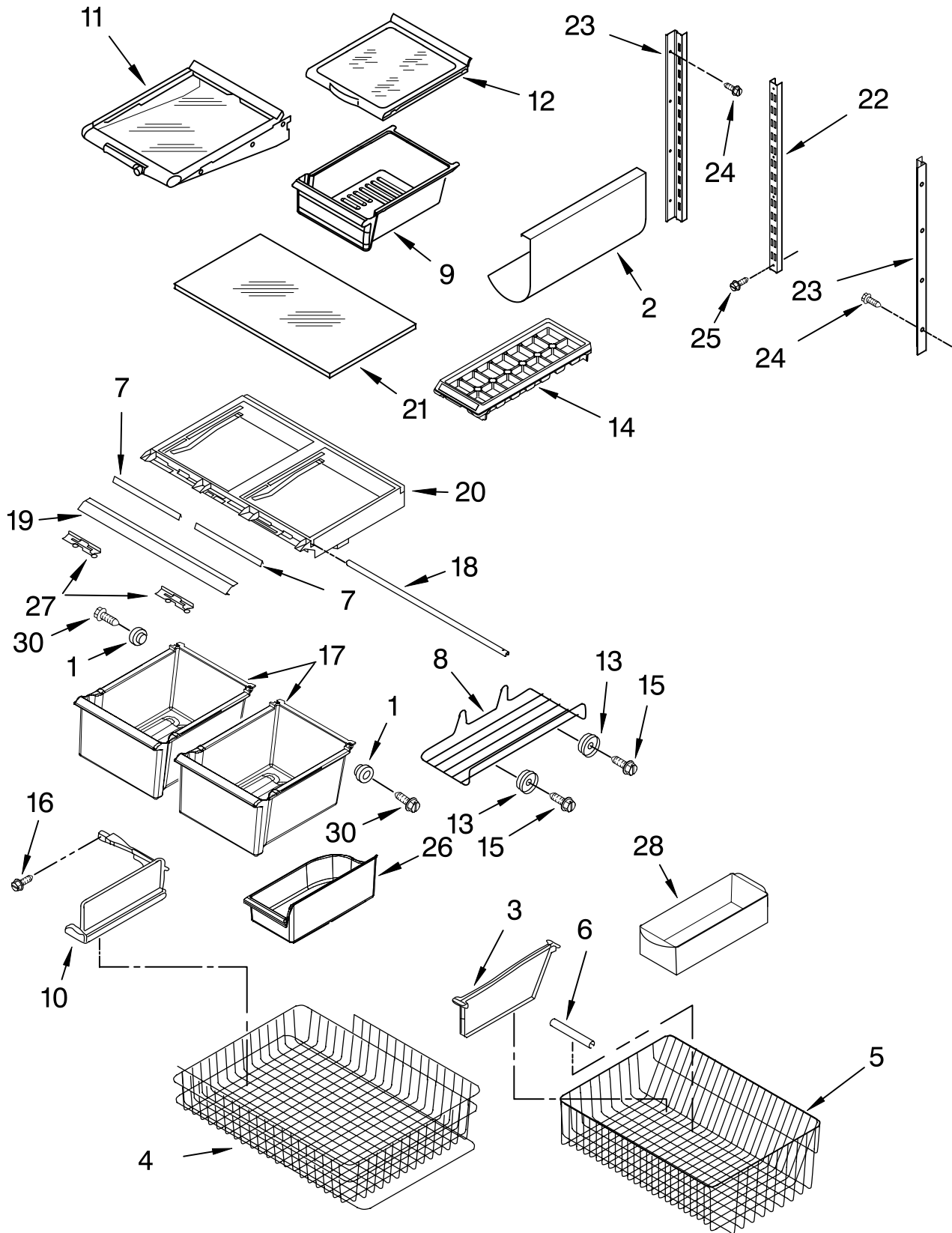
| Illus. No. | Part No. | DESCRIPTION |
|--|----------|-----------------------|
| Following Parts Not Illustrated and Optional Parts Not Included | | |
| | 978025 | Valve, Access (1/4") |
| | 978026 | Valve, Access (5/16") |
| | 978027 | Valve, Access (3/8") |
| | 978028 | Valve, Access (1/2") |
| | 978029 | Valve, Access (5/8") |
| | 978030 | Valve, Access (3/4") |
| | 876764 | Valve, Access (3/16") |

REFRIGERANT CHARGE

5.00 Ozs.
(R-134A)

SHELF PARTS

For Models: GB9SHDXPQ01, GB9SHDXPB01, GB9SHDXPS01
(White) (Black) (Stainless Steel)



FOR ORDERING INFORMATION REFER TO PARTS PRICE LIST

SHELF PARTS

For Models: GB9SHDXPQ01, GB9SHDXPB01, GB9SHDXPS01
 (White) (Black) (Stainless Steel)

| Illus. No. | Part No. | DESCRIPTION |
|-------------------|-----------------|----------------------------|
| 1 | 4344093 | Roller |
| 2 | 8170799 | Rack, Wine |
| 3 | 8171227 | Divider, Basket (Lower) |
| 4 | 8208218 | Basket, Freezer (Upper) |
| 5 | 8208219 | Basket, Freezer (Lower) |
| 6 | 8208220 | Handle, Basket |
| 7 | 8170555 | Seal, Front Crisper |
| 8 | 8170880 | Rack, Ice Tray |
| 9 | 8170754 | Meat Pan |
| 10 | 8171226 | Divider, Shelf (Upper) |
| 11 | 8170763 | Shelf Assembly (3) |
| 12 | 8170964 | Shelf, S/G, S/O |
| 13 | 4344239 | Spacer, Ice Rack |
| 14 | 8170800 | Tray, Ice Cube |
| 15 | 4344238 | Screw |
| 16 | 8171073 | Screw |
| 17 | 8170717 | Crisper (2) |
| 18 | 8170554 | Support, Crisper Cvr |
| 19 | 8170557 | Trim, Crisper |
| 20 | 8171168 | Frame, Crisper |
| 21 | 8170560 | Glass, Crisper Cover |
| 22 | 8170998 | Ladder, Center |
| 23 | 8170999 | Ladder, Side |
| 24 | 4344396 | Screw |
| 25 | 8170578 | Screw |
| 26 | 8170926 | Pan, Ice |
| 27 | 8170556 | Slide, Humidity Control |
| 28 | 8170709 | Bin, Egg |
| 30 | 4344094 | Screw |

FOR ORDERING INFORMATION REFER TO PARTS PRICE LIST

OPTIONAL PARTS

For Models: GB9SHDXPQ01, GB9SHDXPB01, GB9SHDXPS01
 (White) (Black) (Stainless Steel)

| Illus. Part No. No. DESCRIPTION | Illus. Part No. No. DESCRIPTION | Illus. Part No. No. DESCRIPTION |
|--|--|---|
| <p><u>PAINT, TOUCH-UP (1/2oz.)</u></p> <p>72017 White 72032 Black</p> <p><u>PAINT, PRESSURIZED SPRAY (12 oz.)</u></p> <p>*350930 White *350939 Black *350942 Primer, White</p> <p>*Important: The spray paint is not to be used where the paint may make contact with the door gaskets.</p> <p><u>PAINT, BULK (1 qt.)</u></p> <p>799344 White (Uncut) 799340 Black (Uncut)</p> | <p><u>Miscellaneous</u></p> <p>212643 Sealer, Gum (4 Feet) 479502 Tape, Vinyl (3/4 x 108") 505587 Sealer, Mastic (1 Qt.) 503695 Cork, Sealer (1/4 Pound) 542638 Grease, Silicone (1/2 Oz.) 542639 Cement, Alumilastic (1-1/4 Oz.) 799833 Kit, Evaporator Repair (Aluminum Epoxy) 833938 Kit, Terminal Connector</p> | <p><u>TORX SCREW WRENCH</u></p> <p>1117510 Torx Key</p> <p><u>ICE MAKER FIELD INSTALLABLE</u></p> <p>4396418 AMKIT02</p> <p><u>ACCESSORIES</u></p> <p>2217192 Cleaner, Stainless Steel</p> |

FOR ORDERING INFORMATION REFER TO PARTS PRICE LIST