

WINAUTO



(044)361-05-06

ICQ:495-089-192

(067)469-02-12

ICQ:613-211-859

(099)048-99-03

(093)672-77-76

User's Manual

Car DVR DOD CR65W

In the online store Winauto you also can buy [car DVR DOD CR65W](http://winauto.ua/car-DVR-DOD-CR65W). Delivery in Kyiv and throughout Ukraine with payment upon receipt!

winauto.ua



- Archive - Audio, video - Sound and Components - Car Safety and security - Car DVRs, cameras, parking - Car Goods - Automotive Lighting - Tweak - - Sale -



Online-store car audio and autogoods Winauto



winauto.ua

CR65W

USER MANUAL

MANUEL DE L'UTILISATEUR

CONTENTS

IMPORTANT SAFETY INSTRUCTION	2
PACKAGE CONTENTS.....	3
CONTROLS AND FUNCTIONS	4
INSTALLATION AND CONNECTION	6
GETTING START	7
INTRODUCTION OF OTHER FUNCTIONS	12
ON-SCREEN DISPLAY (OSD) MENUS	14
ADDITIONAL INFORMATION	16

winauto.ua



TABLE DES MATIÈRES

IMPORTANT INSTRUCTIONS DE SÉCURITÉ.....	18
CONTENU DE L'EMBALLAGE	19
COMMANDES ET FONCTIONS.....	20
INSTALLATION ET CONNEXION	22
DÉMARRER.....	23
INTRODUCTION AUX AUTRES FONCTIONS.....	28
MENUS À L'ÉCRAN (OSD).....	30
INFORMATIONS COMPLÉMENTAIRES	32

winauto.ua



IMPORTANT SAFETY INSTRUCTION

About the Product

- Please do not install the product in a highly humid environment.
- Please avoid fierce impact upon the product
- Due to high temperatures during summer, please do not expose the product to long period of time, because it may reduce the product's lifespan.
- Please do not install the product in places that may cause interference while driving.
- A somewhat higher temperature is normal while operating the product; however, if the product is melting and burning, immediately turn off the power.

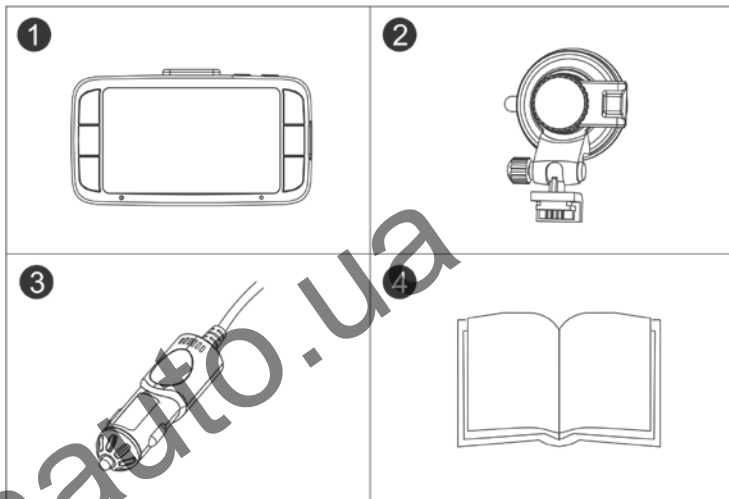
About the car charger

- **Only use the car charger provided by manufacture, others might cause malfunctions or danger**
- To avoid damage, please do not constantly plug in and remove the car charger.
- Ensure it is connected to a proper power source. The voltage requirements are described on the car charger
- Please do not touch the car charger with wet hands.
- If the car charger is damaged, it should be replaced immediately. Please do not try to fix it on your own.

About the Battery

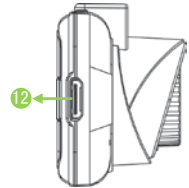
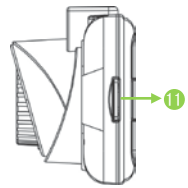
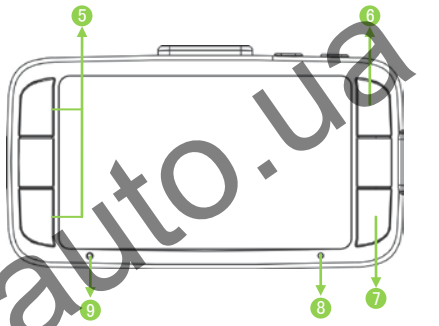
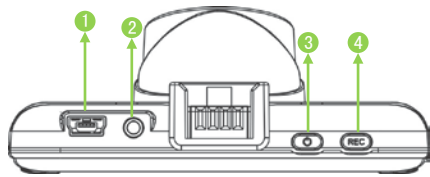
- Only use the battery approved by the manufacturer
- There is a built-in battery, please avoid usage in high-temperature environments

PACKAGE CONTENTS



* Supplied accessories may vary by region.

CONTROLS AND FUNCTIONS



winauto.ua

CONTROLS AND FUNCTIONS

1 USB Port

Turn on/off the unit

2 AV Output Port

3 Power/ [P]]

4 Record/Shutter/OK/[REC]

When the unit is on Recording, press it for

stop Recording.

When it is at Camera Mode, press it for photo shooting.

When it is at Playback Mode, press it for playback pause and play.

When it is at Menu Setting, press it for activating the selected OSD menu item.

5 Arrow Keys/[[◀]], [▶]]

When the On-Screen Display (OSD) menu is

activated, it is used as directional arrows to select the desired menu items.

When it is at Playback mode, press it to select

the file you want to view. During movie playing back, press it to Rewind or fast forward the tape.

6 Menu/SOS Emergency File Lock/[[M]]

Turns on the On-Screen Display (OSD) menu, Exits and saves menu setting. It is not activated when the unit is on recording.

Please press [REC] to stop recording and back to Standby Mode.

When the unit is on recording, press it for file lock.

7 Mode/Mute/[[M]]

It is not activated when the unit is on recording. Please press [REC] to stop

recording and back to Standby Mode.

Toggle the unit among "Camera Mode" "Playback Mode" and "Standby Mode".

Press and hold [M] until icon appears during recording, the record audio turns off.

8 Light Indicator

- Steady blue – Unit is charging
- Steady red – Unit is at Standby Mode, Camera Mode or Playback Mode
- Flashing red – Unit is on Recording but not charging

9 Microphone

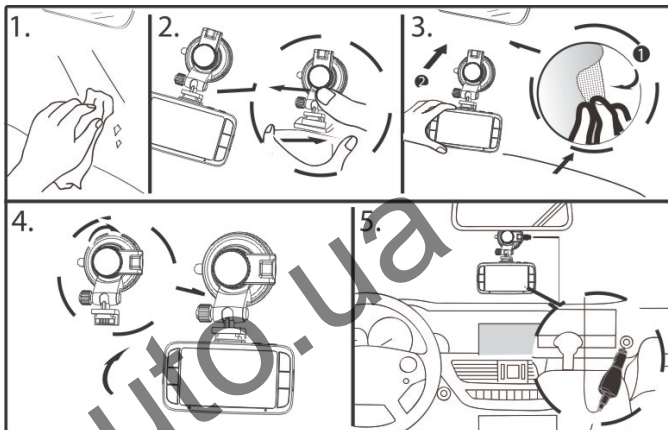
10 Reset Key

11 Micro SD Card Slot

Required a micro SDHC card, class 10 or above.

12 HDMI Output Slot

INSTALLATION AND CONNECTION



NOTE:

- Assemble the unit on to the bracket and mount the bracket on to the windshield glass.
- Only use the car charger provided by manufacture, others might cause malfunctions or danger.
- Please cautiously select the location where the unit will be mounted, do not mount the unit in places that may obstruct the driver's view or affect the normal operation of the airbag.
- If grease, fingerprints, or blots are found on the external/internal windshield of the car, please wipe it clean or install the unit on an unaffected area. Blots may worsen the recording quality or may cause the bracket to be unstable.



GETTING START

1. Insert a memory card (sold separately)

- Please insert a micro SDHC card with class 10 or above, into the slot located on the side of the unit.
- Be sure to format the SD card before the initial use.

**This Camera supports to 32GB Micro SD Card. Please contact with your local deal for purchase information.*

2. Turning the power on / off

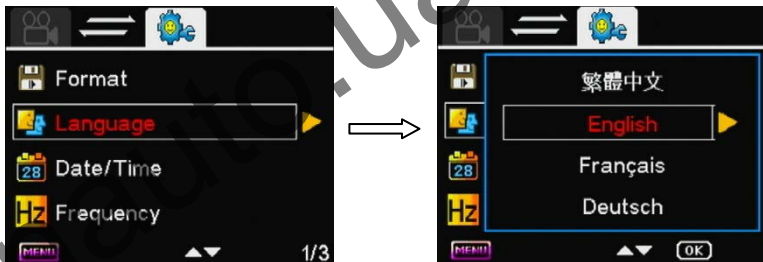
- Press [⏻] button to turn the unit on.
- To turn the unit off, press the [⏻] button again.

**After the unit has been installed in your car, connect the car power adapter and start the engine; the unit will automatically turn on.*

GETTING START

3. Select language

- Press [Menu] Twice to enter system settings, Select [Right Arrow] to Language
 - Press [REC].
 - Press [Left Arrow] or [Right Arrow] to move to Language, and then press [REC] to select the desired language.
- * [Menu] is not activated when the unit is on Recording Mode, please press [REC] to stop recording and return to Standby Mode.





GETTING START

4. Setting the date and time

- Press [] Twice to enter System settings, Select [] to Date/Time.
- Press [REC].
- Press [] / [] , then select [REC] to set Year, Month, Day, Time, and Format fields.
- Press [REC]

5. Video Recording

- When the car engine is started, the unit will automatically start video recording (it is mandatory to insert a micro SDHC class 10 memory card).
- When it is not connected to the car charger, press [] button to turn on the unit, and press [REC] button to start video recording.



GETTING START

6. Taking Photos

- Press [M/] once to Camera Mode
- Press [REC] to take a picture.
- * [M/] cannot be activated when the unit is on Recording Mode, please press [REC] to stop recording and return to Standby Mode.





GETTING START

7. Playback Mode

- Select the preview/next photo/movie
- Press [**M**] twice to enter Playback Mode
- Press [**◀**] / [**▶**] to select the photo or movie clip you want to playback.
- Starting movie playing back
- Press [**REC**] to playback.
- Press [**◀**] and [**▶**] button to navigate.
- Press [**REC**] to pause it.
- Press [**M**] to return to the Playback Mode.



- Delete, Protect and Slide Show
- Press [**⏏**]
- Press [**◀**] / [**▶**] to select Delete, Protect, Slide Show
- Press [**REC**] to confirm
- Press [**⏏**] to exit menu.

INTRODUCTION OF OTHER FUNCTIONS

- **Loop Recording (default)**

Loop Recording can be set at 2/3/5 minutes, it means that the video clip intervals will be set at 2/3/5 minutes long and after memory card is full, the oldest video clips will be deleted and new video clips will take its place.

If Loop Recording is turned off, it will stop recording when the memory card is full.

- **G-Sensor (default at Middle)**

When the internal G-Sensor detects situations like an impact, intense bumps or hard brakes during Recording Mode, the unit will automatically lock the current recording to avoid being replaced by loop recording.

- **Motion Detection**

In Motion Detection Mode, the surrounding of where the car is parked will be recorded taking the least amount of storage space. Recording will automatically be turned off after 10 seconds if nothing happens during the monitor mode. Once there is movement, the unit will start recording immediately.

* The Motion Detection Mode requires the camera to be connected to a constant power supply.

When Motion Detection Mode is activated, Monitor Mode/Emergency Recording Mode and the G-Sensor function will automatically be turned off.

- **Plate Stamp**

Enter your license plate number or desired input, and it will be displayed on the video footage.



INTRODUCTION OF OTHER FUNCTIONS

- **Password settings**

It allows password owner to restrain drivers or others from operating settings, modifying, or deleting the video and picture data files.

- **Image Rotation**

This feature will flip the screen 180 degrees allowing for other recording options.

winauto.ua

ON-SCREEN DISPLAY (OSD) MENUS

Main Menu	Sub Menu	Options	
[MODE]	[UP]/[DOWN] - [OK]	[UP]/[DOWN] - [OK]	
Standby Mode	Recording Setting	WDR	On
		Resolution	1080FHD/720P/720P 60FPS/WVGA/VGA
		Exposure	+3/+2/+1/0/-1/-2/-3
		White Balance	Auto/Daylight/Cloudy/Tungsten/Fluorescent
		Record Audio	Off/On
		Date Stamp	Off/On
		Loop Recording	Off/2 Minutes/3 Minutes/5 Minutes
		Gsensor	Off/High/Middle/Low
		Motion Detection	Off/On
		Plate Stamp	
		Password Setting	
		Image rotation	Off/On
		Format	SD Card
		Language	<i>Support Multiply Language</i>
	Date/Time		
	System Setting	Frequency	50Hz/60Hz
		Beep Sound	Off/On
		Screen Saver	Off/3 Minutes/5 Minutes/10 Minutes
		TV Mode	PAL/NTSC
		Version	<i>firmware version</i>
		Default Setting	Return menu setting to default - Cancel/Ok



ON-SCREEN DISPLAY (OSD) MENUS

Main Menu [MODE]	Sub Menu [UP]/[DOWN] - [OK]	Options [UP]/[DOWN] - [OK]	
Camera Mode	Camera Setting	WDR	On
		Image Size	12M/10M/8M/5M/3M/2MHD/VGA/1.3M
		Color	Normal/Black&White/Sepia
		Anti-Shaking	Off/On
		Capture Mode	Single/2S Timer/5S Timer/10S Timer
		White Balance	Auto/Daylight/Cloudy/Tungsten/ Fluorescent
		ISO	Auto/100/200/400
		Exposure	+3/+2/+1/0/-1/-2/-3
		Date Stamp	Off/Date/ Date/Time
		Quality	Fine/Normal/Economy
Playback Mode		Sharpness	Strong/Normal/Soft
		Delete	Delete Current/Delete All
		Protect	Lock Current/Unlock Current/Lock All/ Unlock All
	Slide Show	2 seconds	

ADDITIONAL INFORMATION

HOW TO PLAYBACK ON COMPUTER

Please go to <http://www.videolan.org/vlc/> to download and install the VLC PLAYER.

HOW TO PLAYBACK ON OTHER DEVICES

There are AV OUT and HDMI OUT slots on the unit for Playback Mode

Please plug the AV or HDMI cable to the unit and connect the other end to the video/ audio equipment.

FIRMWARE UPGRADE

Please visit DOD Tech official website (<http://www.dod-tech.com>) to download the latest firmware for your unit. Before download the updated firmware, please navigate to the System Menu and select "Version" to view the current firmware version.

- Connect the micro SD card into the computer.
- Access DOD Tech website (<http://www.dod-tech.com>) to download the latest software to the SD Card.
- Insert the micro SD card to the unit
- Connect the unit with the external power supply*. The unit will automatically turn on, and running about 40 seconds for firmware upgrading.
- The unit will automatically reboot once finished the firmware update.
- Be sure to format the SD memory card once finished firmware update.

** Recommend connecting the unit with the external power supply instead of using the built-in battery, it might cause the firmware update failure due to power interruption.*

All features, functionality and other product specifications are subject to change without notice or obligation.

Online-store car audio and autogoods Winauto

winauto.ua