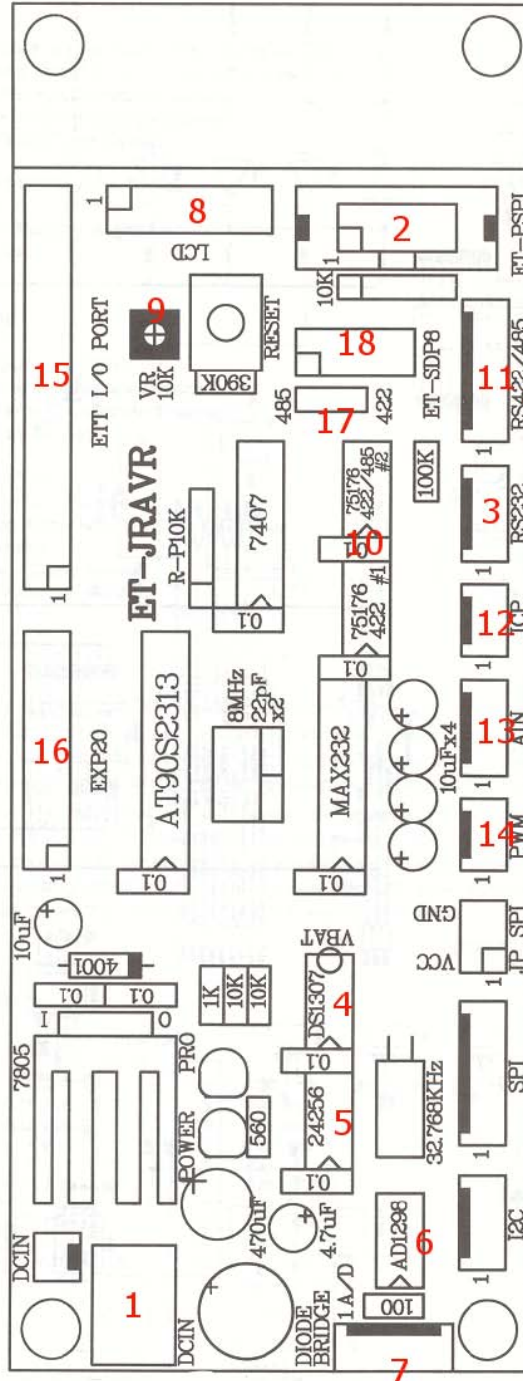


CP-jrAVR Ports Position

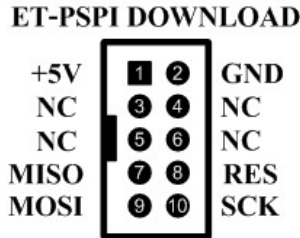


- Number 1 is Power Supply Connector

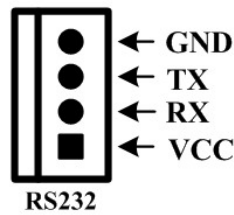
For Voltage Input : 9 – 12 VDC or 6 – 9 VAC

Current Input Available : > 800mA

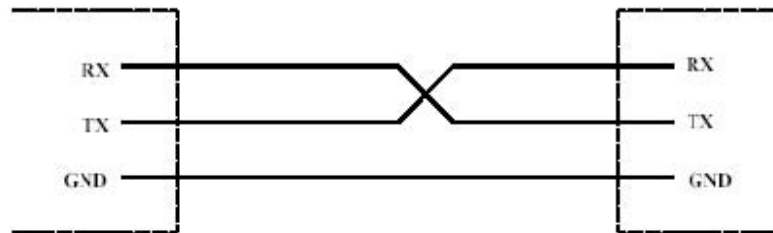
- Number 2 is In-Circuit Programmer Connector please see details in In – Circuit Programmer Section.



- Number 3 is RS-232 Connector



You can use a cable link between control board and your computer



rs232 cable diagram

- Number 4 is Socket for DS1307 Real Time Clock

The DS1307 needs a 3-Volt Battery; please insert a 3-Volt Battery to socket below PCB. See picture below.



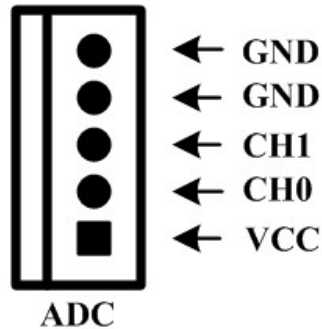
- Number 5 is Socket for 24xx Serial EEPROM

Example 24LC256 (24xx family)

- Number 6 is Socket for LTC1298 A/D Converter

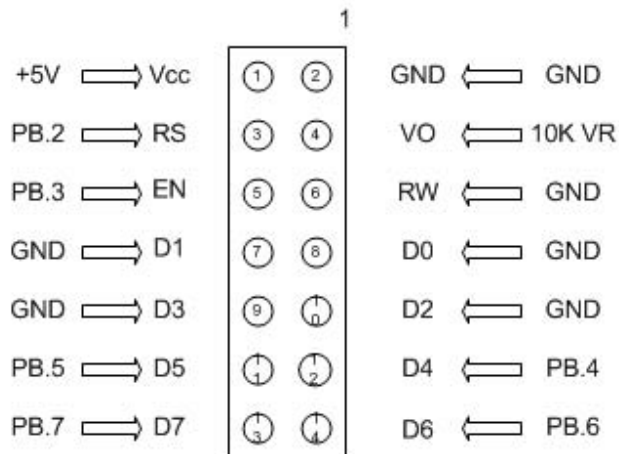
- Number 7 is ADC Connector

This ADC Connector for receive analog input.



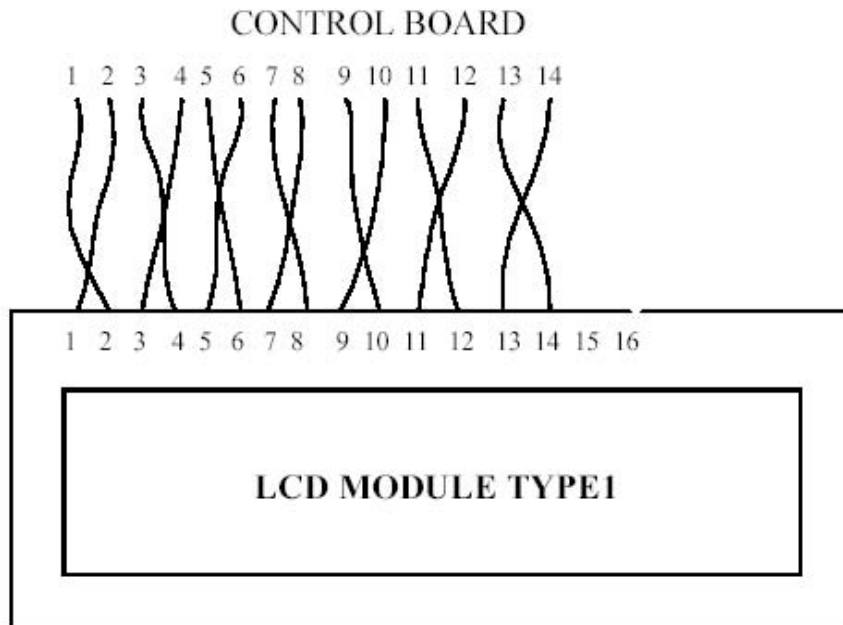
- Number 8 is LCD Module Connector

LCD Module is controlled in 4-bit mode. On the control board, use 10K VR for adjust contrast of LCD Module.



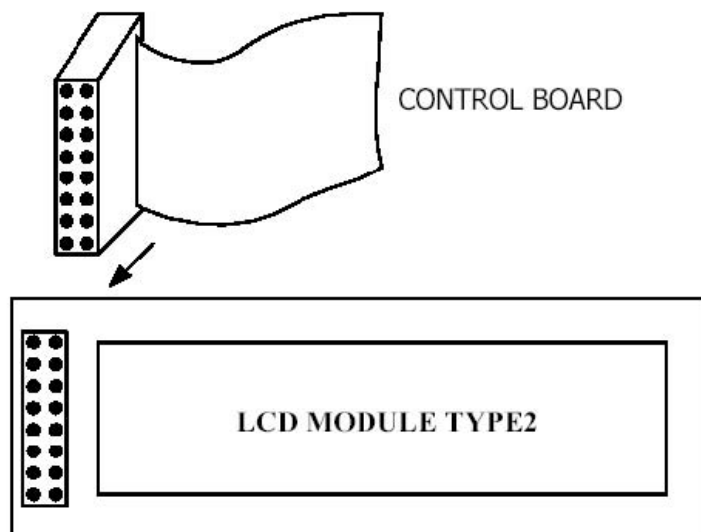
Type 1 LCD Module

If you use type 1 LCD module on control board. You must swap cable because the connector of LCD on the control board is swapped row of pin.



Type 2 LCD Module

From above, the connector of LCD on the control board is swapped the row. When you use type 2 LCD module on control board. You can use Socket for connection by plug on back of LCD module.

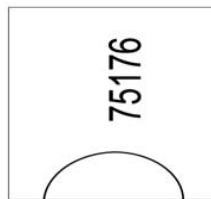
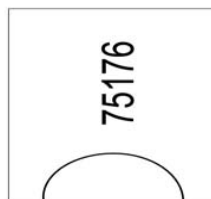


- **Number 9 is 10K VR** This 10K VR for adjust contrast of LCD Module.

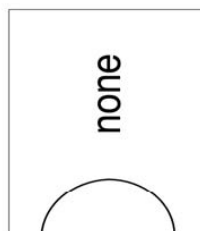
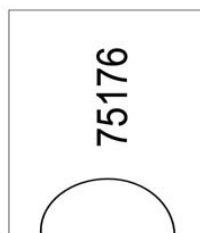
- **Number 10 is Socket for 75176 RS422/RS485 Interface**

If you want to use RS422/RS485 interface, you must remove MAX232 from the MAX232's socket before insert 75176 IC to the socket number 10.

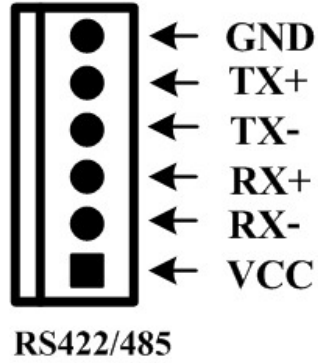
1. RS422 Interface You must insert 75176 IC to the both sockets and select jumper's number 17 in 422 position. See picture below.



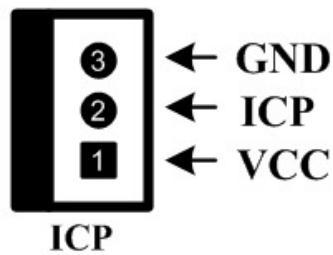
2. RS485 Interface Insert 75176 IC in the top socket and select jumper number 17 in 485 positions. See picture below.



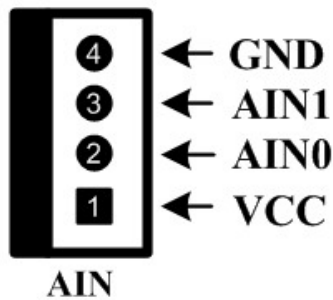
- Number 11 is RS422/485 Connector



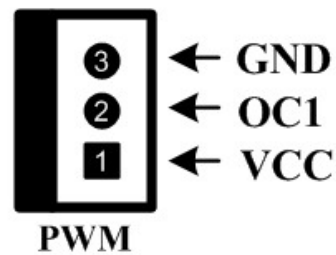
- Number 12 is ICP



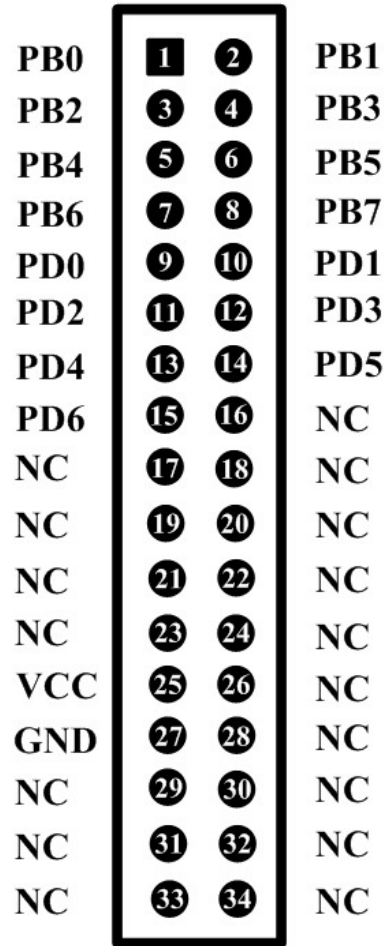
- Number 13 is AIN (Analog input)



- Number 14 is PWM

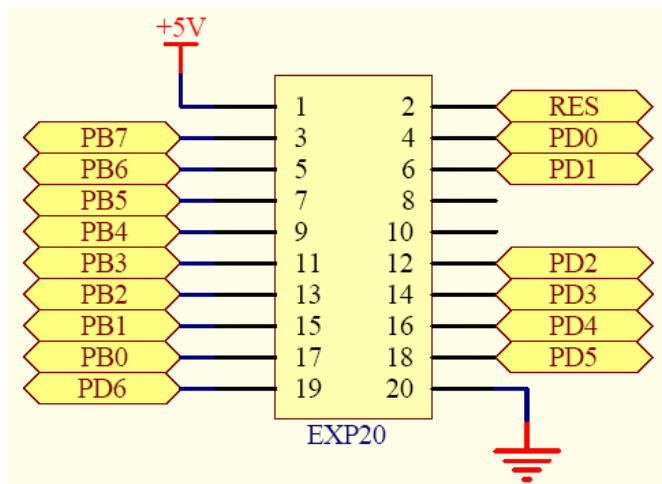


-Number 15 is EXP I/O PORT 34 PIN See diagram in picture below.

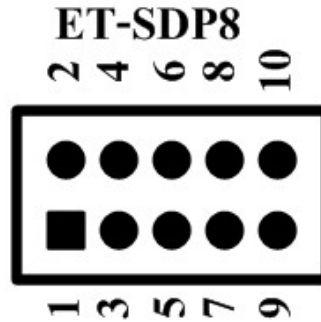


EXP 34 PIN

-Number 16 is EXP20 port See diagram in picture below.

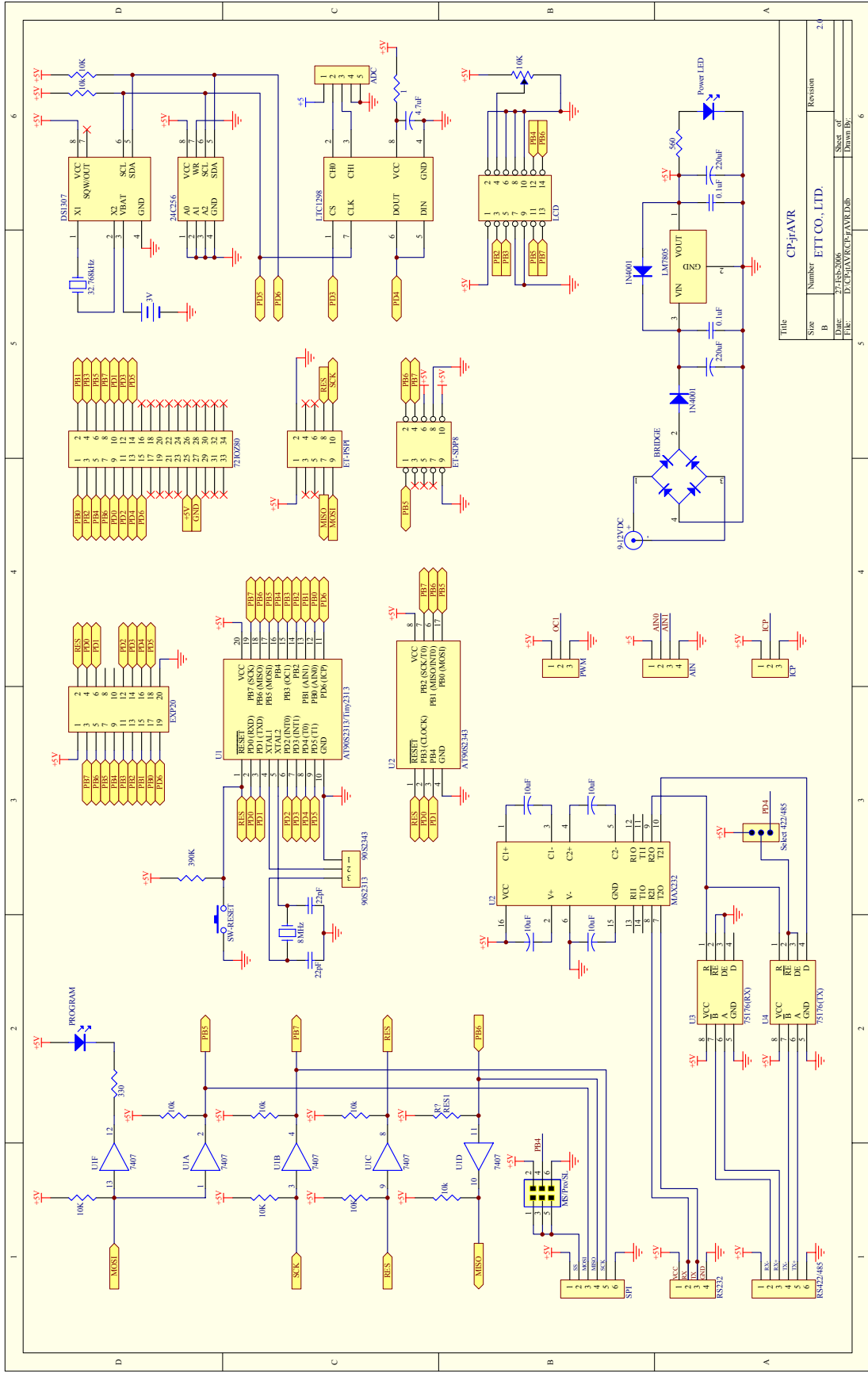


-Number 18 is ET-SDP8 The connector for ET-SDP8 board. (Option)



The picture of ET-SDP8 Display board





Title		CP-Jr AVR	
Size	Number	Revision	
B	B	ETT CO., LTD.	
Date:	27-Feb-2006	Sheet of	
File:	D:\CP\AVR\CP-Jr\AVR.Ddb	Drawn By:	

2/6

5

6