

User's Manual

ImageBox 9MP Standalone

User's Manual

PACKAGE CONTENT

- » Scanner unit
 - » User's manual
 - » USB 2.0 cable
 - » Printer cable
 - » A/C adapter (5V, 1A, DC)
 - » One film strip holder
 - » One mounted slide holder
- (Additional holders available for purchase)

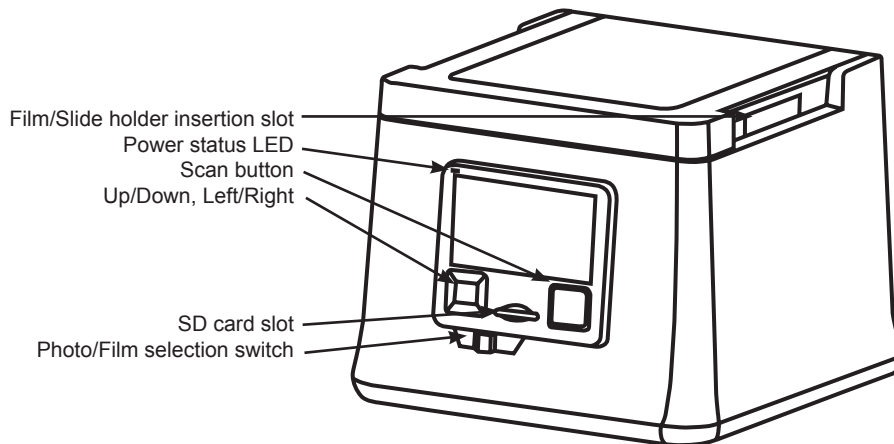
SCANNER COMPONENTS

Front (diagram 1):

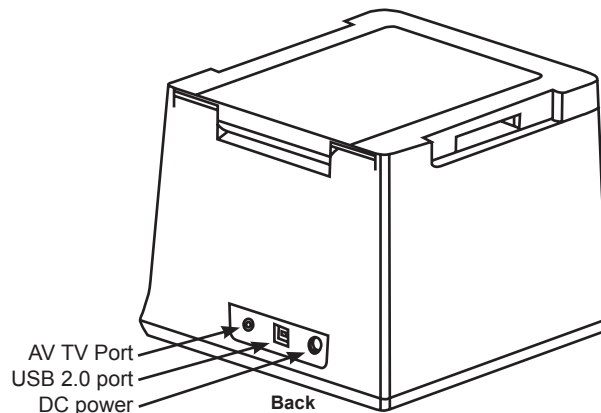
- » Up/Down, Left/Right menu button
- » SD/SDHC card slot
- » Scan button
- » Photo/Film selection switch
- » Power status LED
- » Film/Slide holder insertion slot

Back (diagram 2):

- » DC power
- » USB 2.0 port
- » AV TV port



Front
Diagram 1



Back
Diagram 2

SETUP

1. Remove all tape used to hold items in place for shipping.
2. Place scanner unit on flat surface.
3. Insert SD/SDHC media card (see diagram 1).

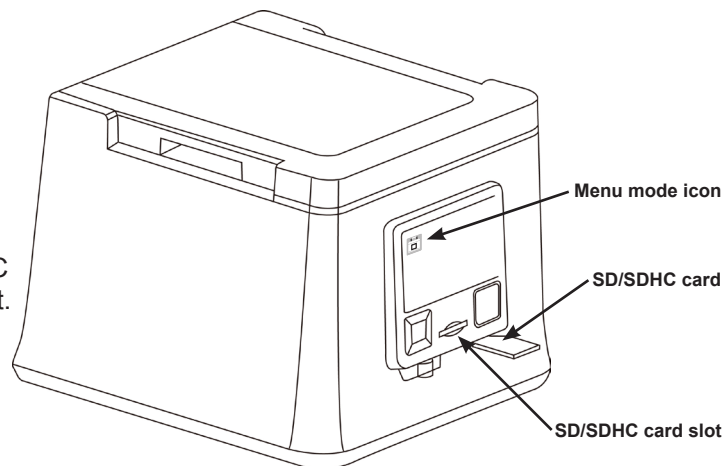
SanDisk	2/4/8/16 GB
Transcend	2/4/16 GB
ADATA	4/16 GB
Kingston	4 GB

Table 1 - Brands of SD memory cards tested to be compatible

4. Connect power source (see diagram 2) - connect AC adapter to back of unit then plug into electrical outlet.

Note: Interface menu (see diagram 3) will display "NO CARD" until functioning card is inserted.

5. The Menu Mode icon will be displayed in the top left side of the display (diagram 3).



**Interface Menu
Diagram 3**

SCANNING PHOTOS

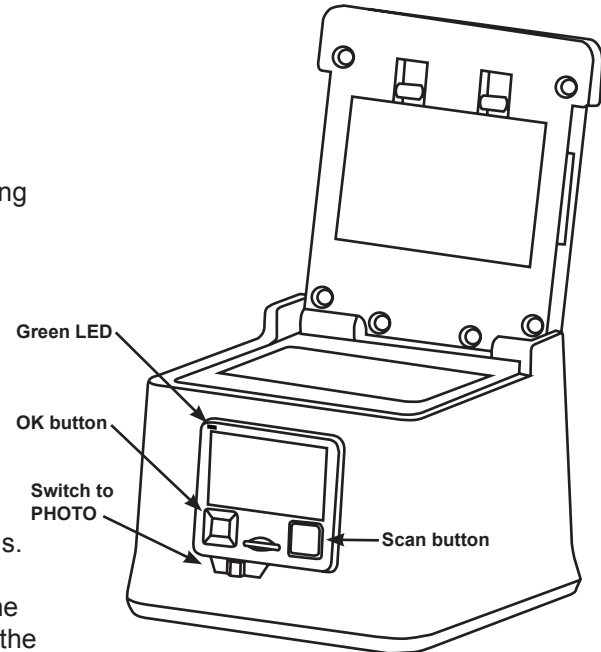
1. Slide the switch on the front of the scanner to **PHOTO** (diagram 4).
2. Lift scanner lid, place photo face down on scanner glass.
Do not remove white film scanner cover.
3. Position photo towards the arrow on the bottom right of scanning area.
4. Close scanner lid.
5. Enter the Image Size:
 - a. Press **OK** to display scanning options menu icons (diagram 4).



- b. Press the **right arrow** once to choose image size settings.
- c. Press the **Up/Down** arrows to highlight the desired size, press **OK**. The preview display will indicate the area of the photo that will be scanned with a yellow frame based on the select size.

6. Press **Scan** button (diagram 4), green LED will flash and “CAPTURING” will be displayed on the preview screen.

Scanning of the photo is now complete.



Open scanner lid
Diagram 4

OPTIONS FOR SCANNING PHOTOS

The following options are available in the photo scanning process:

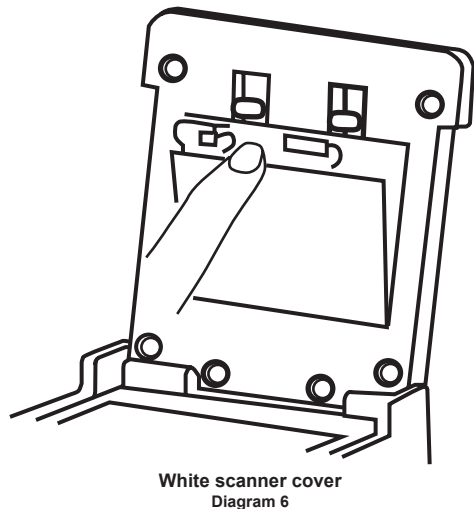
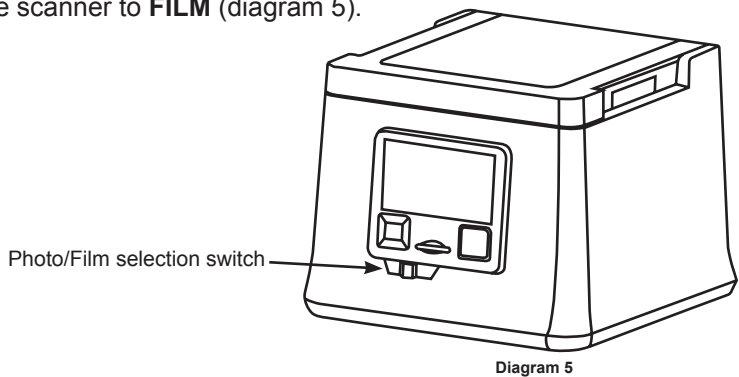


- » **Scan:** Switch between scanning and previewing images in card mode.
- » **Photo (size):** Select photo size, 4x6, 3x5, etc.
- » **Brightness:** Adjust final brightness to be lighter or darker.
- » **Magic Touch:** ~ for scanning film only ~
- » **Setup:** Hardware settings - LCD display, Display (TV) settings (NTSC = USA, PAL = Other countries), Quality, Size, Quick view, Interval (slide show), Slide show effect, Power save (duration), Language, Format, Reset (to default settings).

Note: Press any button if the scanner is in power save mode (green LED flashing, preview screen off).

SCANNING FILM STRIPS AND MOUNTED SLIDES

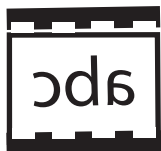
1. Slide the switch on the front of the scanner to **FILM** (diagram 5).



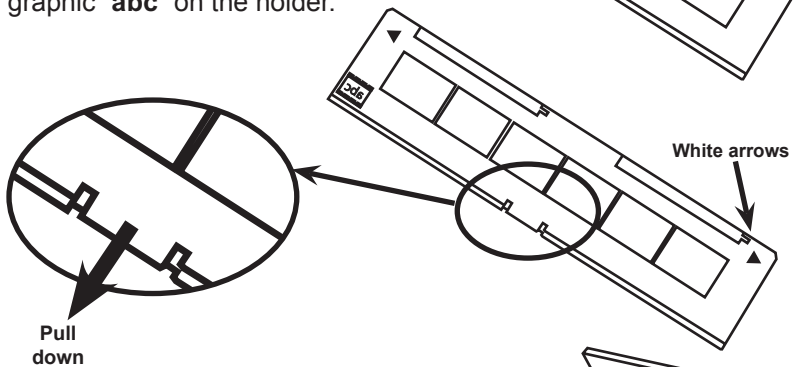
2. Open the scanner lid and remove the white film scanner cover by pressing down on the two tabs (diagram 6). Keep the cover for scanning photos.
3. Close the scanner lid.
4. Load negatives into holder:

(continued)

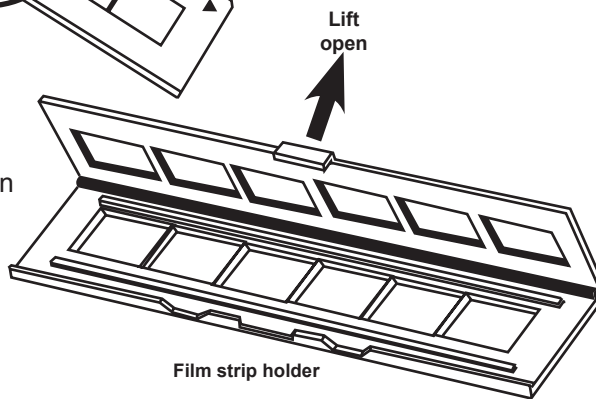
FILM STRIP



a. Orient film strip based on the example graphic “abc” on the holder.



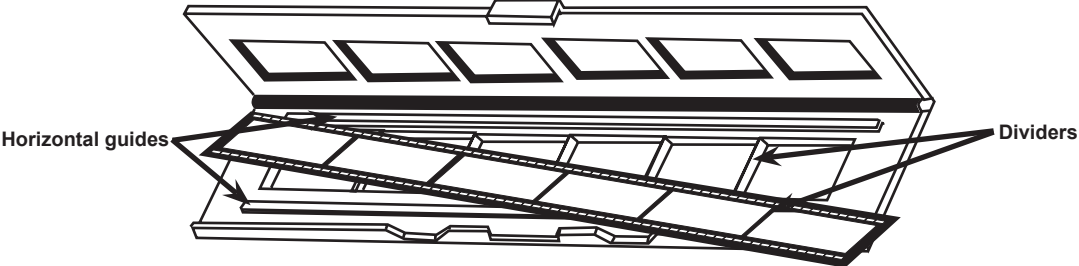
b. Open film holder by pulling down on the tab on the bottom center of the holder. Lift the front part of the holder. The top side of the holder is marked with white arrows.



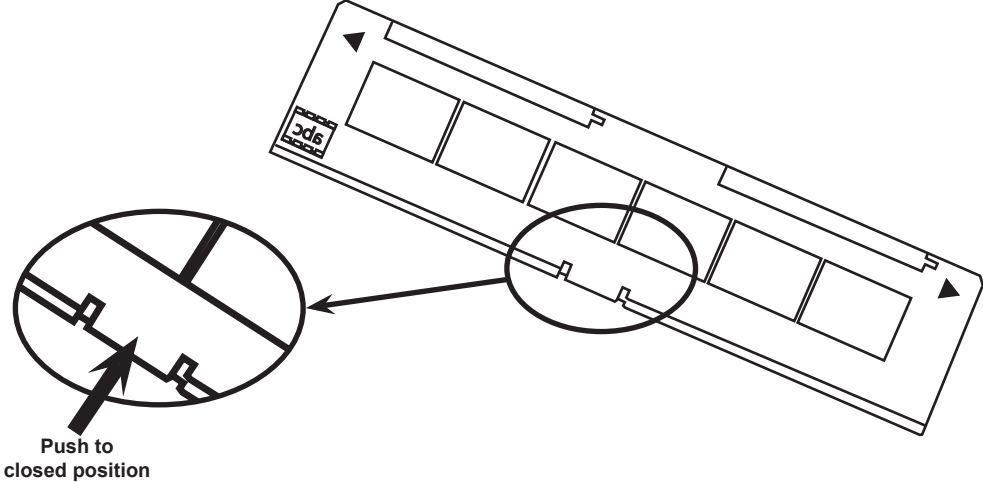
(continued)

Film strip holder

c. Insert the orientated film negative into the holder between the horizontal guides. Carefully line up the dividers on the film negative with the dividers on the holder.

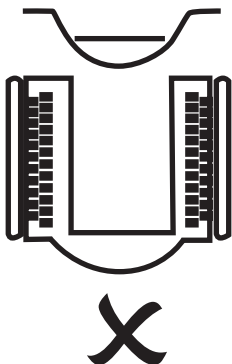


d. Close the holder and push the tab to the closed position.

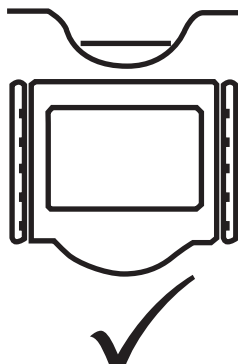


MOUNTED SLIDES

- Orient slides based on the example graphic “**abc**” on the holder.
- Insert mounted slides into the holder.

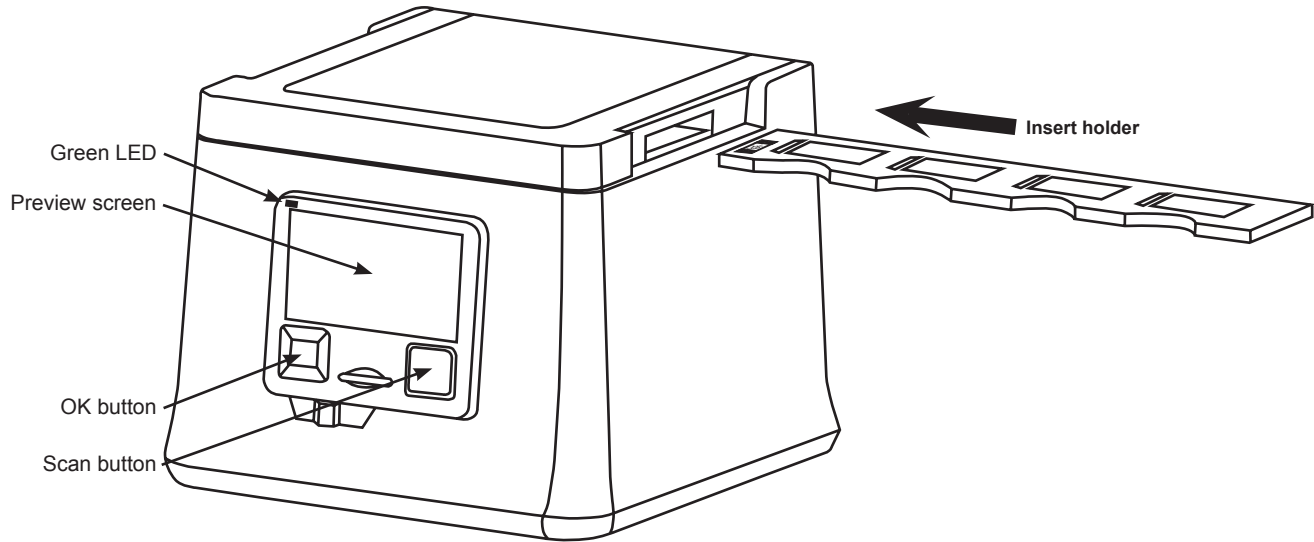


Incorrect



Correct

(continued)



Insert slide holder
Diagram 7

5. Insert the holder into the scanner (diagram 7) with the white arrows on the holder matching the white arrows on the scanner, the film image will appear on the scanner preview screen.
6. Center the film holder. The image will appear centered on the preview screen.
7. Select the SCAN button to scan and save the image file to the memory card, the green LED will flash and "CAPTURING" will be displayed on the preview screen.

Scanning a single slide is now complete.

OPTIONS FOR FILM STRIPS/SLIDES

The following options are available in the film scanning process:



- » **Scan:** Switch between scanning and previewing images in card mode
- » **Film** (positive, negative, black and white)
- » **Brightness**
- » **Magic Touch:** Removes dust and scratches from film and slides, not available for photos.
- » **Setup:** Hardware settings - LCD display, Display (TV) settings (NTSC = USA, PAL = Other countries), Quality, Size, Quick view, Interval (slide show), Slide show effect, Power save (duration), Language, Format, Reset (to default settings).

BROWSE SCANNED IMAGES AND DISPLAY SETTINGS

1. Select the FILE BROWSER icon from the **scan menu**.



2. Select the **right/left** arrow buttons to scroll through images of the scans stored as files on the memory card.

3. Select **OK** again to see the **FILE PREVIEW** menu options.



Scan Preview



Preview - to change the number of images displayed at once on the preview screen.

- » 1x1
- » 2x2
- » 3x3



Slideshow



Edit

- » Rotate
- » Delete

Select "**Edit**" icon to apply rotate or delete to ***all*** of the scans stored on the memory card.

SETUP MENU



SCAN PREVIEW



FILE PREVIEW



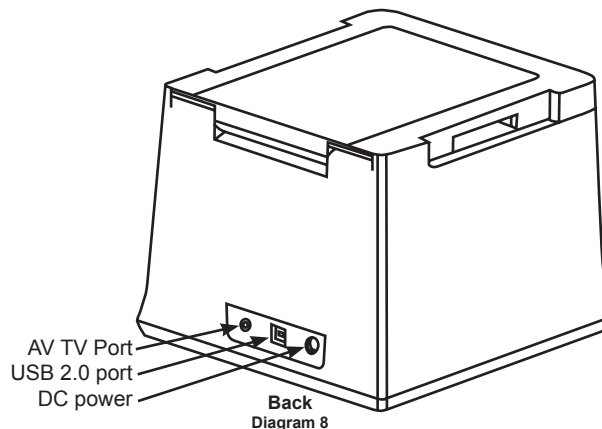
Available from both the **SCAN PREVIEW** and **FILE PREVIEW** menu.

- » **LCD:** Dark / Normal / Bright
- » **Display:** NTSC / PAL
- » **Quality:** S. Fine / Fine / Normal
- » **Size:** 12M / 9M / 5M / 1M
- » **Q. View:** 1 Sec / 2 Sec / 3 Sec / Off
- » **Interval:** 2 Sec / 3 Sec / 5 Sec / 10 Sec
- » **SS Effect (Slide Show):** Effect 1 / Effect 2 / Effect 3 / Effect 4 / Effect 5 / Mix / Off
- » **PWR Save (Power Save):** 1 Min / 3 Min / 5 Min / 10 Min / Off
- » **Language:** English / Nederlands / Français / Deutsch / Italiano / Español / etc.
- » **Format:** Yes / No
- » **Reset:** Yes / No

DISPLAY SCANS ON TV

The display from the scanner can be displayed on a television rather than the built in scanner preview screen using the AV video port.

1. Set the television to AV mode (see TV documentation for details).
2. Connect the included AV cable to the video port on the TV.
3. Connect the other end of the cable to the AV port on the back of the scanner.
4. Video output from the scanner can now be seen on the connected TV including the full menu interface.



ACCESS STORED SCAN FILES WITH COMPUTER

The files stored on the SD card can be accessed by a computer.

1. Connect the supplied USB cable to the computer USB port.
2. Connect the other end of the cable to the USB port on the back (diagram 8) of the scanner.
3. Through the operating system on the computer, the contents of the SD card will be available as removable media.
4. Copy the files to the computer hard drive for storage and alteration.