



MODULAR GARAGE REFRIGERATOR

Use & Care Guide

REFRIGERADOR MODULAR PARA GARAGE

Manual de uso y cuidado

RÉFRIGÉRATEUR MODULAIRE POUR GARAGE

Guide d'utilisation et d'entretien

Table of Contents/Índice/Table des matières 2



**THE BEST GARAGE ON THE BLOCK.™
EL MEJOR GARAGE DE LA CUADRA.™
LE MEILLEUR GARAGE DU QUARTIER.™**

**5019 602 33056/
2253700A**

In U.S.A. call: 1-866-342-4089
En EE. UU. llame al: 1-866-342-4089
Aux É.-U. téléphoner au 1-866-342-4089

In Canada call: 1-800-807-6777
En Canadá llame al: 1-800-807-6777
Au Canada téléphoner au 1-800-807-6777

www.GladiatorGW.com
www.gladiatorgarageworks.ca

TABLE OF CONTENTS

REFRIGERATOR SAFETY	2	Refrigerator Shelves	7
Proper Disposal of Your Old Refrigerator.....	3	Normal Sounds	7
INSTALLATION REQUIREMENTS	3	REFRIGERATOR USE	7
Tools and Parts	3	Using the Control.....	7
Location Requirements	3	REFRIGERATOR CARE	8
Electrical Requirements	4	Cleaning	8
INSTALLATION INSTRUCTIONS	4	Change the Light Bulb.....	8
Unpack the Refrigerator	4	Vacation and Moving Care.....	8
Install the Caster Plate.....	4	TROUBLESHOOTING	8
Reverse the Door Swing	6	ASSISTANCE OR SERVICE	9
Install the Bumpers	6	In the U.S.A.....	9
Install the Top Tray	6	In Canada.....	9
Install the Handle	7	WARRANTY	10
Install the Can Rack	7		

ÍNDICE

SEGURIDAD DEL REFRIGERADOR	11	Estantes del refrigerador	16
Cómo deshacerse adecuadamente de su refrigerador viejo.....	11	Sonidos normales.....	16
REQUISITOS DE INSTALACIÓN	12	USO DE SU REFRIGERADOR	16
Piezas y Herramientas	12	Uso del control	16
Requisitos de ubicación	12	CUIDADO DE SU REFRIGERADOR	17
Requisitos eléctricos.....	12	Limpieza.....	17
INSTRUCCIONES DE INSTALACIÓN	13	Cómo cambiar el foco	17
Desempaque el Refrigerador.....	13	Cuidado durante las vacaciones y mudanzas	17
Instalación de la plancha con ruedecillas.....	13	SOLUCIÓN DE PROBLEMAS	17
Cómo invertir el cierre de la puerta	14	AYUDA O SERVICIO TÉCNICO	18
Instalación de los parachoques.....	14	En los EE.UU.....	18
Instalación de la bandeja superior.....	15	En Canadá	19
Instalación de la manija	15	GARANTÍA	19
Instalación del portatalas.....	16		

TABLE DES MATIÈRES

SÉCURITÉ DU RÉFRIGÉRATEUR	20	Étagères du réfrigérateur.....	25
Mise au rebut de votre vieux réfrigérateur	20	Bruits normaux	25
EXIGENCES D'INSTALLATION	21	UTILISATION DU RÉFRIGÉRATEUR	25
Outillage et composants.....	21	Réglage de température.....	25
Exigences d'emplacement	21	ENTRETIEN DU RÉFRIGÉRATEUR	26
Spécifications électriques.....	21	Nettoyage	26
INSTRUCTIONS D'INSTALLATION	22	Remplacement de la lampe.....	26
Déballage du réfrigérateur	22	Précautions à prendre pour les vacances et avant un déménagement.....	26
Installation du plateau à roulettes.....	22	DÉPANNAGE	26
Inversion du sens d'ouverture de la porte.....	23	ASSISTANCE OU SERVICE	27
Installation des tringles de butée.....	23	Aux États-Unis.....	27
Installation du plateau supérieur.....	24	Au Canada	28
Installation de la poignée	24	GARANTIE	28
Installation du râtelier à cannettes.....	25		

REFRIGERATOR SAFETY

Your safety and the safety of others are very important.

We have provided many important safety messages in this manual and on your appliance. Always read and obey all safety messages.



This is the safety alert symbol.

This symbol alerts you to potential hazards that can kill or hurt you and others.

All safety messages will follow the safety alert symbol and either the word "DANGER" or "WARNING." These words mean:



You can be killed or seriously injured if you don't immediately follow instructions.



You can be killed or seriously injured if you don't follow instructions.

All safety messages will tell you what the potential hazard is, tell you how to reduce the chance of injury, and tell you what can happen if the instructions are not followed.

IMPORTANT SAFETY INSTRUCTIONS

WARNING: To reduce the risk of fire, electric shock, or injury when using your refrigerator, follow these basic precautions:

- Plug into a grounded 3 prong outlet.
- Do not remove ground prong.
- Do not use an adapter.
- Do not use an extension cord.
- Disconnect power before servicing.
- Replace all panels before operating.
- Remove doors from your old refrigerator.
- Use nonflammable cleaner.
- Keep flammable materials and vapors, such as gasoline, away from refrigerator.
- Use two or more people to move and install refrigerator.

SAVE THESE INSTRUCTIONS

Proper Disposal of Your Old Refrigerator

⚠ WARNING

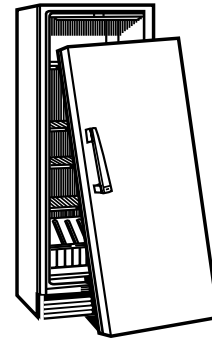
Suffocation Hazard

Remove doors from your old refrigerator.
Failure to do so can result in death or brain damage.

IMPORTANT: Child entrapment and suffocation are not problems of the past. Junked or abandoned refrigerators are still dangerous – even if they will sit for “just a few days.” If you are getting rid of your old refrigerator, please follow these instructions to help prevent accidents.

Before you throw away your old refrigerator or freezer:

- Take off the doors.
- Leave the shelves in place so that children may not easily climb inside.



INSTALLATION REQUIREMENTS

Tools and Parts

Check that you have everything necessary for correct installation. Proper installation is your responsibility.

Tools Needed:

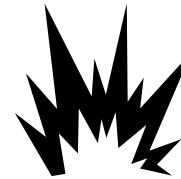
- $\frac{5}{16}$ in. Wrench
- Phillips screwdriver
- Flat-blade screwdriver

Parts Supplied:

- Top tray (1)
- Tray mat (1)
- Bumpers (2)
- Caster plate (1)
- Can rack (1)
- Shelves (2)
- Door handle (1)
- Hex-key wrench (1)
- Socket-head cap screws (6)
- Ferrules (6)
- #8 x $\frac{1}{2}$ in. Pan-head screws (4)
- #10 x 1 in. Pan-head screws (4)
- #8 x $\frac{1}{2}$ in. Countersink handle screws (4)

Location Requirements

⚠ WARNING



Explosion Hazard

Keep flammable materials and vapors, such as gasoline, away from refrigerator.

Failure to do so can result in death, explosion, or fire.

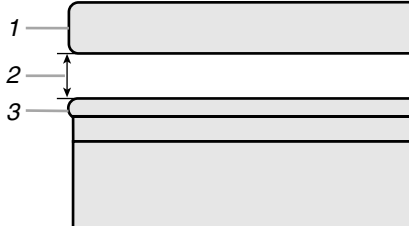
The garage refrigerator has been designed to be used in a garage area (or equivalent) in an indoor space. Do not install the refrigerator near an oven, radiator, or other heat source.

Your refrigerator operates most efficiently when located in an area where the temperature is normally between 0°F (-18°C) and 120°F (49°C).

The garage refrigerator is equipped with a heater to keep contents from freezing in cold outside temperatures below 32°F (0°C) and above 0°F (-18°C).

Installation Clearances

IMPORTANT: If you are installing your garage refrigerator under a workbench, allow a minimum of 1 1/8 in. (30 mm) between the top of the refrigerator and the bottom of the workbench.



1. Workbench
2. 1 1/8 in. (30 mm) minimum space
3. Refrigerator

Electrical Requirements

⚠️ WARNING



Electrical Shock Hazard

Plug into a grounded 3 prong outlet.

Do not remove ground prong.

Do not use an adapter.

Do not use an extension cord.

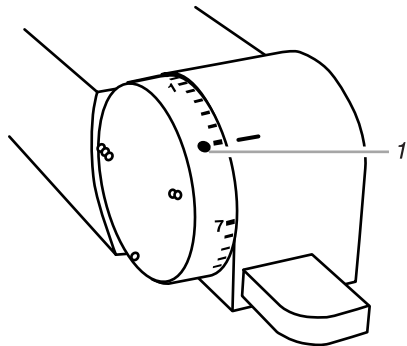
Failure to follow these instructions can result in death, fire, or electrical shock.

Before you move your refrigerator into its final location, it is important to make sure you have the proper electrical connection:

Recommended grounding method

A 115 Volt, 60 Hz., AC only 15 or 20 ampere fused, grounded electrical supply is required. It is recommended that a separate circuit serving only your refrigerator be provided. Use an outlet that cannot be turned off by a switch. Do not use an extension cord.

NOTE: Before performing any type of installation, cleaning, or removing a light bulb, turn the control to the off position as shown and then disconnect the refrigerator from the electrical source.



1. Off position

When you are finished, reconnect the refrigerator to the electrical source and reset the control to the desired setting. See "Using the Control."

INSTALLATION INSTRUCTIONS

Unpack the Refrigerator

⚠️ WARNING

Excessive Weight Hazard

Use two or more people to move and install refrigerator.

Failure to do so can result in back or other injury.

1. Remove the refrigerator shipping carton, flatten it, and place it next to the refrigerator on the floor.
2. Unpack accessories and hardware from the small box. Verify contents. See "Tools and Parts."
3. Untape and open the refrigerator door to remove the shelves and the installation instructions. Follow the instructions for proper assembly.
4. Retape the refrigerator door to keep it closed until the handle installation is complete.

Install the Caster Plate

⚠️ WARNING

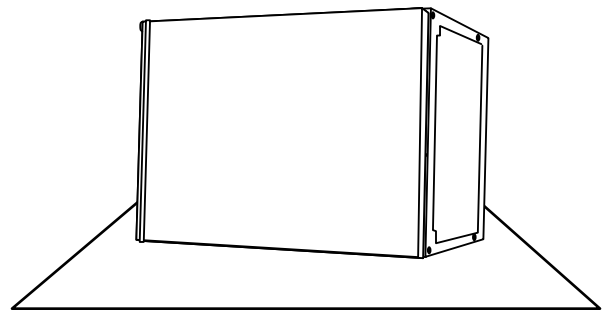
Excessive Weight Hazard

Use two or more people to move and install refrigerator.

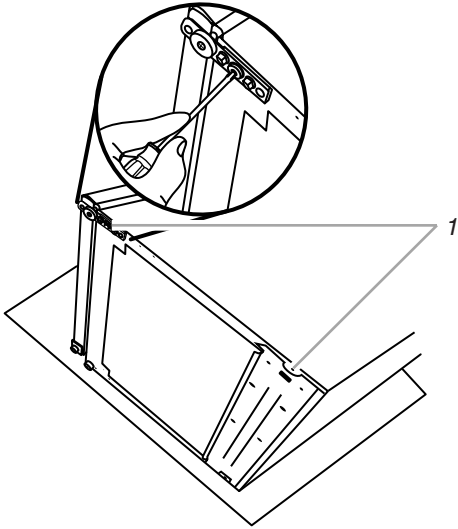
Failure to do so can result in back or other injury.

IMPORTANT:

- Always lay the refrigerator on its side during the caster plate installation. If you lay the refrigerator on its back, you can damage the refrigerator.
 - Never place refrigerator on its top. It may damage the compressor.
 - Allow the refrigerator to sit on its casters for 4 hours before plugging into an electrical outlet.
1. Using 2 or more people, lay the refrigerator on its side.



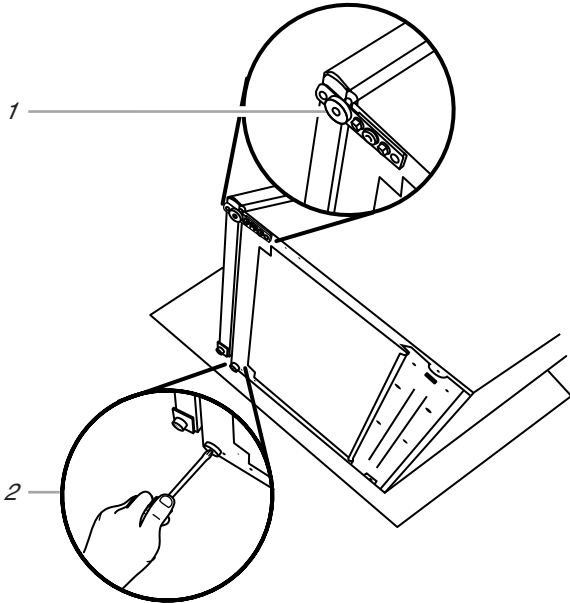
- Remove and discard the 2 Phillips-head screws as shown.



1. Phillips-head screws

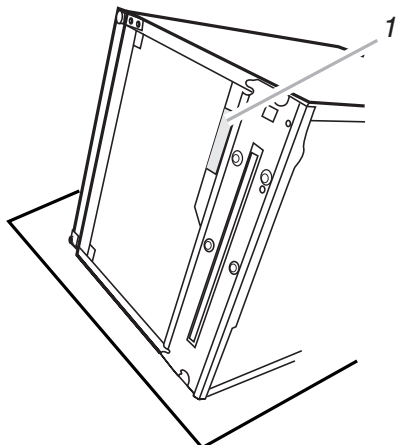
- Using a Phillips screwdriver, remove and discard the front leveling leg on the side of the refrigerator opposite the door hinge as shown.

NOTE: The front leveling leg on the door hinge side of the refrigerator should remain in place.



1. Front leveling leg - Door hinge side
2. Front leveling leg - Opposite side

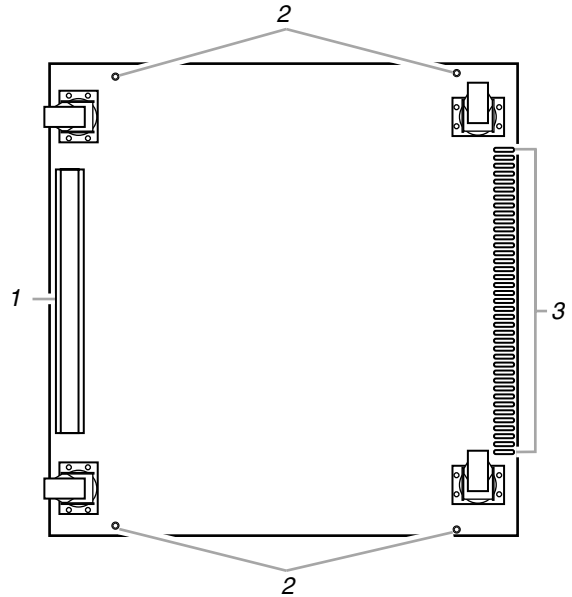
- Remove the shipping block from between the compressor and the back of the refrigerator.



1. Shipping block

NOTE: If you want to reverse the door swing, you should do so before you attach the caster plate. Go to “Reverse the Door Swing” section.

- Position the caster plate on the bottom of the refrigerator with the reinforcement bar to the front and the vent holes to the back. Align the mounting pins with the holes created by removing the screws in Step 2.

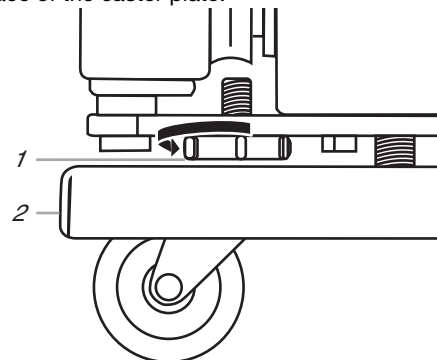


1. Reinforcement bar
2. Mounting pins
3. Vent holes

- Attach the caster plate to the refrigerator using the (4) #10 x 1 in. pan-head screws (provided). Start the first screw in the door hinge corner. Then, start a second screw in the opposite corner. Finally, start the remaining 2 screws.

NOTE: Do not tighten any screws until all the screws have been started.

- Turn the remaining front leveling leg on the door hinge side of the refrigerator counterclockwise until the leveling leg pad touches the surface of the caster plate.

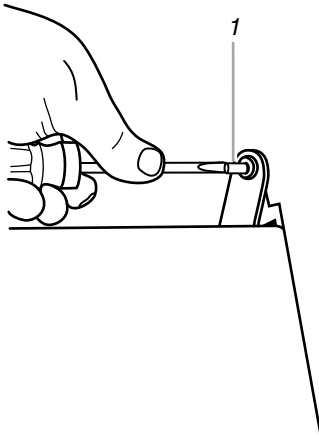


1. Leveling leg pad
2. Caster plate

Reverse the Door Swing (optional)

NOTE: If the caster plate is already installed, it must be removed before reversing the door swing. See "Install the Caster Plate."

1. Using a flat-blade screwdriver, remove the hinge pin from the top hinge as shown. Remove the door.



1. Top hinge pin

2. Replace the top hinge pin in the opposite hinge and tighten.
3. Guide the door into position, inserting the top hinge pin into the hinge located in the door.
4. Align the edge of the door with the edge of the cabinet.
5. Install the bottom hinge and tighten.
6. Return to Step 5 of "Install the Caster Plate."

Install the Bumpers

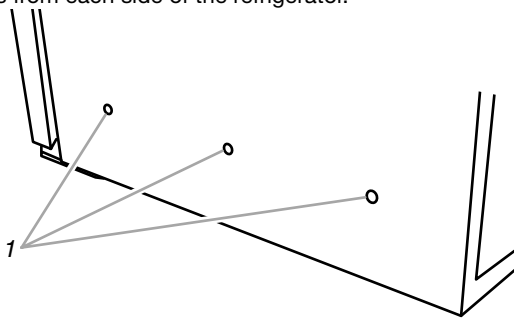
WARNING

Excessive Weight Hazard

Use two or more people to move and install refrigerator.

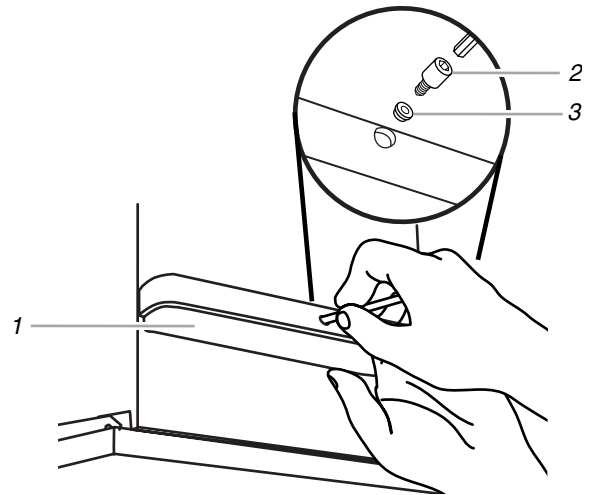
Failure to do so can result in back or other injury.

1. Using 2 or more people, turn the refrigerator upright on its casters.
2. Using a flat-blade screwdriver, remove the 3 white, plastic hole plugs from each side of the refrigerator.



1. Plastic hole plugs

3. Attach 1 bumper to each side of the refrigerator using 3 ferrules and 3 socket-head cap screws (provided) for each bumper.

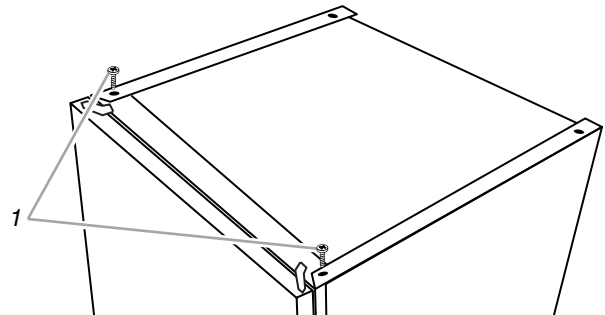


1. Bumper
2. Socket-head cap screw
3. Ferrule

4. Using the hex-key wrench (provided), tighten all the screws.
NOTE: To keep from stripping the screws, do not overtighten.

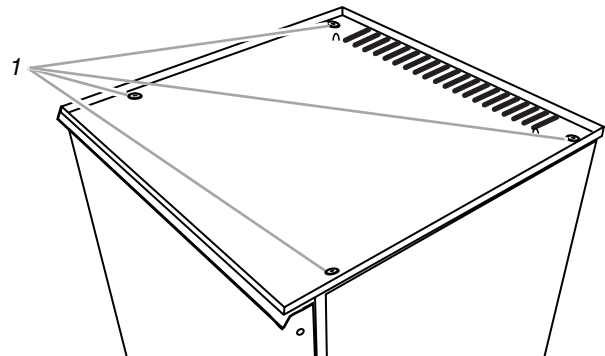
Install the Top Tray

1. Remove the 2 screws from the front of the cabinet top.



1. Remove screws

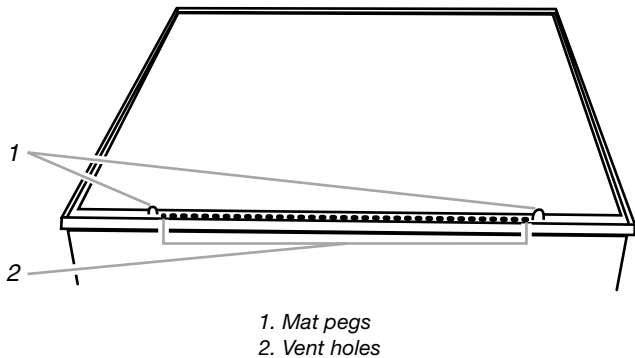
2. Position the top tray on the refrigerator cabinet top with the vent holes to the back.



1. Pan-head screws

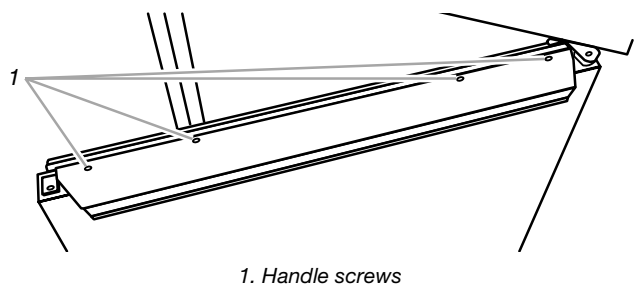
3. Align the screw holes and attach the top tray to the cabinet top using (4) #8 x 1/2 in. pan-head screws as shown.

- Place the mat in the top tray.
NOTE: Tuck the mat behind the mat pegs to keep the vent holes clear as shown.



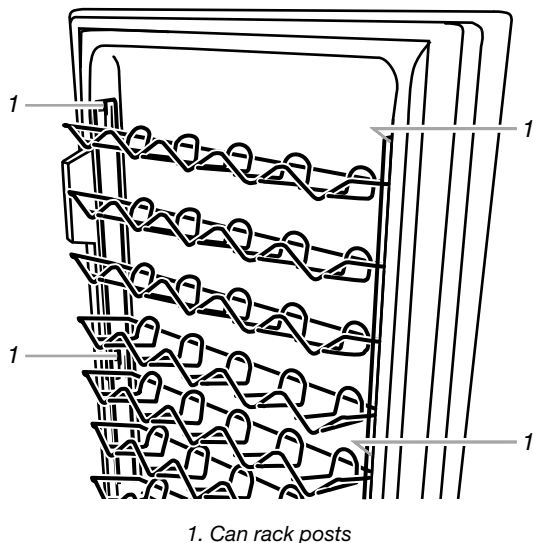
Install the Handle

- Untape and open the door.
- Install the handle using (4) #8 x 1/2 in. countersink handle screws as shown.



Install the Can Rack

- NOTE:** Maximum load is (35) 12 oz. cans.
- Slide the 4 can rack posts between the notches on the door liner.
 - Check to make sure the rack is firmly in place.



Refrigerator Shelves

To install shelves:

- Determine the shelf placement inside the refrigerator.
- Place the shelf into the desired shelf glide and slide it toward the back fully past the shelf stop.

To remove shelves:

- Lift the shelf up and over the shelf stop in the back.
- Pull it toward you until it comes out of the shelf glide.

Normal Sounds

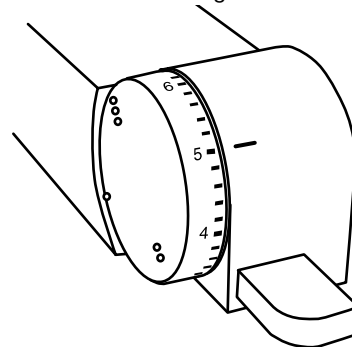
Your new refrigerator may make sounds that your old one didn't make. Because the sounds are new to you, you might be concerned about them. Most of the new sounds are normal. Hard surfaces, such as the floor, walls, and cabinets, can make the sounds seem louder. The following describes the kinds of sounds and what may be making them.

- Your refrigerator is designed to run more efficiently to keep your food items at the desired temperatures and to minimize energy usage. The high efficiency compressor and fans may cause your refrigerator to run longer than your old one. You may also hear a pulsating or high-pitched sound from the compressor or fans adjusting to optimize performance.
- Rattling noises may come from the flow of refrigerant or items stored inside the refrigerator.
- As each cycle ends, you may hear a gurgling sound due to the refrigerant flowing in your refrigerator.
- You may hear water running into the drain pan during the defrost cycle.
- You may hear clicking sounds when the refrigerator starts or stops running.

REFRIGERATOR USE

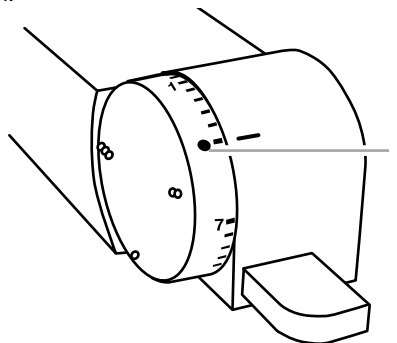
Using the Control

For your convenience, your refrigerator control is preset at the factory. When you first install your refrigerator, make sure that the control is still preset to the mid-setting 5 as shown.



To turn your refrigerator off, turn the refrigerator control to the off position as shown.

NOTE: Your product will not cool when the refrigerator control is in the off position.



Adjusting Controls

The mid-setting indicated in the previous section should be correct for normal usage. The control is set correctly when beverages are as cold as you like.

If you need to adjust the temperature, wait at least 24 hours between adjustments and then recheck the temperature.

To make the refrigerator colder, adjust the control to the next higher setting. To make the refrigerator less cold, adjust the control to the next lower setting.

REFRIGERATOR CARE

Cleaning

⚠ WARNING



Explosion Hazard

Use nonflammable cleaner.

Failure to do so can result in death, explosion, or fire.

Clean the refrigerator about once a month to prevent odors from building up. Wipe up spills immediately.

To clean your refrigerator:

1. Unplug refrigerator or disconnect power.
2. Remove all removable parts from inside, such as shelves, etc.
3. Hand wash, rinse, and dry removable parts and interior surfaces thoroughly. Use a clean sponge or soft cloth and a mild detergent in warm water.
 - Do not use abrasive or harsh cleaners such as window sprays, scouring cleansers, flammable fluids, cleaning waxes, concentrated detergents, bleaches or cleansers containing petroleum products on plastic parts, interior and door liners or gaskets. Do not use paper towels, scouring pads, or other harsh cleaning tools. These can scratch or damage materials.
 - To help remove odors, you can wash interior walls with a mixture of warm water and baking soda (2 tbs. to 1 qt. [26 g to 0.95 L] of water).
4. Replace the removable parts.
5. Clean the condenser coils regularly. They are located at the back of the cabinet. Coils may need to be cleaned as often as every other month. This may help save energy.
 - Use a vacuum with an extended attachment to clean the condenser coils when they are dusty or dirty.
6. Plug in refrigerator or reconnect power.

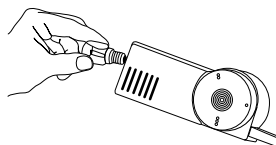
Change the Light Bulb

The light bulb is located behind the refrigerator control on the upper right-hand side of the interior cabinet wall.

NOTE: Only a factory specified replacement light bulb will fit your refrigerator. To get a factory specified replacement light bulb, call the Gladiator™ GarageWorks Customer Interaction Center toll free:

1-866-342-4089.

1. Unplug refrigerator or disconnect power.
2. Remove the used light bulb and replace it with a factory specified light bulb.



3. Plug in refrigerator or reconnect power.

Vacation and Moving Care

Vacations

If you choose to leave the refrigerator on while you're away, use up any perishables and freeze other items.

If you choose to turn the refrigerator off before you leave, follow these steps.

1. Remove all food from the refrigerator.
2. Turn the refrigerator control to the off position. See "Using the Control."
3. Unplug the refrigerator.
4. Clean the refrigerator. See "Cleaning."
5. Tape a rubber or wood block to the top of the door to prop it open far enough for air to get in. This stops odor and mold from building up.

Moving

When you are moving your refrigerator to a new home, follow these steps to prepare it for the move.

1. Remove all food from the refrigerator.
2. Turn the refrigerator control to the off position. See "Using the Control."
3. Unplug the refrigerator.
4. Clean, wipe, and dry it thoroughly.
5. Take out all removable parts, wrap them well, and tape them together so they don't shift and rattle during the move.
6. Tape the doors shut and tape the power cord to the refrigerator cabinet.

When you get to your new home, put everything back and refer to the "Installation Instructions" section for preparation instructions.

TROUBLESHOOTING

Try the solutions suggested here first in order to avoid the cost of an unnecessary service call.

Your refrigerator will not operate

- **Is the power supply cord unplugged?** Plug into a grounded 3 prong outlet.
- **Has a household fuse blown or circuit breaker tripped?** Replace the fuse or reset the circuit.
- **Is the Refrigerator Control turned to the OFF position?** See "Using the Control."

The lights do not work

- **Is the power supply cord unplugged?** Plug into a grounded 3 prong outlet.
- **Is a light bulb loose in the socket?** Turn the refrigerator control to the off position. Disconnect the refrigerator from the electrical supply. Gently remove the bulb and reinsert. Then reconnect the refrigerator to the electrical supply and reset the refrigerator control.
- **Has a light bulb burned out?** Replace with an appliance bulb of the same wattage, size, and shape. See "Changing the Light Bulb."

There is water in the defrost drain pan

- **Is the refrigerator defrosting?** The water will evaporate. It is normal for water to drip into the defrost pan.
- **Is it more humid than normal?** Expect that the water in the defrost pan will take longer to evaporate. This is normal when it is hot or humid.

The motor seems to run too much

- **Is the room temperature hotter than normal?** Expect the motor to run longer under warm conditions. At normal room temperatures, expect your motor to run about 40% to 80% of the time. Under warmer conditions, expect it to run even more of the time.
- **Has a large amount of food just been added to the refrigerator?** Adding a large amount of food warms the refrigerator. It is normal for the motor to run longer in order to cool the refrigerator back down.
- **Is the door opened often?** Expect the motor to run longer when this occurs. In order to conserve energy, try to get everything you need out of the refrigerator at once, keep food organized so it is easy to find, and close the door as soon as the food is removed.
- **Is the control set correctly for the surrounding conditions?** See “Using the Control.”
- **Is the door closed completely?** Push the doors firmly shut. If they will not shut all the way, see “The doors will not close completely” later in this section.
- **Are the condenser coils dirty?** This prevents air transfer and makes the motor work harder. Clean the condenser coils. See “Cleaning.”

Temperature is too warm

- **Is the door opened often?** Be aware that the refrigerator will warm when this occurs. In order to keep the refrigerator cool, try to get everything you need out of the refrigerator at once, keep food organized so it is easy to find, and close the door as soon as the food is removed.
- **Has a large amount of food just been added to the refrigerator?** Adding a large amount of food warms the refrigerator. It can take several hours for the refrigerator to return to the normal temperature.
- **Is the control set correctly for the surrounding conditions?** See “Using the Control.”

There is interior moisture buildup

- **Is the door opened often?** To avoid humidity buildup, try to get everything you need out of the refrigerator at once, keep food organized so it is easy to find, and close the door as soon as the food is removed. When the door is opened, humidity from the room air enters the refrigerator. The more often the door is opened, the faster humidity builds up, especially when the room itself is very humid.
- **Is the room humid?** It is normal for moisture to build up inside the refrigerator when the room air is humid.
- **Is the food packaged correctly?** Check that all food is securely wrapped. Wipe off damp food containers before placing in the refrigerator.
- **Is the control set correctly for the surrounding conditions?** See “Using the Control.”

The door is difficult to open

- **Is the gasket dirty or sticky?** Clean the gasket and the surface that it touches. Rub a thin coat of paraffin wax on the gasket following cleaning.

The door will not close completely

- **Are food packages blocking the door open?** Rearrange containers so that they fit more tightly and take up less space.
- **Are the shelves out of position?** Put the shelves back into their correct positions. See “Refrigerator Use” for more information.
- **Is the gasket sticking?** Clean the gasket and the surface that it touches. Rub a thin coat of paraffin wax on the gasket following cleaning.

ASSISTANCE OR SERVICE

Before calling for assistance or service, please check “Troubleshooting.” It may save you the cost of a service call. If you still need help, follow the instructions below.

When calling, please know the purchase date and the complete model and serial number of your appliance. This information will help us to better respond to your request.

If you need replacement parts

If you need to order replacement parts, we recommend that you only use factory specified replacement parts. Factory specified replacement parts will fit right and work right because they are made with the same precision used to build every new Gladiator™ GarageWorks appliance.

To locate factory specified replacement parts in your area, call our Customer Interaction Center telephone number or your nearest designated service center.

In the U.S.A.

Call the Gladiator™ GarageWorks Customer Interaction Center toll free: **1-866-342-4089**.

Our consultants provide assistance with:

- Features and specifications on our full line of products.
- Installation information.
- Use and maintenance procedures.
- Accessory and repair parts sales.
- Specialized customer assistance (Spanish speaking, hearing impaired, limited vision, etc.).
- Referrals to local dealers, repair parts distributors, and service companies. Gladiator™ GarageWorks designated service technicians are trained to fulfill the product warranty and provide after-warranty service, anywhere in the United States.

To locate the Gladiator™ GarageWorks designated service company in your area, you can also look in your telephone directory Yellow Pages.

For further assistance

If you need further assistance, you can write to Gladiator™ GarageWorks with any questions or concerns at:

Gladiator™ GarageWorks
Customer Interaction Center
553 Benson Road
Benton Harbor, MI 49022-2692

Please include a daytime phone number in your correspondence.

In Canada

Call the Whirlpool Canada Inc. Customer Interaction Center toll free: **1-800-807-6777**. Monday to Friday 8:00 a.m. - 6:00 p.m. (EST). Saturday 8:30 a.m. - 4:30 p.m. (EST).

Our consultants provide assistance with:

- Features and specifications on our full line of appliances.
- Referrals to local dealers.

For further assistance

If you need further assistance, you can write to Whirlpool Canada Inc. with any questions or concerns at:

Whirlpool Canada Inc.
Customer Interaction Center
1901 Minnesota Court
Mississauga, Ontario L5N 3A7

Please include a daytime phone number in your correspondence.

GLADIATOR™ GARAGEWORKS MODULAR REFRIGERATOR WARRANTY

ONE-YEAR FULL WARRANTY ON MODULAR REFRIGERATOR

For one year from the date of purchase, when this product is operated and maintained according to the instructions attached to or furnished with the product, Gladiator™ GarageWorks will pay for factory specified parts and repair labor costs to correct defects in materials or workmanship. Service must be provided by a Whirlpool designated service company.

Gladiator™ GarageWorks will not pay for:

1. Service calls to correct the installation of any Gladiator™ GarageWorks products or to instruct you on how to use or install them, to replace house fuses or correct house wiring or to replace light bulbs.
 2. Damage resulting from improper handling or shipping of products, or products damaged by accident, misuse, abuse, fire, flood, improper installation, acts of God, neglect, corrosion, modification or mishandling.
 3. Shipping or freight fees to deliver replacement products or to return defective products.
 4. Repairs or replacement when your product is used in other than normal, single-family household use, such as a commercial environment.
 5. Cosmetic damage including scratches, dings, dents or cracks that do not affect the structural or functional capability of the product.
 6. Replacement parts or product for Gladiator™ GarageWorks products operated outside the United States and Canada.
 7. In Canada, travel or transportation expenses for customers who reside in remote areas.
 8. Damage resulting from improper loading beyond the specified maximum weight capacity outlined in the assembly instructions provided with the product, including overloading of hooks, baskets, shelves, cabinets, and other Gladiator™ GarageWorks accessories used with the product.
 9. Surfaces damaged due to chemical interaction resulting in corrosion of paint or metal.
 10. Any food or beverage loss due to product failure.
-

GLADIATOR™ GARAGEWORKS AND WHIRLPOOL CANADA INC. SHALL NOT BE LIABLE FOR INCIDENTAL OR CONSEQUENTIAL DAMAGES

Some states or provinces do not allow the exclusion or limitation of incidental or consequential damages, so this exclusion or limitation may not apply to you. This warranty gives you specific legal rights, and you may also have other rights which vary from state to state or province to province.

Outside the 50 United States and Canada, this warranty does not apply. Contact your authorized Gladiator™ GarageWorks dealer to determine if another warranty applies.

If you need service, first see the "Troubleshooting" section of this book. After checking "Troubleshooting," additional help can be found by checking the "Assistance or Service" section or by calling the Gladiator™ GarageWorks Customer Care Center, **1-866-342-4089** (toll-free), from anywhere in the U.S.A. In Canada, contact your Whirlpool Canada Inc. designated service company or call **1-800-807-6777**. 7/03

Keep this book and your sales slip together for future reference. You must provide proof of purchase or installation date for in-warranty service.

Write down the following information about your modular refrigerator to better help you obtain assistance or service if you ever need it. You will need to know your complete model number and serial number. You can find this information on the model and serial number label located on the inside wall of the modular refrigerator.

Dealer name _____
Address _____
Phone number _____
Model number _____
Serial number _____
Purchase date _____

SEGURIDAD DEL REFRIGERADOR

Su seguridad y la seguridad de los demás es muy importante.

Hemos incluido muchos mensajes importantes de seguridad en este manual y en su electrodoméstico. Lea y obedezca siempre todos los mensajes de seguridad.



Este es el símbolo de advertencia de seguridad.

Este símbolo le llama la atención sobre peligros potenciales que pueden ocasionar la muerte o una lesión a usted y a los demás.

Todos los mensajes de seguridad irán a continuación del símbolo de advertencia de seguridad y de la palabra "PELIGRO" o "ADVERTENCIA". Estas palabras significan:

! PELIGRO

Si no sigue las instrucciones de inmediato, usted puede morir o sufrir una lesión grave.

! ADVERTENCIA

Si no sigue las instrucciones, usted puede morir o sufrir una lesión grave.

Todos los mensajes de seguridad le dirán el peligro potencial, le dirán cómo reducir las posibilidades de sufrir una lesión y lo que puede suceder si no se siguen las instrucciones.

INSTRUCCIONES IMPORTANTES DE SEGURIDAD

ADVERTENCIA: Para reducir el riesgo de incendio, choque eléctrico, o lesiones personales al usar su refrigerador siga estas precauciones básicas:

- No quite la terminal de conexión a tierra.
- No use un cable eléctrico de extensión.
- Desconecte el suministro de energía antes de darle servicio.
- Vuelva a colocar todos los paneles antes de ponerlo a funcionar.
- Remueva las puertas de su refrigerador viejo.
- Use un limpiador no inflamable.
- No use un adaptador.
- Mantenga los materiales y vapores inflamables, tales como gasolina, alejados del refrigerador.
- Use dos o más personas para mover e instalar el refrigerador.
- Desconecte el suministro de energía antes de instalar la fábrica de hielo (en aquellos modelos que incluyen el juego de instalación de la fábrica de hielo).
- Use un vaso resistente para recibir hielo o agua del despachador (en algunos modelos).
- Conecte a un contacto de pared de conexión a tierra de 3 terminales.

CONSERVAR ESTAS INSTRUCCIONES

Cómo deshacerse adecuadamente de su refrigerador viejo

! ADVERTENCIA

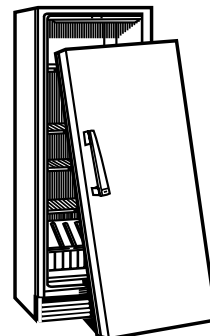
Peligro de Asfixia

Remueva las puertas de su refrigerador viejo.

No seguir esta instrucción puede ocasionar la muerte o daño al cerebro.

Antes de tirar su viejo refrigerador o congelador:

- Saque las puertas.
- Deje los estantes en su lugar así los niños no pueden meterse adentro con facilidad.



IMPORTANTE: El atrapamiento y asfixia de niños no es un problema del pasado. Los refrigeradores tirados y abandonados son un peligro...aún si van a quedar ahí "por unos pocos días". Si Ud. está por deshacerse de su refrigerador viejo, por favor siga las instrucciones que se dan a continuación para prevenir accidentes.

REQUISITOS DE INSTALACIÓN

Piezas y Herramientas

Verifique si tiene todo lo necesario para una instalación correcta. La instalación correcta es su responsabilidad.

Herramientas necesarias:

- Llave de tuercas de 5/16 de pulg.
- Destornillador de hoja plana
- Destornillador Phillips

Piezas suministradas:

- Bandeja superior (1)
- Llave de tuercas hexagonal (1)
- Cubierta de bandeja (1)
- Tornillos de cabeza hueca (6)
- Parachoques (2)
- Férulas (6)
- Plancha con ruedecillas (1)
- Tornillos de cabeza de cono achatado # 8 x 1/2 pulg. (4)
- Portalatas (1)
- Tornillos de cabeza de cono achatado # 10 x 1 pulg. (4)
- Estantes (2)
- Tornillos avellanados # 8 x 1/2 pulg. (4)
- Manija de puerta (1)

Requisitos de ubicación

⚠ ADVERTENCIA



Peligro de Explosión

Mantenga los materiales y vapores inflamables, tales como gasolina, alejados del refrigerador.

No seguir esta instrucción puede ocasionar la muerte, explosión, o incendio.

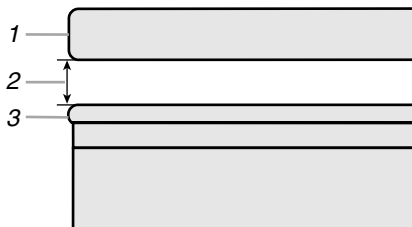
El refrigerador de garage ha sido diseñado para ser usado en un garage o un espacio similar interior. No instale el refrigerador cerca de un horno, radiador u otra fuente de calor.

Su refrigerador funciona con la mayor eficiencia posible cuando está ubicado en un área con temperaturas entre 0° F (-18° C) y 120° F (49° C).

El refrigerador de garage está equipado con un calentador para impedir que el contenido se congele a temperaturas exteriores frías por debajo de 32° F (0° C) y sobre 0° F (-18° C).

Espacios libres para instalación

IMPORTANTE: Si Ud. instala un refrigerador de garage debajo de un banco de trabajo, deje por lo menos 1 1/8 pulg. (30 mm) entre la parte superior del refrigerador y la parte inferior del banco de trabajo.



1. Banco de trabajo
2. 1 1/8 pulg. (30 mm) de espacio mínimo
3. Refrigerador

Requisitos eléctricos

⚠ ADVERTENCIA



Peligro de Choque Eléctrico

Conecte a un contacto de pared de conexión a tierra de 3 terminales.

No quite el terminal de conexión a tierra.

No use un adaptador.

No use un cable eléctrico de extensión.

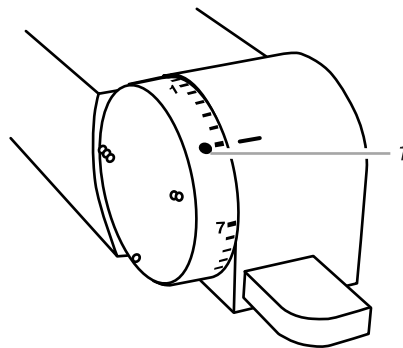
No seguir estas instrucciones puede ocasionar la muerte, incendio o choque eléctrico.

Antes de mover el refrigerador a su ubicación final, es importante asegurarse que tiene la conexión eléctrica adecuada:

Método de conexión a tierra recomendado

Se requiere una fuente de energía eléctrica de 115 Voltios, 60 Hz., CA solamente y con fusibles de 15 ó 20 amperios, debidamente conectados a tierra. Se recomienda que use un circuito separado sólo para su refrigerador. Use un tomacorriente que no se pueda apagar con un interruptor. No use un cable eléctrico de extensión.

NOTA: Antes de realizar cualquier tipo de instalación, limpie o de quite un foco de luz, gire el control a la posición off (Apagado) como se muestra y luego desconecte el refrigerador de la fuente de energía.



1. Posición Off (Apagado)

Cuando haya terminado, reconecte el refrigerador a la fuente de energía eléctrica y vuelva a poner el control en la posición deseada. Vea "Uso del control."

INSTRUCCIONES DE INSTALACIÓN

Desempaque el Refrigerador

⚠️ ADVERTENCIA

Peligro de Peso Excesivo

Use dos o más personas para mover e instalar el refrigerador.

No seguir esta instrucción puede ocasionar una lesión en la espalda u otro tipo de lesiones.

1. Quite el cartón de envío del refrigerador, aplástelo y colóquelo en el piso al lado del refrigerador.
2. Desempaque los accesorios y el herraje de la caja pequeña. Verifique el contenido. Vea "Piezas y Herramientas".
3. Despegue y abra la puerta del refrigerador para quitar los estantes y las instrucciones de instalación. Siga las instrucciones para lograr un ensamblaje adecuado.
4. Vuelva a pegar la puerta del refrigerador para mantenerla cerrada hasta que se complete la instalación de la manija.

Instalación de la plancha con ruedecillas

⚠️ ADVERTENCIA

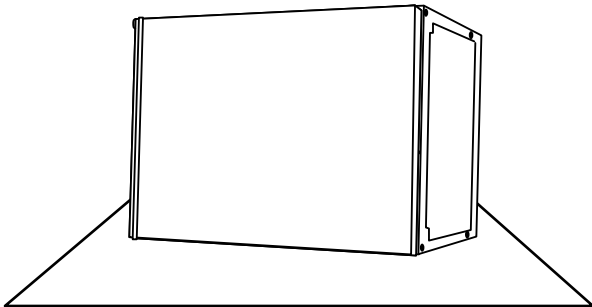
Peligro de Peso Excesivo

Use dos o más personas para mover e instalar el refrigerador.

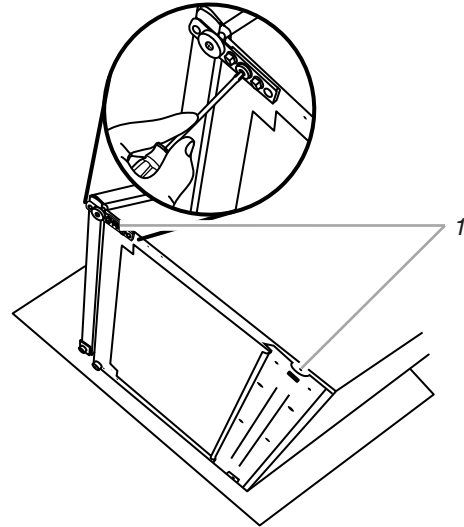
No seguir esta instrucción puede ocasionar una lesión en la espalda u otro tipo de lesiones.

IMPORTANTE:

- Coloque siempre el refrigerador de costado mientras instala la plancha con ruedecillas. Si recuesta el refrigerador en la parte posterior, puede dañarlo.
 - Nunca coloque el refrigerador boca arriba. Esto puede dañar el compresor.
 - Deje el refrigerador asentarse sobre sus ruedecillas por 4 horas antes de enchufarlo a un tomacorriente.
1. Con la ayuda de 2 o más personas, voltee el armario de costado.



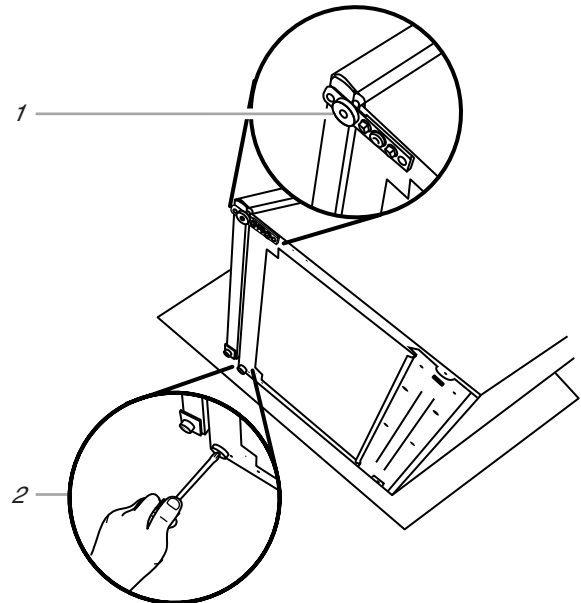
2. Saque y deseche los dos tornillos de cabeza Phillips como se muestra.



1. Tornillos de cabeza Phillips

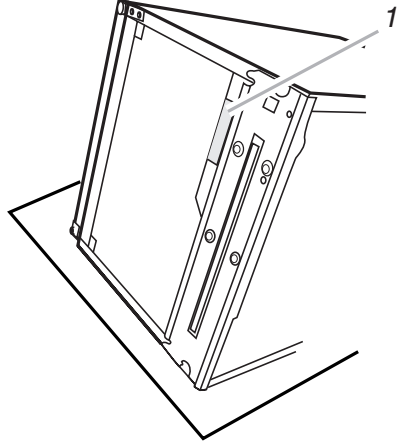
3. Utilizando un destornillador Phillips, quite y descarte la pata niveladora frontal del lado del refrigerador opuesto a la bisagra de la puerta como se muestra.

NOTA: La pata niveladora frontal del lado de la bisagra de la puerta del refrigerador debe permanecer en su lugar.



1. Pata niveladora frontal - lado de la bisagra de la puerta
2. Pata niveladora frontal - lado opuesto

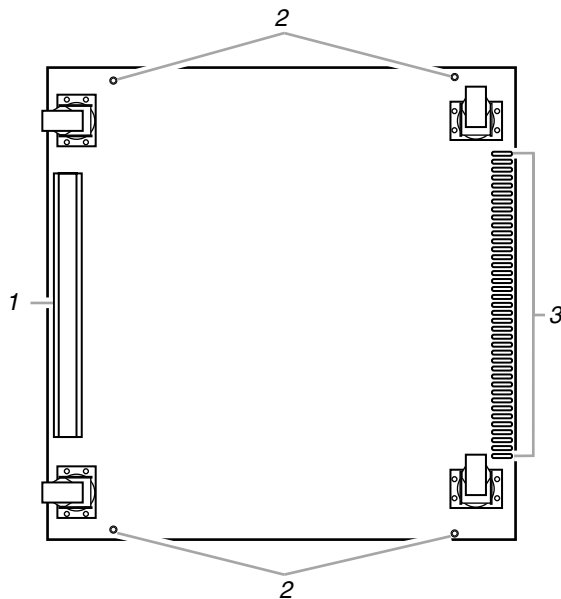
4. Quite el bloque de transporte entre el compresor y la parte posterior del refrigerador.



1. Bloque de transporte

NOTA: Si Ud. quiere invertir el sentido de oscilación de la puerta, deberá hacerlo antes de fijar la plancha con ruedecillas. Consulte la sección “Cómo invertir la oscilación de la puerta”.

5. Coloque la plancha con ruedecillas en la parte de abajo del refrigerador, con la barra de refuerzo hacia adelante y los orificios de ventilación hacia atrás. Alinee las espigas de montaje con los orificios creados al sacar los tornillos en el Paso 2.

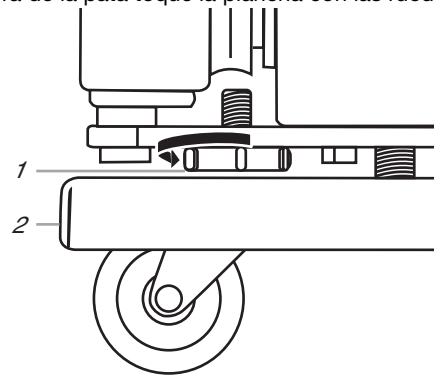


1. Barra de refuerzo
2. Espigas de montaje
3. Orificios de ventilación

6. Fije la plancha con ruedecillas al refrigerador utilizando 4 tornillos de cabeza de cono achatado # 10 x 1 pulg. (provistos). Empiece a colocar el primer tornillo en la esquina de la bisagra de la puerta. Luego prosiga con un segundo tornillo en la esquina opuesta. Finalmente coloque los dos tornillos que faltan.

NOTA: No apriete ningún tornillo hasta que todos se encuentren en posición.

7. Gire hacia la izquierda la pata niveladora frontal que queda en el lado de la bisagra del refrigerador hasta que la almohadilla niveladora de la pata toque la plancha con las ruedecillas.

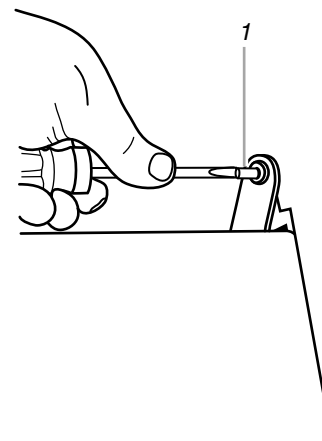


1. Almohadilla niveladora de la pata
2. Plancha con ruedecillas

Cómo invertir el cierre de la puerta (opcional)

NOTA: Si la plancha con ruedecillas ya está instalada, debe ser desmontada antes de invertir el sentido de oscilación de la puerta. Vea “Instalación de la plancha con ruedecillas”.

1. Utilizando un destornillador de hoja plana, saque la espiga de la bisagra superior como se muestra. Quite la puerta.



1. Espiga de la bisagra superior

2. Vuelva a colocar la espiga de la bisagra superior en la bisagra opuesta y aprétela.
3. Guíe la puerta a la posición correcta introduciendo la espiga de la bisagra superior en la bisagra ubicada en la puerta.
4. Alinee el borde de la puerta con el borde del gabinete.
5. Instale la bisagra inferior y aprétela.
6. Vuelva al Paso 5 de “Instalación de la plancha con ruedecillas”.

Instalación de los parachoques

! ADVERTENCIA

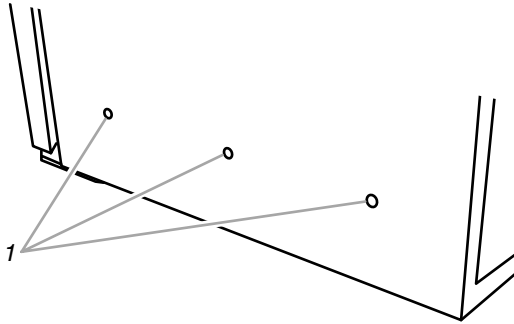
Peligro de Peso Excesivo

Use dos o más personas para mover e instalar el refrigerador.

No seguir esta instrucción puede ocasionar una lesión en la espalda u otro tipo de lesiones.

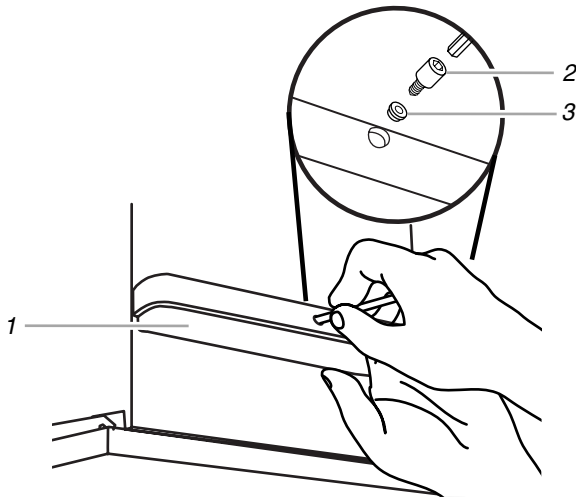
1. Con la ayuda de 2 o más personas, ponga el refrigerador de pie sobre sus ruedecillas.

2. Con un destornillador de hoja plana saque los tres tapones blancos de plástico para orificios de cada lado del refrigerador.



1. Tapones de plástico para orificios

3. Fije un parachoques a cada uno de los lados del refrigerador utilizando 3 férulas y 3 prisioneros de cabeza hueca (provistos para cada parachoques).



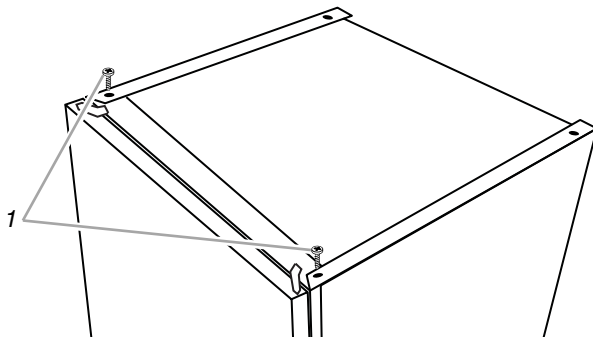
1. Parachoques
2. Prisionero de cabeza hueca
3. Férula

4. Utilizando la llave para pernos hexagonal (provista), apriete todos los tornillos.

NOTA: Para evitar que se dañen los tornillos, no apriete en exceso.

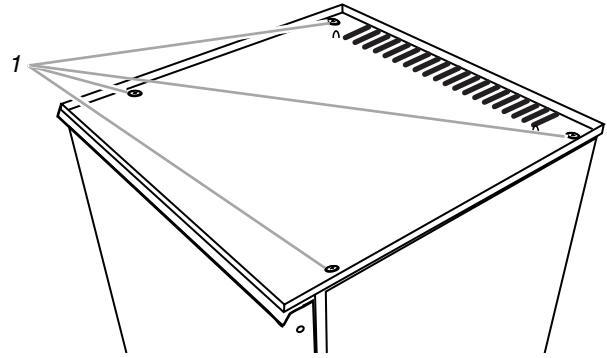
Instalación de la bandeja superior

1. Quite los 2 tornillos delanteros de la superficie de arriba del gabinete.



1. Quite los tornillos

2. Ubique la bandeja superior en la parte superior del gabinete del refrigerador, con los orificios de ventilación hacia atrás.

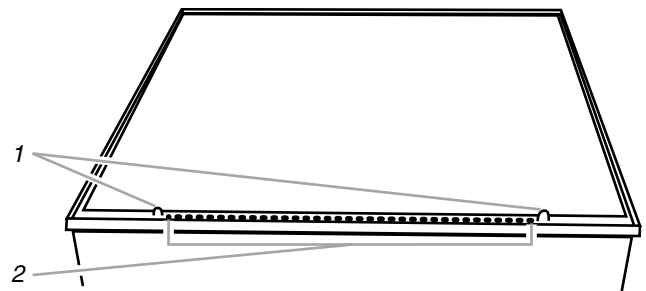


1. Tornillos de cabeza de cono achatado

3. Alinee los orificios para los tornillos y fije la bandeja superior a la parte superior del gabinete utilizando 4 tornillos de cabeza plana # 8 x ½ pulg. como se muestra.

4. Coloque la cubierta en la bandeja superior.

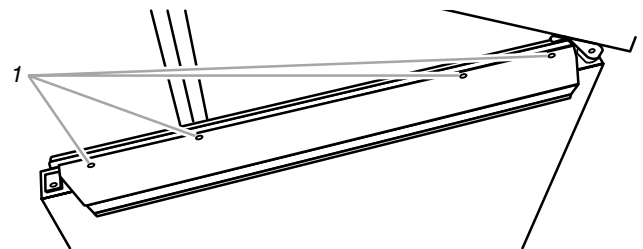
NOTA: Coloque la cubierta detrás de las espigas para el mismo y así mantener los orificios de ventilación libres como se muestra.



1. Espigas de la cubierta
2. Orificios de ventilación

Instalación de la manija

1. Saque la cinta adhesiva y abra la puerta.
2. Instale la manija utilizando 4 tornillos avellanados para manija # 8 x ½ pulg. como se muestra.

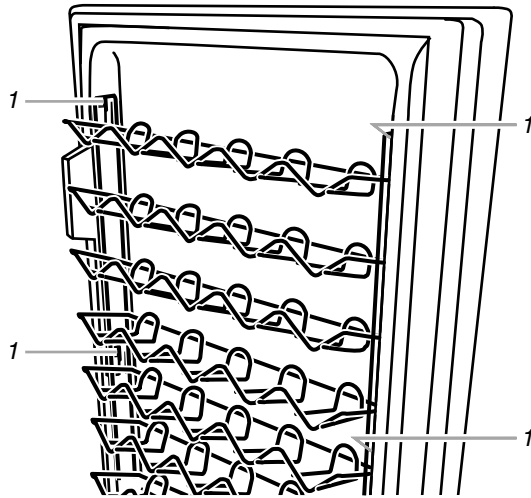


1. Tornillos para manija

Instalación del portatalas

NOTA: La carga máxima es de 35 latas de 12 onzas cada una.

1. Deslice los postes de los soportes de 4 latas entre las muescas de los extremos de la puerta.
2. Verifique que el soporte esté firmemente en su lugar.



1. Postes del portatalas

Estantes del refrigerador

Para instalar los estantes:

1. Determine el lugar para el estante dentro del refrigerador.
2. Coloque el estante en la guía para estantes deseada y deslícelo completamente hacia atrás pasando sobre el tope para estantes.

Para sacar los estantes:

1. Levante el estante por la parte trasera pasándolo sobre el tope.
2. Jálelo hacia Ud. hasta que se salga de la guía para estantes.

Sonidos normales

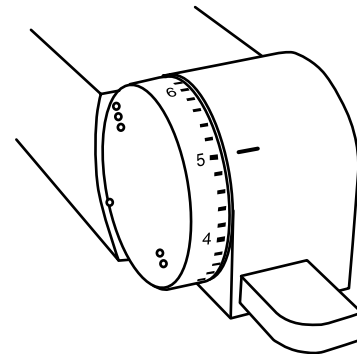
Su nuevo refrigerador puede hacer ruidos que su viejo refrigerador no hacía. Como estos sonidos son nuevos para Ud., puede ser que se preocupe. La mayoría de los sonidos nuevos son normales. Las superficies duras tales como el piso, paredes y gabinetes pueden hacer que los sonidos parezcan más fuertes. A continuación se describen los tipos de sonidos y qué puede causarlos.

- Su refrigerador está diseñado para funcionar con más eficiencia para conservar sus alimentos a la temperatura deseada. El compresor y los ventiladores de alta eficiencia pueden causar que su nuevo refrigerador funcione por períodos de tiempo más largos que su refrigerador viejo. También puede escuchar un sonido pulsante o agudo al ajustarse el compresor o los ventiladores que se ajustan para un funcionamiento óptimo.
- Las vibraciones pueden producirse por el flujo de líquido refrigerante o artículos guardados dentro del refrigerador.
- Al final de cada ciclo, Ud. puede escuchar un gorgoteo debido al flujo de líquido refrigerante en su refrigerador.
- Ud. puede escuchar agua corriendo hacia la bandeja recolectora durante el ciclo de descongelación.
- Es posible que escuche sonidos como de chasquido cuando el refrigerador comienza o deja de funcionar.

USO DE SU REFRIGERADOR

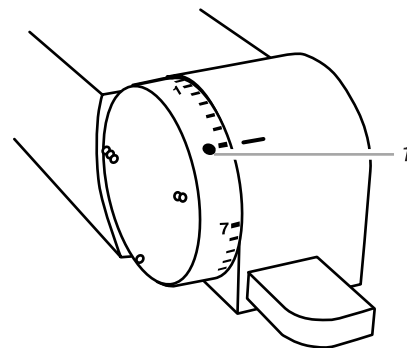
Uso del control

Para su comodidad, el control de su refrigerador ha sido prefijado de fábrica. Al instalar su refrigerador por primera vez, cerciéndose de que el control aún esté prefijado en el ajuste medio 5 como se ilustra.



Para apagar su refrigerador, gire el control del mismo a off (Apagado) como se muestra.

NOTA: Su producto no se enfriará mientras el control del refrigerador esté en la posición off (Apagado).



1. Posición Off (Apagado)

Cómo ajustar los controles

El ajuste medio indicado en la sección previa debe estar correcto para el uso normal de un refrigerador familiar en el hogar. El control está fijado correctamente cuando las bebidas están tan frías como a usted le gusta.

Si necesita ajustar la temperatura, espere por lo menos 24 horas entre un ajuste y otro, y después vuelva a verificar la temperatura.

Para hacer que el refrigerador esté más frío, coloque el control en el siguiente ajuste más alto. Para hacer que el refrigerador esté menos frío, coloque el control en el siguiente ajuste más bajo.

CUIDADO DE SU REFRIGERADOR

Limpieza

⚠️ ADVERTENCIA



Peligro de Explosión

Use un limpiador no inflamable.

No seguir esta instrucción puede ocasionar la muerte, explosión o incendio.

Limpie el refrigerador más o menos una vez al mes para evitar la acumulación de olores. Limpie los derrames de inmediato.

Limpieza de su refrigerador:

1. Desenchufe el refrigerador o desconecte el suministro de energía.
2. Quite todas las partes desmontables del interior, tales como estantes, etc.
3. Lave a mano, enjuague y seque todas las partes desmontables y las superficies interiores meticulosamente. Use una esponja limpia o un paño liso y un detergente suave en agua caliente.
 - No use productos de limpieza abrasivos o ásperos, como aerosoles para ventanas, productos de limpieza para pulir, líquidos inflamables, ceras para limpieza, detergentes concentrados, blanqueadores o productos de limpieza que contengan productos de petróleo en las partes de plástico, revestimientos de la puerta o juntas. No use toallas de papel, estropajos para fregar u otros utensilios de limpieza ásperos. Éstos pueden rayar o dañar los materiales.
 - Para ayudar a eliminar olores, puede lavar las paredes interiores con una mezcla de agua tibia y bicarbonato de sodio (2 cucharadas en un cuarto de galón [26 g en 0,95 L] de agua).
4. Reemplace las partes removibles.
5. Limpie los serpentines del condensador regularmente. Están ubicados en la parte posterior del gabinete. Quizás necesite limpiar los serpentines cada dos meses. Esto puede ayudar a ahorrar energía.
 - Use una aspiradora con extensión para limpiar los serpentines del condensador siempre que estén sucios o polvorientos.
6. Enchufe el refrigerador o reconecte el suministro de energía.

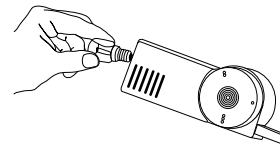
Cómo cambiar el foco

El foco está ubicado detrás del control del refrigerador en el lado superior derecho de la pared interior del gabinete.

NOTA: Sólo focos de repuesto especificados de fábrica encajarán en su refrigerador. Para obtener un foco de repuesto especificado de fábrica llame al Centro de Interacción del Cliente de Gladiator™ GarageWorks sin costo alguno al: **1-866-342-4089**.

1. Desenchufe el refrigerador o desconecte el suministro de energía.

2. Saque el foco de luz usado y replácelo con uno nuevo especificado de fábrica.



3. Enchufe el refrigerador o reconecte el suministro de energía.

Cuidado durante las vacaciones y mudanzas

Vacaciones

Si usted decide dejar el refrigerador funcionando mientras está ausente, use todo lo que se puede echar a perder y congele los otros artículos.

Si Ud. decide apagar el refrigerador antes de irse, siga estos pasos.

1. Saque toda la comida del refrigerador.
2. Gire el control del refrigerador hacia la posición de apagado. Vea "Uso del control".
3. Desenchufe el refrigerador.
4. Limpie el refrigerador. Vea "Limpieza".
5. Fije un bloque de goma o de madera con cinta adhesiva a la parte superior de la puerta para que quede abierta y el aire circule. Esto evita que se formen olores y que crezcan hongos.

Mudanza

Si Ud. muda su refrigerador a una casa nueva, siga los siguientes pasos para prepararse para la mudanza.

1. Saque toda la comida del refrigerador.
2. Gire el control del refrigerador hacia la posición de apagado. Vea "Uso del control".
3. Desenchufe el refrigerador.
4. Límpielo, enjuáguelo y séquelo detalladamente.
5. Saque todas las partes desmontables, envuélvalas bien y asegúrelas con cinta adhesiva para que no se sacudan durante la mudanza.
6. Sostenga las puertas cerradas y el cable pegados al gabinete del refrigerador con cinta adhesiva.

Cuando llegue a la casa nueva, ponga todo de nuevo y lea la sección "Instrucciones de instalación" para obtener instrucciones de preparación.

SOLUCIÓN DE PROBLEMAS

Primero pruebe las soluciones sugeridas aquí para evitar el costo innecesario del servicio.

Su refrigerador no funciona

- **¿Está desenchufado el cable de suministro de energía?** Enchufe a un contacto de pared de conexión a tierra de 3 terminales.
- **¿Hay un fusible fundido o se disparó el cortacircuitos?** Reemplace el fusible o arregle el cortacircuitos.
- **¿Está el control del refrigerador en la posición OFF (Apagado)?** Vea "Uso del control".

Las luces no funcionan

- **¿Está desenchufado el cable de suministro de energía?** Enchufe a un contacto de pared de conexión a tierra de 3 terminales.
- **¿Está flojo un foco?** Gire el control del refrigerador hacia la posición de apagado. Desconecte el refrigerador del suministro eléctrico. Quite cuidadosamente el foco y vuelva a insertarlo. Luego reconecte el refrigerador al suministro eléctrico y vuelva a fijar el control del refrigerador.

- **¿Se quemó un foco?** Reemplácelo con uno para electrodomésticos del mismo tamaño, forma y vatiaje. Vea “Cómo cambiar los focos”.

Hay agua en la bandeja recolectora de agua

- **¿Se está descongelando el refrigerador?** El agua se evaporará. Es normal que caigan gotas de agua en la bandeja recolectora de agua.
- **¿Está más húmedo que lo normal?** Tenga en cuenta que el agua en la bandeja recolectora tardará más en evaporarse. Esto es normal cuando hace calor o hay humedad.

Parece que el motor funciona excesivamente

- **¿Está la temperatura ambiente más caliente que lo normal?** En condiciones de calor, el motor funciona por períodos más largos. Cuando la temperatura ambiente es normal, el motor funciona entre 40% y 80% del tiempo. Bajo condiciones más calientes, puede funcionar por aún más tiempo.
- **¿Se acaba de agregar una gran cantidad de alimentos al refrigerador?** Agregar grandes cantidades de alimentos hace que se caliente el refrigerador. Es normal que el motor funcione por períodos más prolongados para volver a enfriar el refrigerador.
- **¿Se abre la puerta a menudo?** Cuando esto ocurre, el motor puede funcionar por períodos más largos. Para ahorrar energía, trate de sacar todo lo que necesite del refrigerador de una vez, mantenga los alimentos ordenados para que sean fáciles de encontrar y cierre la puerta una vez que se hayan sacado los alimentos.
- **¿Se ha ajustado el control correctamente de acuerdo con las condiciones circundantes?** Vea “Uso del control.”
- **¿Está completamente cerrada la puerta?** Cierre la puerta con firmeza. Si no se cierran completamente, vea “Las puertas no cierran completamente” más adelante en esta sección.
- **¿Están sucios los serpentines del condensador?** Esto impide la transferencia del aire y hace que el motor trabaje más. Limpie los serpentines del condensador. Vea “Limpieza”.

La temperatura está demasiado caliente

- **¿Se abre la puerta a menudo?** Sea consciente de que el refrigerador se calienta cuando esto ocurre. Para mantener el refrigerador frío, trate de sacar todo lo que necesite del refrigerador de una vez, mantenga los alimentos ordenados para que sean fáciles de encontrar y cierre la puerta una vez que se haya sacado los alimentos.
- **¿Se acaba de agregar una gran cantidad de alimentos al refrigerador?** Agregar grandes cantidades de alimentos hace que se caliente el refrigerador. Pueden transcurrir varias horas hasta que el refrigerador recupere su temperatura normal.
- **¿Se ha ajustado el control correctamente de acuerdo con las condiciones circundantes?** Vea “Uso del control.”

Hay acumulación de humedad en el interior

- **¿Se abre la puerta a menudo?** Para evitar la acumulación de humedad, trate de sacar todo lo que necesite del refrigerador de una vez, mantenga los alimentos ordenados para que sean fáciles de encontrar y cierre la puerta una vez que se haya sacado los alimentos. Cuando la puerta está abierta, la humedad de la habitación entra al refrigerador. La humedad se acumula más rápido cuanto más seguido se abre la puerta, especialmente cuando la habitación está muy húmeda.
- **¿Está húmeda la habitación?** Es normal que se acumule humedad dentro del refrigerador cuando el aire exterior está húmedo.
- **¿Se han envuelto correctamente los alimentos?** Verifique que todos los alimentos estén bien envueltos. Seque los recipientes húmedos antes de colocarlos en el refrigerador.
- **¿Se ha ajustado el control correctamente de acuerdo con las condiciones circundantes?** Vea “Uso del control.”

Es difícil abrir la puerta

- **¿Está la empaquetadura sucia o pegajosa?** Limpie la empaquetadura y la superficie que ésta toque. Frote una capa delgada de cera de parafina sobre la empaquetadura después de la limpieza.

La puerta no cierra completamente

- **¿Hay paquetes de comida que impiden que se cierre la puerta?** Ordene los recipientes de manera que queden más juntos y ocupen menos espacio.
- **¿Están fuera de posición los estantes?** Coloque nuevamente los estantes en su posición correcta. Para obtener más información, vea “Uso del refrigerador”.
- **¿Está la empaquetadura pegajosa?** Limpie la empaquetadura y la superficie que ésta toque. Frote una capa delgada de cera de parafina sobre la empaquetadura después de la limpieza.

AYUDA O SERVICIO TÉCNICO

Antes de solicitar ayuda o servicio técnico, por favor consulte la sección “Solución de Problemas”. Esto le podría ahorrar el costo de una visita de servicio técnico. Si considera que aún necesita ayuda, siga las instrucciones que aparecen a continuación.

Cuando llame, tenga a mano la fecha de compra y el número completo del modelo y de la serie de su electrodoméstico. Esta información nos ayudará a atender mejor a su pedido.

Si necesita piezas de repuesto

Si necesita pedir refacciones, recomendamos que use únicamente piezas de repuesto especificadas de fábrica. Las piezas de repuesto especificadas de fábrica encajarán bien y funcionarán bien ya que están confeccionadas con la misma precisión empleada en la fabricación de cada electrodoméstico nuevo de Gladiator™ GarageWorks.

Para encontrar piezas de repuesto especificadas de fábrica en su localidad, llame a nuestro Centro de interacción del cliente o al centro de servicio designado más cercano a su localidad.

En los EE.UU.

Llame al Centro de interacción del cliente de Gladiator™ GarageWorks número gratis: **1-866-342-4089**.

Nuestros consultores ofrecen ayuda para:

- Características y especificaciones de nuestra línea completa de productos.
- Información sobre la instalación.
- Procedimiento para el uso y mantenimiento.
- Venta de accesorios y partes para reparación.
- Asistencia especializada para el consumidor (habla hispana, problemas de audición, visión limitada, etc.).
- Recomendaciones con distribuidores locales, compañías que dan servicio y distribuidores de partes para reparación. Los técnicos de servicio designados por Gladiator™ GarageWorks están capacitados para cumplir con la garantía de producto y ofrecer servicio una vez que la garantía termine, en cualquier lugar de los Estados Unidos.

Para localizar a una compañía de servicio designada por Gladiator™ GarageWorks en su área, también puede consultar la sección amarilla de su guía telefónica.

Para obtener asistencia adicional

Si necesita asistencia adicional, puede escribir a Gladiator™ GarageWorks con sus preguntas o dudas a:

Gladiator™ GarageWorks
Customer Interaction Center
553 Benson Road
Benton Harbor, MI 49022-2692

Por favor incluya en su correspondencia un número de teléfono en el que se le pueda localizar durante el día.

En Canadá

Llame al Centro de Interacción del Cliente de Whirlpool Canada Inc. sin costo alguno al: **1-800-807-6777** de 8:00 a.m. a 6:00 p.m., de lunes a viernes (hora del este) los sábados de 8:30 a.m. a 4:30 p.m. (hora del este).

Nuestros consultores ofrecen ayuda para:

- Características y especificaciones de nuestra línea completa de electrodomésticos.
- Referencias a distribuidores locales.

Para obtener asistencia adicional

Si necesita asistencia adicional, puede escribir a Whirlpool Canada Inc. con sus preguntas o dudas a:

Whirlpool Canada Inc.
Customer Interaction Center
1901 Minnesota Court
Mississauga, Ontario L5N 3A7

Por favor incluya en su correspondencia un número de teléfono en el que se le pueda localizar durante el día.

GARANTÍA DEL REFRIGERADOR MODULAR DE GLADIATOR™ GARAGEWORKS

GARANTÍA TOTAL POR UN AÑO DEL REFRIGERADOR MODULAR

Durante un año a partir de la fecha de compra, siempre y cuando se dé al producto un uso y mantenimiento de conformidad con las instrucciones adjuntas o provistas con el producto, Gladiator™ GarageWorks pagará por las partes especificadas de fábrica y el costo de la mano de obra para corregir defectos en los materiales o en la mano de obra. El servicio deberá ser suministrado por una compañía de servicio designada por Whirlpool.

Gladiator™ GarageWorks no pagará por:

1. Visitas de servicio técnico para corregir la instalación de cualquier producto de Gladiator™ GarageWorks o para enseñarle a usarlos o instalarlos, para cambiar fusibles domésticos, para corregir la instalación eléctrica doméstica o para cambiar focos de luz.
2. Daños causados por mal manejo o envío de productos, o productos dañados por accidente, uso indebido, abuso, incendio, inundación, instalación incorrecta, actos fortuitos, negligencia, corrosión, modificación o maltrato.
3. Costo de envío o flete para entregar productos de repuesto o para devolver productos defectuosos.
4. Reparaciones o reemplazo cuando su producto ha sido empleado para fines ajenos al uso doméstico normal en la casa de una familia tal como uso en un lugar comercial.
5. Daños estéticos incluyendo rayaduras, golpes, abolladuras o rajaduras que no afecten la capacidad estructural o de funcionamiento del producto.
6. Piezas o productos de repuesto para los productos Gladiator™ GarageWorks que se empleen fuera de los Estados Unidos y Canadá.
7. En Canadá, gastos de viaje o de transporte para clientes que residen en zonas distantes.
8. Daños causados por la carga indebida que exceda del peso máximo especificado que se detalla en las instrucciones de ensamblaje provistas con el producto, incluyendo la sobrecarga de ganchos, canastas, estantes, armarios y otros accesorios de Gladiator™ GarageWorks usados con este producto.
9. Superficies dañadas debido a la interacción química que dé como resultado la corrosión de pintura o de metal.
10. Cualquier pérdida de comida o bebida debido al fracaso del producto.

GLADIATOR™ GARAGEWORKS Y WHIRLPOOL CANADA INC. NO SERÁN RESPONSABLES POR DAÑOS INCIDENTALES O CONSECUENTES

Algunos estados o provincias no permiten la exclusión o limitación de daños incidentales o consecuentes, de modo que esta exclusión o limitación quizás no le corresponda. Esta garantía le otorga derechos legales específicos, y es posible que usted tenga también otros derechos, los cuales varían de un estado a otro o de una provincia a otra.

Esta garantía no tiene vigor fuera de los cincuenta Estados Unidos y Canadá. Póngase en contacto con el distribuidor autorizado de Gladiator™ GarageWorks para determinar si corresponde otra garantía.

Si necesita servicio, consulte primero la sección "Solución de problemas" de este libro. Después de consultar la sección "Solución de Problemas", puede encontrar ayuda adicional en la sección "Ayuda o servicio técnico", o al llamar al Centro de interacción del cliente de Gladiator™ GarageWorks al **1-866-342-4089** (gratuito) desde cualquier lugar de los EE.UU. En Canadá, contacte su compañía designada de Whirlpool Canada Inc. o llame al **1-800-807-6777**.

7/03

Guarde este libro y su comprobante de compra juntos para referencia futura. Usted deberá proporcionar el comprobante de la compra o una fecha de instalación para obtener servicio bajo la garantía.

Escriba la siguiente información acerca de su refrigerador modular para ayudarle mejor a obtener ayuda o servicio técnico si alguna vez llegara a necesitarlo. Deberá tener a mano el número completo del modelo y de la serie. Puede encontrar esta información en la etiqueta con el número de modelo y de serie que está ubicada en la pared interior del refrigerador modular.

Nombre del distribuidor _____

Dirección _____

Número de teléfono _____

Número de modelo _____

Número de serie _____

Fecha de compra _____

SÉCURITÉ DU RÉFRIGÉRATEUR

Votre sécurité et celle des autres est très importante.

Nous donnons de nombreux messages de sécurité importants dans ce manuel et sur votre appareil ménager. Assurez-vous de toujours lire tous les messages de sécurité et de vous y conformer.



Voici le symbole d'alerte de sécurité.

Ce symbole d'alerte de sécurité vous signale les dangers potentiels de décès et de blessures graves à vous et à d'autres.

Tous les messages de sécurité suivront le symbole d'alerte de sécurité et le mot "DANGER" ou "AVERTISSEMENT". Ces mots signifient :

! DANGER

Risque possible de décès ou de blessure grave si vous ne suivez pas immédiatement les instructions.

! AVERTISSEMENT

Risque possible de décès ou de blessure grave si vous ne suivez pas les instructions.

Tous les messages de sécurité vous diront quel est le danger potentiel et vous disent comment réduire le risque de blessure et ce qui peut se produire en cas de non-respect des instructions.

IMPORTANTES INSTRUCTIONS DE SÉCURITÉ

AVERTISSEMENT : Pour réduire les risques d'incendie, de choc électrique ou des blessures lors de l'utilisation du réfrigérateur, prendre quelques précautions fondamentales, y compris les suivantes :

- Brancher l'appareil sur une prise à 3 alvéoles reliée à la terre.
- Ne pas enlever la broche de liaison à la terre.
- Ne pas utiliser un adaptateur.
- Ne pas utiliser un câble de rallonge.
- Utiliser deux ou plus de personnes pour déplacer et installer le réfrigérateur.
- Débrancher la source de courant électrique avant l'entretien.
- Replacer tous les panneaux avant de faire la remise en marche.
- Utiliser un produit de nettoyage ininflammable.
- Garder les matériaux et les vapeurs inflammables, telle que l'essence, loin du réfrigérateur.
- Enlever les portes de votre vieux réfrigérateur.

CONSERVEZ CES INSTRUCTIONS

Mise au rebut de votre vieux réfrigérateur

! AVERTISSEMENT

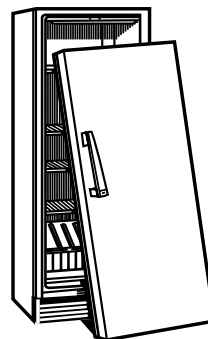
Risque de suffoquer

Enlever les portes de votre vieux réfrigérateur.

Le non-respect de cette instruction peut causer un décès ou des lésions cérébrales.

Avant de jeter votre vieux réfrigérateur ou congélateur :

- Enlever les portes.
- Laisser les tablettes en place de sorte que les enfants ne peuvent pas facilement se glisser à l'intérieur.



IMPORTANT : L'emprisonnement et l'étouffement des enfants ne sont pas un problème du passé. Les réfrigérateurs jetés ou abandonnés sont encore dangereux, même s'ils sont abandonnés pendant "quelques jours seulement". Si vous vous débarrassez de votre vieux réfrigérateur, veuillez suivre les instructions suivantes pour aider à éviter les accidents.

EXIGENCES D'INSTALLATION

Outillage et composants

Vérifier la présence de tout ce qui est nécessaire pour une installation correcte. C'est à l'installateur qu'incombe la responsabilité d'une installation correcte.

Outillage nécessaire :

- Clé $\frac{5}{16}$ po
- Tournevis à lame plate
- Tournevis Phillips

Pièces fournies :

- Plateau supérieur (1)
- Clé Allen (1)
- Tapis de plateau (1)
- Vis Allen (6)
- Butées (2)
- Viroles (6)
- Plateau à roulettes (1)
- Vis à tête bombée n° 8 x $\frac{1}{2}$ po (4)
- Râtelier à cannettes (1)
- Vis à tête bombée n° 10 x 1 po (4)
- Étagères (2)
- Vis à tête fraisée n° 8 x $\frac{1}{2}$ po, pour poignée (4)
- Poignée de porte (1)

Exigences d'emplacement

⚠ AVERTISSEMENT



Risque d'explosion

Garder les matériaux et les vapeurs inflammables, telle que l'essence, loin du réfrigérateur.

Le non-respect de cette instruction peut causer un décès, une explosion ou un incendie.

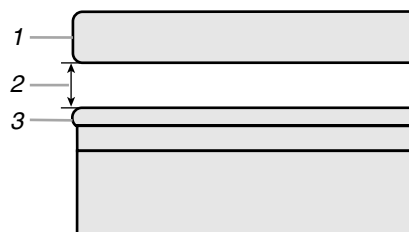
Le réfrigérateur pour garage a été conçu pour être utilisé dans un garage (ou l'équivalent) à l'intérieur. Ne pas installer le réfrigérateur près d'un four, d'un radiateur ou d'une autre source de chaleur.

Votre réfrigérateur fonctionne à son efficacité maximum lorsqu'il se trouve dans un endroit où la température est normalement entre 0°F (-18°C) et 120°F (49°C).

Le réfrigérateur pour garage est équipé d'un chauffage afin d'éviter que le contenu gèle à des températures extérieures en-dessous de 32°F (0°C) et au-dessus de 0°F (-18°C).

Dégagements de séparation à respecter

IMPORTANT : Dans le cas de l'installation du réfrigérateur sous un établi, on doit inclure un espacement d'au moins 1 $\frac{1}{8}$ po (30 mm) entre le sommet du réfrigérateur et la face inférieure de l'établi.



1. Établi
2. Espace de séparation 1 $\frac{1}{8}$ po (30 mm) ou plus
3. Réfrigérateur

Spécifications électriques

⚠ AVERTISSEMENT



Risque de choc électrique

Brancher sur une prise à 3 alvéoles reliée à la terre.

Ne pas enlever la broche de liaison à la terre.

Ne pas utiliser un adaptateur.

Ne pas utiliser un câble de rallonge.

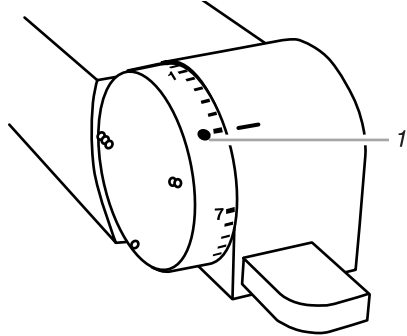
Le non-respect de ces instructions peut causer un décès, un incendie ou un choc électrique.

Avant de placer le réfrigérateur à son emplacement final, il est important de vous assurer d'avoir la connexion électrique appropriée :

Méthode recommandée de mise à la terre

Une source d'alimentation de 115 volts, 60 Hz, type 15 ou 20 ampères CA seulement, protégée par fusible et adéquatement mise à la terre est nécessaire. Il est recommandé d'utiliser un circuit distinct pour alimenter uniquement votre réfrigérateur. Utiliser une prise murale qui ne peut pas être mise hors circuit à l'aide d'un commutateur. Ne pas utiliser de cordon de rallonge.

REMARQUE : Avant de procéder à tout type d'installation, de nettoyage ou de changement d'une ampoule, tourner la commande sur la position d'arrêt (off) tel qu'illustré puis déconnecter le réfrigérateur de la source de courant électrique.

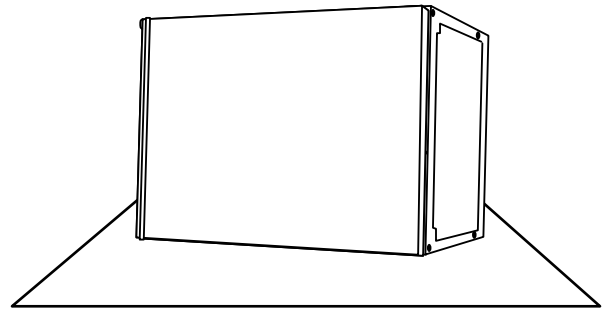


1. Position d'arrêt (off)

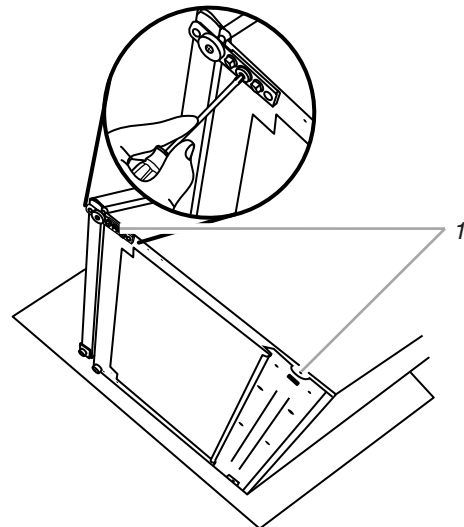
Une fois terminé, reconnecter le réfrigérateur à la source de courant électrique et remettre la commande au réglage désiré. Voir "Réglage de température".

■ Avant de brancher le réfrigérateur sur une prise de courant électrique, on doit le laisser au repos sur le plateau à roulettes pendant 4 heures.

1. Placer le réfrigérateur en appui sur le côté (Participation de deux personnes ou plus).



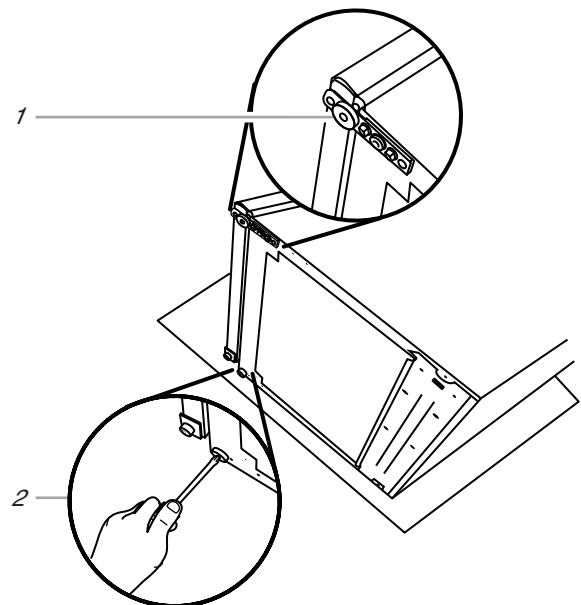
2. Enlever et jeter les 2 vis Phillips - voir l'illustration.



1. Vis Phillips

3. À l'aide d'un tournevis Phillips, enlever et jeter le pied de nivellement avant sur le côté du réfrigérateur opposé à la charnière de porte voir l'illustration.

REMARQUE : Le pied de nivellement avant sur le côté de la charnière de porte du réfrigérateur doit rester en place.



1. Pied de nivellement avant - côté de la charnière de porte
2. Pied de nivellement avant - côté opposé

INSTRUCTIONS D'INSTALLATION

Déballage du réfrigérateur

AVERTISSEMENT

Risque du poids excessif

Utiliser deux ou plus de personnes pour déplacer et installer le réfrigérateur.

Le non-respect de cette instruction peut causer une blessure au dos ou d'autre blessure.

1. Retirer le réfrigérateur du carton d'expédition, aplatir celui-ci, et le placer près du réfrigérateur sur le sol.
2. Déballez les accessoires et le matériel de la petite boîte. Vérifier le contenu. Voir "Outillage et pièces".
3. Enlever le ruban adhésif et ouvrir la porte du réfrigérateur pour retirer les étagères et les instructions d'installation. Suivre les instructions pour l'assemblage correct.
4. Remettre le ruban adhésif sur la porte du réfrigérateur pour la garder fermée jusqu'à ce que la poignée soit complètement installée.

Installation du plateau à roulettes

AVERTISSEMENT

Risque du poids excessif

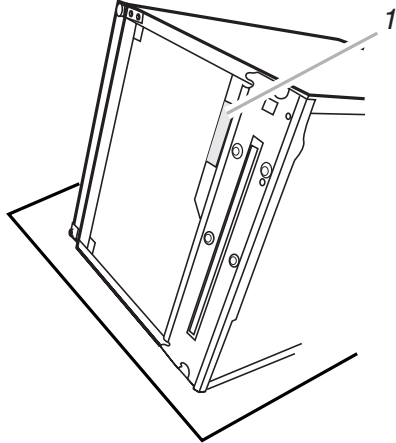
Utiliser deux ou plus de personnes pour déplacer et installer le réfrigérateur.

Le non-respect de cette instruction peut causer une blessure au dos ou d'autre blessure.

IMPORTANT :

- Durant l'installation du plateau à roulettes, placer toujours le réfrigérateur en appui sur le côté. Si on place le réfrigérateur en appui sur la face arrière, on peut l'endommager.
- Ne jamais placer le réfrigérateur en appui sur le sommet - ceci peut endommager le compresseur.

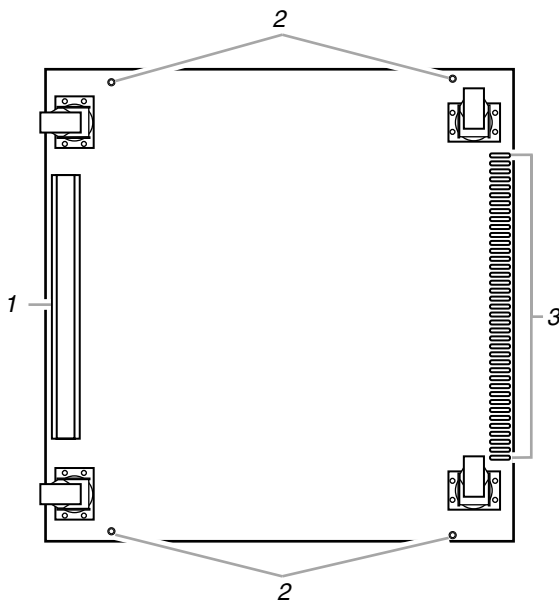
- Enlever la cale de séparation placée avant l'expédition entre le compresseur et l'arrière du réfrigérateur.



1. Cale de séparation

REMARQUE : Si on souhaite inverser le sens d'ouverture de la porte, on doit le faire avant de fixer le plateau à roulettes. Voir la section "Inversion du sens d'ouverture de la porte".

- Positionner le plateau à roulettes sur le fond du réfrigérateur - la barre de renforcement doit être à l'avant, et les ouvertures de ventilation doivent être à l'arrière. Aligner les broches de montage avec les trous dans lesquels étaient placées les vis enlevées à l'étape 2.

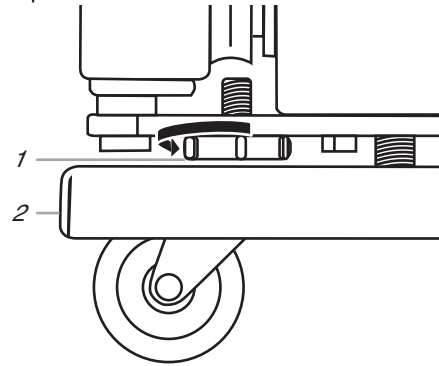


1. Barre de renforcement
2. Broches de montage
3. Ouvertures de ventilation

- Fixer le plateau à roulettes sur le réfrigérateur à l'aide de 4 vis à tête bombée n° 10 x 1 po (fournies). Placer la première vis dans l'angle où se trouve la charnière de porte. Placer la seconde vis dans l'angle opposé. Placer ensuite les 2 autres vis.

REMARQUE : Ne serrer aucune vis avant d'avoir positionné toutes les vis (amorçage du vissage).

- Tourner le pied de nivellement avant qui reste, sur le côté de la charnière de porte du réfrigérateur, dans le sens inverse des aiguilles d'une montre jusqu'à ce que le bout du pied touche la surface du plateau à roulettes.

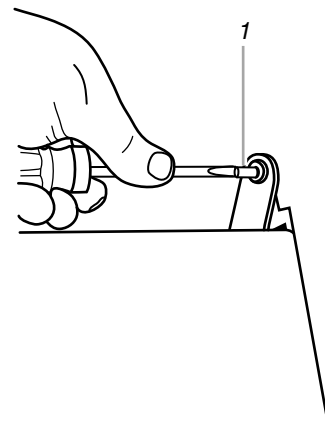


1. Bout du pied de nivellement
2. Plateau à roulettes

Inversion du sens d'ouverture de la porte (option)

REMARQUE : Si le plateau à roulettes a déjà été installé, on doit le déposer avant de pouvoir inverser le sens d'ouverture de la porte. Voir "Installation du plateau à roulettes".

- Avec un tournevis à lame plate, enlever la broche de la charnière supérieure - voir l'illustration. Enlever la porte.



1. Broche de la charnière supérieure

- Réinstaller sur la charnière opposée la broche retirée de la charnière supérieure, et serrer.
- Guider la porte pour la positionner; insérer la broche de charnière supérieure dans la charnière de la porte.
- Aligner le bord de la porte avec le bord de la caisse.
- Installer la charnière inférieure et serrer.
- Retourner à l'étape 5 de "Installation du plateau à roulettes".

Installation des tringles de butée

⚠ AVERTISSEMENT

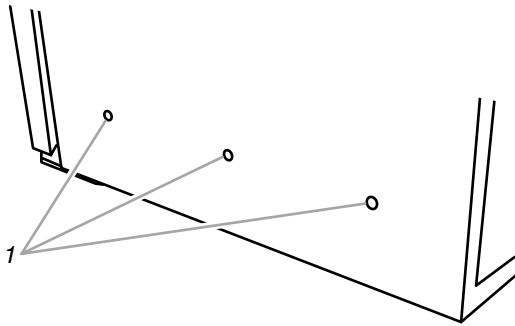
Risque du poids excessif

Utiliser deux ou plus de personnes pour déplacer et installer le réfrigérateur.

Le non-respect de cette instruction peut causer une blessure au dos ou d'autre blessure.

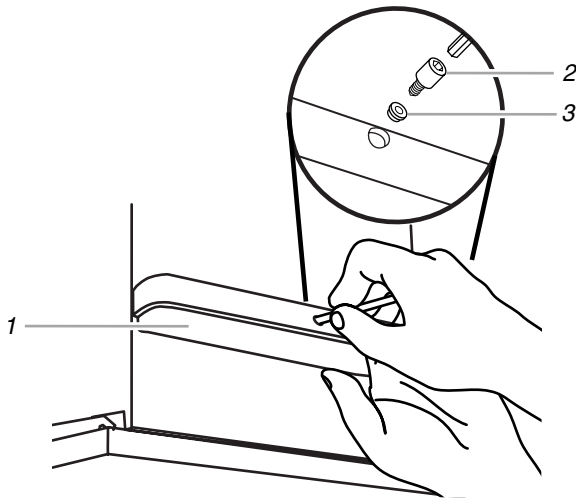
- Relever le réfrigérateur pour le placer verticalement sur les roulettes (Participation de 2 personnes ou plus).

2. Avec un tournevis à lame plate, ôter les 3 bouchons de plastique blanc de chaque côté du réfrigérateur.



1. Bouchons de plastique

3. Fixer 1 tringle de butée de chaque côté du réfrigérateur - utiliser 3 viroles et 3 vis Allen (fournies) pour chaque tringle de butée.

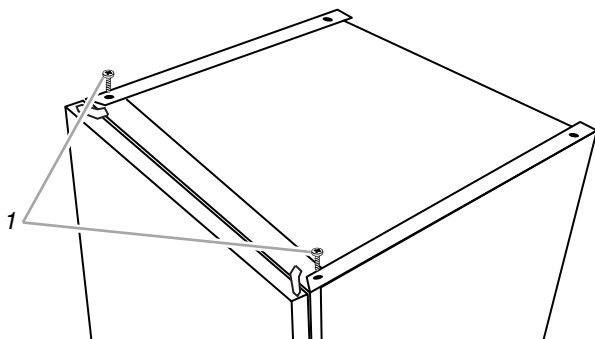


1. Tringle de butée
2. Vis Allen
3. Virole

4. Avec la clé Allen (fournie), serrer toutes les vis.
REMARQUE : Pour éviter de détériorer les vis, ne pas serrer excessivement.

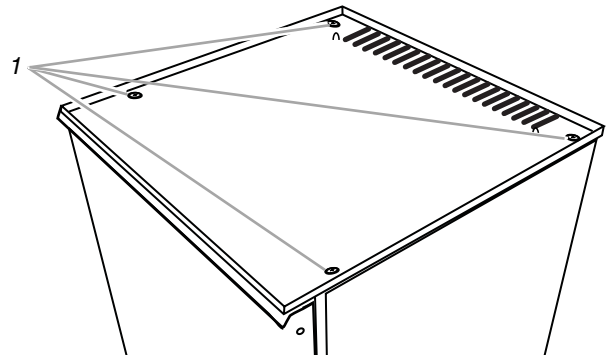
Installation du plateau supérieur

1. Ôter les 2 vis à l'avant de la caisse, sur le sommet.



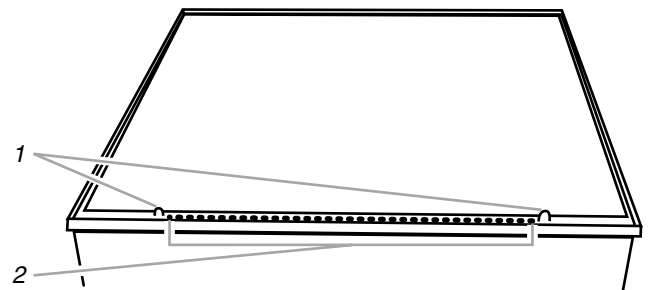
1. Enlever les vis

2. Positionner le plateau supérieur sur le sommet du réfrigérateur - les ouvertures de ventilation doivent être à l'arrière.



1. Vis à tête bombée

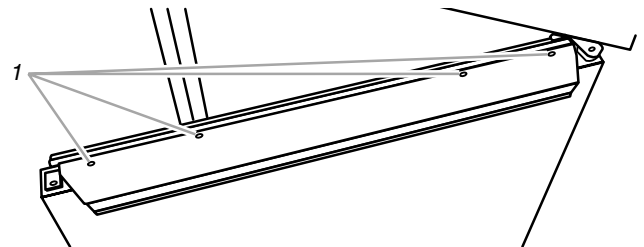
3. Aligner les trous de vis et fixer le plateau supérieur sur le sommet de la caisse avec 4 vis à tête bombée n° 8 x 1/2 po (voir l'illustration).
4. Placer le tapis dans le plateau supérieur.
REMARQUE : Pousser le tapis derrière les pitons de retenue pour que le tapis ne puisse obstruer les ouvertures de ventilation.



1. Pitons de retenue du tapis
2. Ouvertures de ventilation

Installation de la poignée

1. Enlever les rubans adhésifs et ouvrir la porte.
2. Installer la poignée avec 4 vis à tête fraisée n° 8 x 1/2 po (voir l'illustration).

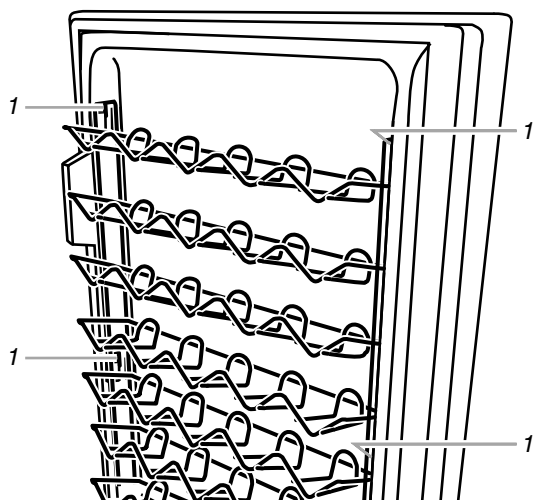


1. Vis de la poignée

Installation du râtelier à cannettes

REMARQUE : La charge maximale est de 35 cannettes de 12 oz.

1. Faire glisser les 4 pitons du râtelier entre les encoches de la doublure de porte.
2. Veiller à ce que le râtelier soit fermement maintenu en place.



1. Pitons du râtelier à cannettes

Étagères du réfrigérateur

Installation des étagères :

1. Choisir la position d'installation de chaque étagère dans le réfrigérateur.
2. Placer l'étagère dans la glissière désirée, et faire glisser l'étagère vers l'arrière, jusqu'au-delà de la butée d'étagère.

Dépose des étagères :

1. Soulever l'étagère pour pouvoir la faire passer par-dessus la butée d'étagère à l'arrière.
2. Tirer vers l'avant pour extraire l'étagère des glissières.

Bruits normaux

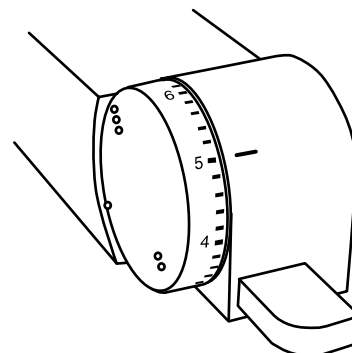
Il est possible que le réfrigérateur neuf émette des bruits que l'appareil précédent ne produisait pas. Comme ces bruits sont nouveaux, ils peuvent vous inquiéter. La plupart de ces nouveaux bruits sont normaux. Les bruits peuvent vous sembler plus forts avec des surfaces dures comme le sol, les murs et les armoires. Les descriptions suivantes indiquent les genres de bruits et leur cause possible.

- La minuterie de dégivrage fera entendre un déclic lorsque le programme de dégivrage automatique commence et se termine. Le compresseur très efficace peut faire fonctionner votre réfrigérateur neuf plus longtemps que l'ancien. Il se peut également que vous entendiez un bruit saccadé ou aigu en réglant le compresseur ou les ventilateurs pour optimiser la performance.
- Des vibrations sonores peuvent provenir de l'écoulement du réfrigérant ou d'articles placés dans le réfrigérateur.
- À la fin de chaque programme, vous pouvez entendre un gargouillement attribuable au réfrigérant qui se trouve dans votre réfrigérateur.
- Vous pouvez entendre l'écoulement de l'eau dans le plat de récupération d'eau de dégivrage pendant le programme de dégivrage.
- Vous pouvez entendre des déclics lorsque le réfrigérateur se met en marche ou s'arrête.

UTILISATION DU RÉFRIGÉRATEUR

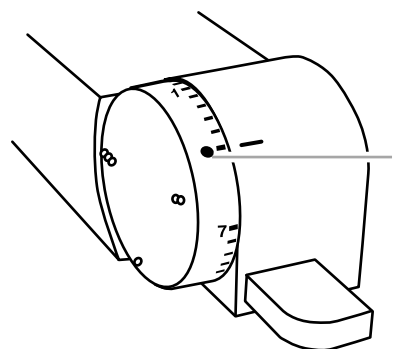
Réglage de température

Le réfrigérateur a été préréglé avant le départ de l'usine. Lors de l'installation initiale du réfrigérateur, vérifiez que le bouton de commande est encore à la position de réglage médiane 5 - voir l'illustration.



Pour commander l'arrêt du réfrigérateur, placer le bouton de commande à la position d'arrêt - voir l'illustration.

REMARQUE : Le réfrigérateur ne fonctionne pas (pas de refroidissement) lorsque le bouton de commande est à la position d'arrêt.



1. Position d'arrêt

Réglage

La position de réglage médiane mentionnée à la section précédente devrait être adéquate pour l'utilisation normale de l'appareil. Le réglage de température est correct lorsque la température d'une boisson rafraîchissante est jugée correcte par la personne qui la consomme.

S'il est nécessaire de modifier la température de maintien, attendre au moins 24 heures entre deux ajustements, et contrôler de nouveau la température.

Pour abaisser la température de maintien du réfrigérateur, sélectionner la position adjacente supérieure. Pour augmenter la température de maintien, sélectionner la position inférieure adjacente.

ENTRETIEN DU RÉFRIGÉRATEUR

Nettoyage

⚠ AVERTISSEMENT



Risque d'explosion

Utiliser un produit de nettoyage ininflammable.

Le non-respect de cette instruction peut causer un décès, une explosion ou un incendie.

Nettoyer le réfrigérateur une fois par mois pour empêcher une accumulation d'odeurs. Essuyer les renversements immédiatement.

Pour nettoyer le réfrigérateur :

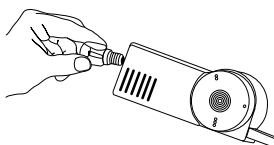
1. Débrancher le réfrigérateur ou déconnecter la source de courant.
2. Retirer toutes les pièces amovibles de l'intérieur, telles que les tablettes, etc.
3. Laver à la main, rincer et sécher les pièces amovibles et les surfaces internes à fond. Utiliser une éponge propre ou un linge doux et un détergent doux dans de l'eau tiède.
 - Ne pas utiliser des nettoyants abrasifs tels que les nettoyants à vitre en atomiseurs, nettoyants à récurer, liquides inflammables, cires nettoyantes, détergents concentrés, eaux de Javel ou nettoyants contenant du pétrole sur les pièces en plastique, les garnitures intérieures, ou les joints de portes. Ne pas utiliser d'essuie-tout, tampons à récurer ou autre outil de nettoyage abrasif. Ces produits risquent d'égratigner ou d'endommager les matériaux.
 - Pour aider à éliminer les odeurs, on peut laver les parois intérieures avec un mélange d'eau tiède et de bicarbonate de soude (2 c. à soupe pour 1 pinte [26 g pour 0,95 L] d'eau).
4. Replacer les pièces détachées.
5. Nettoyer régulièrement les serpentins du condenseur. Ils sont situés à l'arrière de la caisse. Il se peut que les serpentins aient besoin d'être nettoyés aussi souvent qu'à tous les deux mois. Ce nettoyage pourrait aider à économiser de l'énergie.
 - Utiliser un aspirateur avec un accessoire long pour nettoyer les serpentins du condenseur lorsqu'ils sont poussiéreux ou sales.
6. Brancher le réfrigérateur ou reconnecter la source de courant.

Remplacement de la lampe

La lampe d'éclairage est située derrière le module de commande du réfrigérateur, en haut/à droite sur la paroi intérieure.

REMARQUE : On ne peut installer qu'une lampe de rechange conforme à la spécification de l'usine. Pour obtenir une lampe de rechange spécifiée par l'usine, contacter le centre d'interaction avec la clientèle Gladiator™ GarageWorks sans frais au : **1-866-342-4089**.

1. Débrancher le réfrigérateur ou déconnecter la source de courant électrique.
2. Enlever la lampe grillée et installer une lampe qui satisfait la spécification de l'usine.



3. Brancher le réfrigérateur ou reconnecter la source de courant électrique.

Précautions à prendre pour les vacances et avant un déménagement

Vacances

Si vous laissez votre réfrigérateur allumé pendant votre absence, consommer tous les denrées périssables et congeler les autres aliments avant de partir.

Si vous choisissez d'arrêter le réfrigérateur avant de partir, suivre ces étapes.

1. Enlever tous les aliments du réfrigérateur.
2. Tourner la commande du réfrigérateur sur la position d'arrêt. Voir "Réglage de température".
3. Débrancher le réfrigérateur.
4. Nettoyer le réfrigérateur. Voir "Nettoyage".
5. À l'aide d'un ruban adhésif, placer un bloc de caoutchouc ou de bois dans la partie supérieure de la porte de façon à ce qu'elle soit suffisamment ouverte pour permettre l'entrée de l'air à l'intérieur, afin d'éviter l'accumulation d'odeur ou de moisissure.

Déménagement

Lorsque vous déménagez et déplacez votre réfrigérateur dans une nouvelle habitation, suivre ces étapes pour préparer le déménagement.

1. Enlever tous les aliments du réfrigérateur.
2. Tourner la commande du réfrigérateur sur la position d'arrêt. Voir "Réglage de température".
3. Débrancher le réfrigérateur.
4. Bien nettoyer, essuyer et sécher.
5. Retirer toutes les pièces amovibles, bien les envelopper et les attacher ensemble avec du ruban adhésif pour qu'elles ne bougent ni ne s'entrechoquent durant le déménagement.
6. Fermer les portes à l'aide de ruban adhésif et fixer le cordon d'alimentation à la caisse du réfrigérateur.

Lorsque vous arriverez à votre nouvelle habitation, remettre tout en place et consulter la section "Instructions d'installation" pour les instructions de préparation.

DÉPANNAGE

Essayer les solutions suggérées ici d'abord afin d'éviter le coût d'une visite de service non nécessaire.

Votre réfrigérateur ne fonctionne pas

- **Est-ce que le cordon d'alimentation est débranché?** Brancher sur une prise reliée à la terre (à trois alvéoles).
- **Un fusible est-il grillé ou un disjoncteur s'est-il ouvert?** Remplacer le fusible ou remettre le disjoncteur en fonction.
- **La commande du réfrigérateur est-elle réglée à la position OFF (arrêt)?** Voir "Réglage de température".

Les lumières ne fonctionnent pas

- **Est-ce que le cordon d'alimentation est débranché?** Brancher sur une prise reliée à la terre (à trois alvéoles).
- **Une ampoule est-elle desserrée dans la douille?** Tourner la commande du réfrigérateur sur la position d'arrêt. Déconnecter le réfrigérateur de la source de courant électrique. Enlever délicatement l'ampoule et la réinsérer. Reconnecter ensuite le réfrigérateur à la source de courant électrique et régler de nouveau la commande.
- **Une ampoule est-elle grillée?** La remplacer par une ampoule pour appareils ménagers de la même taille, forme et puissance. Voir "Remplacement de la lampe".

Il y a de l'eau dans le bac de dégivrage

- **Le réfrigérateur est-il en train de se dégivrer?** L'eau s'évaporera. C'est normal que l'eau dégoutte dans le bac de dégivrage.
- **Y-a-t-il plus d'humidité que d'habitude?** Prévoir que l'eau dans le plat de dégivrage prenne plus de temps à s'évaporer. Ceci est normal quand il fait chaud ou humide.

Le moteur semble tourner trop

- **La température ambiante est-elle plus élevée que d'habitude?** Prévoir que le moteur fonctionne plus longtemps dans des conditions de chaleur. À la température ambiante normale, prévoir que le moteur fonctionne à peu près 40 % à 80 % du temps. Dans des conditions plus chaudes, prévoir un fonctionnement encore plus fréquent.
- **Vient-on d'ajouter une grande quantité d'aliments au réfrigérateur?** Ajouter une grande quantité d'aliments fait réchauffer le réfrigérateur. Il est normal que le moteur fonctionne plus longtemps pour refroidir le réfrigérateur.
- **La porte est-elle ouverte fréquemment?** Prévoir que le moteur fonctionne plus longtemps dans ce cas. Afin de conserver l'énergie, essayer de sortir tout ce dont vous avez besoin du réfrigérateur à la fois, garder les aliments organisés de sorte qu'ils sont faciles à trouver et fermer la porte dès que les aliments sont retirés.
- **Le réglage est-il correct pour les conditions existantes?** Voir "Réglage de température".
- **La porte est-elle bien fermée?** Bien fermer les portes. Si elles ne ferment pas complètement, voir "Les portes ne ferment pas complètement" plus loin dans cette section.
- **Les serpentins du condenseur sont-ils sales?** Cette situation empêche le transfert de l'air et fait travailler davantage le moteur. Nettoyer les serpentins du condenseur. Voir "Nettoyage".

La température est trop élevée

- **La porte est-elle ouverte fréquemment?** Prévoir que le réfrigérateur deviendra tiède dans ce cas. Pour garder le réfrigérateur froid, essayer de sortir tout ce dont vous avez besoin du réfrigérateur à la fois, garder les aliments bien rangés de sorte qu'il soit facile de les trouver et fermer la porte dès que les aliments sont retirés.
- **Vient-on d'ajouter une grande quantité d'aliments au réfrigérateur?** Ajouter une grande quantité d'aliments fait réchauffer le réfrigérateur. Plusieurs heures peuvent être nécessaires pour que le réfrigérateur revienne à la température normale.
- **Le réglage est-il correct pour les conditions existantes?** Voir "Réglage de température".

Il y a une accumulation d'humidité à l'intérieur

- **La porte est-elle ouverte fréquemment?** Pour éviter l'accumulation d'humidité, essayer de sortir tout ce dont vous avez besoin du réfrigérateur à la fois, garder les aliments bien rangés de sorte qu'il soit facile de les trouver et fermer la porte dès que les aliments sont retirés. Lorsque la porte est ouverte, l'humidité de l'air extérieur pénètre dans le réfrigérateur. Plus la porte est ouverte, plus rapidement l'humidité s'accumule, surtout lorsque la pièce est très humide.
- **La pièce est-elle humide?** Il est normal que de l'humidité s'accumule à l'intérieur du réfrigérateur lorsque l'air dans la pièce est humide.
- **Les aliments sont-ils bien emballés?** Vérifier que tous les aliments sont bien emballés. Essuyer les contenants humides d'aliments avant de les placer dans le réfrigérateur.
- **Le réglage est-il correct pour les conditions existantes?** Voir "Réglage de température".

La porte est difficile à ouvrir

- **Le joint colle-t-il ou est-il sale?** Nettoyer le joint et la surface qu'il touche. Frotter une fine couche de paraffine sur le joint après le nettoyage.

La porte ne ferme pas complètement

- **Les aliments emballés empêchent-ils la porte de fermer?** Réorganiser les contenants de sorte qu'ils soient plus rapprochés et prennent moins d'espace.
- **Les étagères sont-elles bien en place?** Remettre les étagères en bonne position. Voir "Utilisation du réfrigérateur" pour plus de renseignements.
- **Le joint colle-t-il?** Nettoyer le joint et la surface qu'il touche. Frotter une fine couche de paraffine sur le joint après le nettoyage.

ASSISTANCE OU SERVICE

Avant de faire un appel pour assistance ou service, veuillez vérifier "Dépannage". Cette vérification peut vous faire économiser le coût d'une visite de service. Si vous avez encore besoin d'aide, suivre les instructions ci-dessous.

Lors d'un appel, veuillez connaître la date d'achat et les numéros au complet du modèle et de la série de votre appareil. Ces renseignements nous aideront à mieux répondre à votre demande.

Si vous avez besoin de pièces de rechange

Si vous avez besoin de commander des pièces de rechange, nous vous recommandons d'utiliser seulement les pièces de rechange d'origine. Les pièces de rechange d'origine conviendront et fonctionneront bien parce qu'elles sont fabriquées avec la même précision utilisée pour fabriquer chaque nouvel appareil Gladiator™ GarageWorks.

Pour localiser des pièces de rechange d'origine dans votre région, téléphoner au Centre d'interaction avec la clientèle ou au centre de service désigné le plus proche.

Aux États-Unis

Téléphoner au Centre d'interaction avec la clientèle Gladiator™ GarageWorks, sans frais : **1-866-342-4089**.

Nos consultants fournissent de l'assistance pour :

- Caractéristiques et spécifications de notre gamme complète de produits.
- Renseignements d'installation.
- Procédés d'utilisation et d'entretien.
- Vente d'accessoires et de pièces de rechange.
- Assistance spécialisée au client (langue espagnole, malentendants, malvoyants, etc.).
- Les références aux concessionnaires, compagnies de service de réparation et distributeurs de pièces de rechange locaux. Les techniciens de service désignés par Gladiator™ GarageWorks sont formés pour remplir la garantie des produits et fournir un service après garantie partout aux États-Unis.

Pour localiser la compagnie de service désignée par Gladiator™ GarageWorks dans votre région, vous pouvez consulter les Pages jaunes.

Pour plus d'assistance

Si vous avez besoin de plus d'assistance, vous pouvez écrire à Gladiator™ GarageWorks en soumettant toute question ou problème à :

Gladiator™ GarageWorks
Customer Interaction Center
553 Benson Road
Benton Harbor, MI 49022-2692

Dans votre correspondance, veuillez indiquer un numéro de téléphone où l'on peut vous joindre dans la journée.

Au Canada

Téléphoner sans frais au service d'interaction avec la clientèle de Whirlpool Canada Inc. au : **1-800-807-6777**. Du Lundi au vendredi de 8 h 00 à 18 h 00 (HNE). Le samedi de 8 h 30 à 16 h 30 (HNE).

Nos consultants fournissent de l'assistance pour :

- Caractéristiques et spécifications de notre gamme complète d'appareils ménagers.
- Références aux concessionnaires locaux.

Pour plus d'assistance

Si vous avez besoin de plus d'assistance, vous pouvez écrire à Whirlpool Canada Inc. en soumettant toute question ou problème à :

Whirlpool Canada Inc.
Centre d'interaction avec la clientèle
1901 Minnesota Court
Mississauga, Ontario L5N 3A7

Dans votre correspondance, veuillez indiquer un numéro de téléphone où l'on peut vous joindre dans la journée.

GARANTIE DU RÉFRIGÉRATEUR MODULAIRE POUR GARAGE GLADIATOR™ GARAGEWORKS

GARANTIE COMPLÈTE D'UN AN SUR LE RÉFRIGÉRATEUR MODULAIRE

Pendant un an à compter de la date d'achat, lorsque cet appareil est utilisé et entretenu conformément aux instructions jointes à ou fournies avec le produit, Gladiator™ GarageWorks paiera pour les pièces d'origine et les frais de main d'œuvre de réparation pour corriger les vices de matériaux ou de fabrication. Le service doit être fourni par une compagnie de service désignée par Whirlpool.

Gladiator™ GarageWorks ne paiera pas pour :

1. Les visites de service pour rectifier l'installation de tout appareil Gladiator™ GarageWorks, montrer à l'utilisateur comment utiliser ou installer l'appareil, remplacer des fusibles ou rectifier le câblage ou la plomberie du domicile ou remplacer des ampoules électriques.
2. Les dommages causés par une manipulation ou une expédition des produits incorrecte, ou les produits endommagés par accident, abus, incendie, inondation, installation incorrecte, catastrophe naturelle, négligence, corrosion, modification ou mauvaise manipulation.
3. Les frais d'expédition ou de transport pour livrer des produits de rechange ou retourner des produits défectueux.
4. Les réparations ou le remplacement lorsque votre produit est utilisé autrement que pour une utilisation domestique unifamiliale, comme dans un environnement commercial.
5. Les défauts d'apparence - éraflures, traces de choc ou fissures - n'affectant pas la fonctionnalité ou la résistance structurale du produit.
6. Les pièces ou le produit de rechange pour les produits Gladiator™ GarageWorks qui sont utilisés en dehors des États-Unis et du Canada.
7. Au Canada, les frais de déplacement ou de transport pour les clients qui habitent dans des régions éloignées.
8. Les dommages causés par un chargement incorrect au-delà de la capacité de poids maximum spécifiée dans les instructions d'assemblage fournies avec le produit, y compris la surcharge de crochets, paniers, étagères, caisses et autres accessoires Gladiator™ GarageWorks utilisés avec le produit.
9. Les surfaces endommagées par une interaction chimique causée par la corrosion de la peinture ou du métal.
10. Toute perte d'aliment ou de boisson due à une défaillance de l'appareil.

GLADIATOR™ GARAGEWORKS ET WHIRLPOOL CANADA INC. N'ASSUMENT AUCUNE RESPONSABILITÉ POUR LES DOMMAGES FORTUITS OU INDIRECTS

Certains États ou certaines provinces ne permettent pas l'exclusion ou la limitation des dommages fortuits ou indirects de sorte que cette exclusion ou limitation peut ne pas être applicable dans votre cas. Cette garantie vous donne des droits légaux spécifiques, et vous pourriez aussi avoir d'autres droits qui peuvent varier d'un État à l'autre ou d'une province à l'autre.

À l'extérieur du Canada et des 50 États des États-Unis, cette garantie ne s'applique pas. Contacter votre marchand Gladiator™ GarageWorks autorisé pour déterminer si une autre garantie s'applique.

Si vous avez besoin de service, voir d'abord la section "Dépannage" de ce manuel. Après avoir vérifié "Dépannage", de l'aide supplémentaire peut être trouvée en vérifiant la section "Assistance ou service" ou en appelant le Centre d'interaction avec la clientèle Whirlpool au **1-866-342-4089** (sans frais), de n'importe où aux États-Unis. Au Canada, contactez votre compagnie de service désignée par Whirlpool Canada Inc. ou composez le **1-800-807-6777**. 7/03

Conservez ce manuel et votre reçu de vente ensemble pour référence ultérieure. Pour le service sous garantie, vous devez présenter un document prouvant la date d'achat ou d'installation.

Inscrivez les renseignements suivants au sujet de votre réfrigérateur modulaire pour mieux vous aider à obtenir assistance ou service en cas de besoin. Vous devrez connaître le numéro de modèle et le numéro de série au complet. Vous trouverez ces renseignements sur la plaque signalétique située sur la paroi intérieure du réfrigérateur modulaire.

Nom du marchand _____

Adresse _____

Numéro de téléphone _____

Numéro de modèle _____

Numéro de série _____

Date d'achat _____

5019 602 33056/2253700A

2003 Whirlpool Corporation.

All rights reserved.

Todos los derechos reservados.

Tous droits réservés.

® Registered Trademark/TM Trademark of Whirlpool, U.S.A., Whirlpool Canada Inc. Licensee in Canada

® Marca registrada/TM Marca de comercio de Whirlpool, EE.UU., usada bajo licencia de Whirlpool Canada Inc. en Canadá Impreso en Italia

® Marque déposée/TM Marque de commerce de Whirlpool, U.S.A., Emploi licencié par Whirlpool Canada Inc. au Canada Imprimé en Italie

11/03

Printed in Italy

Impresso en Italia

Imprimé en Italie