



2 in 1 Hair Straightener & Curler

SY-PP17

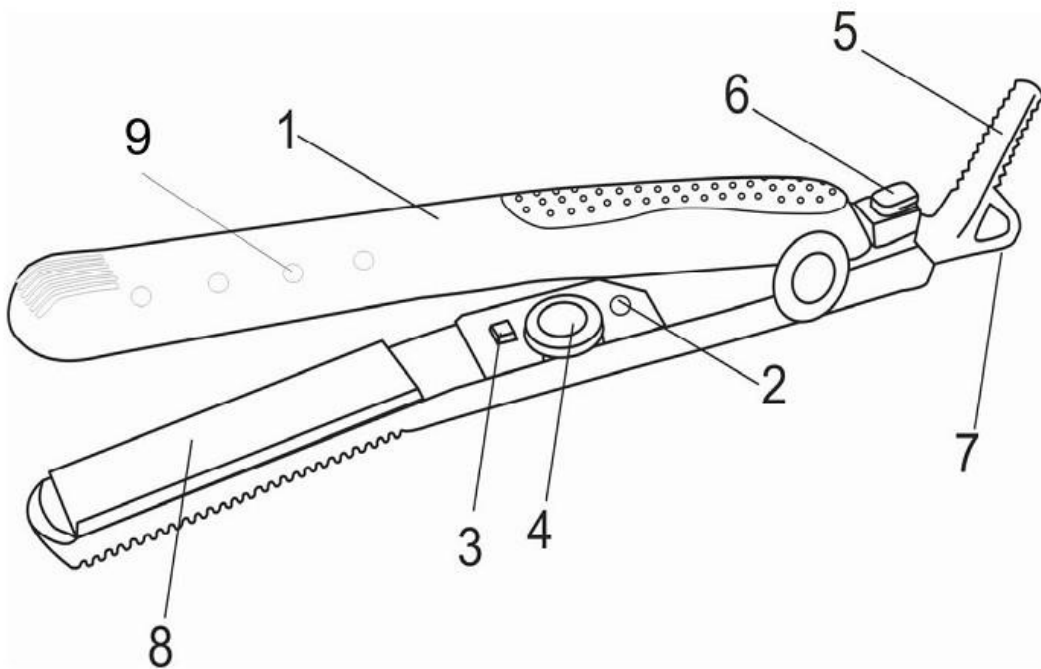
Instructions Manual

WELCOME

Thank you for purchasing the Wet&Dry Hair Straightener SY-PP18. In order to fully benefit from this product please read the following instructions carefully and store this user manual in a safe place for future reference.

PARTS OF THE SY-PP18

1. Body
2. Pilot light
3. On/Off switch
4. Variable thermostat
5. Swivel cord
6. Lock button
7. Hanging loop
8. Ceramic heating element
9. WET&DRY Evaporation System



IMPORTANT SAFEGUARDS

- Before the first use of the appliance check that the voltage indicated on the rating label corresponds to the mains voltage in your home.
- For home use only. Do not use for industrial purposes. Do not use the appliance for any other purposes than described in this instruction manual.
- Do not use outdoors.
- Always unplug the appliance from the power supply before cleaning and when not in use.

- To prevent risk of electric shock and fire, do not immerse the appliance in water or any other liquids. However if this does occur DO NOT TOUCH the appliance, unplug it immediately and contact your near service center.
- Do not take this product to a bathroom or use near water.
- This appliance is not intended for use by persons (including children) with reduced physical, sensory or mental capabilities, or lack of experience and knowledge, unless they have been given supervision or instruction concerning use of the appliances by a person responsible for their safety.
- Children should be supervised to ensure that they do not play with the appliance.
- Do not leave the appliance switched on when you do not use it.
- Do not use different attachments other than those supplied.
- Do not operate after malfunction or if the cord is damaged.
- Do not attempt to repair, adjust or replace parts in the appliance. Repair the malfunctioning appliance in the nearest service center.
- To protect against the risk of severe burns, do not touch the heating plates.

CAUTION:

- Be careful, the device becomes very hot during operation.
- If the device is plugged in the socket or it is cooling off after using, do not place the device on an unprotected surface or lean it against the power cord.
- The device is to be used only on dry clean hair or towel-dried hair.
- The manufacturer reserves the right to introduce minor changes into the product design without prior notice, unless such changes influence significantly the product safety, performance, and functions.

INSTRUCTION FOR USE

- Before using always make sure that the cord is straightened out.
- Insert the plug into the power socket; the indicator light should light up. Allow the appliance to heat for a few minutes.
- Since this unit permits using on wet hair, it is not necessary to fully dry your hair before using.
- Before using it on your hair, divide the hair into thin strands of hair.
- To straighten the hair, place it between the straightening plates and gently slide it downwards. Repeat this process 2-4 times.
- Use the unit only on clean, dry and combed hair:
- Make sure that evaporation outlets do not come in direct contact with the hands, face, head or hair.
- Hold the unit in a manner so that the evaporation outlets are pointed outwards, not to the head.
- When using the unit you may hear slight cracking noises or notice steam jets. Do not be concerned about it; it is a normal process as the excessive water evaporates from the hair.
- Do not comb hair just after using the appliance, wait until it cools down.
- When finished, switch the appliance off and unplug it from the power supply.

WARNING! Do not cover evaporation outlets with hands.

CARE AND CLEANING

- Before cleaning switch off the appliance, unplug it from the power supply and let it cool down completely.
- Do not use chemical liquids or abrasive cleaners to clean the unit.

STORAGE

- Make sure that the hair straightener is completely cool and dry before storing.
- Do not wrap the cord around the appliance as this may cause damage to the cord.
- Keep the appliance in a cool and dry place.
- Place the unit in a safe place away from water and places where it can suffer damages.

SPECIFICATIONS

Wet&Dry hair straightener

Wet&Dry—Permits the use on wet and dry hair

Professional black ceramic plates which help to maintain straight and shiny hair

Temperature control knob: (120°~200°)

Maximum temperature (200°C ~ 35W)

Heat distributed evenly on plates.

Plates heat up in less than 1 minute

LED power indicator

360°swivelcord

Lock button (Blocks the straightener to open)

On / Off switch button

DECLARATION OF CONFORMITY

Manufacturer Name: Satyatrade S. L.
Address: Pol. Ind. La Raya. C/ Guadalquivir, 2.
Camarma de Esteruelas, 28816 Madrid
Tel: 902 430 967
Fax: 91 8864285
NIF: B83254763
Manufacturing country: China
Sytech® SY-PP18 complies with the following directives:

EMC Standard: Directive 2004/108/EC
EN 55014-1:2006+A1:2009
EN 55014-2:1997+A2:2008
EN 6100-3-2:2006+A2:2009
EN 61000-3-3:2008

LVD standard: Directive 2006/95/EC
EN 60335-1:2002+A1:2004+A2:2006
+A12:2006+A13:2008
EN 60335-2-23:2003+A1:2008

ROHS standard:2002/95/EC Restriction of Hazardous Substance

Signed: Ajeet Nebhwani Utamchandani
Sole Administrator

