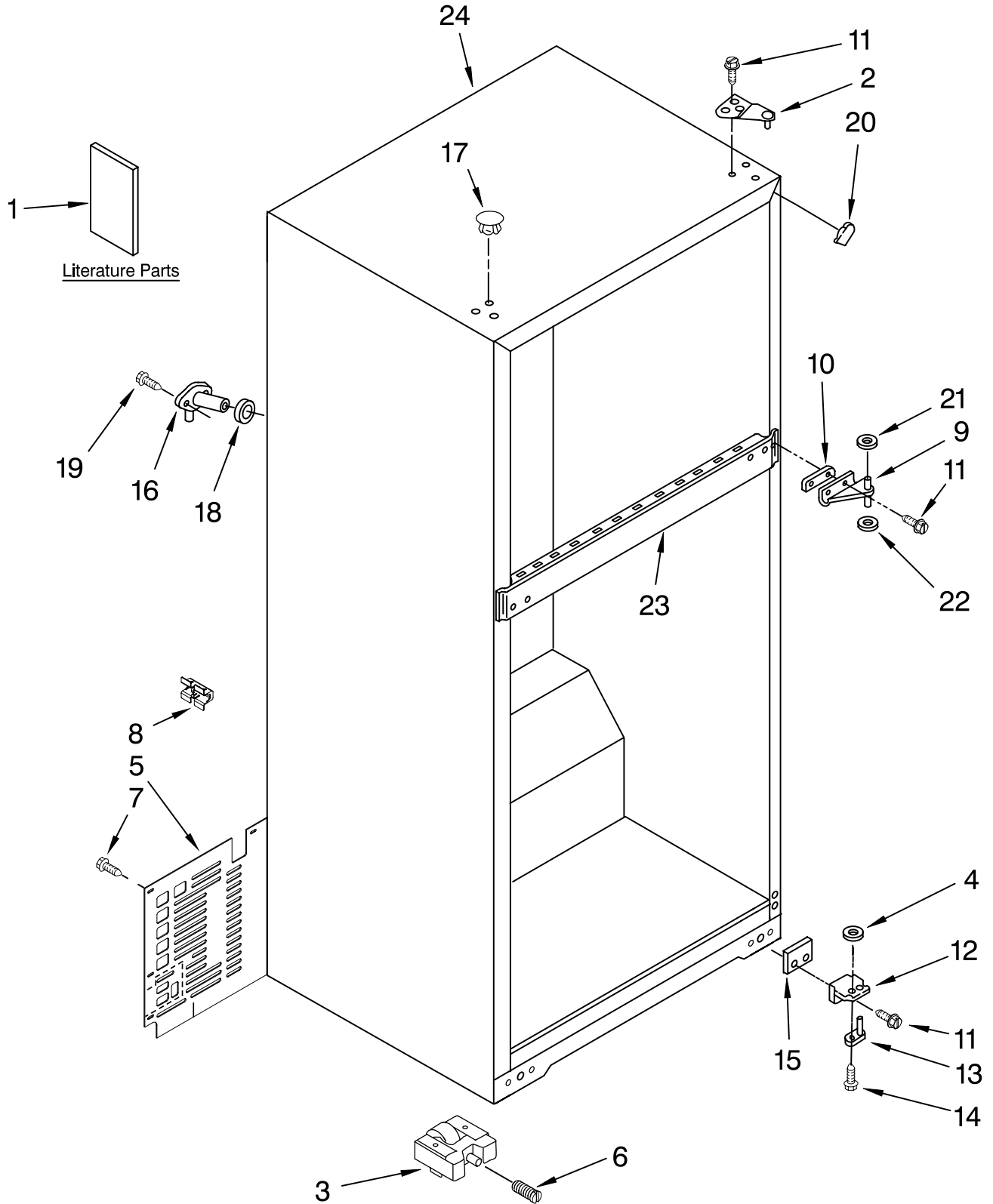




# CABINET PARTS

REFRIGERATOR

For Models: ET8WTKXVQ00, ET8WTKXVT00, ET8WTKXVB00  
(White) (Biscuit) (Black)



FOR ORDERING INFORMATION REFER TO PARTS PRICE LIST

# CABINET PARTS

For Models: ET8WTKXVQ00, ET8WTKXVT00, ET8WTKXVB00

(White)

(Biscuit)

(Black)

Illus. No.	Part No.	DESCRIPTION
1		Literature Parts
	2265591	Service & Wiring Sheet
	2316016	Use & Care Guide
	W10179570	Energy Guide

## Following May Be Purchased

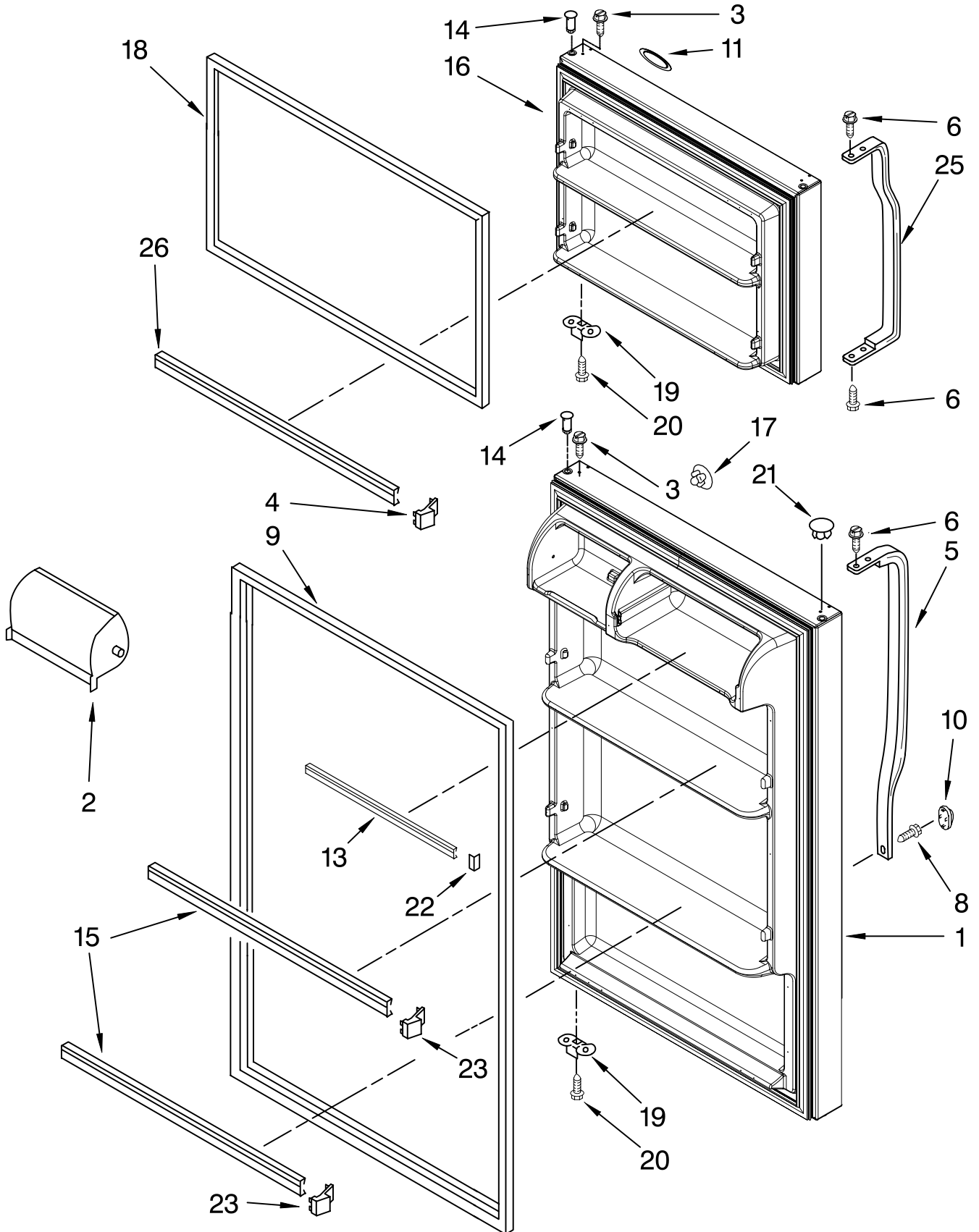
### DO-IT-YOURSELF REPAIR MANUALS

	677969	Do-It-Yourself Manual, Ref./ Fzr.
2	2261963	Hinge Butt, Top
3	2324094	Roller, Front
4	488296	Washer
5	2264132	Cover, Unit
6	2222100	Screw
7	489442	Screw
8	2266506	Spacer, Back
9	2166086	Hinge, Center
10	2166043	Shim, Hinge Center
11	489497	Screw
12	2221926	Hinge Butt, Bottom
13	9791682	Hinge-Pin, Bottom
14	3428970	Screw
15	2201567	Shim, Bottom Hinge
16	2174760	Fitting, Water Tube
17		Hole Plug (6)
	2201012	White
	2200924	Biscuit
	2183998	Black
18	1106508	Seal
19	2262176	Screw
20		Corner Filler
	2166003	White
	2202282	Biscuit
	2215384	Black
21	489341	Washer
22	487576	Washer 7/64
23		Rail, Center (Not Serviced)
24		Cabinet (Not a Serviceable Part)

FOR ORDERING INFORMATION REFER TO PARTS PRICE LIST

# DOOR PARTS

For Models: ET8WTKXVQ00, ET8WTKXVT00, ET8WTKXVB00  
(White) (Biscuit) (Black)



FOR ORDERING INFORMATION REFER TO PARTS PRICE LIST

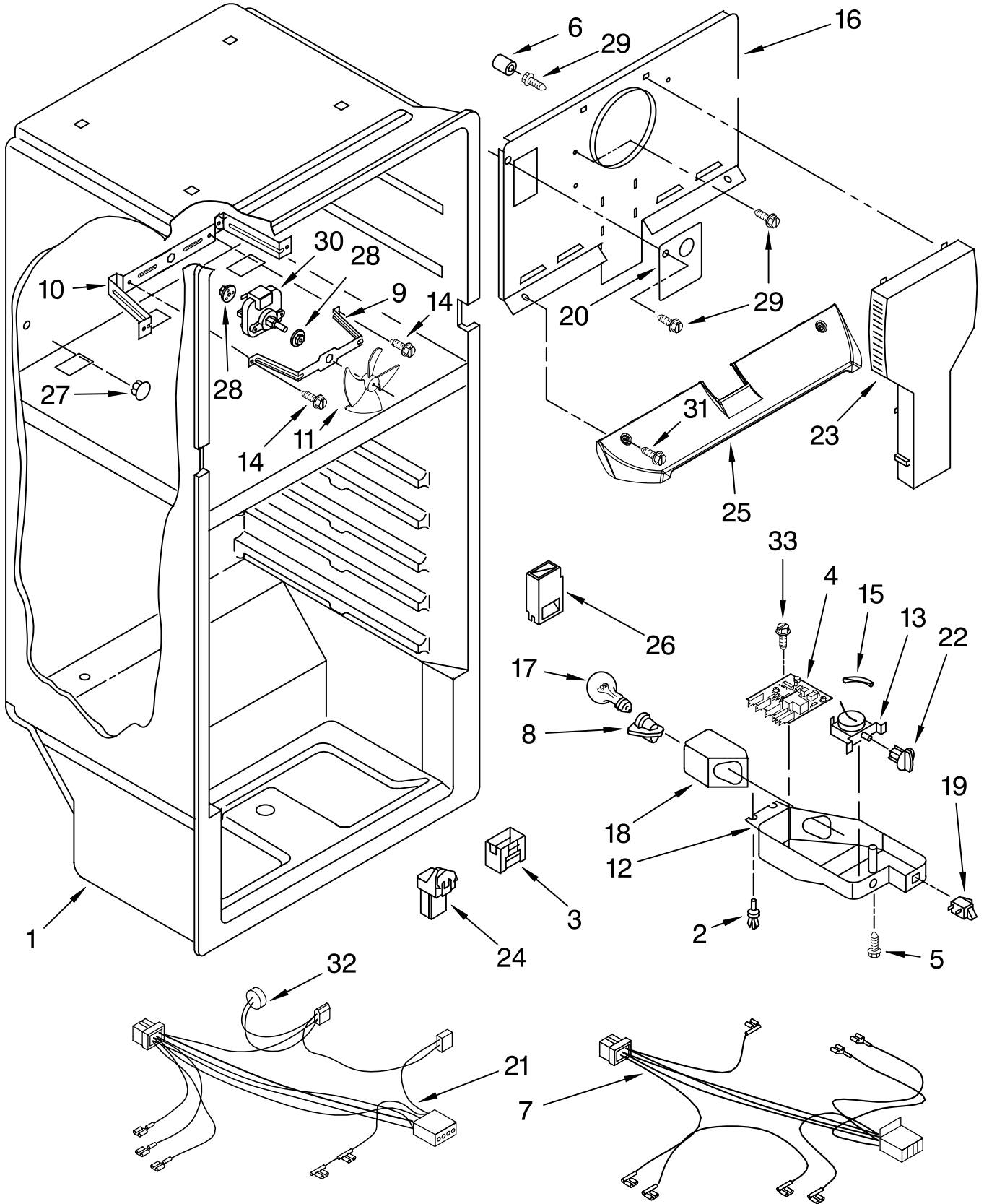
# DOOR PARTS

For Models: ET8WTKXVQ00, ET8WTKXVT00, ET8WTKXVB00  
 (White)                      (Biscuit)                      (Black)

Illus. No.	Part No.	DESCRIPTION
1		Refrigerator Door (Includes Illus. 9 & 14)
	2266588W	White
	2266588T	Biscuit
	2266588B	Black
2	2207942	Door Compartment
3	8281206	Screw
4	2156003	Trim, Endcap
5		Handle, Refrigerator
	2221946W	White
	2221946T	Biscuit
	2326169B	Black
6	489357	Screw
8	8281146	Screw
9		Door Gasket, Magnetic
	2263258	Mist Beige
	2264723	Black
10		Screw Cover
	2202819W	White
	2202819T	Biscuit
	2202819B	Black
11	2262218	Nameplate
13	2266729	Trim, Door Shelf
14	2262054	Thimble
15	2266738	Trim, Door
16		Freezer Door
	2265990W	White
	2265990T	Biscuit
	2265990B	Black
		(Includes Illus. 14 & 18)
17		Hole Plug, Handle
	2189000	White
	2200936	Biscuit
	2189009	Black
18		Door Gasket, Magnetic
	2263257	Mist Beige
	2264722	Black
19	2189202	Bracket, Door Stop
20	488921	Screw
21		Hole Plug
	2212648	White
	2212649	Biscuit
	2212651	Black
22	2156007	Plug, Trim
23	2195916	Trim, Endcap
25		Handle, Freezer
	2202098	White
	2215015	Biscuit
	2202098B	Black
26	2266727	Trim, Endcap

# LINER PARTS

For Models: ET8WTKXVQ00, ET8WTKXVT00, ET8WTKXVB00  
 (White) (Biscuit) (Black)



FOR ORDERING INFORMATION REFER TO PARTS PRICE LIST

# LINER PARTS

For Models: ET8WTKXVQ00, ET8WTKXVT00, ET8WTKXVB00  
(White) (Biscuit) (Black)

<b>Illus. No.</b>	<b>Part No.</b>	<b>DESCRIPTION</b>
1		Liner (Not A Serviceable Part)
2	939962	Rivet
3	2183061	Cover, Air Diffuser
4	2303825	Adaptive Defrost Control
5	489174	Screw
6	487996	Plastic Closure
7	2265930	Wire Assembly Control Box
8	2162085	Socket, Light
9	2197404	Fan Support Bracket
10	2197405	Fan Mounting Bracket
11	2169142	Fan Blade
12	2215210	Control Box
13	2325701	Thermostat
14	489399	Screw
15	1118680	Thermostat Tube Barrier
16	2264669	Cover, Evaporator
17	2252970	Light Bulb
18	9791702	Light Shield
19	1118894	Rocker Arm Switch
20	2217784	Cover, Hole
21	2319442	Wiring, Freezer (Includes Item 32)
22	2202885	Control Knob
23	9790408	Air Tower
24	2197052	Hood And Foil Assembly
25	2261978	Cover, Air Return
26	2221992	Air Diffuser Assembly
27	941839	Hole Plug
28	2264462	Grommet, Motor
29	489478	Screw
30	2201212	Evaporator Fan Motor
31	2262178	Screw
32	2266066	Defrost, BI-Metal
33	488693	Screw

FOR ORDERING INFORMATION REFER TO PARTS PRICE LIST

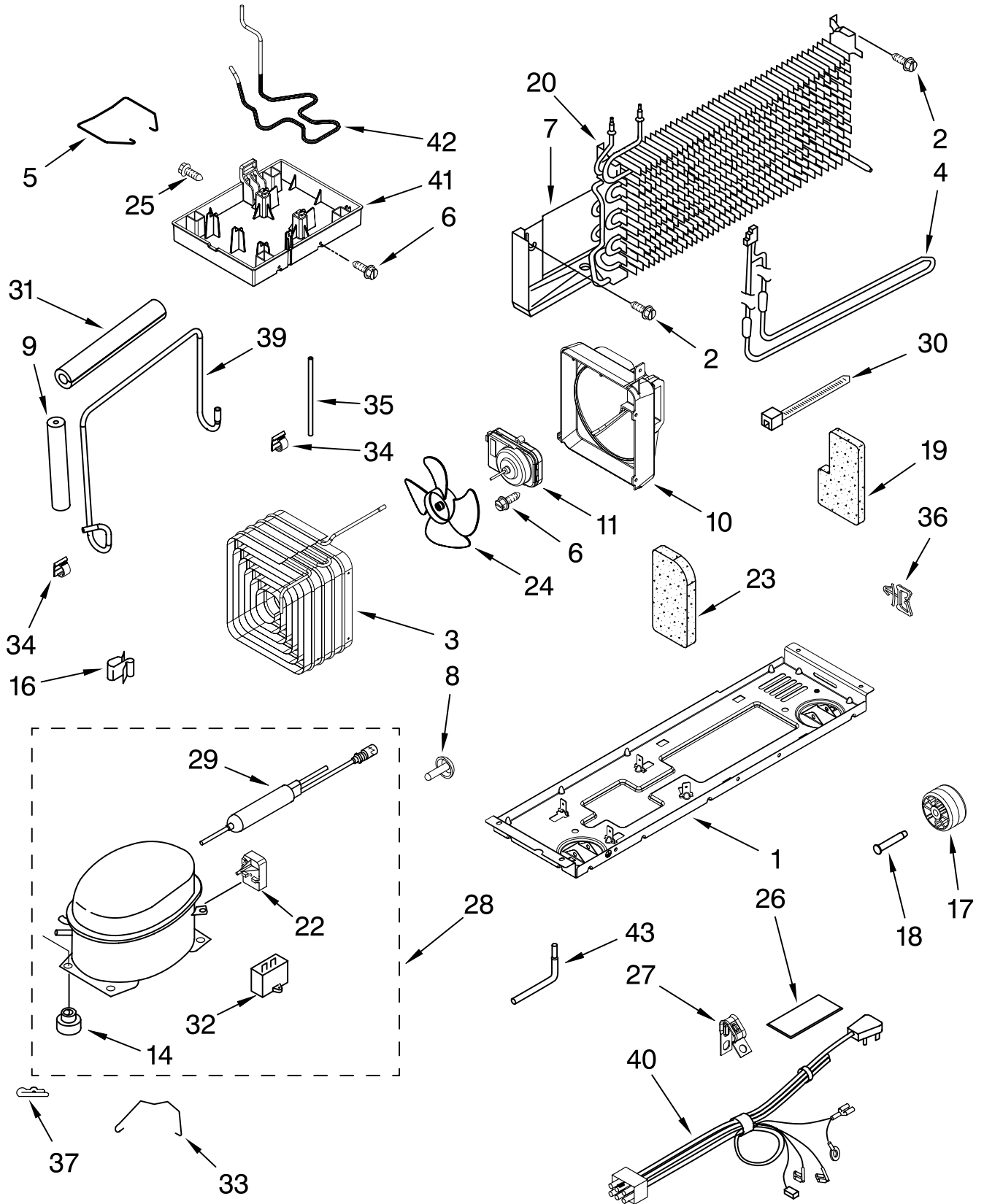
# UNIT PARTS

For Models: ET8WTKXVQ00, ET8WTKXVT00, ET8WTKXVB00

(White)

(Biscuit)

(Black)



FOR ORDERING INFORMATION REFER TO PARTS PRICE LIST

# UNIT PARTS

For Models: ET8WTKXVQ00, ET8WTKXVT00, ET8WTKXVB00

(White)

(Biscuit)

(Black)

Illus. No.	Part No.	DESCRIPTION
1	W10127456	Support Plate, Compressor
2	489442	Screw
3	2264004	Condenser
4	2176942	Heater, Defrost
5	2264835	Clip, Condensor
6	8533859	Screw
7	2319224	Heat Shield
8	2264516	Snap-Rivet
9	2161302	Sleeve
10	2263929	Air Baffle
11	2188875	Motor, Condensor
14		Grommet
	2264447	Production
	4387558	Service
16	939054	Clip, Wire
17	2150304	Roller
18	2264756	Axle, Rivet
19	2262191	Wedge, Evaporator
20	2263920	Evaporator Assy.
22	2225929	Start- Device Combination (Start Relay and Overload for Production Compressor Only)

Illus. No.	Part No.	DESCRIPTION
23	2262192	Wedge, Evaporator
24	2264129	Fan Blade
25	2264841	Screw
26	2266360	Shield, Electrical
27	549193	Clamp, Cord
28	2217634	Compressor (Includes Items 14, 29 & 32)
29		Drier
	2317845	Service
30	2263990	Strap
31	2264838	Sleeve
32		Capacitor
	2264017	Production
	1118576	Service
33	2212996	Bale Strap
34	1114718	Clip, Wiring
35	2264278	Tube, Drain
36	2266467	Clip, Harness
37	24364001	Clip, Compressor
39	2264131	Extension, Tube-Heat
40	W10151677	Wire Assy. Unit
41	2263928	Evaporator Tray
42	2316181	Tube, Discharge (Incl. Pre Cooler)
43	VS20001	Tube, Process

Illus. No.	Part No.	DESCRIPTION
Following Parts Not Illustrated and Optional Parts Not Included		
	978025	Valve, Access (1/4")
	978026	Valve, Access (5/16")
	978027	Valve, Access (3/8")
	978028	Valve, Access (1/2")
	978029	Valve, Access (5/8")
	978030	Valve, Access (3/4")
	876764	Valve, Access (3/16")

### REFRIGERANT CHARGE

3.75 Ozs.  
(R134A)

FOR ORDERING INFORMATION REFER TO PARTS PRICE LIST



# SHELF PARTS

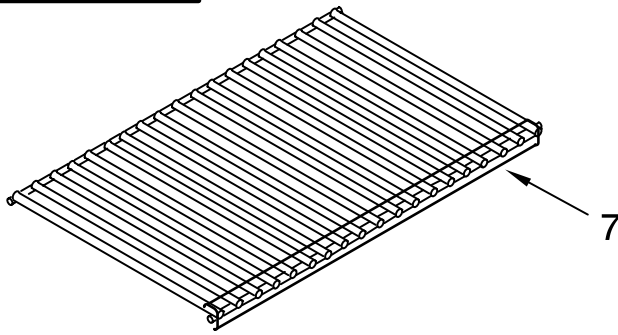
For Models: ET8WTKXVQ00, ET8WTKXVT00, ET8WTKXVB00

(White)

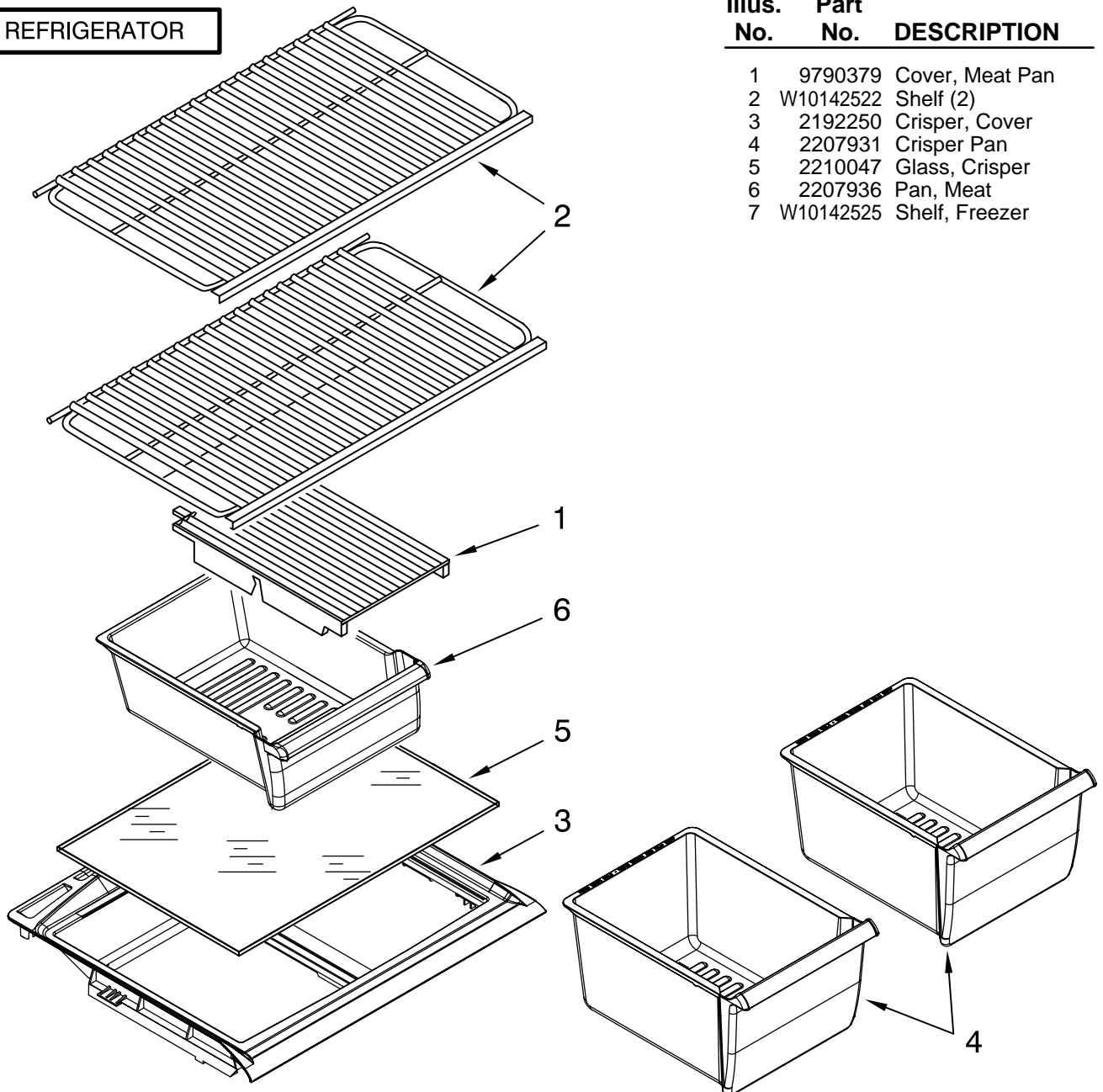
(Biscuit)

(Black)

**FREEZER**



**REFRIGERATOR**



Illus. No.	Part No.	DESCRIPTION
1	9790379	Cover, Meat Pan
2	W10142522	Shelf (2)
3	2192250	Crisper, Cover
4	2207931	Crisper Pan
5	2210047	Glass, Crisper
6	2207936	Pan, Meat
7	W10142525	Shelf, Freezer

FOR ORDERING INFORMATION REFER TO PARTS PRICE LIST

# OPTIONAL PARTS

For Models: ET8WTKXVQ00, ET8WTKXVT00, ET8WTKXVB00

(White)

(Biscuit)

(Black)

Illus. No.	Part No.	DESCRIPTION	Illus. No.	Part No.	DESCRIPTION	Illus. No.	Part No.	DESCRIPTION
Parts Not Illustrated and Optional Parts (Not Included)			<b>Customer Touch-Up Material</b>			<b>TORX SCREW WRENCH</b>		
	978941	Insulation, Fiberglass (63-1/2" x 35-1/2" x 2-5/8")		*350942	Primer, White (12 Oz. Spray Can)		1117510	Torx Key
	212643	Sealer, Gum (4 Feet)		*350939	Enamel, Black (12 Oz. Spray Can)			
	479502	Tape, Vinyl (3/4" x 108")		*350930	Enamel, White (12 Oz. Spray Can)			
	876305	Kit, Insulation (14 Pcs. 3" x 24" x 48")		*4392901	Enamel, Biscuit (12 Oz. Spray Can)			
	876370	Kit, Insulation (2 Pcs. 3" x 24 " x 48")		72017	Brush Touch-Up Kit (White)			
	876029	Kit, Foam Slab (30" x 32-1/2" x 1-1/2")		72032	Brush Touch-Up Kit (Black)			
	505587	Sealer, Mastic (1 Qt.)		4392899	Brush Touch-Up Kit (Biscuit)			
	511873	Touch-Up, White Porcelain (2 Oz.)		<b>Refinishing Material</b>				
	542638	Grease, Silicone (1/2 Oz.)		799344	Enamel, White (1 Qt. Uncut)			
	542639	Cement, Alumilastic (1-1/4 Oz.)		799340	Enamel, Black (1 Qt. Uncut)			
	606755	Bag, Insulation (36-5/8" x 46")		4392900	Enamel, Biscuit (1 Qt. Uncut)			
	799833	Kit, Evaporator Repair (Aluminum Epoxy)		833938	Kit, Terminal Connector			
	799832	Kit, Porcelain Repair (White)		<p><b>*Important:</b> The spray paint is not to be used where the paint may make contact with the door gaskets.</p>				
	503695	Cork Sealer (1/4 Pound)						

FOR ORDERING INFORMATION REFER TO PARTS PRICE LIST