
This document provides additional assistance with wiring your Extron IP Link enabled product to your device. Different components may require a different wiring scheme than those listed below.

For complete operating instructions, refer to the user's manual for the specific Extron IP Link enabled product or the controlled device manufacturer supplied documentation.

Device Specifications:

Device Type: Video Projector
Manufacturer: NEC
Firmware Version: N/A
Model(s): NP-PE401H, NP-PE401HG

Version History:

Driver Version	Date	IP Link Compiler	GC Version	Notes
3	8/29/2013	1.6.0	3.5.1	Added NP-PE401HG model.
2	6/14/2013	1.6.0	3.5.1	Added Power Save status feedback.
1	6/19/2013	1.6.0	3.5.0	Initial version.

Driver Notes:

- Driver has been optimized for Volume.
- The driver is not recommended for pass-through mode.
- Standby Mode has to be set to Normal and Auto Power Off has to be set to 0 in order for the commands to work.

Control Commands & States:

Aspect Ratio	1.25:1 Crop Full Stadium	1.33:1 2.35:1 Cinema	1.78:1 Normal V-Zoom
Audio Mute	On	Off	
Auto Image	Execute		
Freeze	On	Off	
Input	Computer Video	HDMI1 S-Video	HDMI2
Lamp Mode	Normal	Eco	
Menu Navigation	Up Right	Down Menu	Left Enter
PIP Input	Video	S-Video	Off
PIP Mode	PIP	Side by Side	
PIP Position	Top Left Bottom Right	Top Right	Bottom Left
Power Control	On	Off	
Video Mute	On	Off	
Volume (Discrete)	0 to 31 in steps of 1		
Volume (Step)	Up	Down	

Status Available:

Audio Mute	On	Off	
Connection Status	Connected	Disconnected	
Device Status	Normal	Lamp Cover Error	Temp Error
	Fan Failure	Power Error	Lamp Error
	Lamp Life Expired	Format Error	FPGA Error
	Temp Sensor Failure	Lamp Housing Error	Lamp Data Error
	Mirror Cover Error	High Temperature	Sensor Error
	Pump Error	Multiple Errors	Status Unavailable
Filter Usage	Hours		
Input	Computer	HDMI1	HDMI2
	Video	S-Video	
Lamp Mode	Normal	Eco	
Lamp Usage	Hours		
Operation Hours	Hours		
PIP Input	Video	S-Video	Off
PIP Mode	PIP	Side by Side	
PIP Position	Top Left	Top Right	Bottom Left
	Bottom Right		
Power Control	On	Off	
Power Status	On	Off	Cooling Down
	Warming Up	Status Unavailable	
Video Mute	On	Off	
Volume (Discrete)	0 to 31 in steps of 1		

MLC60 Series Supported Commands:

Aspect Ratio	1.25:1 Crop Full Stadium	1.33:1 2.35:1 Cinema	1.78:1 Normal V-Zoom
Audio Mute	On	Off	
Auto Image	Execute		
Freeze	On	Off	
Input	Computer Video	HDMI1 S-Video	HDMI2
Lamp Mode	Normal	Eco	
Menu Navigation	Up Right	Down Menu	Left Enter
PIP Input	Video	S-Video	Off
PIP Mode	PIP	Side by Side	
PIP Position	Top Left Bottom Right	Top Right	Bottom Left
Power Control	On	Off	
Video Mute	On	Off	
Volume (Discrete)	0 to 31 in steps of 1		
Volume (Step)	Up	Down	

Cable and Adapter Requirements:

F/F RS232 DB9 Null Modem Serial Cable

Notes for the Device:

Serial communication:

Port Type: RS-232

Baud Rate: 38400

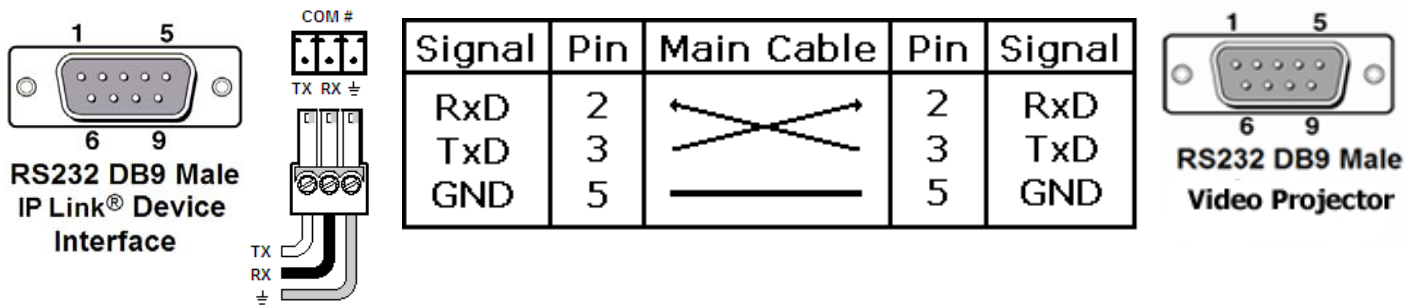
Data Bits: 8

Parity: None

Stop Bits: 1

Flow Control: None

Pin Assignments Diagram:



Note: Captive screw connector may also be used as a serial connection.

General Notes: