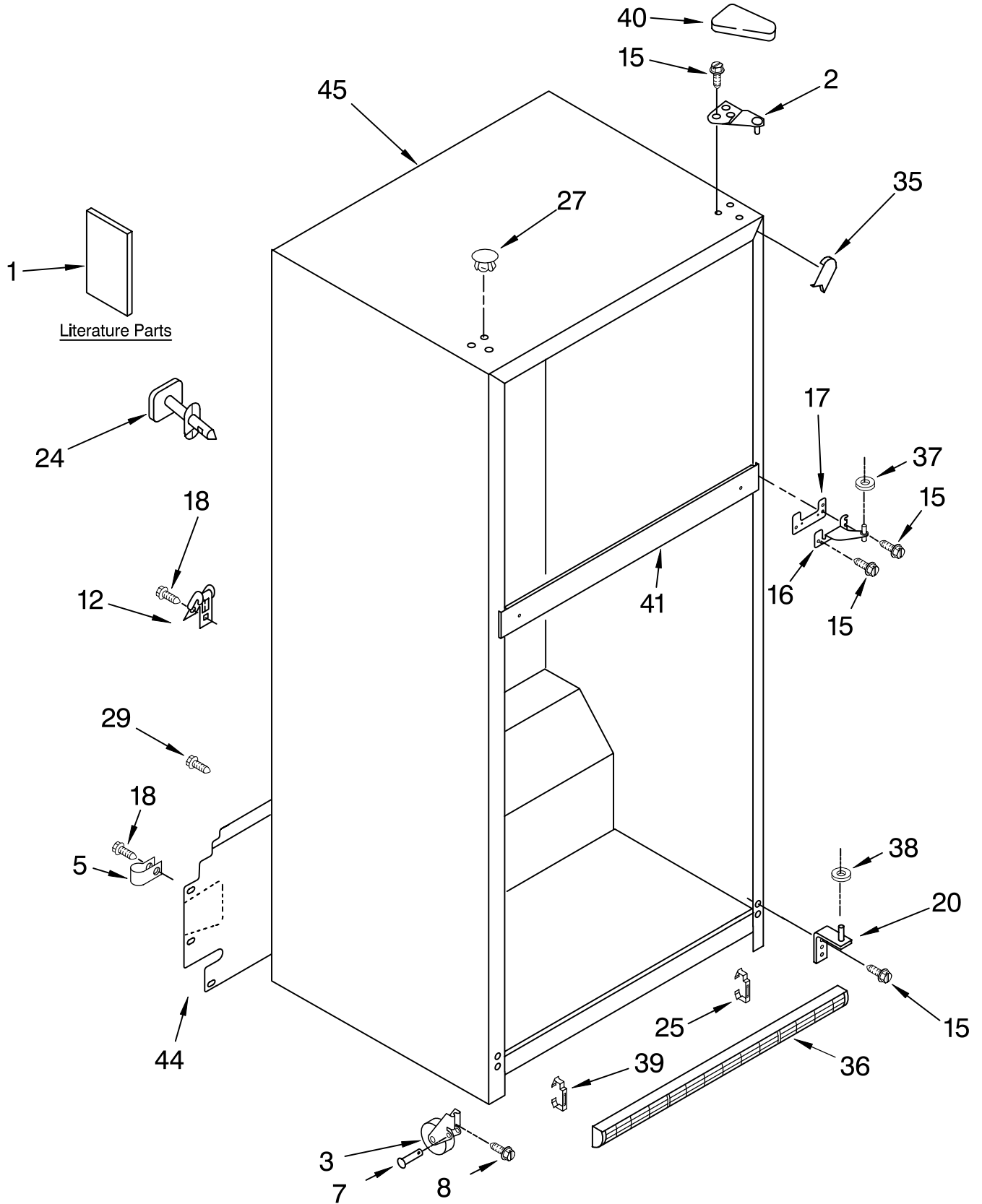




CABINET PARTS

REFRIGERATOR

For Models: ET8WTKXKQ08, ET8WTKXKT08, ET8WTKXKB08
(White) (Biscuit) (Black)



FOR ORDERING INFORMATION REFER TO PARTS PRICE LIST

CABINET PARTS

For Models: ET8WTKXKQ08, ET8WTKXKT08, ET8WTKXKB08
(White) (Biscuit) (Black)

Illus. No.	Part No.	DESCRIPTION	Illus. No.	Part No.	DESCRIPTION	Illus. No.	Part No.	DESCRIPTION
1		Literature Parts	7	2179826	Rivet	36		Grille
	2225759	Service & Wiring Sheet	8	3400504	Screw			(Includes Illus. 25 & 39)
	2302218	Energy Label	12	549193	Clamp, Cord		2254386	White
	2302037	Use & Care Guide	15	489497	Screw		2254389	Biscuit
	2225413	Customer Instructions	16	2183972	Hinge, Center		2254388	Black
			17	2183854	Shim, Hinge Center	37	489341	Washer
			18	8281265	Screw	38	487576	Washer
			20	2254473	Hinge Butt	39	2189356	Clip, Grille
			24		Fitting, Water Tube (NOT SERVICED)	40		Cover, Hinge
			25	2254385	Clip, Grille		2213360	White
			27		Hole Plug (6)		2213364	Biscuit
				2201012	White		2213363	Black
				2200924	Biscuit	41		Rail, Center (NOT SERVICED)
				2183998	Black	44	2221775	Cover, Unit
			29	489427	Screw	45		Cabinet (Not a Serviceable Part)
			35		Corner Filler (2)			
				2201014	White			
				2200926	Biscuit			
				2201017	Black			

Following May Be Purchased

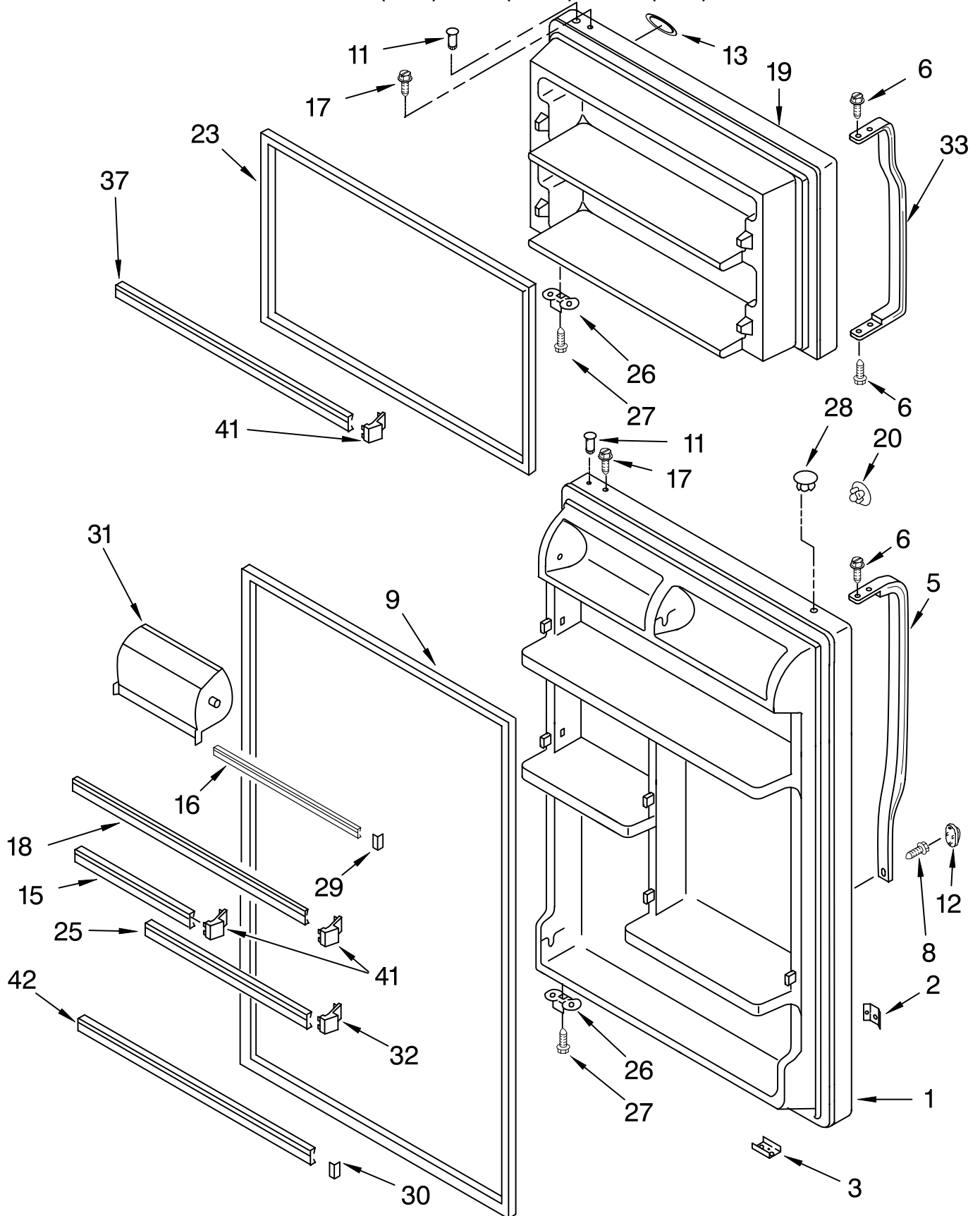
DO-IT-YOURSELF REPAIR MANUALS

677969 Do-It-Yourself Manual, Ref./Fzr.

2 2189410 Hinge (Top)
3 2166108 Roller, Front (2)
5 489385 Clamp, Tube (Water Supply Line)

DOOR PARTS

For Models: ET8WTKXKQ08, ET8WTKXKT08, ET8WTKXKB08
(White) (Biscuit) (Black)



FOR ORDERING INFORMATION REFER TO PARTS PRICE LIST

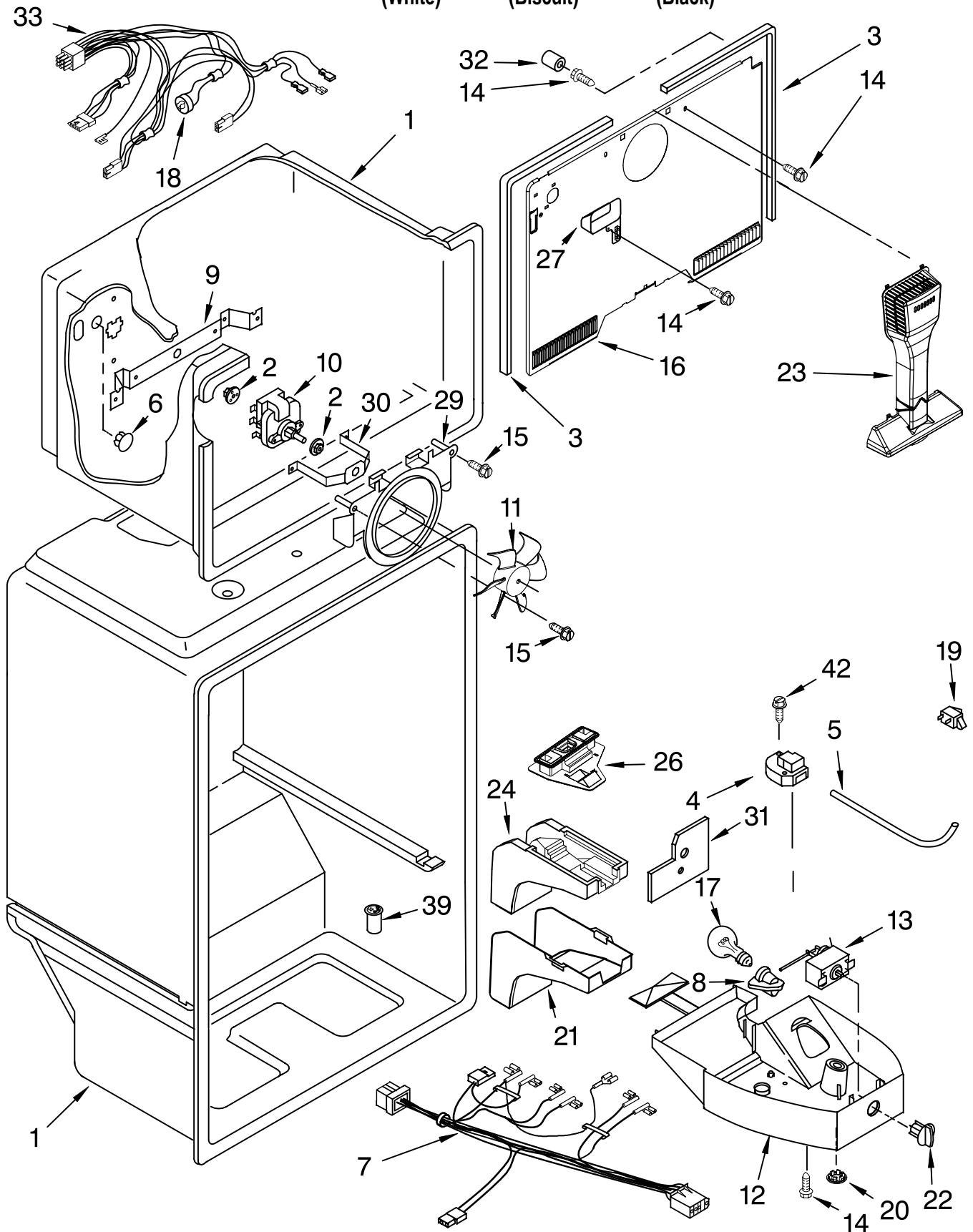
DOOR PARTS

For Models: ET8WTKXKQ08, ET8WTKXKT08, ET8WTKXKB08
(White) (Biscuit) (Black)

Illus. No.	Part No.	DESCRIPTION	Illus. No.	Part No.	DESCRIPTION	Illus. No.	Part No.	DESCRIPTION
1		Refrigerator Door (Includes Illus. 2,3,9 & 11)	12		Cover, Screw	23		Door Gasket, Magnetic
	2183948	White		2202819W	White		2214966	Mist Beige
	2205285	Biscuit		2202819T	Biscuit		2214968	Black
	2213386	Black		2202819B	Black	25	2195943	Trim, Door Shelf
2	939101	Screw Anchor	13	2262218	Nameplate	26	2189202	Bracket, Door Stop (2)
3	2183198	Tap Plate	15	2201052	Trim, Door	27	488921	Screw
5		Handle, Refrigerator	16	2180027	Trim, Door Shelf	28		Hole Plug Hinge (2)
	2202807W	White	17	8281206	Screw		2212648	White
	2202807T	Biscuit	18	2201051	Trim, Door		2212649	Biscuit
	2202807B	Black	19		Freezer Door (Includes Illus. 3,11 & 23)		2212651	Black
6	489357	Screw		2182487	White	29	2156007	Plug, Trim (4)
8	8281146	Screw		2205279	Biscuit	30	2156006	Plug, Trim (4)
9		Door Gasket, Magnetic	20	2200710	Black	31	2218113	Compartment Door
	2202874	Mist Beige			Hole Plug, Handle (1)	32	2195915	Plug, Trim
	2202881	Black		2189000	White	33		Handle, Freezer
11	2183003	Thimble		2200936	Biscuit		2202806W	White
				2189009	Black		2202806T	Biscuit
							2202806B	Black
						37	2201050	Trim, Door (2)
						41	2156003	Endcap (4)
						42	2195949	Trim, Door

LINER PARTS

For Models: ET8WTKXKQ08, ET8WTKXKT08, ET8WTKXKB08
(White) (Biscuit) (Black)



FOR ORDERING INFORMATION REFER TO PARTS PRICE LIST

LINER PARTS

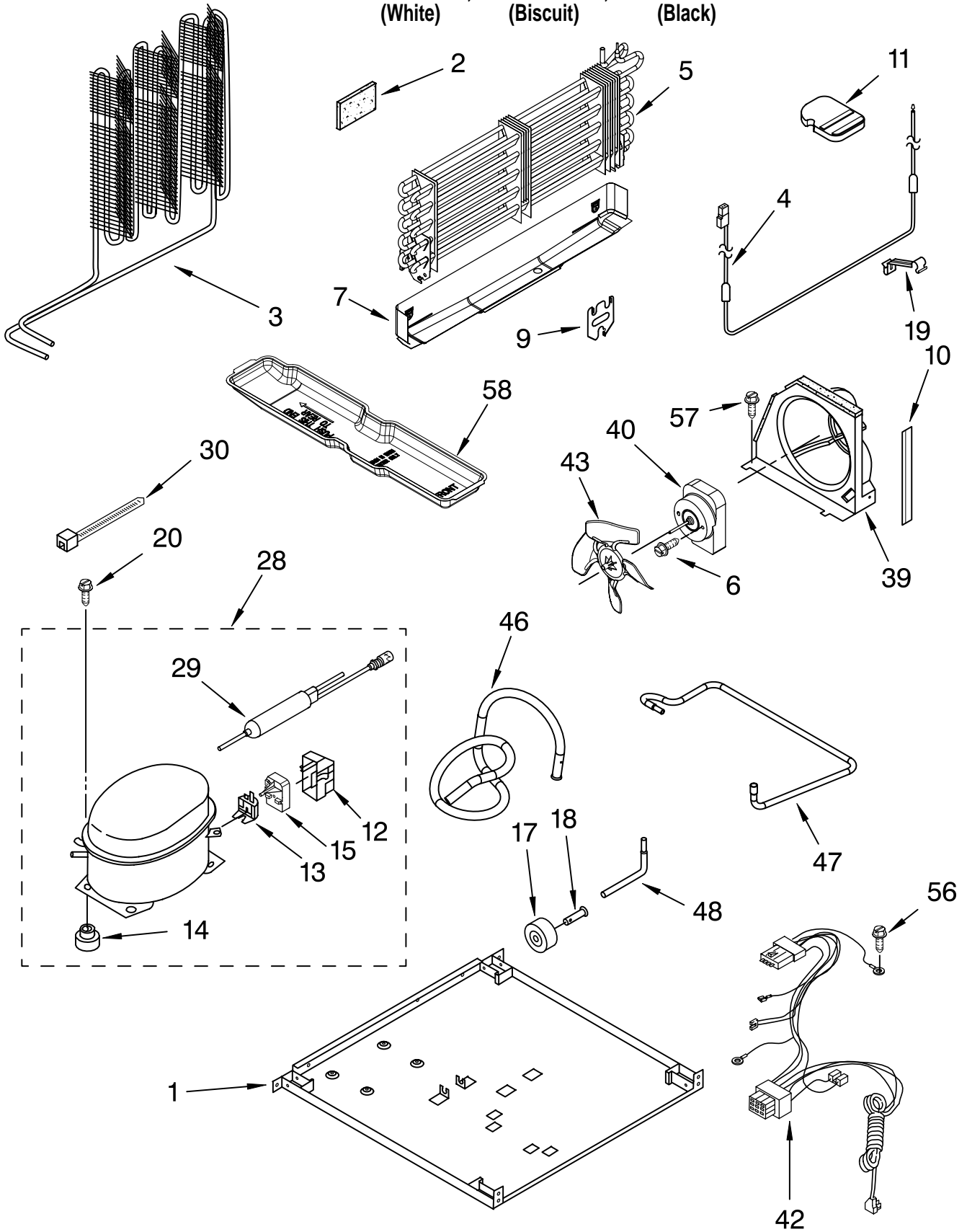
For Models: ET8WTKXKQ08, ET8WTKXKT08, ET8WTKXKB08
(White) (Biscuit) (Black)

Illus. No.	Part No.	DESCRIPTION
1		Liner (Not A Serviceable Part)
2	2197380	Grommet (2)
3	2254359	Gasket, Evaporator Cover (2)
4	2188376	Defrost Timer
5	2204640	Thermostat Tube Barrier
6	941839	Hole Plug
7	2187885	Wire Assy. Control Box
8	2162085	Socket, Light (2)
9	2214976	Bracket Evap. Fan, Rear
10	2214986	Fan Motor
11	2163777	Fan Blade
12	2218381	Control Box
13	2225460	Thermostat Assembly
14	489478	Screw
15	693995	Screw
16	2254261	Cover, Evaporator
17	2160708	Light Bulb
18	2221677	Defrost, BI-Metal
19	1118894	Rocker Arm Switch
20	940014	Hole Plug, Control Box
21	2176281	Cover, Air Diffuser
22	2202885	Knob, Thermostat
23	2254354	Air Tower
24	2189452	Air Diffuser, Bottom
26	2210390	Air Separator Assembly
27	2205003	Cover, Hole
29	2218696	Bracket, Fan Motor
30	2214979	Bracket Evap. Fan, Front
31	2204639	Shield, Heat
32	487996	Cap
33	2187686	Wire Assembly, Freezer Compartment (Includes Illus. 18)
39	2171931	Release Valve
42	98129	Screw

FOR ORDERING INFORMATION REFER TO PARTS PRICE LIST

UNIT PARTS

For Models: ET8WTKXKQ08, ET8WTKXKT08, ET8WTKXKB08
(White) (Biscuit) (Black)



FOR ORDERING INFORMATION REFER TO PARTS PRICE LIST

UNIT PARTS

For Models: ET8WTKXKQ08, ET8WTKXKT08, ET8WTKXKB08
(White) (Biscuit) (Black)

Illus. No.	Part No.	DESCRIPTION	Illus. No.	Part No.	DESCRIPTION	Illus. No.	Part No.	DESCRIPTION														
1	2225597	Plate, Unit Mounting	15	2258450	Start-Relay (Production Compressor Only)	<hr/> Following Parts Not Illustrated and Optional Parts Not Included <hr/> <table style="margin-left: auto; margin-right: auto;"> <tr> <td>978025</td> <td>Valve, Access (1/4")</td> </tr> <tr> <td>978026</td> <td>Valve, Access (5/16")</td> </tr> <tr> <td>978027</td> <td>Valve, Access (3/8")</td> </tr> <tr> <td>978028</td> <td>Valve, Access (1/2")</td> </tr> <tr> <td>978029</td> <td>Valve, Access (5/8")</td> </tr> <tr> <td>978030</td> <td>Valve, Access (3/4")</td> </tr> <tr> <td>876764</td> <td>Valve, Access (3/16")</td> </tr> </table> <hr/> REFRIGERANT CHARGE <hr/> 3.75 Ozs. (R134A)			978025	Valve, Access (1/4")	978026	Valve, Access (5/16")	978027	Valve, Access (3/8")	978028	Valve, Access (1/2")	978029	Valve, Access (5/8")	978030	Valve, Access (3/4")	876764	Valve, Access (3/16")
978025	Valve, Access (1/4")																					
978026	Valve, Access (5/16")																					
978027	Valve, Access (3/8")																					
978028	Valve, Access (1/2")																					
978029	Valve, Access (5/8")																					
978030	Valve, Access (3/4")																					
876764	Valve, Access (3/16")																					
2	2169104	Insulation, Sound Dampening	17	2150304	Roller (2)																	
3	2214960	Condenser	18	2221797	Rivet																	
4	2176300	Heater, Defrost	19	2182338	Clip, Heater																	
5	2254250	Evaporator Assy.	20	489373	Screw																	
6	8533859	Screw	28	2225647	Compressor (Includes Items 12,13,14 & 29) (Also Order 482801 Installation Kit & 876765 Tube Kit)																	
7	2254294	Drain Pan	29	2199167	Production Drier																	
9	2176301	Bracket, Heater	30	4387019	Service Clamp																	
10	2300638	Extension, Air Baffle	39	2155774	Air Baffle																	
11	2201184	Support Block	40	2302249	Motor, Condenser																	
12	2162358	Production Cover	42	2188874	Wire Assy. Unit																	
	4387731	Service (Includes Relay)	43	2187764	Fan Blade																	
13	2302290	Production Overload	46	2225834	Tube, Discharge																	
	4387938	Service (Includes Relay)	47	2205294	Tube, Suction																	
14	1100826	Production Grommet (4)	48	2212848	Tube, Process																	
	4387558	Service	56	488500	Screw																	
			57	3400518	Screw																	
			58	2300635	Evaporator Tray																	

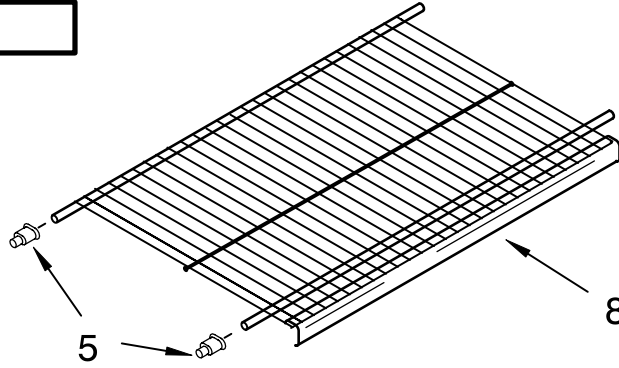


FOR ORDERING INFORMATION REFER TO PARTS PRICE LIST

SHELF PARTS

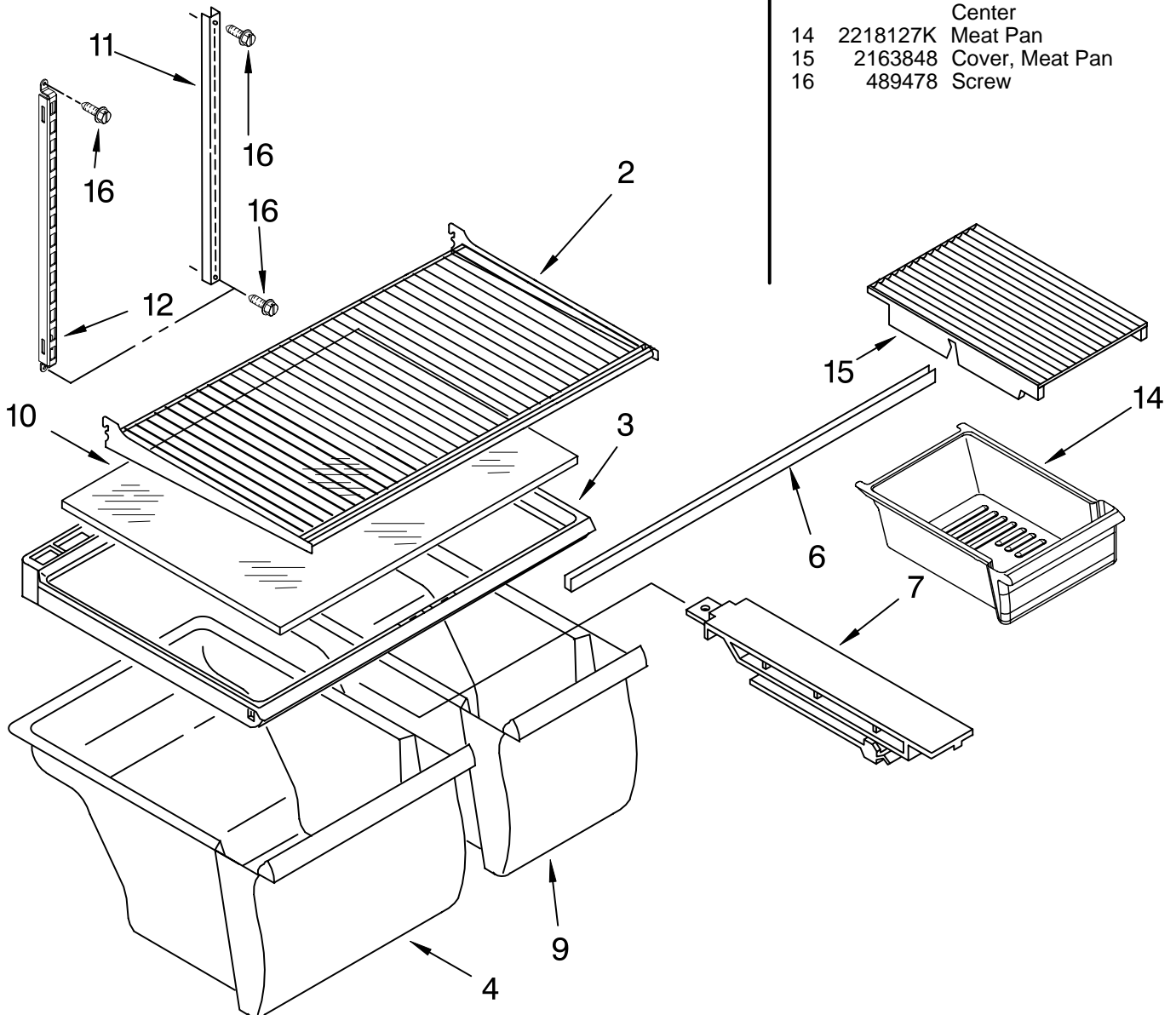
For Models: ET8WTKXKQ08, ET8WTKXKT08, ET8WTKXKB08
(White) (Biscuit) (Black)

FREEZER



Illus. No.	Part No.	DESCRIPTION
2	2163856	Shelf (2)
3	2221752	Cover, Crisper
4	2218124	Pan, Crisper
5	2163762	Cup, Shelf Mounting
6	2172541	Support, Crisper Cover
7	2163835	Track, Crisper
8	2189453	Shelf
9	2218123	Pan, Crisper
10	2221693	Insert, Crisper Cover
11	2210522	Shelf Ladder (2)
12	2300520	Shelf Ladder, Center
14	2218127K	Meat Pan
15	2163848	Cover, Meat Pan
16	489478	Screw

REFRIGERATOR



FOR ORDERING INFORMATION REFER TO PARTS PRICE LIST

OPTIONAL PARTS

For Models: ET8WTKXKQ08, ET8WTKXKT08, ET8WTKXKB08
(White) (Biscuit) (Black)

Illus. No.	Part No.	DESCRIPTION	Illus. No.	Part No.	DESCRIPTION	Illus. No.	Part No.	DESCRIPTION
Parts Not Illustrated and Optional Parts (Not Included)			Customer Touch-Up Material			ICE MAKER FIELD INSTALLABLE		
	978941	Insulation, Fiberglass (63-1/2" x 35-1/2" x 2-5/8")		*350942	Primer, White (12 Oz. Spray Can)		2155469	ECKMF94
	212643	Sealer, Gum (4 Feet)		*350939	Enamel, Black (12 Oz. Spray Can)			
	479502	Tape, Vinyl (3/4" x 108")		*350930	Enamel, White (12 Oz. Spray Can)			
	876305	Kit, Insulation (14 Pcs. 3" x 24" x 48")		*350956	Enamel, Almond (12 Oz. Spray Can)			
	876370	Kit, Insulation (2 Pcs. 3" x 24" x 48")		72017	Brush Touch-Up Kit (White)			
	876029	Kit, Foam Slab (30" x 32-1/2" x 1-1/2")		72032	Brush Touch-Up Kit (Black)			
	505587	Sealer, Mastic (1 Qt.)		72107	Brush Touch-Up Kit (Almond)			
	511873	Touch-Up, White Porcelain (2 Oz.)	Refinishing Material					
	542638	Grease, Silicone (1/2 Oz.)		799340	Enamel, Black (1 Qt. Uncut)			
	542639	Cement, Alumilastic (1-1/4 Oz.)		799344	Enamel, White (1 Qt. Uncut)			
	606755	Bag, Insulation (36-5/8" x 46")		978883	Enamel, Almond (1 Qt. Uncut)			
	799833	Kit, Evaporator Repair (Aluminum Epoxy)		833938	Kit, Terminal Connector			
	799832	Kit, Porcelain Repair (White)	*Important: The spray paint is not to be used where the paint may make contact with the door gaskets.					
	503695	Cork Sealer (1/4 Pound)						
			TORX SCREW WRENCH					
							1117510	Torx Key