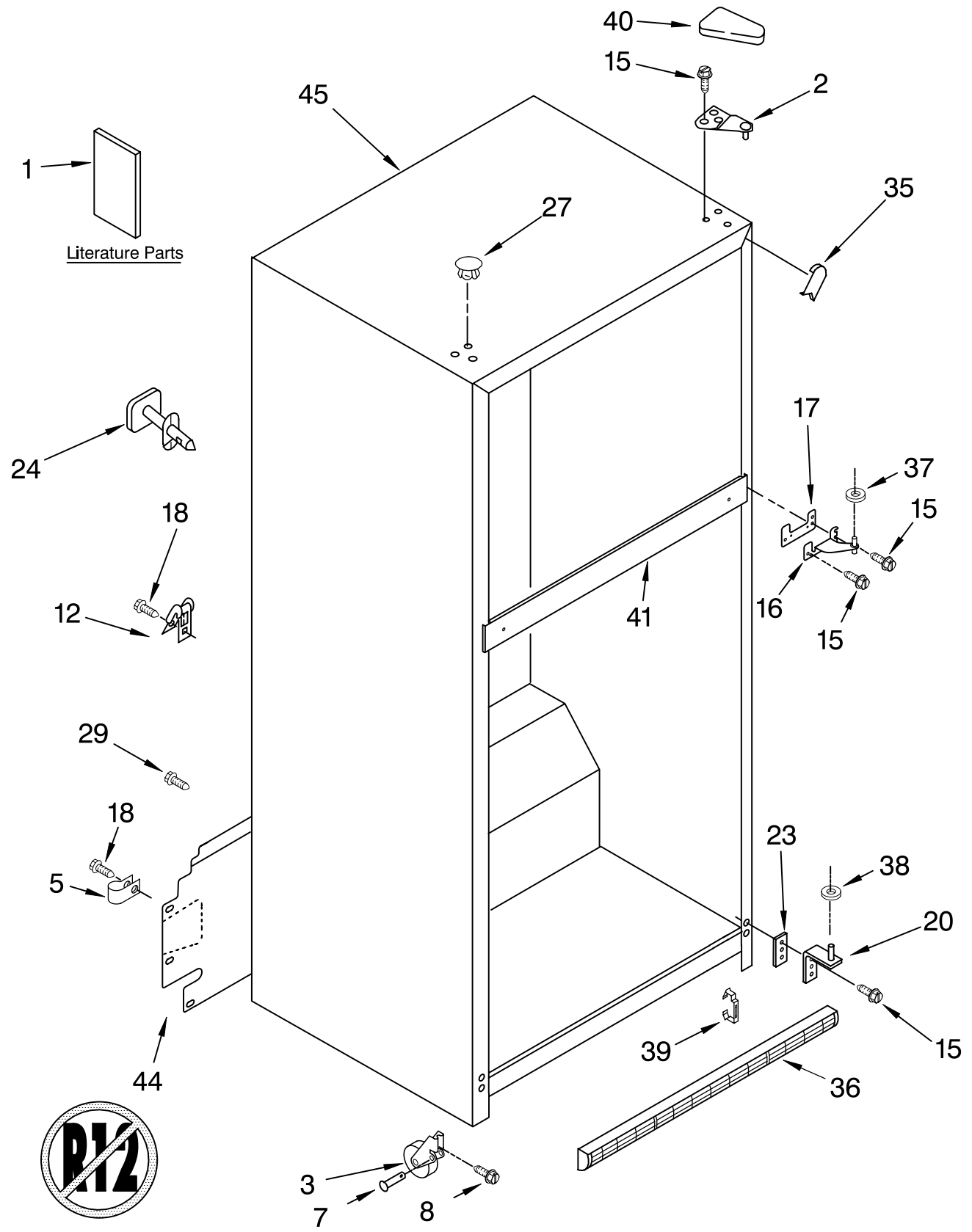




CABINET PARTS

REFRIGERATOR

For Models: ET8WTKXKQ03, ET8WTKXKT03, ET8WTKXKB03
(White) (Biscuit) (Black)



FOR ORDERING INFORMATION REFER TO PARTS PRICE LIST

CABINET PARTS

For Models: ET8WTKXKQ03, ET8WTKXKT03, ET8WTKXKB03
(White) (Biscuit) (Black)

Illus. No.	Part No.	DESCRIPTION
1		Literature Parts
	LIT2225759	Service & Wiring Sheet
	LIT2225668	Energy Label
	LIT2225411	Use & Care Guide
	LIT2225413	Customer Instructions

Following May Be Purchased

DO-IT-YOURSELF REPAIR MANUALS

	LIT677969	Do-It-Yourself Manual, Ref./Fzr.
2	2189410	Hinge (Top)
3	2166108	Roller, Front (2)
5	489385	Clamp, Tube (Water Supply Line)
7	2179826	Rivet
8	3400504	Screw
12	549193	Clamp, Cord
15	489497	Screw
16	2183972	Hinge, Center
17	2183854	Shim, Hinge Center
18	8281265	Screw
20	2189194	Hinge Butt
23	2172743	Shim, Bottom Hinge
24		Fitting, Water Tube (NOT SERVICED)
27		Hole Plug (6)
	2201012	White
	2200924	Biscuit
	2183998	Black
29	8281206	Screw
35		Corner Filler (2)
	2201014	White
	2200926	Biscuit
	2201017	Black
36		Grille
	2254318	White
	2254321	Biscuit
	2254320	Black
37	489341	Washer
38	487576	Washer
39	2189356	Clip, Grille
40		Cover, Hinge
	2213360	White
	2213364	Biscuit
	2213363	Black
41		Rail, Center (NOT SERVICED)
44	2221775	Cover, Unit
45		Cabinet (Not a Serviceable Part)

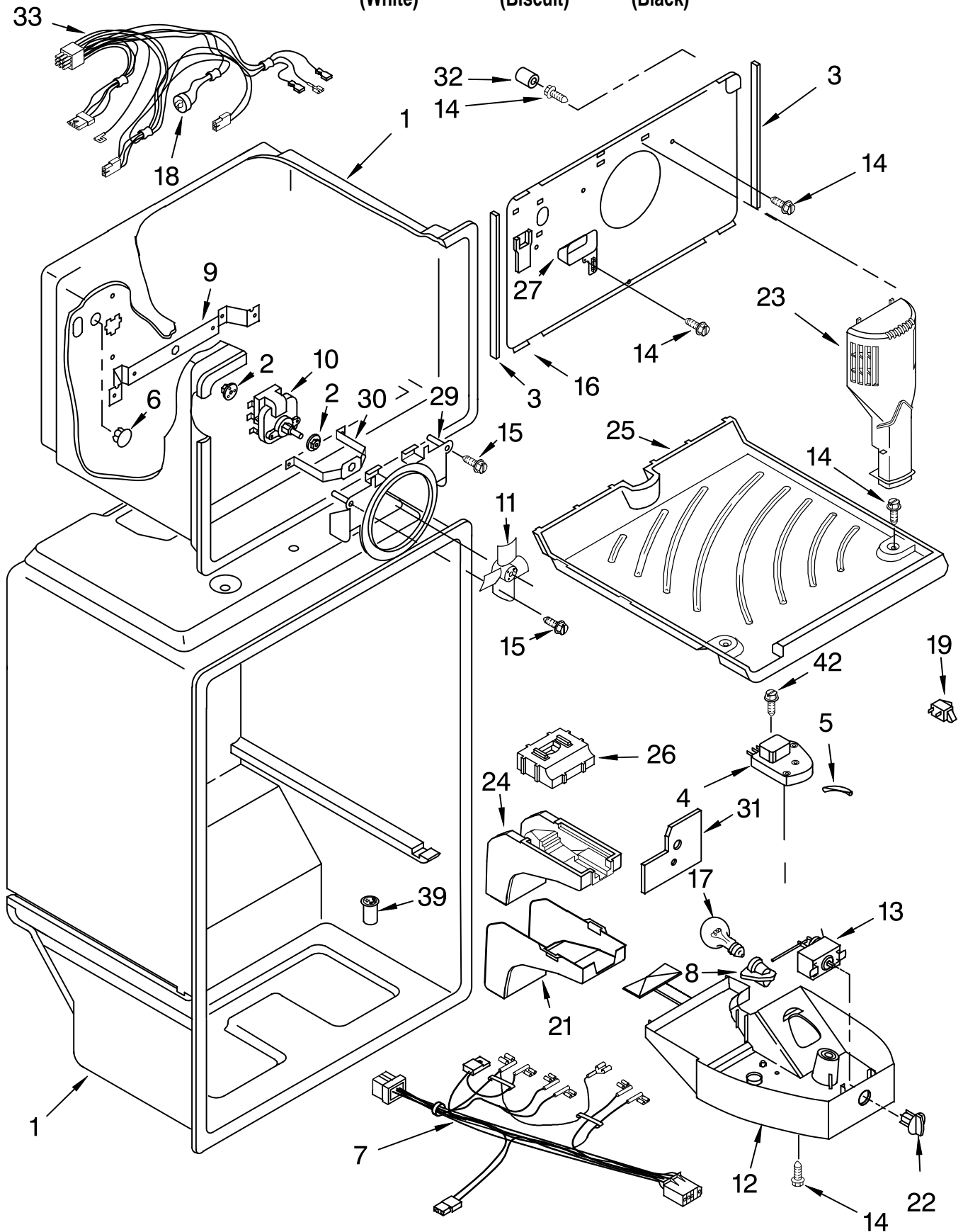
DOOR PARTS

For Models: ET8WTKXKQ03, ET8WTKXKT03, ET8WTKXKB03
(White) (Biscuit) (Black)

Illus. No.	Part No.	DESCRIPTION	Illus. No.	Part No.	DESCRIPTION	Illus. No.	Part No.	DESCRIPTION
1		Refrigerator Door (Includes #9 & #11)	13		Nameplate	25	2195943	Trim, Door Shelf
	2183948	White		2157907	White	26	2189202	Bracket, Door Stop (2)
	2205285	Biscuit		2213233	Biscuit	27	488921	Screw
	2213386	Black		2152334	Black	28		Hole Plug
5		Handle, R.C.	15	2201052	Trim, Door		2212648	White
	2202807W	White	16	2180027	Trim, Door Shelf		2212649	Biscuit
	2202807T	Biscuit	17	8281265	Screw		2212651	Black
	2202807B	Black	18	2201051	Trim, Door	29	2156007	Plug, Trim (4)
6	489357	Screw	19		Freezer Door (Includes #11 & #23)	30	2156006	Plug, Trim (4)
8	8281146	Screw		2182487	White	31	2218113	Compartment Door
9		Door Gasket, Magnetic		2205279	Biscuit	32	2195915	Plug, Trim
	2202874	Mist Beige		2200710	Black	33		Handle, F.C.
	2220881	Black	20		Hole Plug		2202806W	White
11	2183003	Thimble		2189000	White		2202806T	Biscuit
12		Cover, Screw		2200936	Biscuit		2202806B	Black
	2202819W	White		2189009	Black	37	2201050	Trim, Door (2)
	2202819T	Biscuit	23		Door Gasket, Magnetic	41	2156003	Endcap (4)
	2202819B	Black		2214966	Mist Beige	42	2195949	Trim, Door
				2214968	Black			

LINER PARTS

For Models: ET8WTKXKQ03, ET8WTKXKT03, ET8WTKXKB03
(White) (Biscuit) (Black)



FOR ORDERING INFORMATION REFER TO PARTS PRICE LIST

LINER PARTS

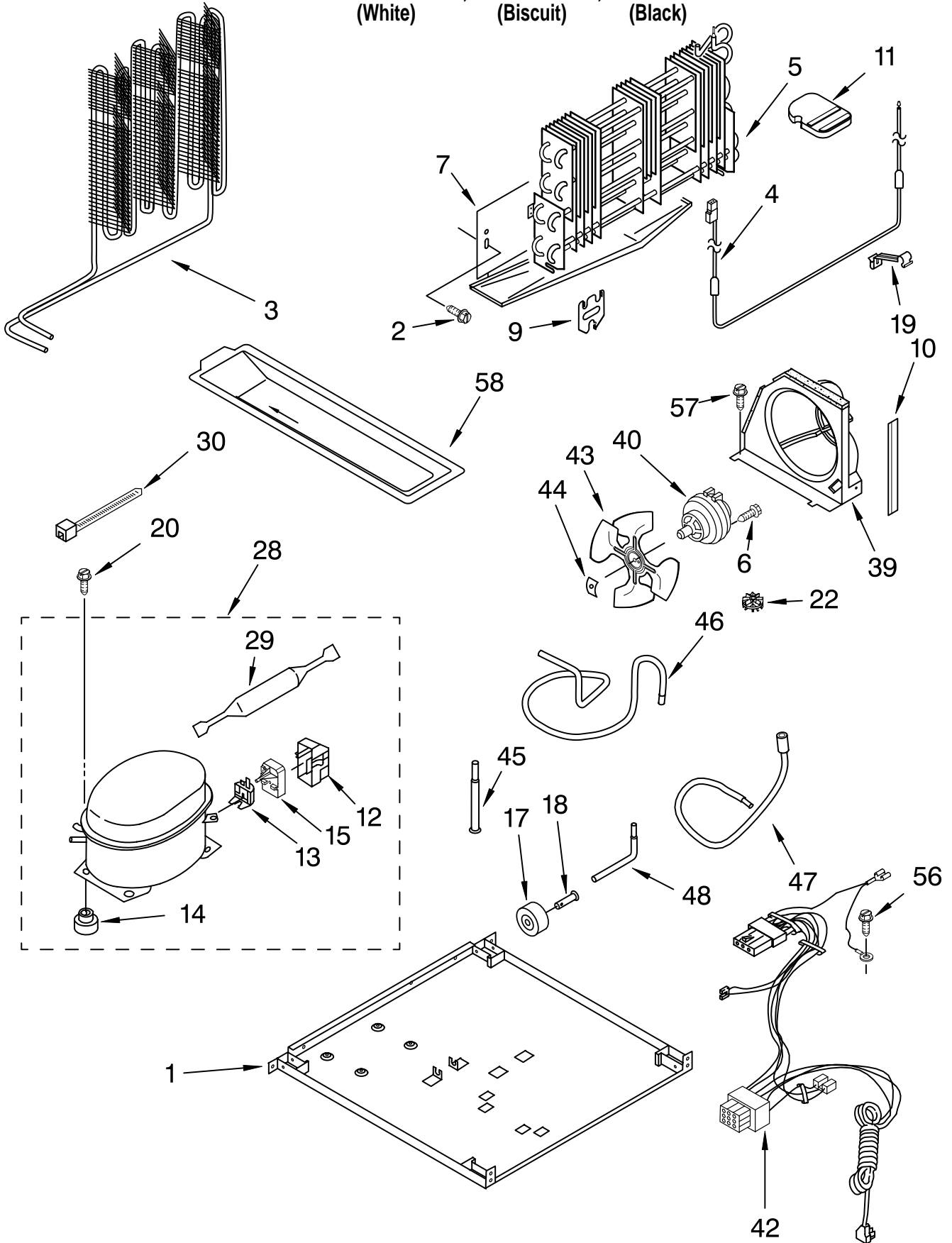
For Models: ET8WTKXKQ03, ET8WTKXKT03, ET8WTKXKB03
(White) (Biscuit) (Black)

Illus. No.	Part No.	DESCRIPTION
1		Liner (Not A Serviceable Part)
2	2197380	Grommet (2)
3	2254359	Gasket, Evaporator Cover (2)
4	2188376	Defrost Timer
5	2204640	Thermostat Tube Barrier
6	941839	Hole Plug
7	2221668	Wire Assy. Control Box
8	2162085	Socket, Light (2)
9	2214976	Bracket Evap. Fan, Rear
10	2214986	Fan Motor
11	2163777	Fan Blade
12	2218381	Control Box
13	2204605	Thermostat Assembly
14	489478	Screw
15	693995	Screw
16	2201170	Cover, Evaporator
17	2160708	Light Bulb
18	2221677	Defrost, BI-Metal
19	1118894	Rocker Arm Switch
21	2176281	Cover, Air Diffuser
22	2202885	Knob, Thermostat
23	2182340	Air Tower
24	2189452	Air Diffuser, Bottom
25	2172565	Freezer Floor
26	2179877	Air Diffuser, Top
27	2205003	Cover, Hole
29	2218696	Bracket, Fan Motor
30	2214979	Bracket Evap. Fan, Front
31	2204639	Shield, Heat
32	487996	Cap
33	2187686	Wire Assembly, Freezer Compartment
39	2171931	Release Valve
42	98129	Screw

FOR ORDERING INFORMATION REFER TO PARTS PRICE LIST

UNIT PARTS

For Models: ET8WTKXKQ03, ET8WTKXKT03, ET8WTKXKB03
(White) (Biscuit) (Black)



FOR ORDERING INFORMATION REFER TO PARTS PRICE LIST

UNIT PARTS

For Models: ET8WTKXKQ03, ET8WTKXKT03, ET8WTKXKB03
(White) (Biscuit) (Black)

Illus. No.	Part No.	DESCRIPTION	Illus. No.	Part No.	DESCRIPTION	Illus. No.	Part No.	DESCRIPTION
1	2205341	Plate, Unit Mounting	17	2150304	Roller (2)			
2	489478	Screw	18	981126	Rivet			
3	2214960	Condenser	19	2182338	Clip, Heater			
4	2176300	Heater, Defrost	20	489373	Screw			
5	2195391	Evaporator Assy.	22	531933	Grommet			
6	489494	Screw	28	2225647	Compressor			
7	2172619	Drain Pan			(Includes Items 12,13,14 & 29)			
9	2176301	Bracket, Heater			(Also Order 482801			
10	2163780	Extension, Air Baffle			Installation Kit & 876765			
11	2201184	Support Block			Tube Kit)			
12	2162358	Cover	29		Drier			
	4387731	Production Service		2199167	Production			
13		Overload		4387019	Service			
	2149959	Production	30	2155774	Clamp			
	4387938	Service (Includes Relay)	39	2198921	Air Baffle			
14		Grommet (4)	40	2188537	Motor, Condenser			
	1100826	Production	42	2187743	Wire Assy. Unit			
	4387558	Service	43	2190685	Fan Blade			
15	2258450	Start Device	44	486692	Nut			
		Combination (Start Relay and Overload for Production Compressor Only)	45	2212603	Tube, Transition			
			46	2205294	Tube, Discharge			
			47	2205293	Tube, Suction			
			48	2212848	Tube, Process			
			56	488500	Screw			
			57	3400518	Screw			
			58	2210451	Evaporator Tray			

Following Parts Not Illustrated and Optional Parts Not Included

- 978025 Valve, Access (1/4")
- 978026 Valve, Access (5/16")
- 978027 Valve, Access (3/8")
- 978028 Valve, Access (1/2")
- 978029 Valve, Access (5/8")
- 978030 Valve, Access (3/4")
- 876764 Valve, Access (3/16")

REFRIGERANT CHARGE

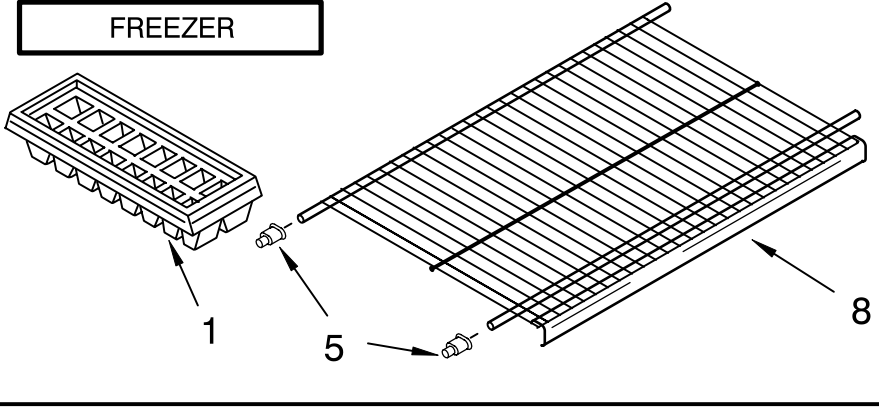
4.00 Ozs.
(R134A)



SHELF PARTS

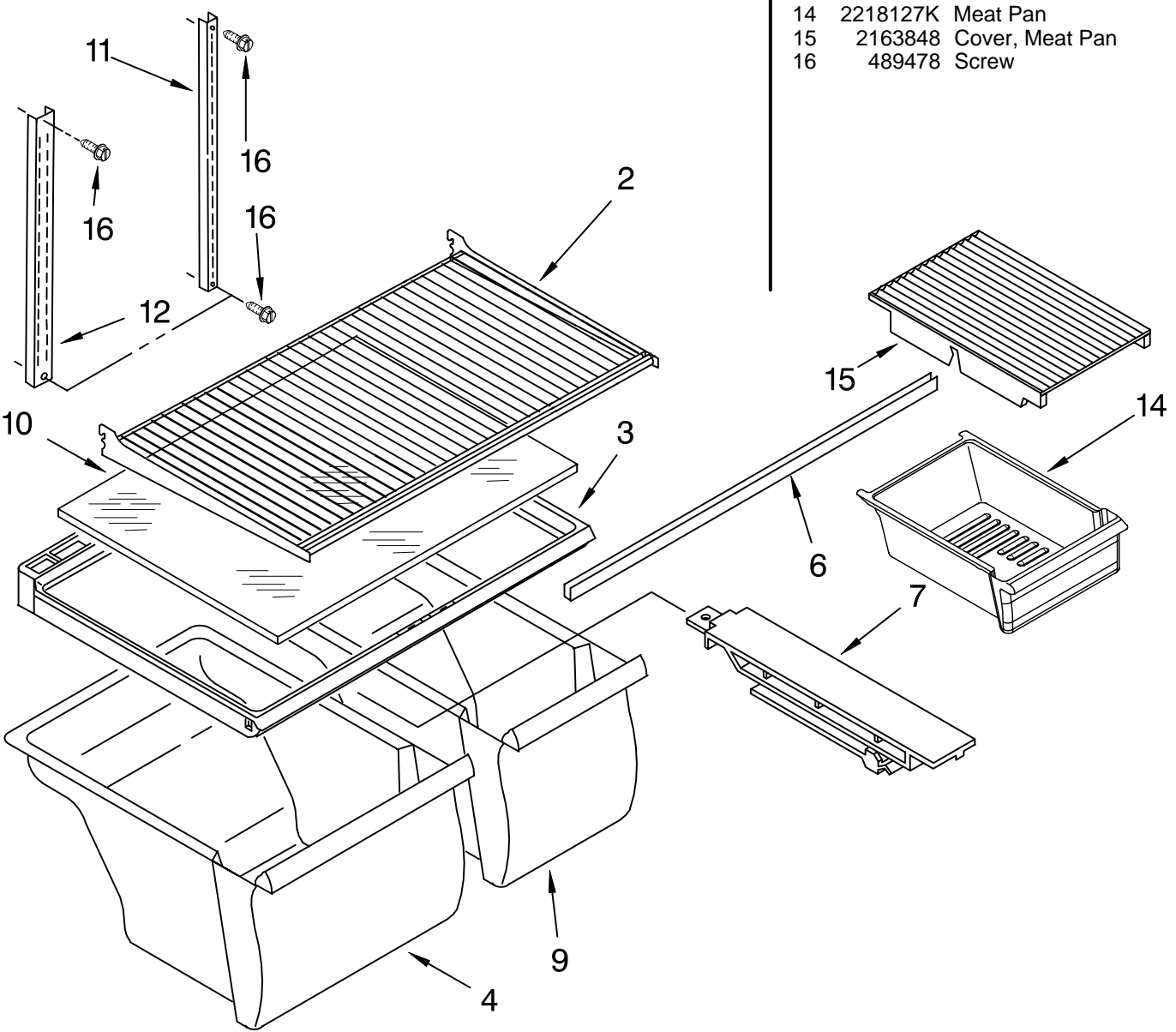
For Models: ET8WTKXKQ03, ET8WTKXKT03, ET8WTKXKB03
(White) (Biscuit) (Black)

FREEZER



Illus. No.	Part No.	DESCRIPTION
1	841180	Ice Tray (2)
2	2163856	Shelf (2)
3	2221752	Cover, Crisper
4	2218124	Pan, Crisper
5	2163762	Cup, Shelf Mounting
6	2172541	Support, Crisper Cover
7	2163835	Track, Crisper
8	2189453	Shelf
9	2218123	Pan, Crisper
10	2221693	Insert, Crisper Cover
11	2210522	Shelf Ladder (2)
12	2202821	Shelf Ladder, Center
14	2218127K	Meat Pan
15	2163848	Cover, Meat Pan
16	489478	Screw

REFRIGERATOR



FOR ORDERING INFORMATION REFER TO PARTS PRICE LIST

