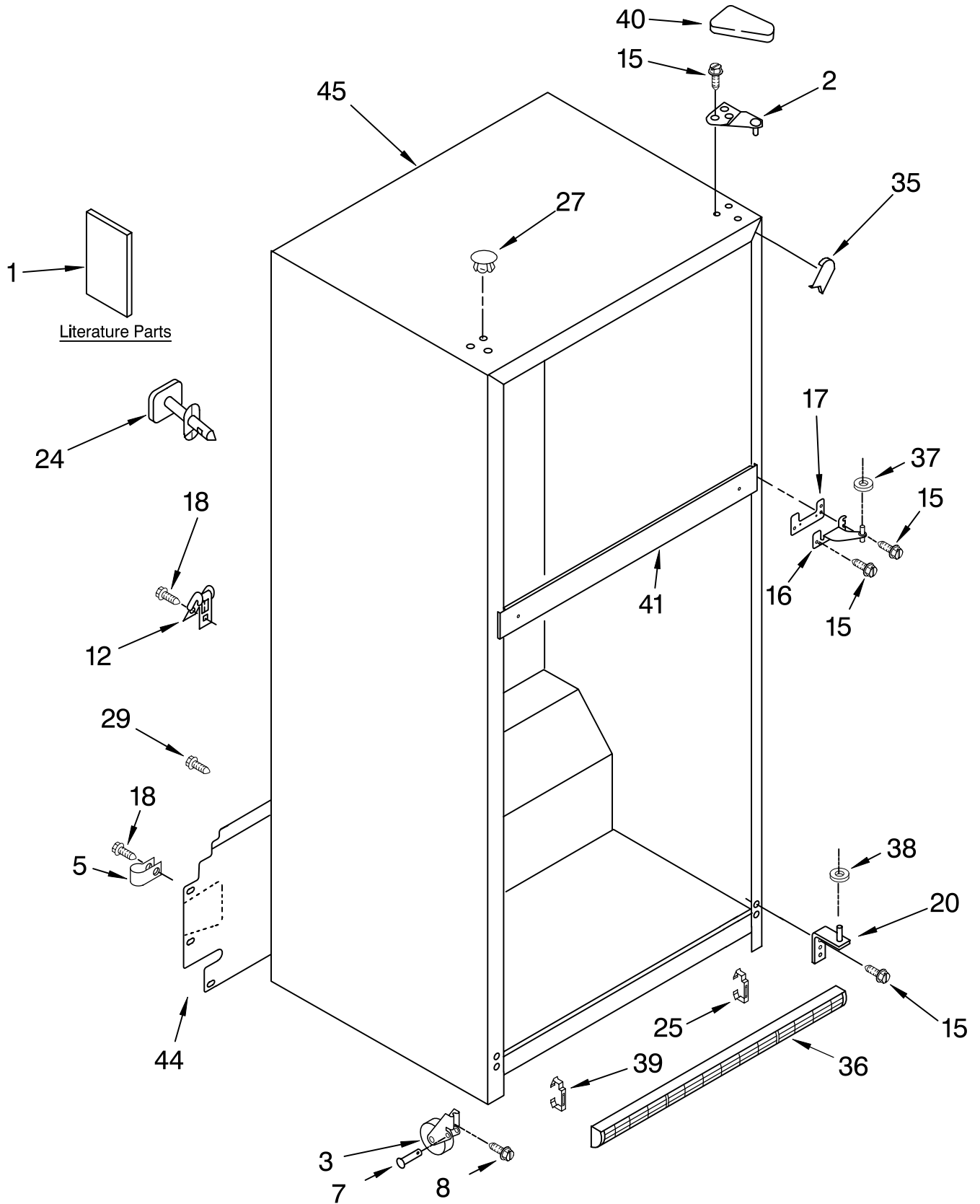




# CABINET PARTS

REFRIGERATOR

For Models: ET8WTKXKQ09, ET8WTKXKT09, ET8WTKXKB09  
(White) (Biscuit) (Black)



FOR ORDERING INFORMATION REFER TO PARTS PRICE LIST

# CABINET PARTS

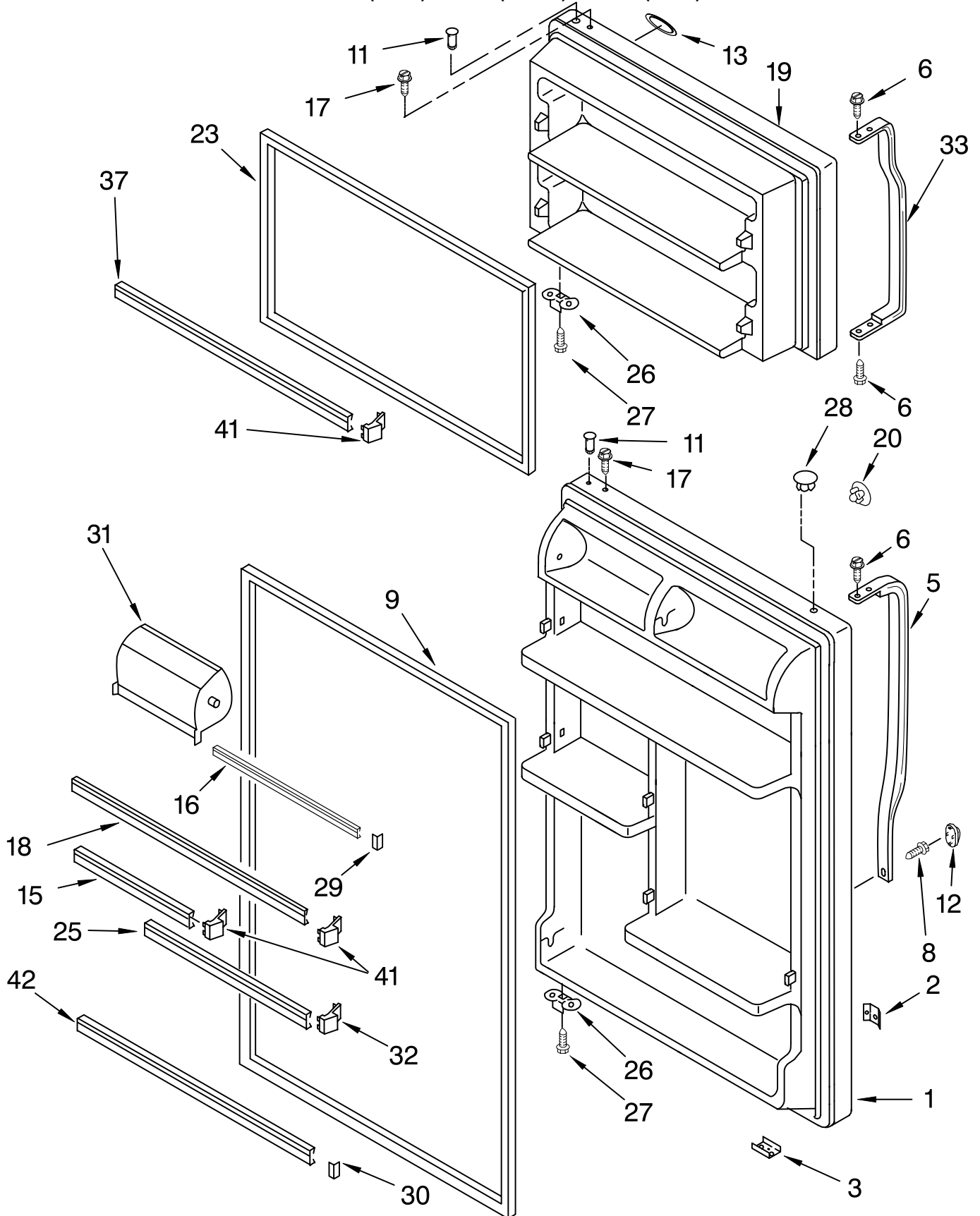
For Models: ET8WTKXKQ09, ET8WTKXKT09, ET8WTKXKB09  
(White) (Biscuit) (Black)

Illus. No.	Part No.	DESCRIPTION	Illus. No.	Part No.	DESCRIPTION	Illus. No.	Part No.	DESCRIPTION
1		Literature Parts	5	489385	Clamp, Tube (Water Supply Line)	35		Corner Filler (2)
	2314273	Service & Wiring Sheet	7	2179826	Rivet		2201014	White
	2302696	Energy Label	8	3400504	Screw		2200926	Biscuit
	2314472	Use & Care Guide	12	549193	Clamp, Cord		2201017	Black
	2225413	Customer Instructions	15	489497	Screw	36		Grille (Includes Illus. 25 & 39)
<b>Following May Be Purchased</b>			16	2183972	Hinge, Center		2254386	White
<b>DO-IT-YOURSELF</b>			17	2183854	Shim, Hinge Center		2254389	Biscuit
<b>REPAIR MANUALS</b>			18	8281265	Screw		2254388	Black
	677969	Do-It-Yourself Manual, Ref./Fzr.	20	2254473	Hinge Butt	37	489341	Washer
2	2189410	Hinge (Top)	24		Fitting, Water Tube (NOT SERVICED)	38	487576	Washer
3	2166108	Roller, Front (2)	25	2254385	Clip, Grille	39	2189356	Clip, Grille
			27		Hole Plug (6)	40		Cover, Hinge
				2201012	White		2213360	White
				2200924	Biscuit		2213364	Biscuit
				2183998	Black		2213363	Black
			29	489427	Screw	41		Rail, Center (NOT SERVICED)
						44	2221775	Cover, Unit
						45		Cabinet (Not a Serviceable Part)

FOR ORDERING INFORMATION REFER TO PARTS PRICE LIST

# DOOR PARTS

For Models: ET8WTKXKQ09, ET8WTKXKT09, ET8WTKXKB09  
(White) (Biscuit) (Black)



FOR ORDERING INFORMATION REFER TO PARTS PRICE LIST

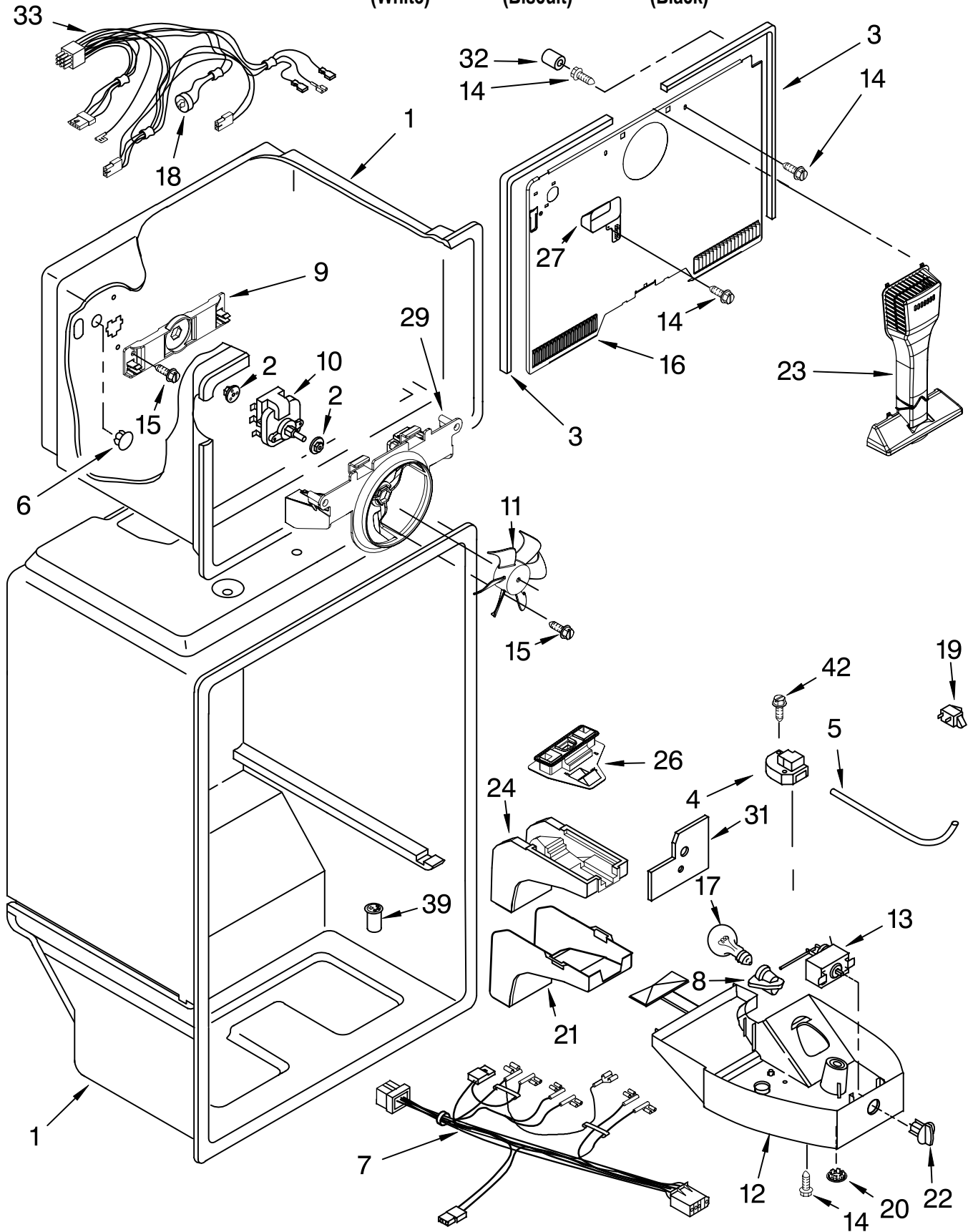
# DOOR PARTS

For Models: ET8WTKXKQ09, ET8WTKXKT09, ET8WTKXKB09  
(White) (Biscuit) (Black)

Illus. No.	Part No.	DESCRIPTION	Illus. No.	Part No.	DESCRIPTION	Illus. No.	Part No.	DESCRIPTION
1		Refrigerator Door (Includes Illus. 2,3,9 & 11)	12		Cover, Screw	25	2195943	Trim, Door Shelf
	2183948	White		2202819W	White	26	2189202	Bracket, Door Stop (2)
	2205285	Biscuit		2202819T	Biscuit	27	488921	Screw
	2213386	Black		2202819B	Black	28		Hole Plug Hinge (2)
2	939101	Screw Anchor	13	2262218	Nameplate		2212648	White
3	2183198	Tap Plate	15	2201052	Trim, Door		2212649	Biscuit
5		Handle, Refrigerator	16	2180027	Trim, Door Shelf		2212651	Black
	2202807W	White	17	8281206	Screw	29	2156007	Plug, Trim (4)
	2202807T	Biscuit	18	2201051	Trim, Door	30	2156006	Plug, Trim (4)
	2202807B	Black	19		Freezer Door (Includes Illus. 3,11 & 23)	31	2218113	Compartment Door
6	489357	Screw		2182487	White	32	2195915	Plug, Trim
8	8281146	Screw		2205279	Biscuit	33		Handle, Freezer
9		Door Gasket, R.C. Magnetic	20	2200710	Black		2202806W	White
	2202874	Mist Beige			Hole Plug, Handle (1)		2202806T	Biscuit
	2202881	Black		2189000	White		2202806B	Black
11	2183003	Thimble		2200936	Biscuit	37	2201050	Trim, Door (2)
				2189009	Black	41	2156003	Endcap (4)
			23		Door Gasket, F.C. Magnetic	42	2195949	Trim, Door
				2214966	Mist Beige			
				2214968	Black			

# LINER PARTS

For Models: ET8WTKXKQ09, ET8WTKXKT09, ET8WTKXKB09  
(White) (Biscuit) (Black)



FOR ORDERING INFORMATION REFER TO PARTS PRICE LIST

# LINER PARTS

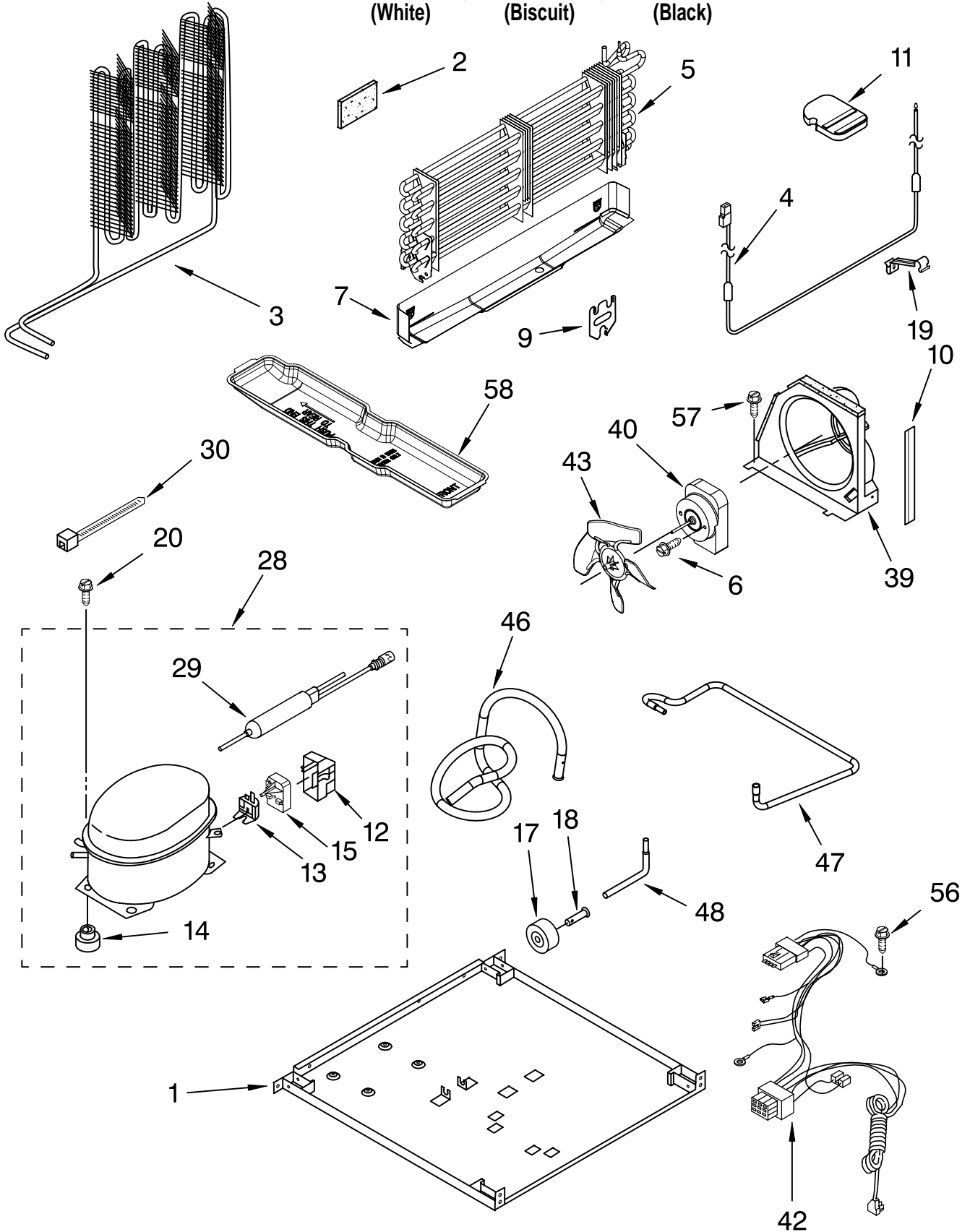
For Models: ET8WTKXKQ09, ET8WTKXKT09, ET8WTKXKB09  
(White) (Biscuit) (Black)

Illus. No.	Part No.	DESCRIPTION
1		Liner (Not A Serviceable Part)
2	2197380	Grommet (2)
3	2254359	Gasket, Evaporator Cover (2)
4	2314156	Defrost Timer
5	2204640	Thermostat Tube Barrier
6	941839	Hole Plug
7	2187885	Wire Assy. Control Box
8	2162085	Socket, Light (2)
9	2254454	Bracket Evap. Fan, Rear
10	2214986	Fan Motor
11	2163777	Fan Blade
12	2218381	Control Box
13	2225460	Thermostat Assembly
14	489478	Screw
15	488208	Screw
16	2254261	Cover, Evaporator
17	2160708	Light Bulb
18	2314158	Defrost, BI-Metal
19	1118894	Rocker Arm Switch
20	940014	Hole Plug, Control Box
21	2176281	Cover, Air Diffuser
22	2202885	Knob, Thermostat
23	2254354	Air Tower
24	2189452	Air Diffuser, Bottom
26	2210390	Air Separator Assembly
27	2205003	Cover, Hole
29	2254453	Bracket, Fan Motor
31	2204639	Shield, Heat
32	487996	Cap
33	2310041	Wire Assembly, Freezer Compartment (Includes Illus. 18)
39	2171931	Release Valve
42	98129	Screw

FOR ORDERING INFORMATION REFER TO PARTS PRICE LIST

# UNIT PARTS

For Models: ET8WTKXKQ09, ET8WTKXKT09, ET8WTKXKB09  
(White) (Biscuit) (Black)



FOR ORDERING INFORMATION REFER TO PARTS PRICE LIST

# UNIT PARTS

For Models: ET8WTKXKQ09, ET8WTKXKT09, ET8WTKXKB09  
(White) (Biscuit) (Black)

Illus. No.	Part No.	DESCRIPTION	Illus. No.	Part No.	DESCRIPTION	Illus. No.	Part No.	DESCRIPTION														
1	2225597	Plate, Unit Mounting	17	2150304	Roller (2)	<hr/> Following Parts Not Illustrated and Optional Parts Not Included <hr/> <table style="margin-left: auto; margin-right: auto;"> <tr> <td>978025</td> <td>Valve, Access (1/4")</td> </tr> <tr> <td>978026</td> <td>Valve, Access (5/16")</td> </tr> <tr> <td>978027</td> <td>Valve, Access (3/8")</td> </tr> <tr> <td>978028</td> <td>Valve, Access (1/2")</td> </tr> <tr> <td>978029</td> <td>Valve, Access (5/8")</td> </tr> <tr> <td>978030</td> <td>Valve, Access (3/4")</td> </tr> <tr> <td>876764</td> <td>Valve, Access (3/16")</td> </tr> </table> <hr/> <b>REFRIGERANT CHARGE</b> <hr/> 3.75 Ozs. (R134A)			978025	Valve, Access (1/4")	978026	Valve, Access (5/16")	978027	Valve, Access (3/8")	978028	Valve, Access (1/2")	978029	Valve, Access (5/8")	978030	Valve, Access (3/4")	876764	Valve, Access (3/16")
978025	Valve, Access (1/4")																					
978026	Valve, Access (5/16")																					
978027	Valve, Access (3/8")																					
978028	Valve, Access (1/2")																					
978029	Valve, Access (5/8")																					
978030	Valve, Access (3/4")																					
876764	Valve, Access (3/16")																					
2	2169104	Insullation, Sound Dampening	18	2221797	Rivet																	
3	2214960	Condenser	19	2182338	Clip, Heater																	
4	2315531	Heater, Defrost	20	489373	Screw																	
5	2254250	Evaporator Assy.	28	2225647	Compressor (Includes Items 12,13,14 & 29)																	
6	8533859	Screw			(Also Order 482801)																	
7	2254294	Drain Pan			Installation Kit & 876765																	
9	2176301	Bracket, Heater			Tube Kit)																	
10	2300638	Extension, Air Baffle	29		Drier																	
11	2201184	Support Block		2199167	Production																	
12		Cover		4387019	Service																	
	2162358	Production	30	2155774	Clamp																	
	4387731	Service	39	2302249	Air Baffle																	
13		Overload	40	2188874	Motor, Condenser																	
	2302290	Production	42	2187764	Wire Assy. Unit																	
	4387938	Service (Includes Relay)	43	2225834	Fan Blade																	
14		Grommet (4)	46	2205294	Tube, Discharge																	
	1100826	Production	47	2205293	Tube, Suction																	
	4387558	Service	48	2212848	Tube, Process																	
15	2258450	Start-Relay (Production Compressor Only)	56	488500	Screw																	
			57	3400518	Screw																	
			58	2300635	Evaporator Tray																	



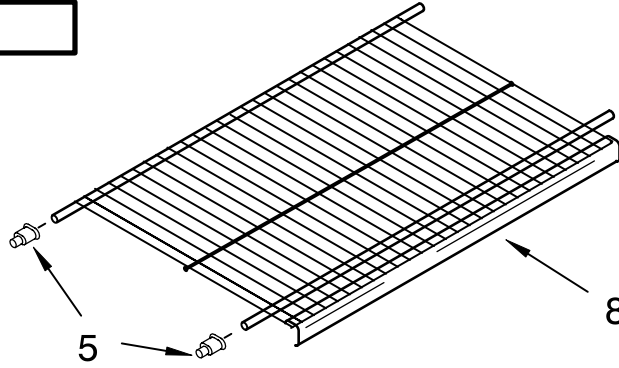
FOR ORDERING INFORMATION REFER TO PARTS PRICE LIST



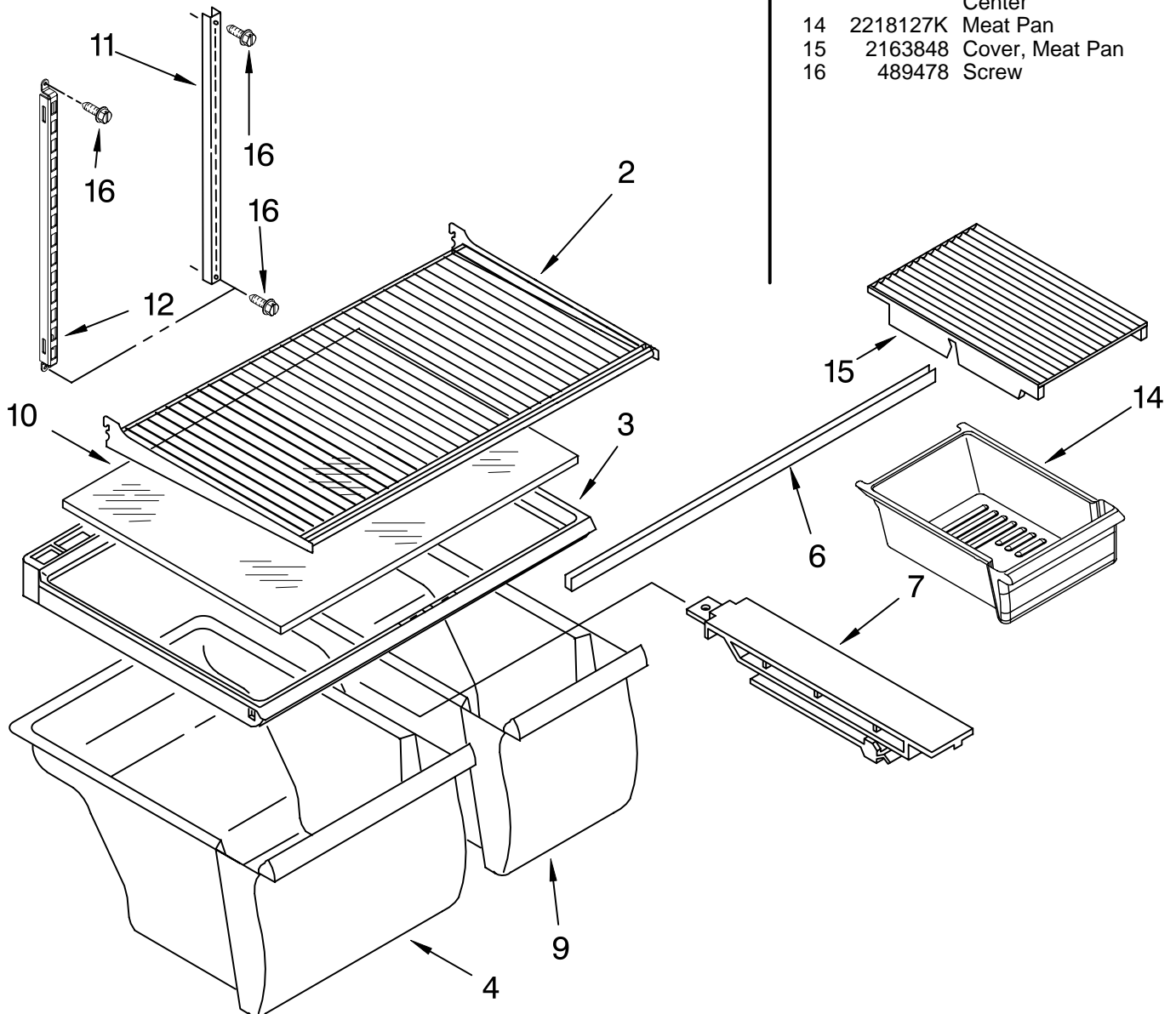
# SHELF PARTS

For Models: ET8WTKXKQ09, ET8WTKXKT09, ET8WTKXKB09  
(White) (Biscuit) (Black)

## FREEZER



## REFRIGERATOR



Illus. No.	Part No.	DESCRIPTION
2	2163856	Shelf (2)
3	2221752	Cover, Crisper
4	2218124	Pan, Crisper
5	2163762	Cup, Shelf Mounting
6	2172541	Support, Crisper Cover
7	2163835	Track, Crisper
8	2189453	Shelf
9	2218123	Pan, Crisper
10	2221693	Insert, Crisper Cover
11	2210522	Shelf Ladder (2)
12	2300520	Shelf Ladder, Center
14	2218127K	Meat Pan
15	2163848	Cover, Meat Pan
16	489478	Screw

FOR ORDERING INFORMATION REFER TO PARTS PRICE LIST

# OPTIONAL PARTS

For Models: ET8WTKXKQ09, ET8WTKXKT09, ET8WTKXKB09  
(White) (Biscuit) (Black)

Illus. No.	Part No.	DESCRIPTION
Parts Not Illustrated and Optional Parts (Not Included)		
978941		Insulation, Fiberglass (63-1/2" x 35-1/2" x 2-5/8")
212643		Sealer, Gum (4 Feet)
479502		Tape, Vinyl (3/4" x 108")
876305		Kit, Insulation (14 Pcs. 3" x 24" x 48")
876370		Kit, Insulation (2 Pcs. 3" x 24" x 48")
876029		Kit, Foam Slab (30" x 32-1/2" x 1-1/2")
505587		Sealer, Mastic (1 Qt.)
511873		Touch-Up, White Porcelain (2 Oz.)
542638		Grease, Silicone (1/2 Oz.)
542639		Cement, Alumilastic (1-1/4 Oz.)
606755		Bag, Insulation (36-5/8" x 46")
799833		Kit, Evaporator Repair (Aluminum Epoxy)
799832		Kit, Porcelain Repair (White)
503695		Cork Sealer (1/4 Pound)

Illus. No.	Part No.	DESCRIPTION
<b>Customer Touch-Up Material</b>		
*350942		Primer, White (12 Oz. Spray Can)
*350939		Enamel, Black (12 Oz. Spray Can)
*350930		Enamel, White (12 Oz. Spray Can)
*350956		Enamel, Almond (12 Oz. Spray Can)
72017		Brush Touch-Up Kit (White)
72032		Brush Touch-Up Kit (Black)
72107		Brush Touch-Up Kit (Almond)
<b>Refinishing Material</b>		
799340		Enamel, Black (1 Qt. Uncut)
799344		Enamel, White (1 Qt. Uncut)
978883		Enamel, Almond (1 Qt. Uncut)
833938		Kit, Terminal Connector
<p><b>*Important:</b> The spray paint is not to be used where the paint may make contact with the door gaskets.</p>		

Illus. No.	Part No.	DESCRIPTION
<b>ICE MAKER FIELD INSTALLABLE</b>		
	2155469	ECKMF94
<b>TORX SCREW WRENCH</b>		
	1117510	Torx Key