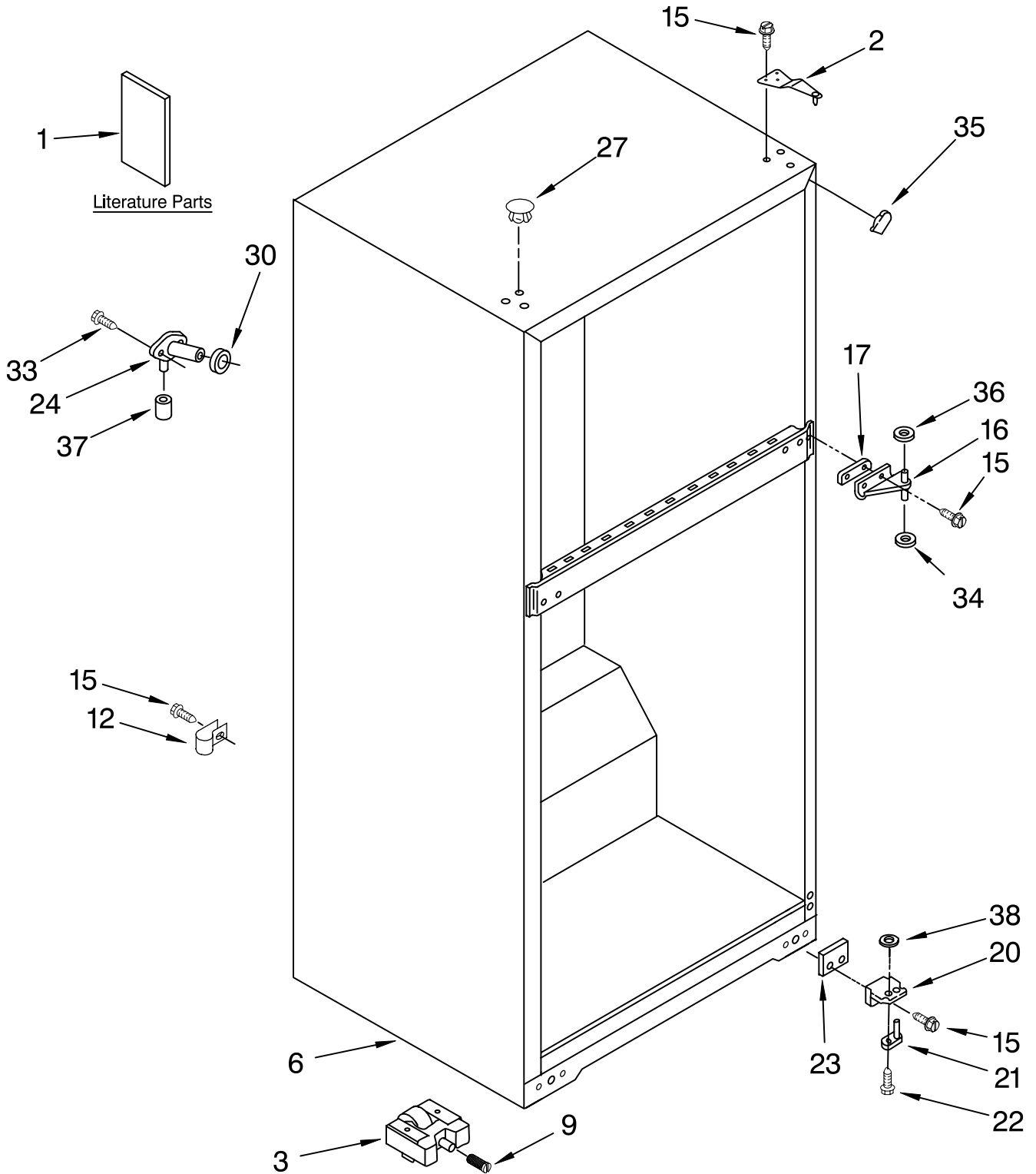




# CABINET PARTS

For Models: ET8GTKXKQ02, ET8GTKXKT02  
(White) (Biscuit)

REFRIGERATOR



FOR ORDERING INFORMATION REFER TO PARTS PRICE LIST

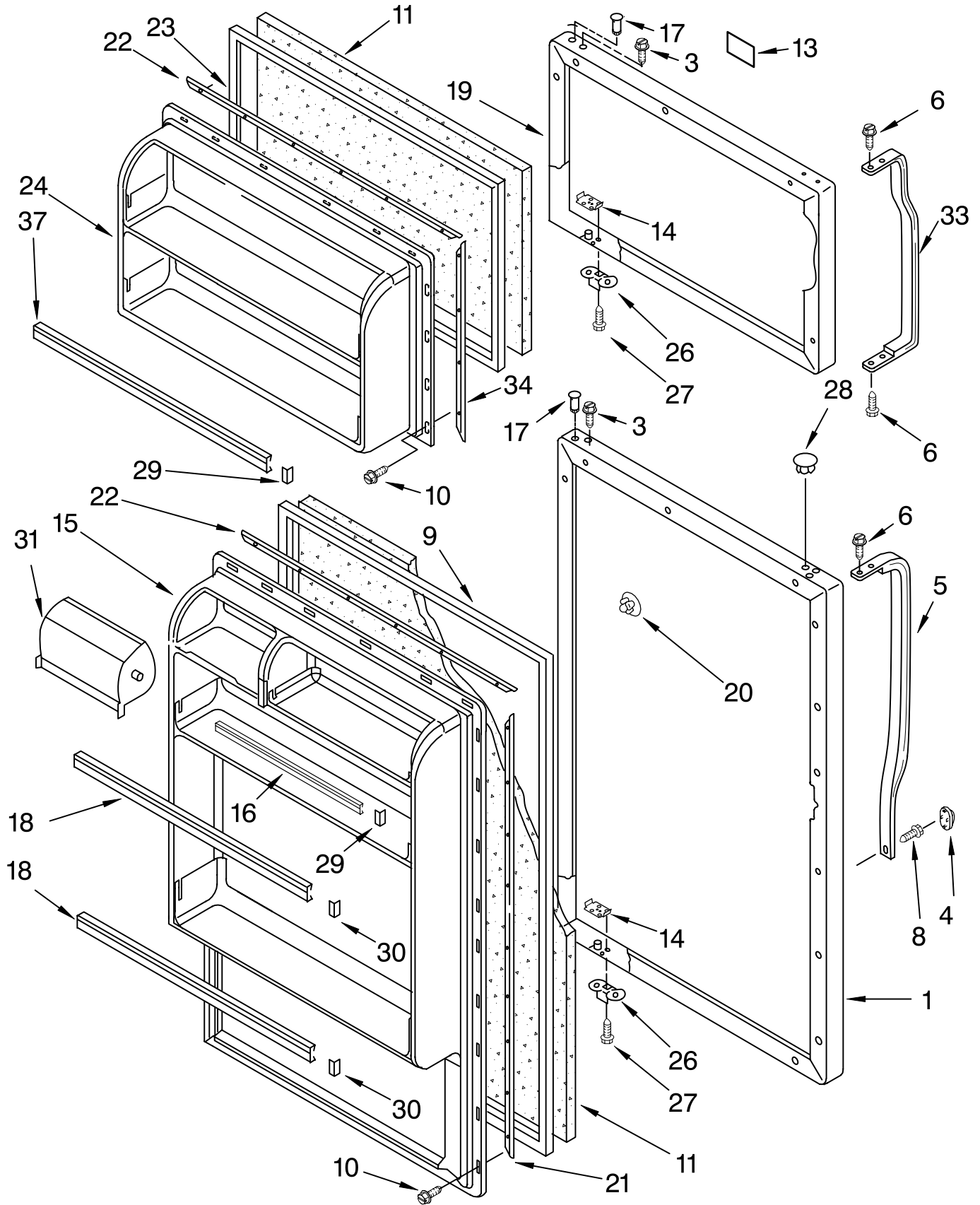
# CABINET PARTS

For Models: ET8GTKXKQ02, ET8GTKXKT02  
(White) (Biscuit)

Illus. No.	Part No.	DESCRIPTION
1		Literature Parts
	2217549	Service & Wiring Sheet
	2263330	Energy Label
	2210108	Use & Care Guide
2	2261963	Hinge (Top)
3	2217757	Roller-Front
6		Cabinet (Not a Serviceable Part)
9	2222100	Screw
12	549193	Clamp-Cord
15	489497	Screw
16	2166086	Hinge, Center
17	2166043	Shim, Hinge Center
20	2221926	Hinge Butt
21	9791682	Hinge-Pin Bott.
22	3428970	Screw
23	2201567	Shim, Bottom Hinge
24	2174760	Fitting, Water Tube
27		Hole Plug (6)
	2201012	White
	2200924	Biscuit
30	1106508	Seal
33	2262176	Screw
34	489341	Washer
35		Corner Filler
	2166003	White
	2202282	Biscuit
36	488296	Washer
37	487996	Cap
		Bushing
38	487802	Washer

# DOOR PARTS

For Models: ET8GTKXKQ02, ET8GTKXKT02  
(White) (Biscuit)



FOR ORDERING INFORMATION REFER TO PARTS PRICE LIST

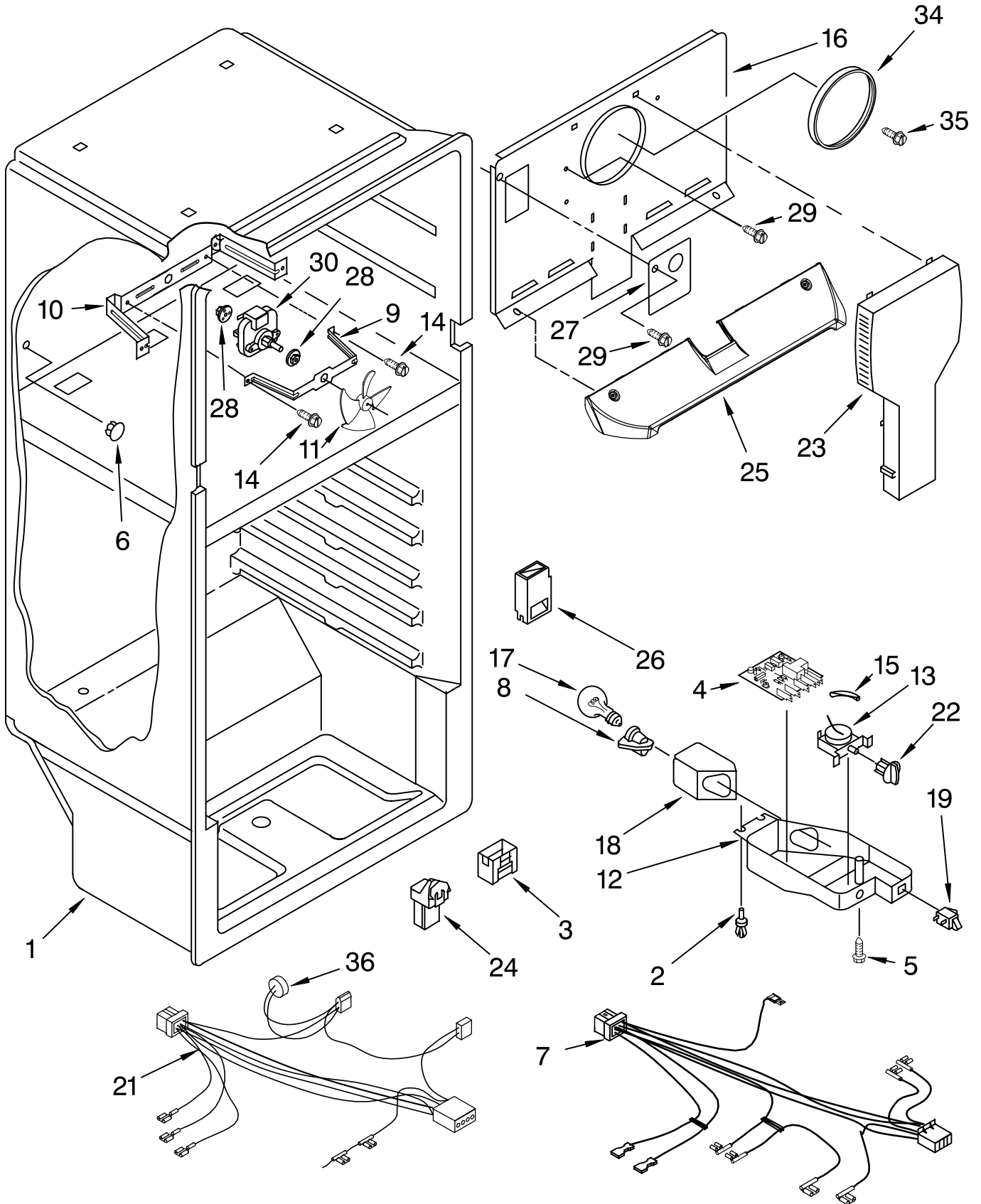
# DOOR PARTS

For Models: ET8GTKXKQ02, ET8GTKXKT02  
(White) (Biscuit)

Illus. No.	Part No.	DESCRIPTION	Illus. No.	Part No.	DESCRIPTION	Illus. No.	Part No.	DESCRIPTION
1		Refrigerator Door Panel (Also Order Item 11)	11	876029	Foam Insulation (Required When Replacing Exterior Door Panel)	21	2197082	Retainer, Gasket
	2197087	White				22	1120614	Retainer, Gasket
	2215359	Biscuit	13	2262218	Nameplate	23	2262079	Door Gasket, Magnetic
3	8281206	Screw	14	2183000	Tap Plate	24	2197159	Interior Door Panel (Freezer)
4		Cover, Screw	15	2197158	Interior Door Panel (Refrigerator)	26	2189202	Bracket, Door Stop
	2202819W	White				27	488921	Screw
	2202819T	Biscuit				28		Hole Plug
5		Handle	16	2163630	Trim, Door Shelf (Upper)		2212648	White
	2221946W	White					2212649	Biscuit
	2221946T	Biscuit	17	2183003	Thimble	29	2156007	Plug-Trim
6	489357	Screw	18	2163628	Trim, Door	30	2156006	Plug-Trim
8	8281146	Screw	19		Freezer Door Panel (Also Order Item 11)	31	2207942	Door, Compartment
9	2262080	Door Gasket, Magnetic				33		Handle F.C.
10	489442	Screw		2197086	White		2202098	White
				2197143T	Biscuit		2215015	Biscuit
			20		Hole Plug	34	1122553	Retainer, Gasket
				2189000	White	37	2163629	Trim-Door (2)
				2200936	Biscuit			

# LINER PARTS

For Models: ET8GTKXKQ02, ET8GTKXKT02  
(White) (Biscuit)



FOR ORDERING INFORMATION REFER TO PARTS PRICE LIST

# LINER PARTS

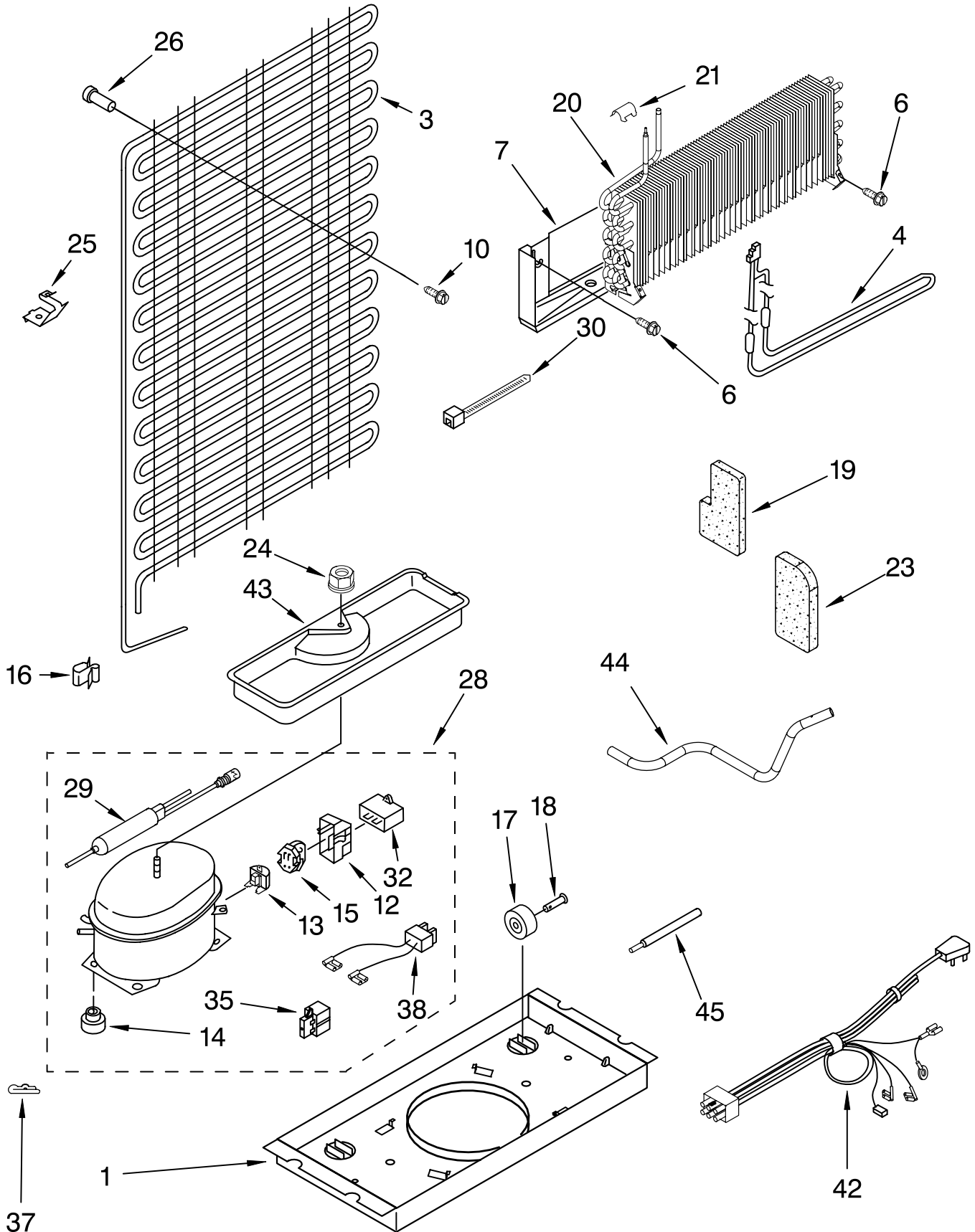
For Models: ET8GTKXKQ02, ET8GTKXKT02  
(White) (Biscuit)

<u>Illus.</u> <u>No.</u>	<u>Part</u> <u>No.</u>	<u>DESCRIPTION</u>
1		Liner (Not A Serviceable Part)
2	939962	Rivet-Plastic
3	2183061	Cover, Air Diffuser
4	2303825	Control, Adaptive Defrost
5	489174	Screw
6	941839	Hole Plug
7	2215115	Wire Assembly Control Box
8	2162085	Socket, Light
9	2197404	Fan Support Bracket
10	2197405	Fan Mounting Bracket
11	2169142	Fan Blade
12	2215210	Control Box
13	2201754	Thermostat
14	489399	Screw
15	1118680	Thermostat Tube Barrier
16	2201205	Cover-Evaporator
17	2252970	Light Bulb
18	9791702	Light Shield
19	1118894	Rocker Arm Switch
21	2215114	Wiring-Freezer (Includes Item 36)
22	2202885	Control Knob
23	9790408	Air Tower
24	2197052	Hood And Foil Assembly
25	2261978	Cover, Air Return
26	2221992	Air Diffuser
27	2217784	Cover, Hole
28	2264462	Grommet-Motor
29	2262178	Screw
30	2201212	Evaporator Fan Motor
34	2213999	Ring, Evaporator Cover
35	489478	Screw
36	2183073	Defrost, Bi Metal

FOR ORDERING INFORMATION REFER TO PARTS PRICE LIST

# UNIT PARTS

For Models: ET8GTKXKQ02, ET8GTKXKT02  
(White) (Biscuit)



FOR ORDERING INFORMATION REFER TO PARTS PRICE LIST

# UNIT PARTS

For Models: ET8GTKXKQ02, ET8GTKXKT02  
(White) (Biscuit)

Illus. No.	Part No.	DESCRIPTION	Illus. No.	Part No.	DESCRIPTION	Illus. No.	Part No.	DESCRIPTION
1	2221886	Support Plate, Compressor	24	489153	Hex Nut	<hr/> Following Parts Not Illustrated and Optional Parts Not Included <hr/>		
3	2252731	Condenser	25	2172892	Clip, Condenser Mounting			
4	2176942	Heater, Defrost	26	2258452	Bracket, Condenser			
6	489442	Screw	28	2216049	Compressor			
7	2201515	Heat Shield			(Includes Items 12,13,14,29,32 35 & 38)			
10	8533892	Screw			(Also Order 482801			
12	2162358	Production Service			Installation Kit & 876765			
13	4387731	Overload			Tube Kit)			
	2214067	Production Service	29		Drier			
	4390624	Grommet			2201796 Production			
14	2222084	Production Service			4387019 Service			
15	2262181	Start Relay (Service See Overload)	30	2263990	Strap	978025		Valve, Access (1/4")
16	939054	Clip, Wire	32	2264017	Capacitor Production	978026		Valve, Access (5/16")
17	2150304	Roller			1118576 Service	978027		Valve, Access (3/8")
18	2262072	Axle, Rivet	35	2183454	Relay (Service Only)	978028		Valve, Access (1/2")
19	2262191	Wedge-Evaporator	37	24364001	Clip, Compressor	978029		Valve, Access (5/8")
20	2263920	Evaporator Assy.	38		Wire Assembly	978030		Valve, Access (3/4")
21	9791833	Clip, Evaporator Tube			2172890 Production	876764		Valve, Access (3/16")
23	2262192	Wedge-Evaporator			4387765 Service	<hr/> <b>REFRIGERANT CHARGE</b> <hr/> 3.75 Ozs. (R134A)		
			42	2165793	Wire Assy. Unit			
			43	2201801	Evaporating Tray			
			44	2262244	Tube, Discharge			
			45	2174739	Tube, Process			



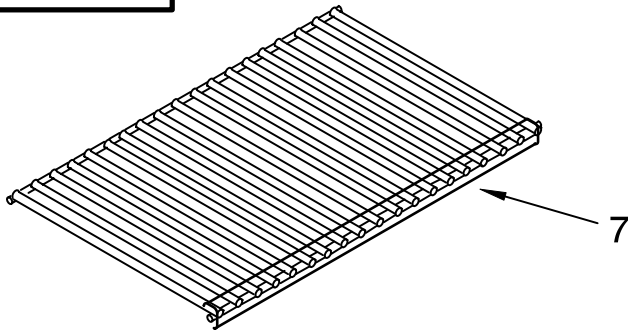
FOR ORDERING INFORMATION REFER TO PARTS PRICE LIST



# SHELF PARTS

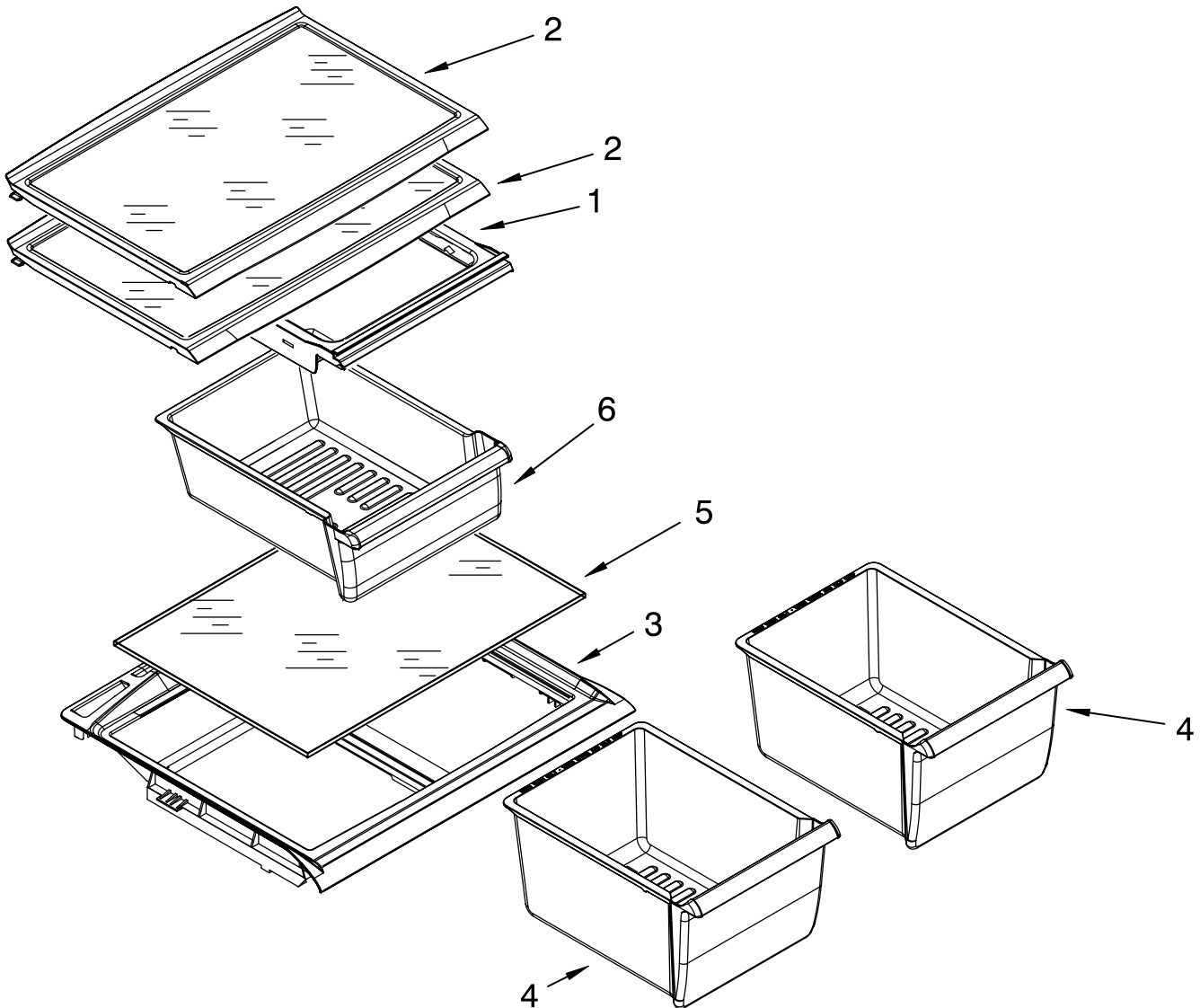
For Models: ET8GTKXKQ02, ET8GTKXKT02  
(White) (Biscuit)

**FREEZER**



Illus. No.	Part No.	DESCRIPTION
1	2263863	Holder, Meat Pan
2	2263641	Shelf
3	2192250	Crisper Cover
4	2252767	Crisper Pan
5	2210047	Glass, Crisper
6	2207936	Pan, Meat
7	2197240	Shelf, Freezer

**REFRIGERATOR**



FOR ORDERING INFORMATION REFER TO PARTS PRICE LIST

# OPTIONAL PARTS

For Models: ET8GTKXKQ02, ET8GTKXKT02  
(White) (Biscuit)

Illus. No.	Part No.	DESCRIPTION
Parts Not Illustrated and Optional Parts (Not Included)		
	978941	Insulation, Fiberglass (63-1/2" x 35-1/2" x 2-5/8")
	212643	Sealer, Gum (4 Feet)
	479502	Tape, Vinyl (3/4" x 108")
	876305	Kit, Insulation (14 Pcs. 3" x 24" x 48")
	876370	Kit, Insulation (2 Pcs. 3" x 24" x 48")
	876029	Kit, Foam Slab (30" x 32-1/2" x 1-1/2")
	505587	Sealer, Mastic (1 Qt.)
	511873	Touch-Up, White Porcelain (2 Oz.)
	542638	Grease, Silicone (1/2 Oz.)
	542639	Cement, Alumilastic (1-1/4 Oz.)
	606755	Bag, Insulation (36-5/8" x 46")
	799833	Kit, Evaporator Repair (Aluminum Epoxy)
	799832	Kit, Porcelain Repair (White)
	503695	Cork Sealer (1/4 Pound)

Illus. No.	Part No.	DESCRIPTION
<b>Customer Touch-Up Material</b>		
	*350942	Primer, White (13 Oz. Spray Can)
	*350939	Enamel, Black (13 Oz. Spray Can)
	*350930	Enamel, White (13 Oz. Spray Can)
	*350956	Enamel, Almond (13 Oz. Spray Can)
	72017	Brush Touch-Up Kit (White)
	72032	Brush Touch-Up Kit (Black)
	72107	Brush Touch-Up Kit (Almond)
<b>Refinishing Material</b>		
	799344	Enamel, White (1 Qt. Uncut)
	978883	Enamel, Almond (1 Qt. Uncut)
	833938	Kit, Terminal Connector
*Caution: The Spray Paint Is Not To Be Used Where The Paint May Make Contact With The Door Gaskets		

Illus. No.	Part No.	DESCRIPTION
<b>ICE MAKER FIELD INSTALLABLE</b>		
	2155469	ECKMF94
<b>TORX SCREW WRENCH</b>		
	1117510	Torx Key