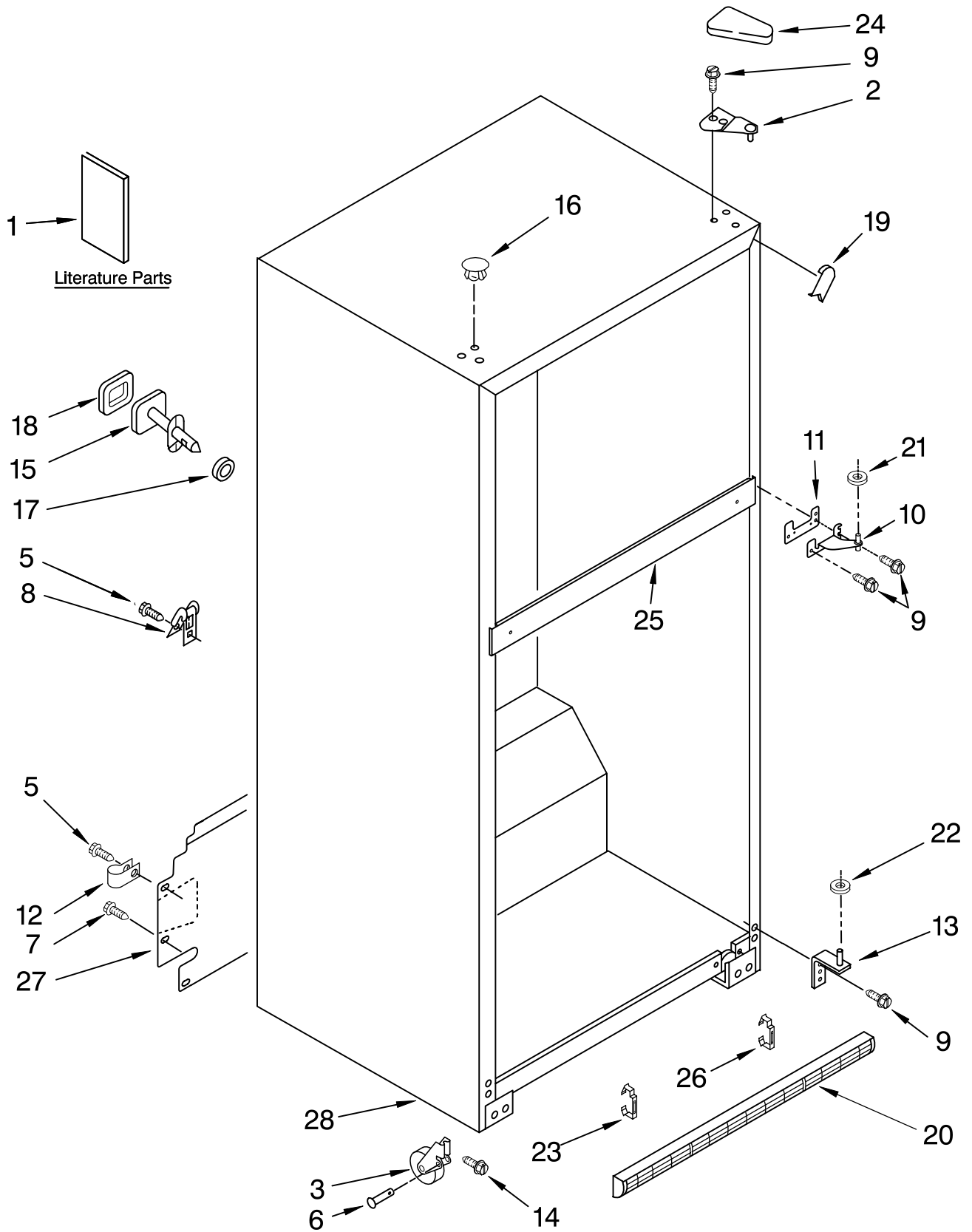




CABINET PARTS

For Models: ET8FTEXVQ00, ET8FTEXVT00, ET8FTEXVB00
(White) (Biscuit) (Black)

REFRIGERATOR



FOR ORDERING INFORMATION REFER TO PARTS PRICE LIST

CABINET PARTS

For Models: ET8FTEXVQ00, ET8FTEXVT00, ET8FTEXVB00
(White) (Biscuit) (Black)

Illus. No.	Part No.	DESCRIPTION	Illus. No.	Part No.	DESCRIPTION	Illus. No.	Part No.	DESCRIPTION
1		Literature Parts	8	549193	Clamp-Service Cord	20		Grille
	W10142143	Service & Wiring Sheet	9	489497	Screw			(Includes Illus. 23 & 26)
	W10178119	Energy Label Use & Care Guide	10	2254618	Hinge, Center		2254386	White
	W10131409	Bilingual	11	2183852	Shim, Hinge Center		2254389	Biscuit
	W10131417	Trilingual	12	489385	Tube Clamp		2254388	Black
			13	2254473	Hinge Butt	21	489341	Washer
			14	3400504	Screw	22	487576	Washer
			15		Fitting, Water Tube (Not Serviced)	23	2189356	Clip, Grille
			16		Hole Plug (6)	24		Cover, Hinge
				2201012	White		2213360	White
				2200924	Biscuit		2213364	Biscuit
				2183998	Black		2213363	Black
			17		Seal, Front (Not Serviced)	25		Rail, Center (Not Serviced)
			18		Seal, Rear (Not Serviced)	26	2254385	Clip, Grille
			19		Corner Filler (2)	27	2254578	Cover, Unit
				2201014	White	28		Cabinet (Not a Serviceable Part)
				2200926	Biscuit			
				2201017	Black			

Following May Be Purchased

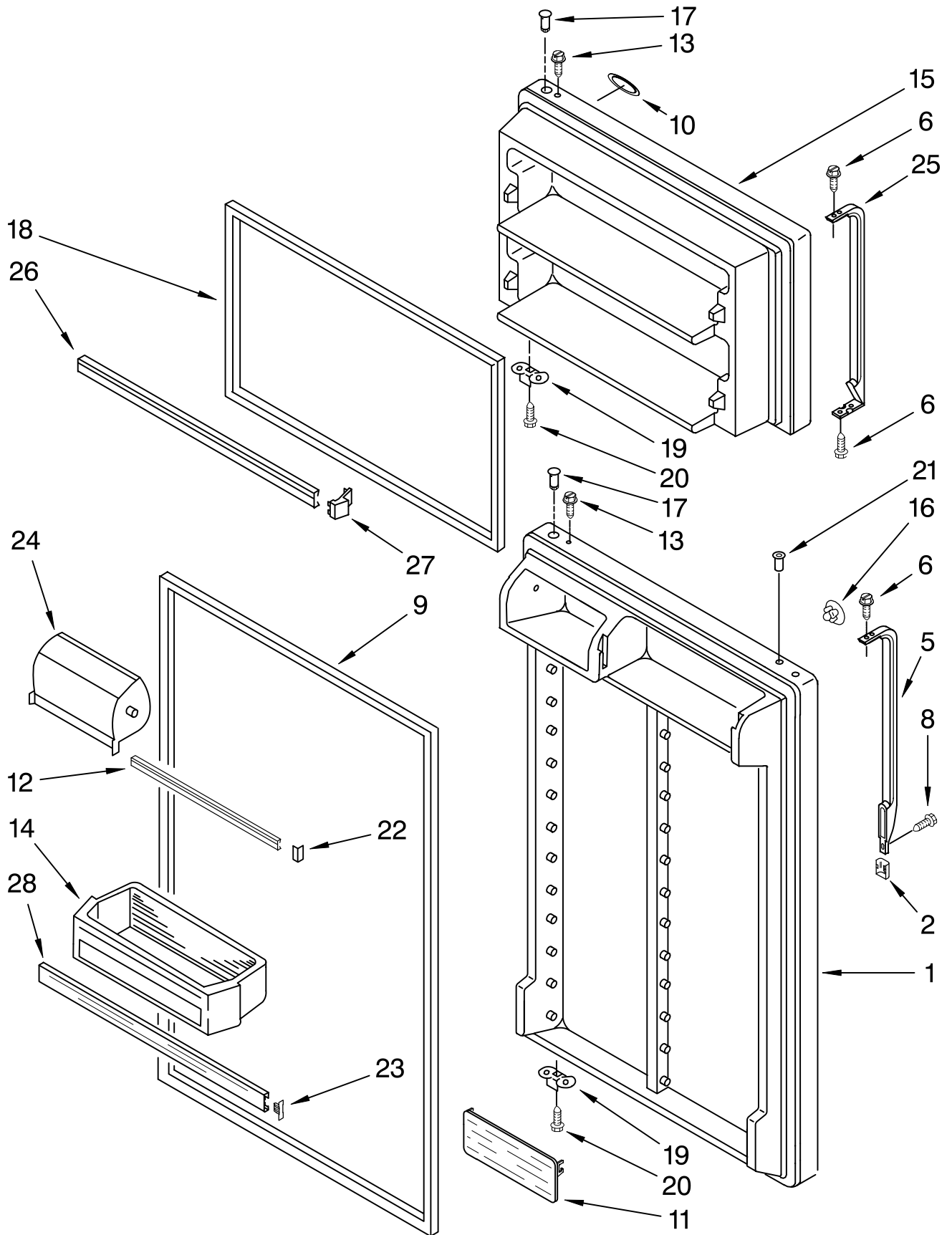
DO-IT-YOURSELF REPAIR MANUALS

677969 Do-It-Yourself Manual, Ref./Fzr.

2	2189410	Hinge (Top)
3	2166108	Roller, Front (2)
5	8281265	Screw
6	2179826	Rivet
7	489427	Screw

DOOR PARTS

For Models: ET8FTEXVQ00, ET8FTEXVT00, ET8FTEXVB00
(White) (Biscuit) (Black)



FOR ORDERING INFORMATION REFER TO PARTS PRICE LIST

DOOR PARTS

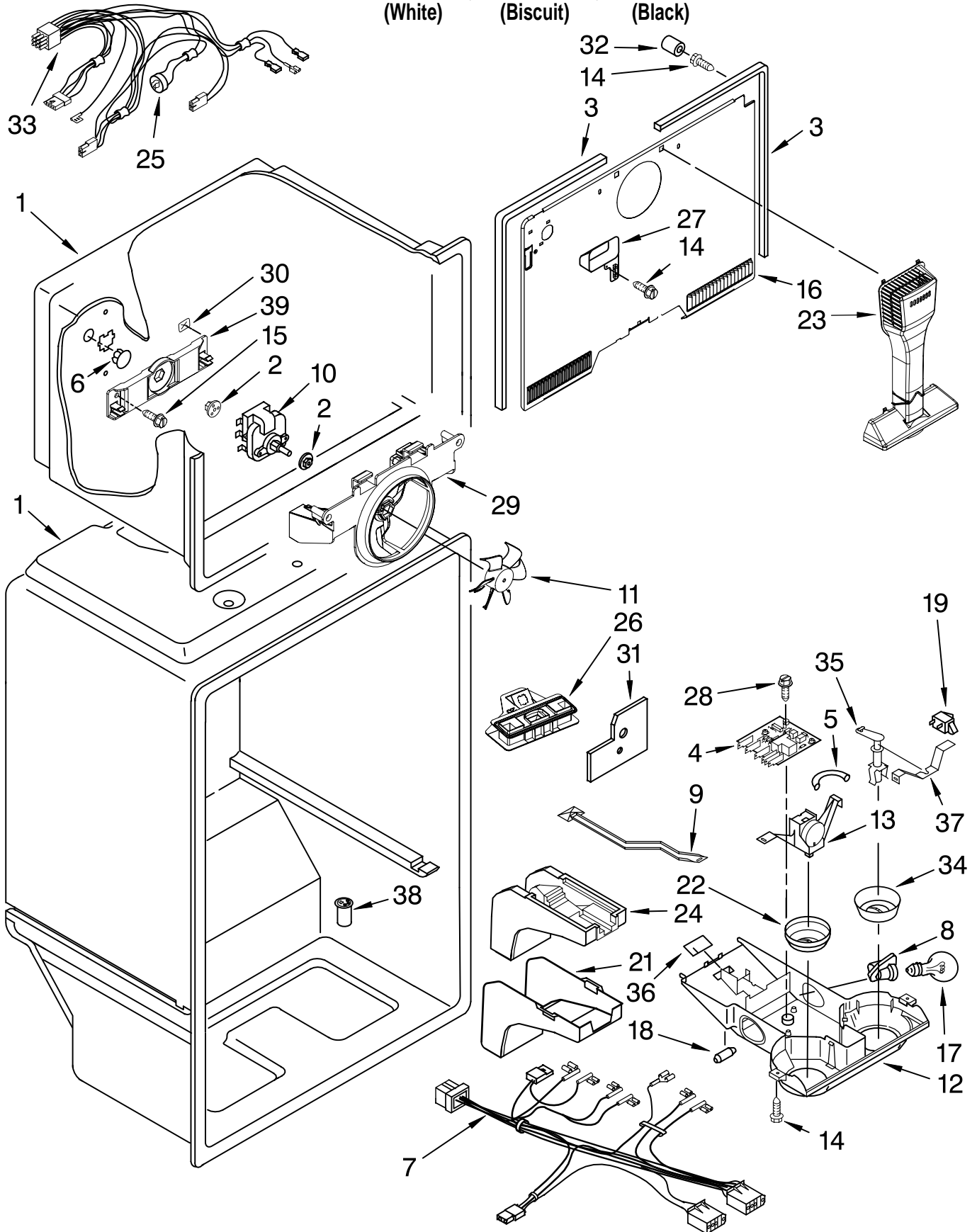
For Models: ET8FTEXVQ00, ET8FTEXVT00, ET8FTEXVB00
(White) (Biscuit) (Black)

Illus. No.	Part No.	DESCRIPTION	Illus. No.	Part No.	DESCRIPTION	Illus. No.	Part No.	DESCRIPTION
1		Refrigerator Door (Includes Illus. 9, & 17)	10	2262218	Nameplate	19	2189202	Bracket, Door Stop (2)
	2183898	White	11	2188234	Shelf, Flip-Up	20	489276	Screw
	2205281	Biscuit	12	2180027	Trim, Door Shelf	21		Hole Plug
	2200712	Black	13	8281206	Screw		2212648	White
2		Handle, Trim	14	2204810	Door Bin (3)		2212649	Biscuit
	2193353W	White	15		Freezer Door (Includes Illus. 17 & 18)		2212651	Black
	2193353T	Biscuit		2182487	White	22	2156007	Plug, Trim
	2193353B	Black		2205279	Biscuit	23	2156006	Plug, Trim
5		Handle, Refrigerator		2200710	Black	24	2218113	Compartment Door
	2213112W	White	16		Hole Plug, Handle	25		Handle, Freezer
	2213112T	Biscuit		2189000	White		2213111W	White
	2213112B	Black		2200936	Biscuit		2213111T	Biscuit
6	489357	Screw		2189009	Black		2213111B	Black
8	8281146	Screw	17	2314293	Thimble	26	2195946	Trim, Door (2)
9		Door Gasket, Magnetic	18		Door Gasket, Magnetic	27	2195916	Endcap (4)
	2202874	Mist Beige		2214966	Mist Beige	28	2195949	Trim, Door
	2202881	Black		2214968	Black			

FOR ORDERING INFORMATION REFER TO PARTS PRICE LIST

LINER PARTS

For Models: ET8FTEXVQ00, ET8FTEXVT00, ET8FTEXVB00
(White) (Biscuit) (Black)



FOR ORDERING INFORMATION REFER TO PARTS PRICE LIST

LINER PARTS

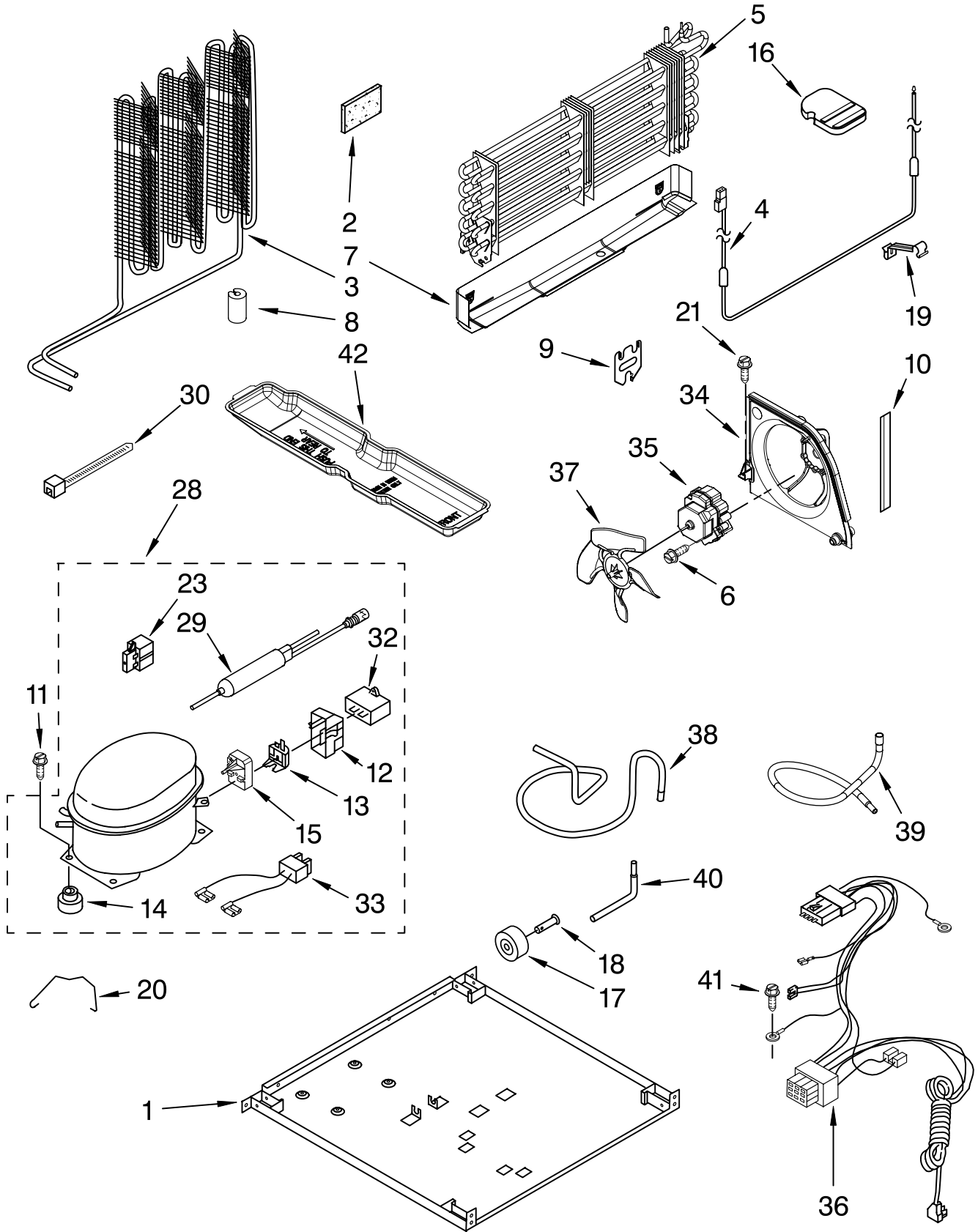
For Models: ET8FTEXVQ00, ET8FTEXVT00, ET8FTEXVB00
(White) (Biscuit) (Black)

Illus. No.	Part No.	DESCRIPTION	Illus. No.	Part No.	DESCRIPTION	Illus. No.	Part No.	DESCRIPTION
1		Liner (Not A Serviceable Part)	14	489478	Screw	29	2254453	Bracket, Fan Motor
2	2197380	Grommet (2)	15	488208	Screw	30	2320183	Retainer-Screw
3	2254359	Gasket, Evaporator Cover (Side)	16	2320192	Cover, Evaporator	31	2204639	Shield, Heat
4	2304099	Adaptive Defrost Control	17	527949	Light Bulb (2)	32	487996	Cap
5	2212485	Thermostat Tube, Barrier	18	2200831	Weight, Thermal	33	W10129791	Wire Assembly Freezer Compt. (Includes Illus. 25)
6	941839	Hole Plug	19	1118894	Rocker Arm Switch	34	2302536	Knob, Damper
7	2310057	Wire Assembly, Control Box	21	2176281	Cover, Air Diffuser	35	2179859	Post, Damper
8	2162085	Socket, Light	22	2200863	Knob, Thermostat	36	2205079	Seal, Rear Thermostat
9	2179858	Damper, Air	23	2254354	Air Tower	37	2163810	Bracket, Damper Knob
10	2315539	Fan Motor	24	2189452	Air Diffuser, Bottom	38	2171931	Valve
11	2163777	Fan Blade	25	2321800	Defrost, Bi-Metal	39	2254454	Bracket Evap. Fan, Rear
12	2212982	Control Box	26	2210390	Air Separator Assembly			
13	2210489	Thermostat Assy. (Includes Illus. 5 & 18)	27	2205003	Cover, Hole			
			28	8534009	Screw			

FOR ORDERING INFORMATION REFER TO PARTS PRICE LIST

UNIT PARTS

For Models: ET8FTEXVQ00, ET8FTEXVT00, ET8FTEXVB00
(White) (Biscuit) (Black)



FOR ORDERING INFORMATION REFER TO PARTS PRICE LIST

UNIT PARTS

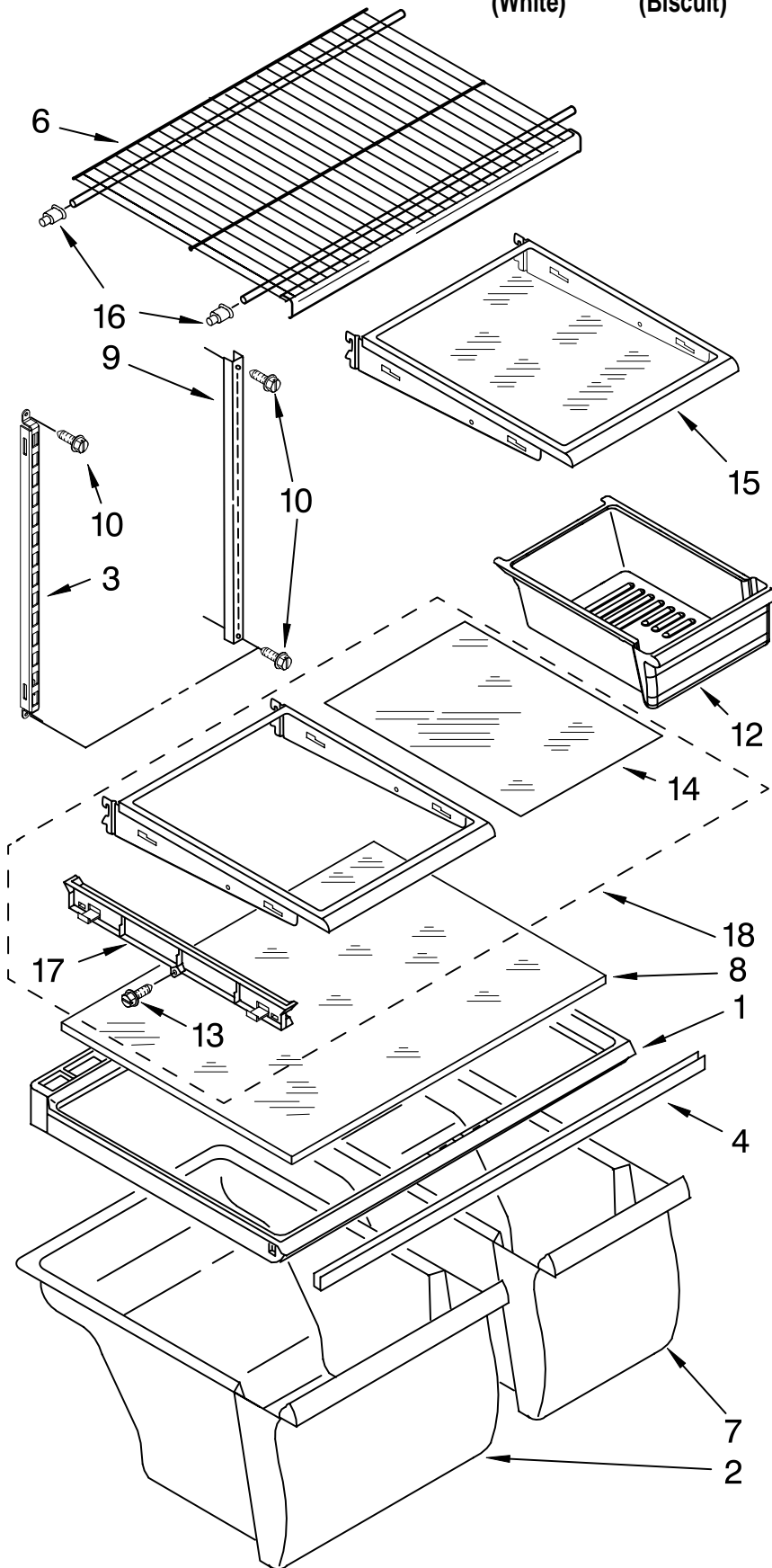
For Models: ET8FTEXVQ00, ET8FTEXVT00, ET8FTEXVB00
(White) (Biscuit) (Black)

Illus. No.	Part No.	DESCRIPTION	Illus. No.	Part No.	DESCRIPTION	Illus. No.	Part No.	DESCRIPTION
1	2320188	Plate, Unit Mounting	16	2201184	Support Block	41	488500	Screw
2	2169104	Insulation, Sound Dampening	17	2150304	Roller (2)	42	2254574	Evaporator Tray
3	2214960	Condenser	18	2221797	Rivet	Following Parts Not Illustrated and Optional Parts Not Included		
4	2315531	Heater, Defrost	19	2182338	Clip, Heater	978025		Valve, Access (1/4")
5	2254250	Evaporator Assy.	20	2255113	Strap	978026		Valve, Access (5/16")
6	8533859	Screw	21	3400518	Screw	978027		Valve, Access (3/8")
7	2254294	Drain Pan	23	2183454	Relay (Service Only)	978028		Valve, Access (1/2")
8	2319835	Grommet-Cond(4)	28	2218968	Compressor (Includes Items 12,13,14,23,29,32 & 33)	978029		Valve, Access (5/8")
9	2176301	Bracket, Heater	29		Drier	978030		Valve, Access (3/4")
10	2300638	Extension, Air Baffle	30	2317845	Service	876764		Valve, Access (3/16")
11	489373	Screw	32	2155774	Clamp	REFRIGERANT CHARGE		
12	4387731	Cover (Service Only)	32	2264017	Capacitor Production	4.00 Ozs. (R134A)		
13	4390624	Overload (Service Only)		1118576	Service			
14		Grommet (4)	33	4387765	Wire Assembly (Service Only)			
	1100826	Production	34	2315541	Air Baffle			
	4387558	Service	35	2188874	Motor, Condenser			
15	2225929	Start-Device Combination (Start Relay and Overload for Production Compressor Only)	36	2187382	Wire Assembly Unit			
			37	2225834	Fan Blade			
			38	2205384	Tube, Discharge			
			39	2225237	Tube, Suction			
			40	2154109	Tube, Process			

FOR ORDERING INFORMATION REFER TO PARTS PRICE LIST

SHELF PARTS

For Models: ET8FTEXVQ00, ET8FTEXVT00, ET8FTEXVB00
(White) (Biscuit) (Black)



Illus. No.	Part No.	DESCRIPTION
1	2314497	Cover, Crisper
2	2218124	Crisper Pan (13-Inch)
3	2300520	Ladder, Center Shelf
4	2314477	Support, Crisper Cover
6	2176275	Shelf
7	2218123	Crisper Pan (10-Inch)
8	2221693	Glass, Crisper Cover
9	2210522	Ladder, Side Shelf (2)
10	489478	Screw
12	2218127K	Meat Pan
13	3400665	Screw
14	2214912	Glass, Half Shelf
15	2214908	Shelf Assembly, Spillguard
16	2163762	Cup, Shelf Mtg.
17	2214892	Track, Pan Slide (2)
18	2214910	Shelf Assembly

FOR ORDERING INFORMATION REFER TO PARTS PRICE LIST

OPTIONAL PARTS

For Models: ET8FTEXVQ00, ET8FTEXVT00, ET8FTEXVB00
(White) (Biscuit) (Black)

Illus. No.	Part No.	DESCRIPTION	Illus. No.	Part No.	DESCRIPTION	Illus. No.	Part No.	DESCRIPTION	
Parts Not Illustrated and Optional Parts (Not Included)			Customer Touch-Up Material			ICE MAKER FIELD INSTALLABLE			
	978941	Insulation, Fiberglass (63-1/2" x 35-1/2" x 2-5/8")		*350942	Primer, White (12 Oz. Spray Can)		2155469	ECKMF94	
	212643	Sealer, Gum (4 Feet)		*350939	Enamel, Black (12 Oz. Spray Can)				
	479502	Tape, Vinyl (3/4" x 108")		*350930	Enamel, White (12 Oz. Spray Can)				
	876305	Kit, Insulation (14 Pcs. 3" x 24" x 48")		*4392901	Enamel, Biscuit (12 Oz. Spray Can)				
	876370	Kit, Insulation (2 Pcs. 3" x 24" x 48")		72017	Brush Touch-Up Kit (White)				
	876029	Kit, Foam Slab (30" x 32-1/2" x 1-1/2")		72032	Brush Touch-Up Kit (Black)				
	505587	Sealer, Mastic (1 Qt.)		4392899	Brush Touch-Up Kit (Biscuit)				
	511873	Touch-Up, White Porcelain (2 Oz.)		Refinishing Material					
	542638	Grease, Silicone (1/2 Oz.)		799340	Enamel, Black (1 Qt. Uncut)				
	542639	Cement, Alumilastic (1-1/4 Oz.)		799344	Enamel, White (1 Qt. Uncut)				
	606755	Bag, Insulation (36-5/8" x 46")		4392900	Enamel, Biscuit (1 Qt. Uncut)				
	799833	Kit, Evaporator Repair (Aluminum Epoxy)		833938	Kit, Terminal Connector				
	799832	Kit, Porcelain Repair (White)		* Important: The spray paint is not to be used where the paint may make contact with the door gaskets.					
	503695	Cork Sealer (1/4 Pound)							
								TORX SCREW WRENCH	
								1117510 Torx Key	