

UNITED®



USER'S MANUAL

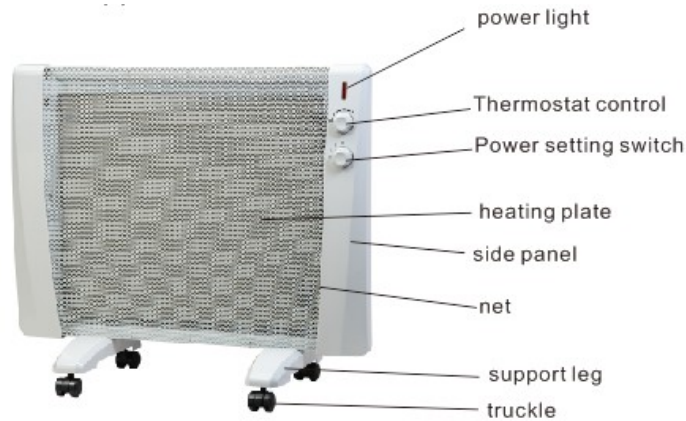
for

MICA HEATER

UHM-782

Thank you for using our products. Please read this instruction manual carefully before operation!

I . Product Appearance



II . Main Technical Data

Model	Rated Voltage	Rated Frequency	Rated Power
UHM-782	220-240V	50Hz	2000W

III.Precaution Items For Safe Use

- 1) Please read the product manual carefully before using the heater.
- 2) Insert the plug into the socket(requirements for socket and power cord: AC 220-240V, 50/60Hz, $\geq 10A$).The heater must not be located below a fixed socket.
- 3) Please operate according to the instructions of the manual. Any unrecompensed operation can cause fire, short circuit and personal injuries.
- 4) Unauthorized extension of power cord is not allowed to avoid fire caused by overheating of the extension part.
- 5) In order to prevent short circuit, fire or damages to the appliance, never insert any article into the heater or block the cooling net.
- 6) Since the heater can generate heat, don not touch the hot surface with uncovered human body to prevent burns. Grab the plastic handle at the rear to move the heater when necessary. In case that children, animals or lame people and people lacking self-discipline are on the spot and left unattended, avoid using the appliance.

- 7) Never use the heater outdoors.
- 8) Do not use this heater in the immediate surroundings of a bath, a shower or a swimming pool
- 9) Do not use the appliance in area where gasoline, paint and flammable liquid are used to stored.
- 10) Never cover anything on the heater during use.
- 11) To avoid current overload, do not share the use of a single socket with other appliances.
- 12) The heater must not be located below a fixed socket.
- 13) If the power cord is damaged, it must be replaced by the manufacturer or its maintenance agent or a similarly qualified person in order to avoid potential hazards.
- 14) Never use the product with automatic power-on programmer, timer or other types of installations.
- 15) In case of product failure, please contact after-sales service agent for inspection and repairing. Unauthorized disassembling and replacement of parts are not allowed.
- 16) The product shall be packed properly to prevent it from dust and kept in a well-ventilated, dry place.

CAUTION:

This appliance is not intended for use by persons (including children) with reduced physical, sensory or mental capabilities, or lack of experience and knowledge, unless they have been given supervision or instruction concerning use of the appliance by a person responsible for their safety.

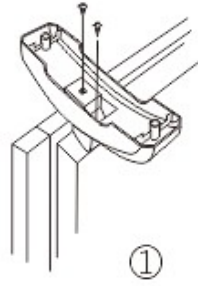
Children should be supervised to ensure that they do not play with the appliance.

IV . How to install

(The product has two installation methods: Desk-top and wall mount)

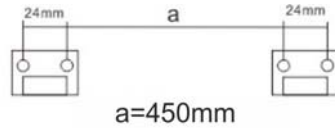
1. Free standing installation:

First, take the heater out the package and place it upside down on soft surface. Second, take four screws from the accessories (two screw for each castor, parallel the bevel of castor bracket to the bevel of the heater, if installed reversely, the screw cannot be revolved in.) and aim them at the taps to tighten them. Third, Then just upright the heater and put it into use. You may refer to the following figure.



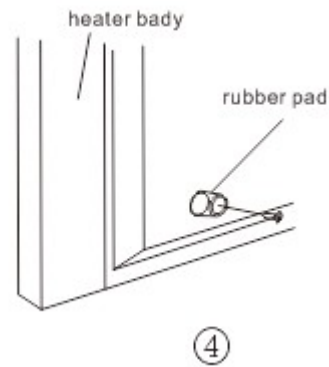
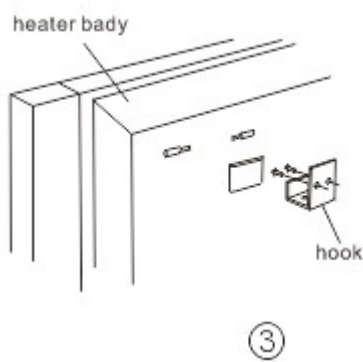
2. Wall mounting:

First, use an electric drill to drill four holes on the wall. Diameter and depth for the drilling holes are respectively 8mm and 35mm, you can find the distance between the four holes in the picture 2.



2

Second, insert the plastic bulged screws into the drilling holes, then let the screws through the hooks and aim them at the holes, fix the hooks on the wall. Aim two rubber pads on the back of heater with screws.



Third, find two holes locations on the handle at the rear of the heater and fix them to the hooks on the wall. Pull the heater rightward to make the hooks tally with the holes locations.

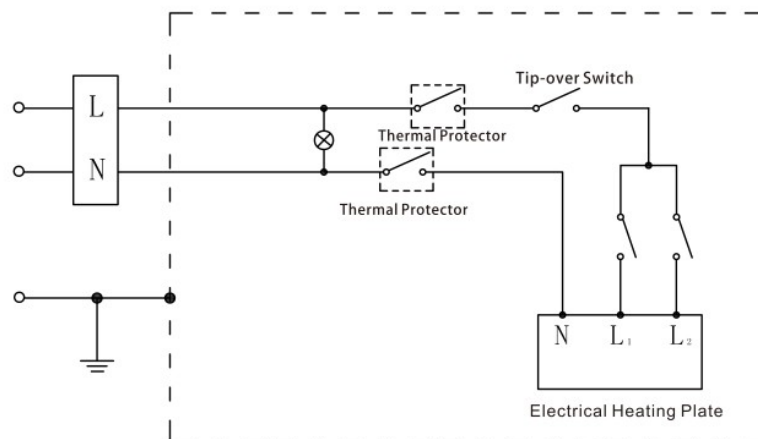
NOTE:

If wall mount method is adopted, installation of truckles is not allowed.
The mounting location shall be 15cm above the floor and 50cm beneath the ceiling or more. You may refer to the following figure.

OPERATION

- 1) Room temperature can be adjusted using the thermostat. Simply turn the thermostat knob clockwise, to increase the heater, and anti-clockwise to decrease the temperature, until you reach the desired temperature.
- 2) Switch the heater to one of the following power settings.
UHM-782: Push switch one (I) for 800W
Push switch two (II) for 1200W
Push switch three (III) for 2000W
- 3) The power switch lights up when activated.
- 4) Turning the thermostat control clockwise will increase the “set” temperature.
- 5) Turning the thermostat anti-clockwise will decrease the “set” temperature.
- 6) Do not cover the heater at any time during operation. There is a risk of fire if the heater is covered.
- 7) Once you have finished using your heater, turn the power switches off, and the thermostat control switch to the “Low” positions, and unplug from the mains supply.

VI .Circuit diagram



NOTICE ABOUT RECYCLING



Your product is designed and manufactured with high quality materials and components which can be recycled and reused.

This symbol means that electrical and electronic equipment, at their end-of-life, should be disposed of separately from your household waste.

Please dispose of this equipment at your local community waste collection/recycling centre. In the European Union there are separate collection systems for used electrical and electronic products. Please help us to conserve the environment we live in!

DECLARATION OF CONFORMITY

This product complies with the requirements of the directives

EMC-Directive: 2004 / 108 / EC

Low Voltage Directive: 2006 / 95 / EC

declare that the model UHF-824

is in compliance with the following norms:

EN 55014-1 :2006/+A1: 2009

EN 55014-2 :1997/+A1:2001/+A2:2008

EN 61000-3-2 :2006/+A1:2009/+A2 : 2009

EN 61000-3-3: 2008

EN 60335-2-30:2003+A1:2004+A2:2007

EN 60335-1-02+A11,A1 :04+A12,A2 :06+A13 :08

EN 62233: 2008

EXCLUSIVE IMPORTER IN GREECE:

Amiridis – Savidis S.A.

- 33, Vas. Olgas Street – P.C. 54641 – Thessaloniki, Greece.
Tel: +30 2310-850107, 2310-850108, Fax: +30 2310-867835
- 45 Posidonos St. – P.C. 18344 – Moschato, Athens, Greece
Tel: +30 210 9402064, Fax: +30 210 9402137

www.amiridis-savvidis.gr