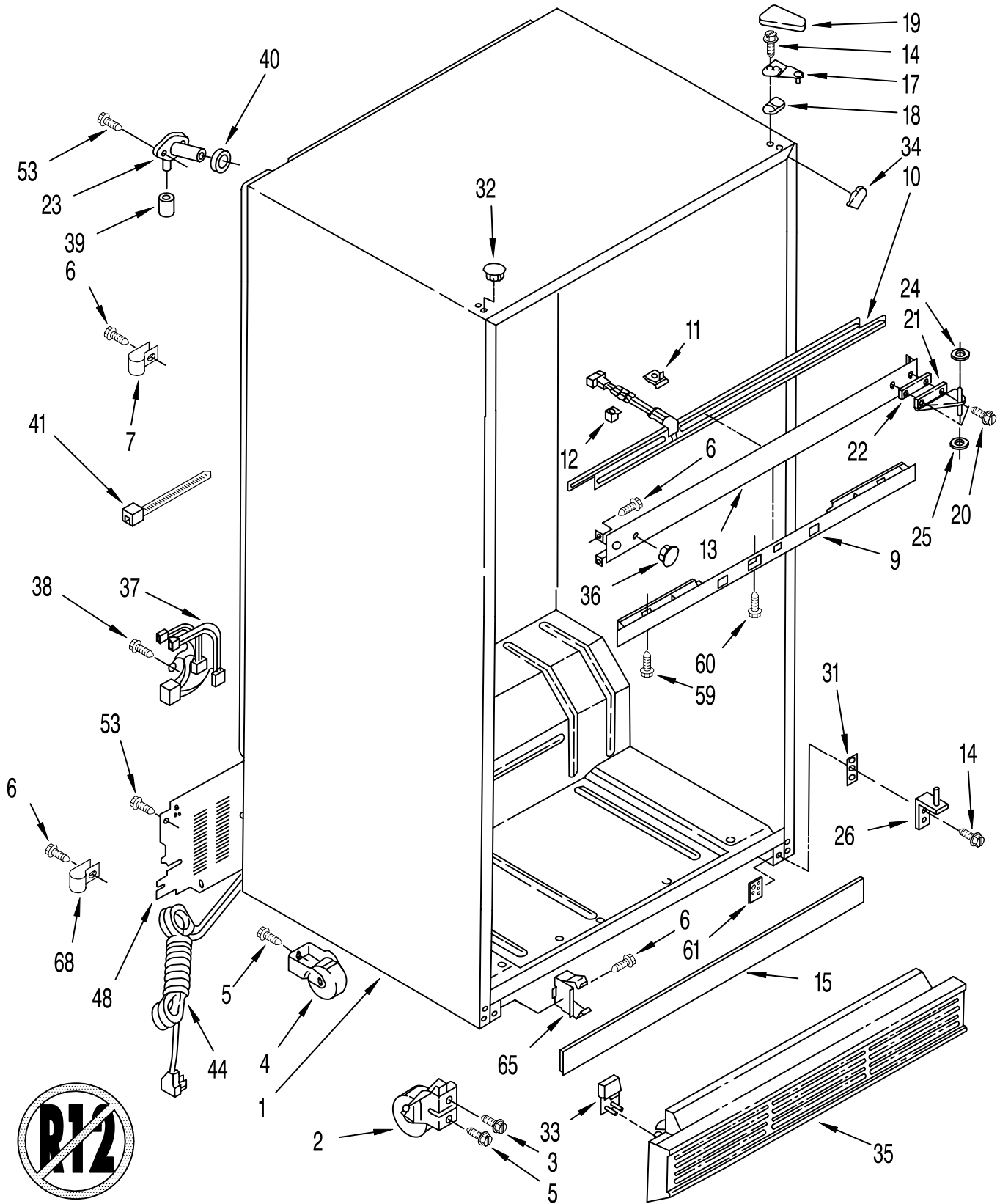




CABINET PARTS

REFRIGERATOR

For Models: ET22DKXAW04, ET22DKXAN04, ET22DKXAB04
(White) (Almond) (Black)



FOR ORDERING INFORMATION REFER TO PARTS PRICE LIST

CABINET PARTS

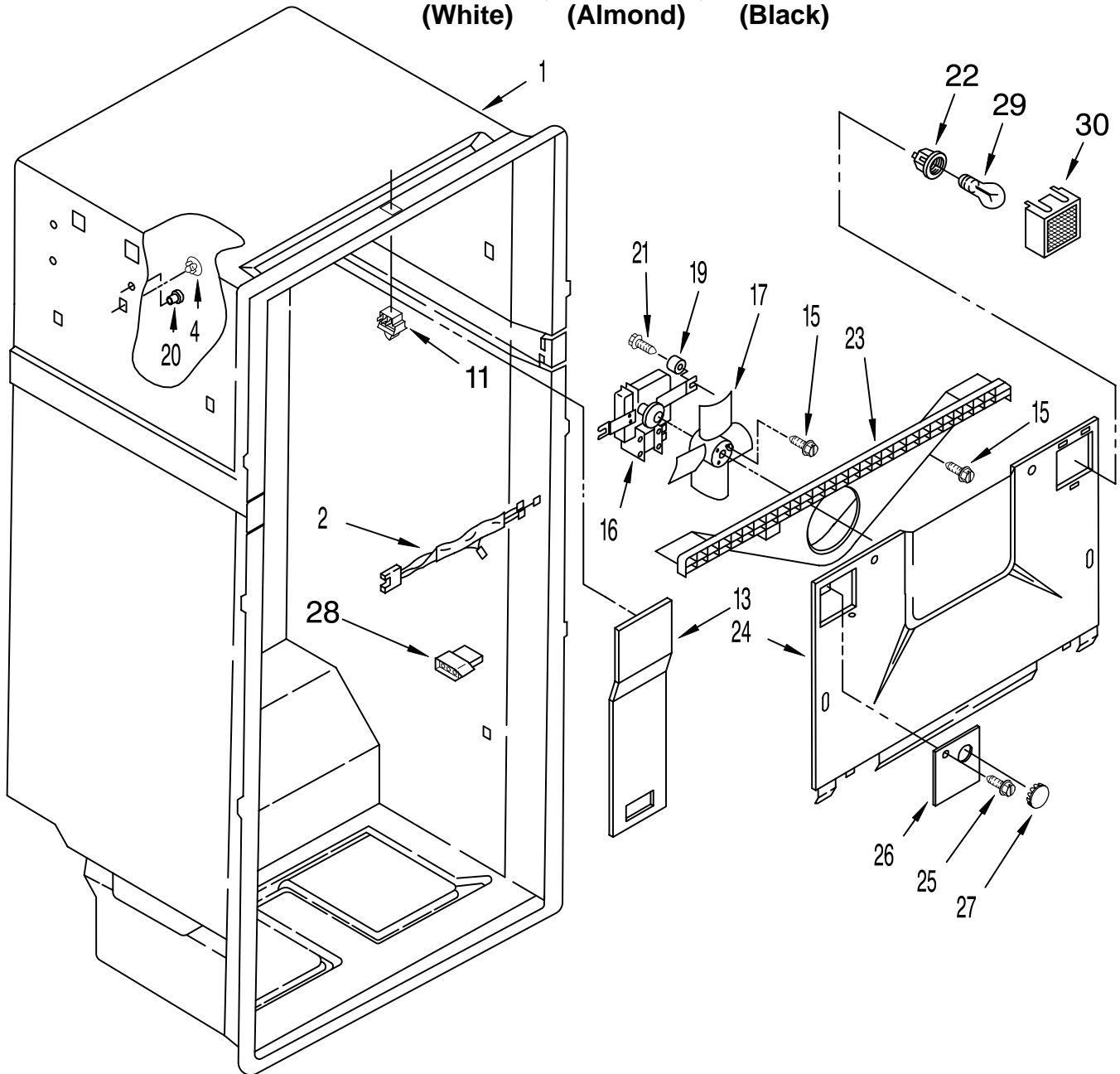
For Models: ET22DKXAW04, ET22DKXAN04, ET22DKXAB04
(White) (Almond) (Black)

| Illus. Part No. No. | DESCRIPTION | Illus. Part No. No. | DESCRIPTION | Illus. Part No. No. | DESCRIPTION |
|------------------------|----------------------------------|------------------------|---------------------------------|------------------------|-----------------------------------|
| 1 | Cabinet (Not A Serviceable Part) | 22 | 836155 Shim, Hinge Center | 35 | Grille |
| 2 | 2152011 Roller, Front | 23 | 2154070 Fitting-Water Tube | 1125663 | White |
| 3 | 489393 Screw, 5/16-24 x 1-1/4 | 24 | 487802 Washer, 11/64 | 1125667 | Almond |
| 4 | 981122 Roller, Rear (2) | 25 | Washer | 1129001 | Black |
| 5 | 488454 Screw, 1/4-28 x 1/2 | | 488184 White | 36 | Hole Plug |
| 6 | 489242 Screw | | 489200 Black | 1129062 | White |
| 7 | 489385 Clamp, Tube | 26 | Hinge Butt, Bottom | 37 | 2153994 Wiring Assy. Intermediate |
| 9 | 2148533 Control, Front Cover | | 2157300 White And Almond Models | 38 | 489048 Screw, 8-32 x 1/2 |
| 10 | 2157307 Heater, Mullion | | 2157299 Black Model | 39 | 487996 Cap |
| 11 | 1129018 Clip, Rail (4) | 31 | 2172744 Spacer | 40 | 1106508 Gasket |
| 12 | 2149077 Spacer (3) | 32 | Hole Plug | 41 | 2155774 Strap, Mtg. |
| 13 | 2172705 Center Rail | | 2151652 White | 44 | 937360 Cord, Service |
| 14 | 489367 Screw | | 2151653 Almond | 48 | 2160490 Cover, Unit |
| 15 | 2172708 Deck Rail Cover | | 2160802 Black | 53 | 489084 Screw |
| 17 | 2157593 Hinge, Top | 33 | Corner Filler, Grille | 59 | 488725 Screw, 8 x 13/16 |
| 18 | 2157269 Shim, Hinge Top | | 1125665 White | 60 | 489174 Screw |
| 19 | Hinge Cover | | 1125670 Almond | 61 | 2157315 Tap-Plate, Bottom Hinge |
| | 2160403 White | | 1118078 Black | 65 | 2155013 Clip, Grille Retainer (2) |
| | 2160404 Almond | 34 | Filler, Wrap Corner | 68 | 549193 Clamp |
| | 2160406 Black | | 1118058 White | | |
| 20 | 489105 Screw | | 1118059 Almond | | |
| 21 | 2151453 Hinge, Center | | 2162679 Black | | |

FOR ORDERING INFORMATION REFER TO PARTS PRICE LIST

LINER PARTS

For Models: ET22DKXAW04, ET22DKXAN04, ET22DKXAB04
(White) (Almond) (Black)

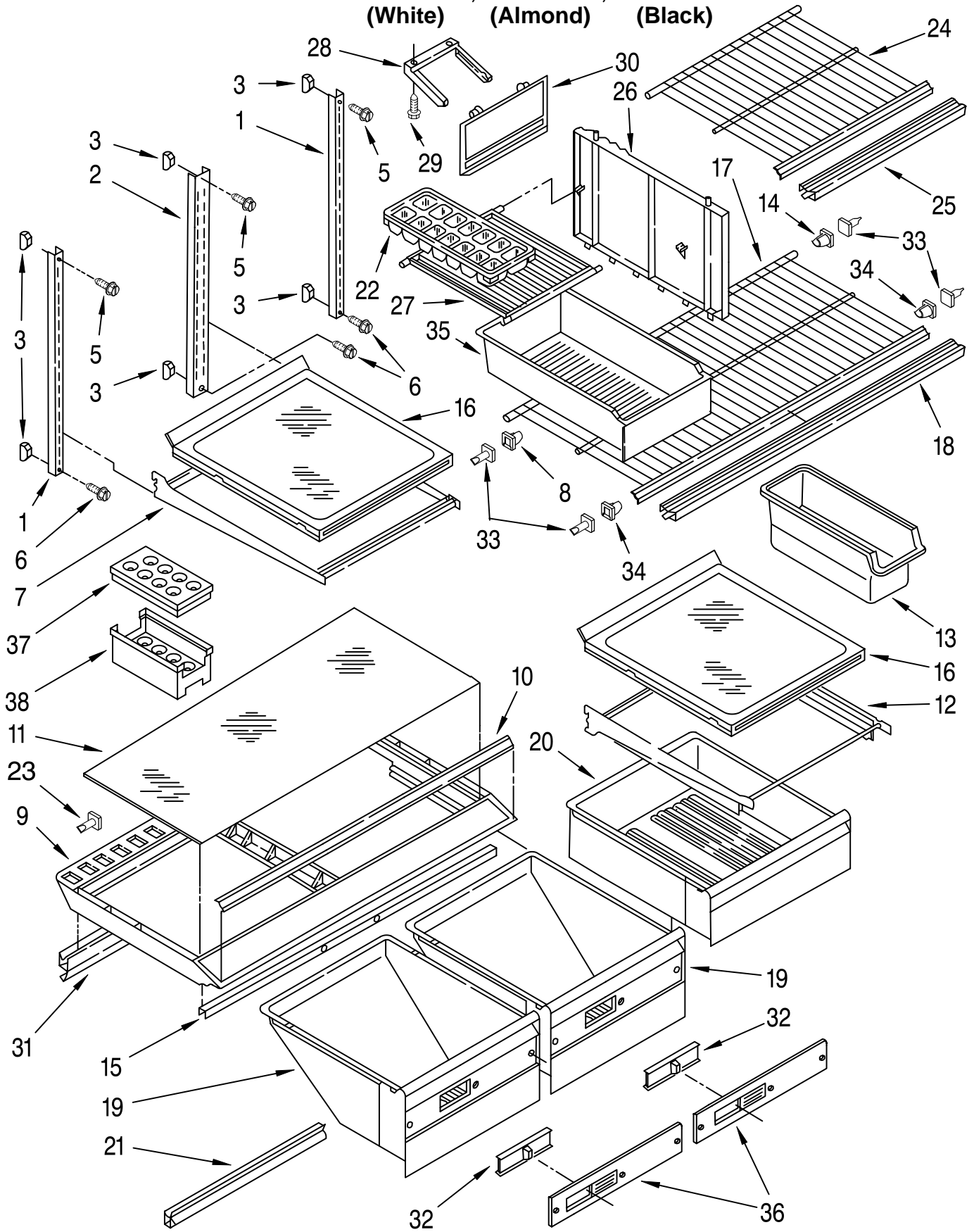


| Illus. No. | Part No. | DESCRIPTION | Illus. No. | Part No. | DESCRIPTION | Illus. No. | Part No. | DESCRIPTION |
|------------|----------|--------------------------------|------------|----------|------------------|------------|----------|------------------------|
| 1 | | Liner (Not A Serviceable Part) | 16 | 2169116 | Motor, Fan | 25 | 489196 | Screw |
| 2 | 1127626 | Wiring, Fan Motor | 17 | 2162448 | Blade, Fan | 26 | 944759 | Hole Cover, Evaporator |
| 4 | 941839 | Hole Plug (3) | 19 | 531933 | Grommet (2) | 27 | 1103725 | Hole Plug |
| 11 | 1108112 | Rocker Arm Switch | 20 | 1110779 | Grommet (4) | 28 | 934326 | Housing Plug |
| 13 | 2157411 | Cover, Air Duct | 21 | 489168 | Screw | 29 | 946059 | Light Bulb |
| 15 | 489242 | Screw | 22 | 2155597 | Socket, Light | 30 | 981365 | Light Lens |
| | | | 23 | 2160644 | Scroll, Fan | | | |
| | | | 24 | 2157427 | Evaporator Cover | | | |

FOR ORDERING INFORMATION REFER TO PARTS PRICE LIST

SHELF PARTS

For Models: ET22DKXAW04, ET22DKXAN04, ET22DKXAB04
(White) (Almond) (Black)



FOR ORDERING INFORMATION REFER TO PARTS PRICE LIST

SHELF PARTS

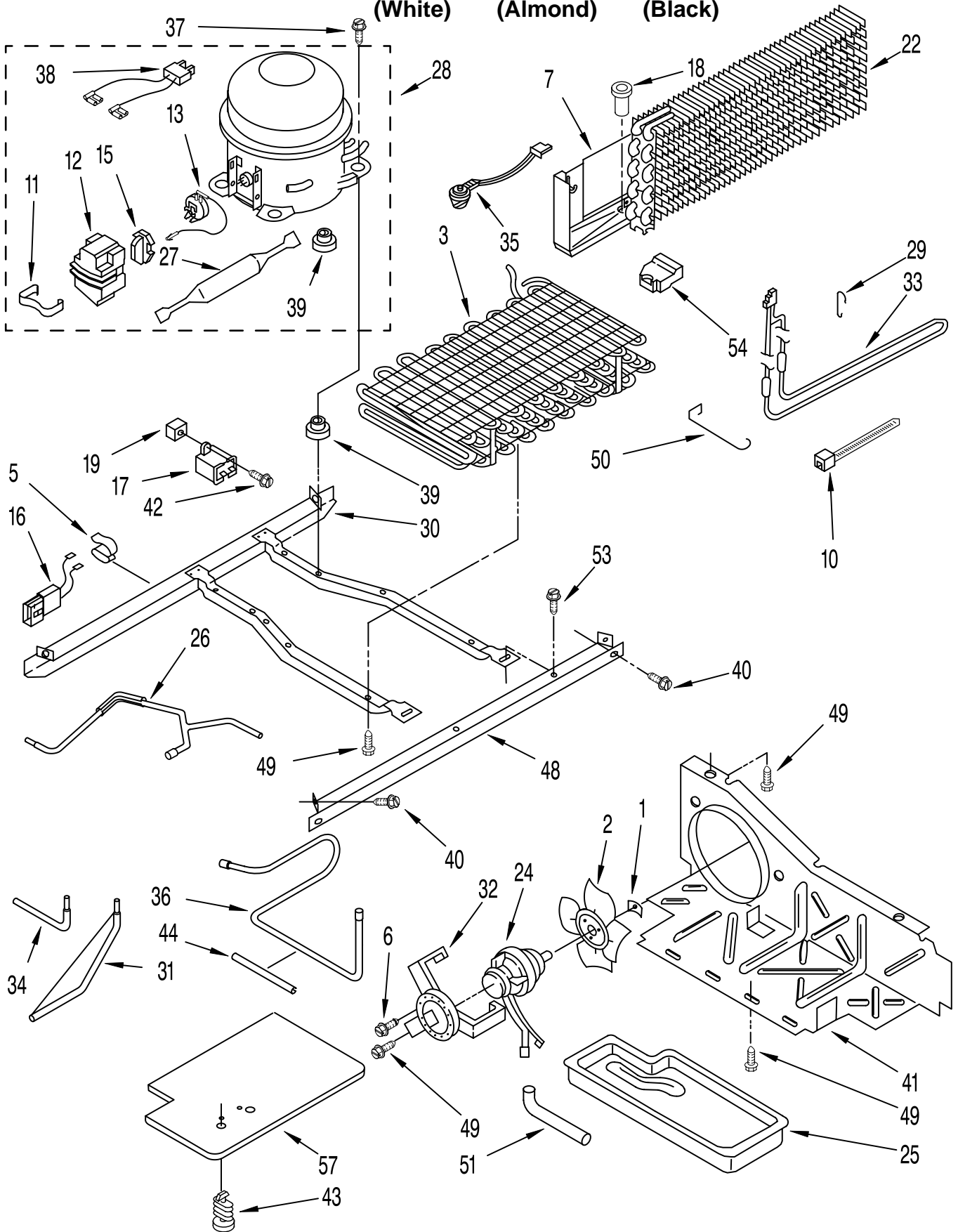
For Models: ET22DKXAW04, ET22DKXAN04, ET22DKXAB04
(White) (Almond) (Black)

| Illus. Part No. No. DESCRIPTION | Illus. Part No. No. DESCRIPTION | Illus. Part No. No. DESCRIPTION | |
|--|--|---|--|
| 1 1114466 Shelf, Ladder (2) | <p style="text-align: center;">Parts Not Illustrated and Optional Parts (Not Included)</p> <hr/> <p>Miscellaneous</p> <p>978941 Insulation, Fiberglass (63-1/2" x 35-1/2" x 2-5/8")</p> <p>212643 Sealer, Gum (4 Feet)</p> <p>479502 Tape, Vinyl (3/4" x 108")</p> <p>876305 Kit, Insulation (14 Pcs. 3" x 24" x 48")</p> <p>876370 Kit, Insulation (2 Pcs. 3" x 24 " x 48")</p> <p>876029 Kit, Foam Slab (30" x 32-1/2" x 1-1/2")</p> <p>505587 Sealer, Mastic (1 Qt.)</p> <p>511873 Touch-Up, White Porcelain (2 Oz.)</p> <p>542638 Grease, Silicone (1/2 Oz.)</p> <p>542639 Cement, Alumilastic (1-1/4 Oz.)</p> <p>606755 Bag, Insulation (36-5/8" x 46")</p> <p>799833 Kit, Evaporator Repair (Aluminum Epoxy)</p> <p>503695 Cork Sealer (1/4 Pound)</p> <p>2155034 Door Reversal Instructions</p> <hr/> <p>Customer Touch-Up Material</p> <p>*350942 Primer, White (13 Oz. Spray Can)</p> <p>*350941 Leveler, Enamel (13 Oz. Spray Can)</p> <p>*350939 Enamel, Black (13 Oz. Spray Can)</p> <p>*350930 Enamel, White (13 Oz. Spray Can)</p> <p>*350956 Enamel, Almond (13 Oz. Spray Can)</p> <p>72017 Brush Touch-Up Kit (White)</p> <p>72032 Brush Touch-Up Kit (Black)</p> <p>72107 Brush Touch-Up Kit (Almond)</p> | <p style="text-align: center;">Refinishing Material</p> <p>799344 Enamel, White (1 Qt. Uncut)</p> <p>978883 Enamel, Almond (1 Qt. Uncut)</p> <p>833938 Kit, Terminal Connector</p> <p style="text-align: center;">*Caution: The Spray Paint Is Not To Be Used Where The Paint May Make Contact With The Door Gaskets</p> <p style="text-align: center;">LITERATURE PARTS</p> <p>LIT2162812 Energy Guide</p> <p>LIT2160152 Care & Use Guide</p> <p>LIT2169381 Service & Wiring Sheet</p> <p style="text-align: center;">Following May Be Purchased</p> <p style="text-align: center;">DO-IT-YOURSELF REPAIR MANUALS</p> <p>LIT677969 Do-It Yourself Manual, Ref./Fzr.</p> <p>LIT677971 Do-It Yourself Manual, IceMaker</p> <p style="text-align: center;">ICE MAKER FIELD INSTALLABLE</p> <p style="text-align: right;">ECKMF-90 Part No. 1129316</p> <p style="text-align: center;">TORX SCREW WRENCH</p> <p>1117510 Torx Key</p> | |
| 2 1114465 Shelf, Ladder Center | | | |
| 3 520965 Screw, Support (6) | | | |
| 5 489345 Screw, 8-32 x 1-1/4 | | | |
| 6 488163 Screw, 8 x 1-1/4 | | | |
| 7 2160306 Shelf, Cantilever | | | |
| 8 946358 Shelf Stud, L.S. | | | |
| 9 2148600 Crisper Cover | | | |
| 10 2172711 Trim, Crisper Cover | | | |
| 11 1124553 Glass, Crisper Cover | | | |
| 12 2166327 Shelf Assembly, Cantilever | | | |
| 13 1127196 Container | | | |
| 14 946357 Shelf Stud, R.S. | | | |
| 15 2172748 Crisper, Support | | | |
| 16 2160318 Shelf Assembly, Spillguard (5) | | | |
| 17 1106615 Shelf, Freezer | | | |
| 18 2148535 Trim, Shelf Front | | | |
| 19 2162717 Pan, Crisper | | | |
| 20 2162716 Pan, Meat | | | |
| 21 1116512 Crisper Gasket, Front (2) | | | |
| 22 841180 Ice Tray (4) | | | |
| 23 1106612 Shelf Stud (2) | | | |
| 24 1106822 Shelf, Freezer (Top) | | | |
| 25 2148537 Trim, Shelf | | | |
| 26 1127416 Divider | | | |
| 27 1106624 Ice Compartment, Shelf | | | |
| 28 1106817 Slide, Ice Compartment | | | |
| 29 489242 Screw | | | |
| 30 2148741 Door, Ice Compartment | | | |
| 31 1105653 Crisper Gasket, Rear (2) | | | |
| 32 2148524 Slide, Crisper | | | |
| 33 946355 Support, Stud | | | |
| 34 946356 Shelf Stud | | | |
| 35 2148742 Pan, Utility | | | |
| 36 2148816 Crisper, Pan Front | | | |
| 37 1107388 Egg Container-Top | | | |
| 38 1107384 Egg Container- Bottom | | | |

FOR ORDERING INFORMATION REFER TO PARTS PRICE LIST

UNIT PARTS

For Models: ET22DKXAW04, ET22DKXAN04, ET22DKXAB04
(White) (Almond) (Black)



FOR ORDERING INFORMATION REFER TO PARTS PRICE LIST

UNIT PARTS

For Models: ET22DKXAW04, ET22DKXAN04, ET22DKXAB04

(White) (Almond) (Black)

| Illus. Part No. No. DESCRIPTION | Illus. Part No. No. DESCRIPTION | Illus. Part No. No. DESCRIPTION |
|---|---|--|
| 1 486692 Speed Nut | 26 2162475 Tube, Discharge | 50 1105612 Guard, Fan |
| 2 851732 Fan, Blade | 27 2164409 Drier | 51 2154119 Tube, Drain |
| 3 2164513 Condenser Assembly | 28 2162354 Compressor (Includes Items 11, 12, 13, 15, 27, 38, 39) (Also Order 876765 Tube Kit) | 53 489339 Screw, 1/4-28 x 1/2 |
| 5 548745 Clip, Wire | | 54 1118805 Support, Evap. R.S. |
| 6 489019 Screw, 8-32 x 3/8 | | 2159708 L.S. |
| 7 2153974 Drain Pan & Heat Shield | 29 2149120 Support, Heater | 57 2160505 Cover, Unit Bottom |
| 10 2155774 Strap, Mtg. | 30 2160500 Unit Mounting Frame | |
| 11 2165001 Production 938384 Service | 31 2154032 Tube, Condenser To Heat Loop | Following Parts Not Illustrated and Optional Parts Not Included |
| 12 Cover | 32 2162062 Fan, Motor Bracket | |
| 2162358 Production 1108115 Service | 33 2162019 Heater, Defrost | 978025 Valve, Access (1/4") |
| 13 Overload | 34 2154109 Tube, Process | 978026 Valve, Access (5/16") |
| 2159596 Production (Includes Relay) | 35 2149641 Bi-Metal, Defrost | 978027 Valve, Access (3/8") |
| 2154760 Service (Includes Relay) | 36 2162472 Tube, Suction | 978028 Valve, Access (1/2") |
| 15 Relay (See Overload) | 37 489373 Screw, 1/4-28 x 1 | 978029 Valve, Access (5/8") |
| 16 1118850 Housing Plug | 38 1127675 Wire Asm. | 978030 Valve, Access (3/4") |
| 17 2154565 Running Capacitor | 39 1100826 Grommet | 876764 Valve, Access (3/16") |
| 18 2172811 Drain Fitting | 40 489340 Screw | |
| 19 509812 Screw Grommet | 41 2162457 Air Baffle | |
| 22 2153978 Evaporator | 42 488687 Screw | |
| 24 2154735 Fan Motor | 43 489396 Clip | |
| 25 2154114 Tray, Evaporator | 44 2162499 Sleeve | |
| | 48 2149717 Unit Mounting Rail | |
| | 49 489337 Screw | |

REFRIGERANT CHARGE

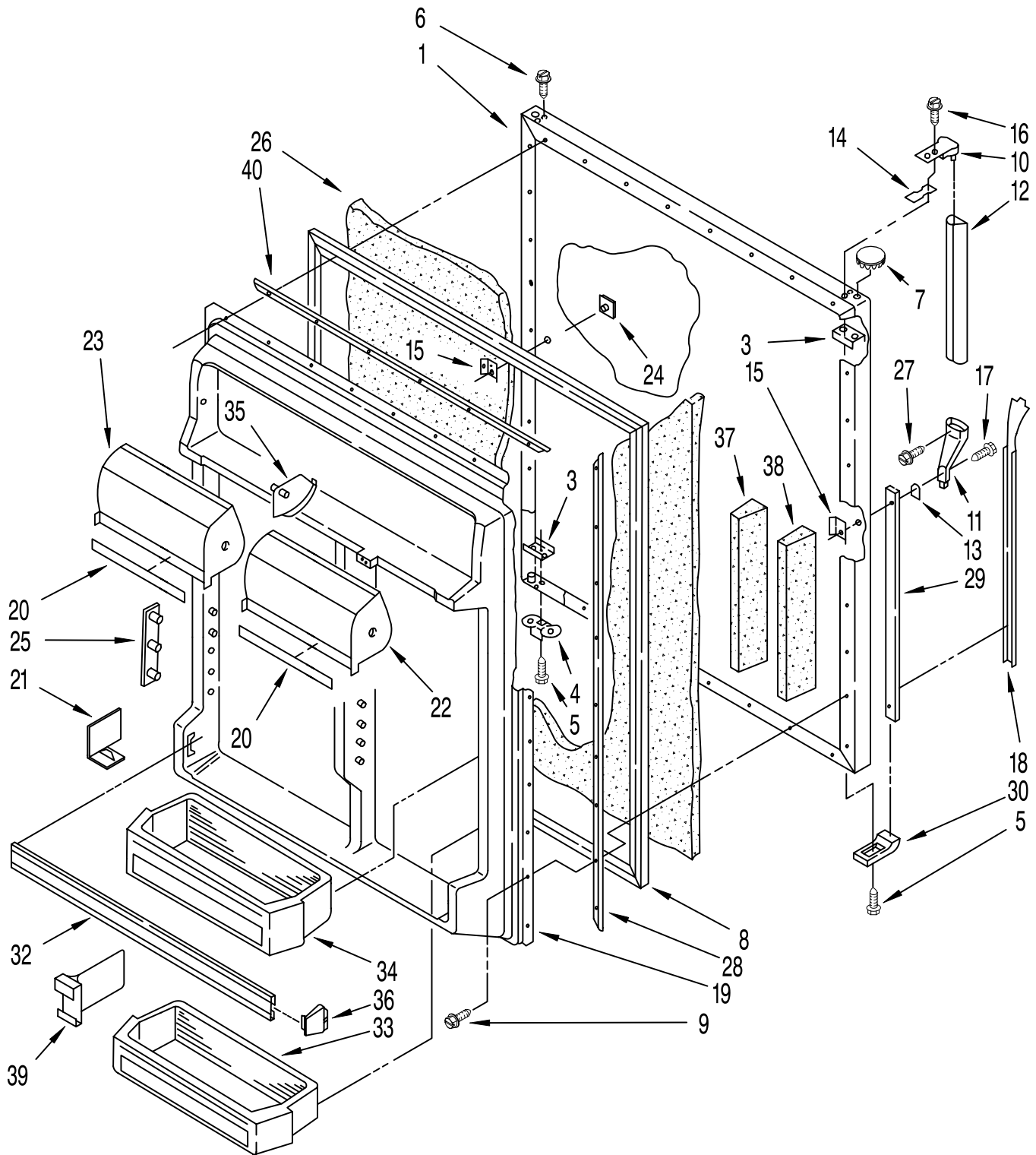
5.5 Ozs.

**Production Compressor Requires Production Electrical Components.
Service Compressor Requires Service Electrical Components.
For Further Information, Refer to Filmcard 19.1.**



REFRIGERATOR DOOR PARTS

For Models: ET22DKXAW04, ET22DKXAN04, ET22DKXAB04
(White) (Almond) (Black)



FOR ORDERING INFORMATION REFER TO PARTS PRICE LIST

REFRIGERATOR DOOR PARTS

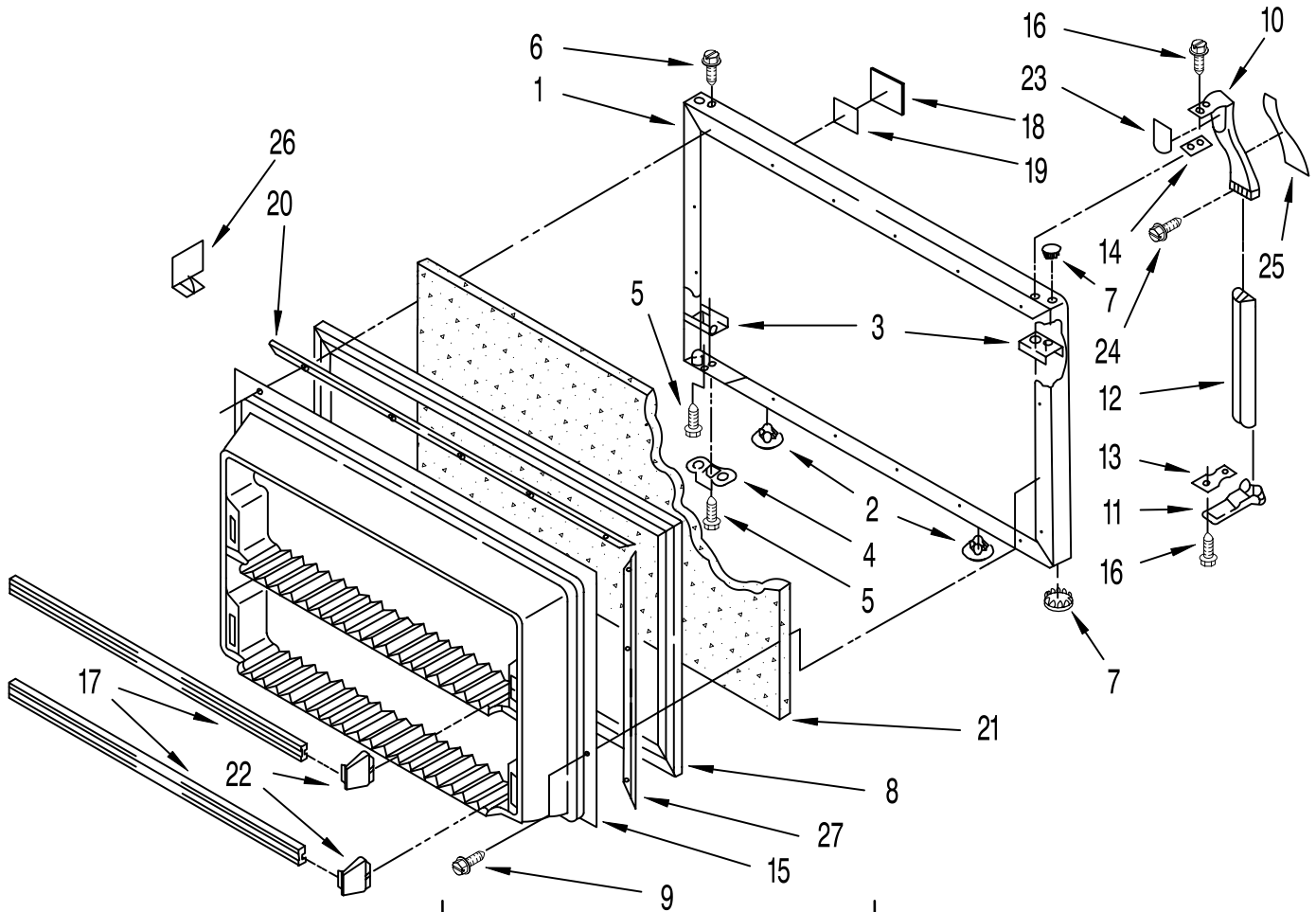
For Models: ET22DKXAW04, ET22DKXAN04, ET22DKXAB04
(White) (Almond) (Black)

| Illus. Part No. No. | DESCRIPTION | Illus. Part No. No. | DESCRIPTION | Illus. Part No. No. | DESCRIPTION |
|------------------------|---|------------------------|---------------------------------|------------------------|---|
| 1 | Panel, Refrigerator Door (Also Order Item 26) | 11 1109189 | Handle End, Side | 24 | Hole Plug, Handle |
| 1122549 | White | 12 | Handle, Center | 1122653 | White |
| 1122658 | Almond | 2150150 | White | 1122654 | Almond |
| 2161866 | Black | 943068 | Almond | 2160809 | Black |
| 3 943185 | Plate, Tap (4) | 1120781 | Black | 25 1116986 | Pin Plate |
| 4 | Bracket, Door Stop | 13 935075 | Shim, Handle End (Side) | 26 876029 | Foam Insulation (Required When Replacing Exterior Door Panel) |
| 944036 | White And Almond Models | 14 943188 | Spacer, Handle Door | 27 489022 | Screw, 6-20 x 3/8 |
| 1115910 | Black Model | 15 2151669 | Screw Anchor | 28 1122551 | Retainer, Gasket |
| 5 488921 | Screw, 8 x 1/2 | 16 489006 | Screw, 8 x 5/8 | 29 935871 | Retainer, Insert |
| 6 489028 | Screw, 8-15 x 1/2 | 17 487909 | Screw, 8 x 1/2 | 30 1105804 | End Cap, Insert Retainer |
| 7 | Hole Plug | 18 | Insert, Handle | 32 2148616 | Trim, Door Shelf |
| 844478 | White | 2150153 | White | 33 2148549 | Bin, Door Shelf (2) |
| 989196 | Almond | 2150154 | Almond | 34 2148550 | Bin, Door Shelf (Deep) (2) |
| 2160808 | Black | 1120830 | Black | 35 1118001 | Hinge Pin, Center |
| 8 | Door Gasket, Magnetic | 19 2156245 | Interior Door Panel | 36 1105685 | End Cap Trim (2) |
| 2148565 | White And Black Models | 20 1122750 | Trim, Door Compartment Divider, | 37 1122711 | Door Dike, Center |
| 1122828 | Almond Model | 21 2160050 | Door Shelf | 38 1122709 | Door Dike, Side (2) |
| 9 | Screw | 22 2148807 | Compartment Door, Right Side | 39 2152335 | Divider, Bin |
| 489101 | (20) | 23 2148809 | Compartment Door, Left Side | 40 1122552 | Retainer, Gasket |
| 489287 | (8) | | | | |
| 489084 | (Repair) | | | | |
| 10 944157 | Handle End | | | | |

FOR ORDERING INFORMATION REFER TO PARTS PRICE LIST

FREEZER DOOR PARTS

For Models: ET22DKXAW04, ET22DKXAN04, ET22DKXAB04
(White) (Almond) (Black)



| Illus. No. | Part No. | DESCRIPTION | Illus. No. | Part No. | DESCRIPTION | Illus. No. | Part No. | DESCRIPTION | |
|------------|----------|--|------------|----------|----------------------|----------------|----------|--|------------------|
| 1 | | Panel, Freezer Door (Also Order Item 21) | 9 | | Screw | 19 | 991259 | Strip, Tape | |
| | 2159160 | White | | 489101 | (12) | 20 | 1122552 | Retainer, Gasket | |
| | 2159163 | Almond | | 489287 | (8) | 21 | 876029 | Kit, Foam Slab (Required When Replacing Exterior Door Panel) | |
| | 2161870 | Black | | 489084 | (Repair) | | | | |
| 2 | | Hole Plug (2) | 10 | 944163 | Handle End, Top | 22 | 1105685 | EndCap, Trim (4) | |
| | 534927 | White | 11 | 944157 | Handle End | 23 | 935074 | Shim, EndCap (Top) | |
| | 989197 | Almond | 12 | | Handle, Center | 24 | 489022 | Screw, 6-20 x 3/8 | |
| | 1110485 | Black | | 2162586 | White Model | 25 | | Insert, Handle | |
| 3 | 943185 | Plate, Tap (4) | | 2162693 | Almond Model | | 1108828 | White | |
| 4 | 944035 | Bracket, Door Stop | 13 | 943187 | Shim, Handle | | 1108830 | Almond | |
| 5 | 488921 | Screw, 8 x 1/2 | 14 | 943188 | Spacer, Handle Door | | 1114390 | Black | |
| 6 | 489028 | Screw | 15 | 1122575 | Interior Door Panel | 26 | 1123293 | Divider, Door Shelf (2) | |
| 7 | | Hole Plug | | 16 | 489006 | Screw, 8 x 5/8 | 27 | 1122553 | Retainer, Gasket |
| | 844478 | White | 16 | 2148555 | Trim, Door Shelf (2) | | | | |
| | 989196 | Almond | 17 | | Nameplate | | | | |
| | 2160808 | Black | | 2148544 | White Model | | | | |
| 8 | | Door Gasket Magnetic | | 2162698 | Almond Model | | | | |
| | 2148567 | White And Black Models | | 2162668 | Black Model | | | | |
| | 1122831 | Almond Model | | | | | | | |

FOR ORDERING INFORMATION REFER TO PARTS PRICE LIST