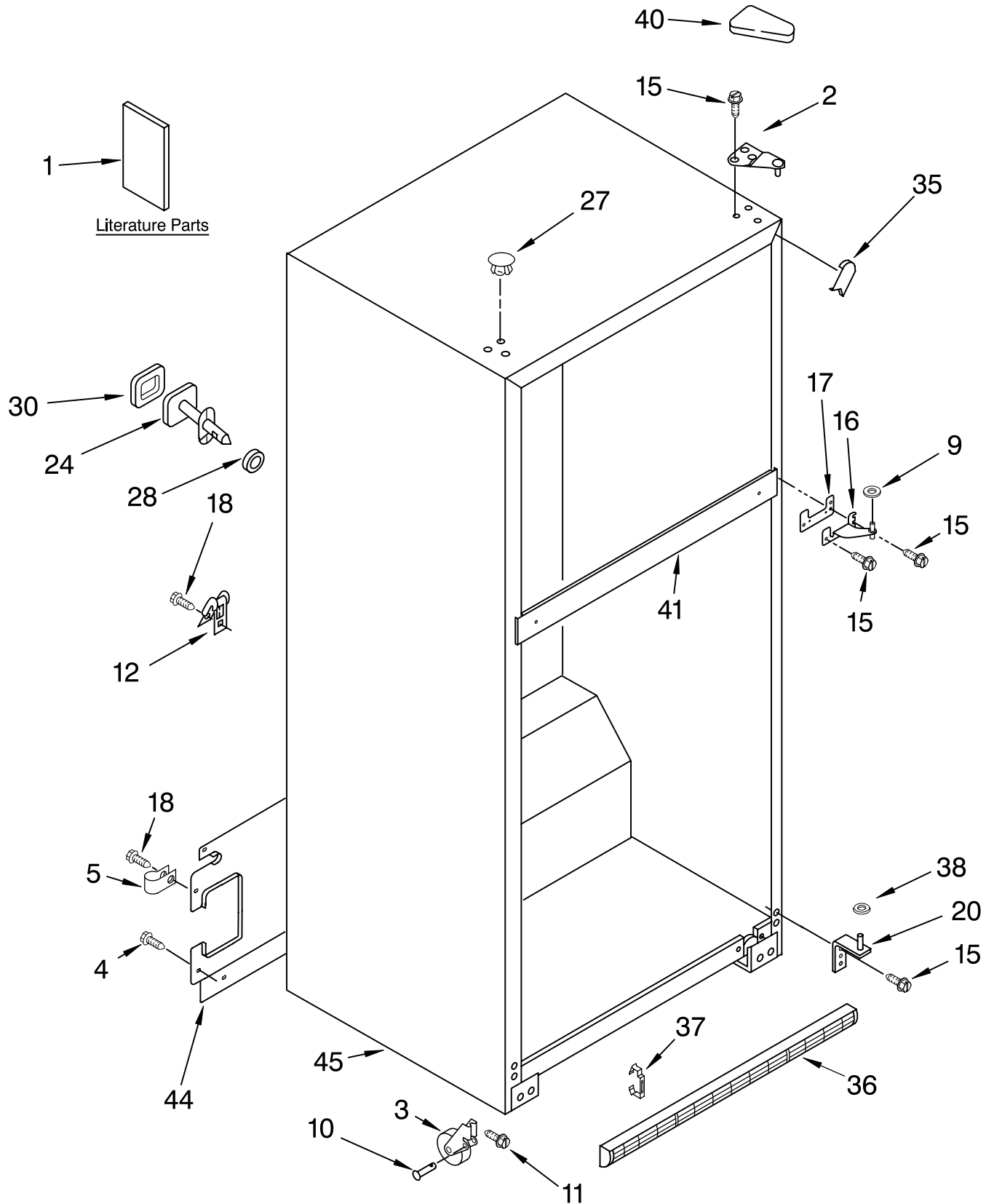




CABINET PARTS

REFRIGERATOR

For Models: ET1MHKXM02, ET1MHKXMT02, ET1MHKXMB02
(White) (Biscuit) (Black)



FOR ORDERING INFORMATION REFER TO PARTS PRICE LIST

CABINET PARTS

For Models: ET1MHKXM02, ET1MHKXMT02, ET1MHKXMB02
(White) (Biscuit) (Black)

Illus. No.	Part No.	DESCRIPTION	Illus. No.	Part No.	DESCRIPTION	Illus. No.	Part No.	DESCRIPTION
1		Literature Parts	10	2179826	Rivet	36		Grille
	2314273	Service & Wiring Sheet	11	3400504	Screw			(Includes Illus. 37)
	2302183	Energy Label	12	549193	Clamp, Cord		2254313	White
	2302037	Use & Care Guide	15	489497	Screw		2254316	Biscuit
	2225413	Customer Instructions	16	2183972	Hinge, Center		2254315	Black
			17	2183854	Shim, Hinge Center	37	2189356	Clip, Grille (2)
			18	8281265	Screw	38	487576	Washer
			20	2254473	Hinge Butt	40		Cover, Hinge
			24		Fitting, Water Tube (Not Serviced)		2213360	White
			27		Hole Plug (6)		2213364	Biscuit
				2201012	White		2213363	Black
				2200924	Biscuit	41		Rail, Center (Not Serviced)
				2183998	Black	44	2202884	Cover, Unit
			28		Seal, Front (Not Serviced)	45		Cabinet (Not a Serviceable Part)
			30		Seal, Rear (Not Serviced)			
			35		Corner Filler (2)			
				2201014	White			
				2200926	Biscuit			
				2201017	Black			

Following May Be Purchased

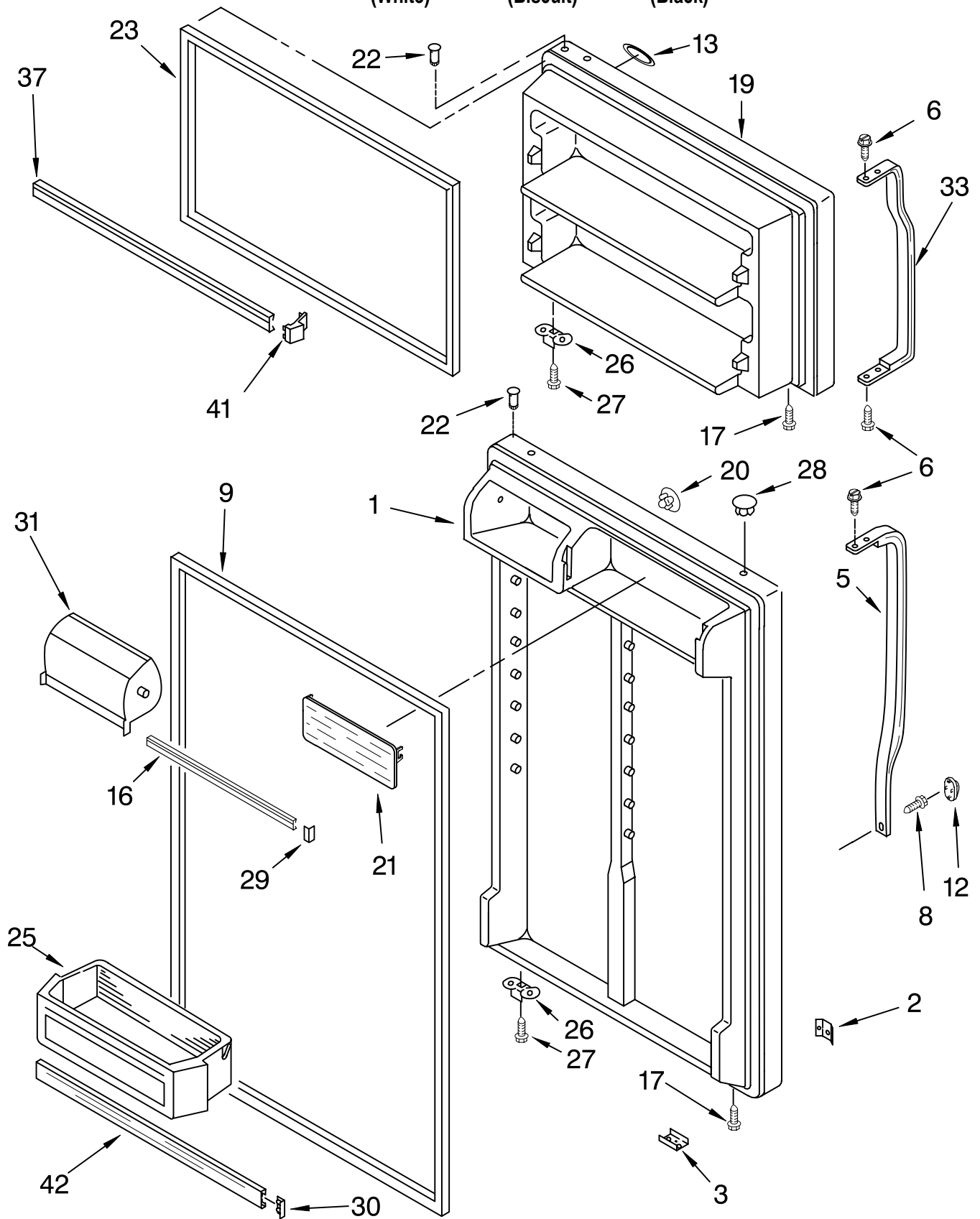
DO-IT-YOURSELF REPAIR MANUALS

677969 Do-It-Yourself Manual, Ref./Fzr.

- 2 2189410 Hinge (Top)
- 3 2166108 Roller, Front (2)
- 4 489427 Screw
- 5 489385 Clamp, Tube (Water Supply Line)
- 9 489341 Washer

DOOR PARTS

For Models: ET1MHKXM02, ET1MHKXMT02, ET1MHKXMB02
 (White) (Biscuit) (Black)



FOR ORDERING INFORMATION REFER TO PARTS PRICE LIST

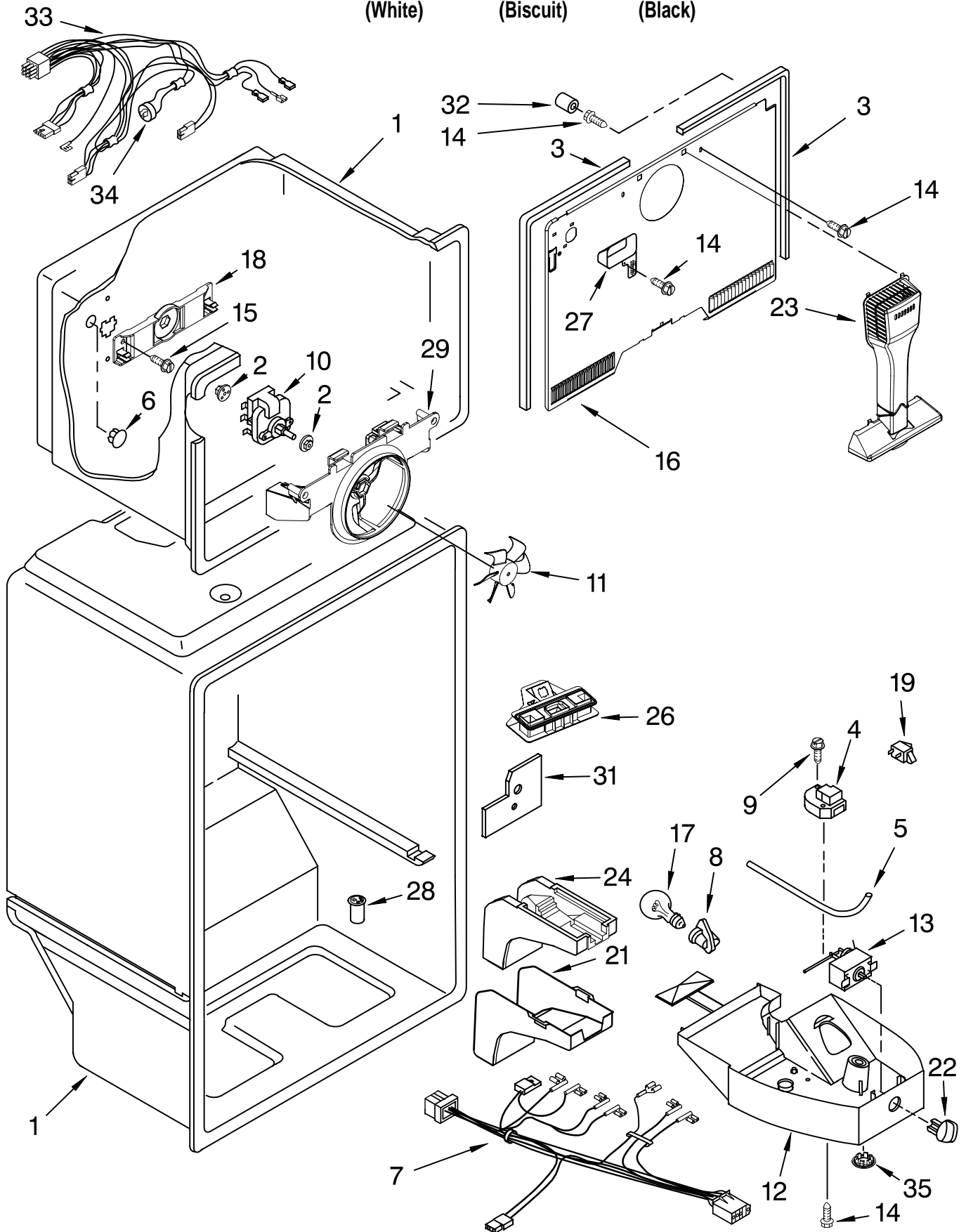
DOOR PARTS

For Models: ET1MHKXM02, ET1MHKXMT02, ET1MHKXMB02
(White) (Biscuit) (Black)

Illus. No.	Part No.	DESCRIPTION	Illus. No.	Part No.	DESCRIPTION	Illus. No.	Part No.	DESCRIPTION
1		Refrigerator Door (Includes Illus. 2,3,9 & 22)	13	2262218	Nameplate	25	2204812	Bin, Door Shelf
	2183920	White	16	2195378	Trim, Door Shelf	26	2189202	Bracket, Door Stop
	2205284	Biscuit	17	8281206	Screw	27	488921	Screw
	2200714	Black	19		Freezer Door (Includes Illus. 3,22 & 23)	28		Hole Plug
2	939101	Screw Anchor		2182489	White		2212648	White
3	2183198	Tap Plate		2204686	Biscuit		2212649	Biscuit
5		Handle, Refrigerator		2200711	Black		2212651	Black
	2202807W	White	20		Hole Plug, Handle	29	2156007	Plug, Trim
	2202807T	Biscuit		2189000	White	30	2156006	Plug, Trim
	2202807B	Black		2200936	Biscuit	31	2218118	Compartment Door Handle, Freezer
6	489357	Screw		2189009	Black	33	2202806W	White
8	8281146	Screw		2188236	Shelf, Flip-Up		2202806T	Biscuit
9		Door Gasket, Magnetic	21	2188236	Shelf, Flip-Up		2202806B	Black
	2202875	Mist Beige	22	2183003	Thimble	37	2195947	Trim, Door (2)
	2202882	Black	23		Door Gasket, Magnetic	41	2195916	Endcap, Trim (4)
12		Cover, Screw		2214967	Mist Beige	42	2195948	Trim, Door
	2202819W	White		2214969	Black			
	2202819T	Biscuit						
	2202819B	Black						

LINER PARTS

For Models: ET1MHKXMQ2, ET1MHKXMT02, ET1MHKXMB02
(White) (Biscuit) (Black)



FOR ORDERING INFORMATION REFER TO PARTS PRICE LIST

LINER PARTS

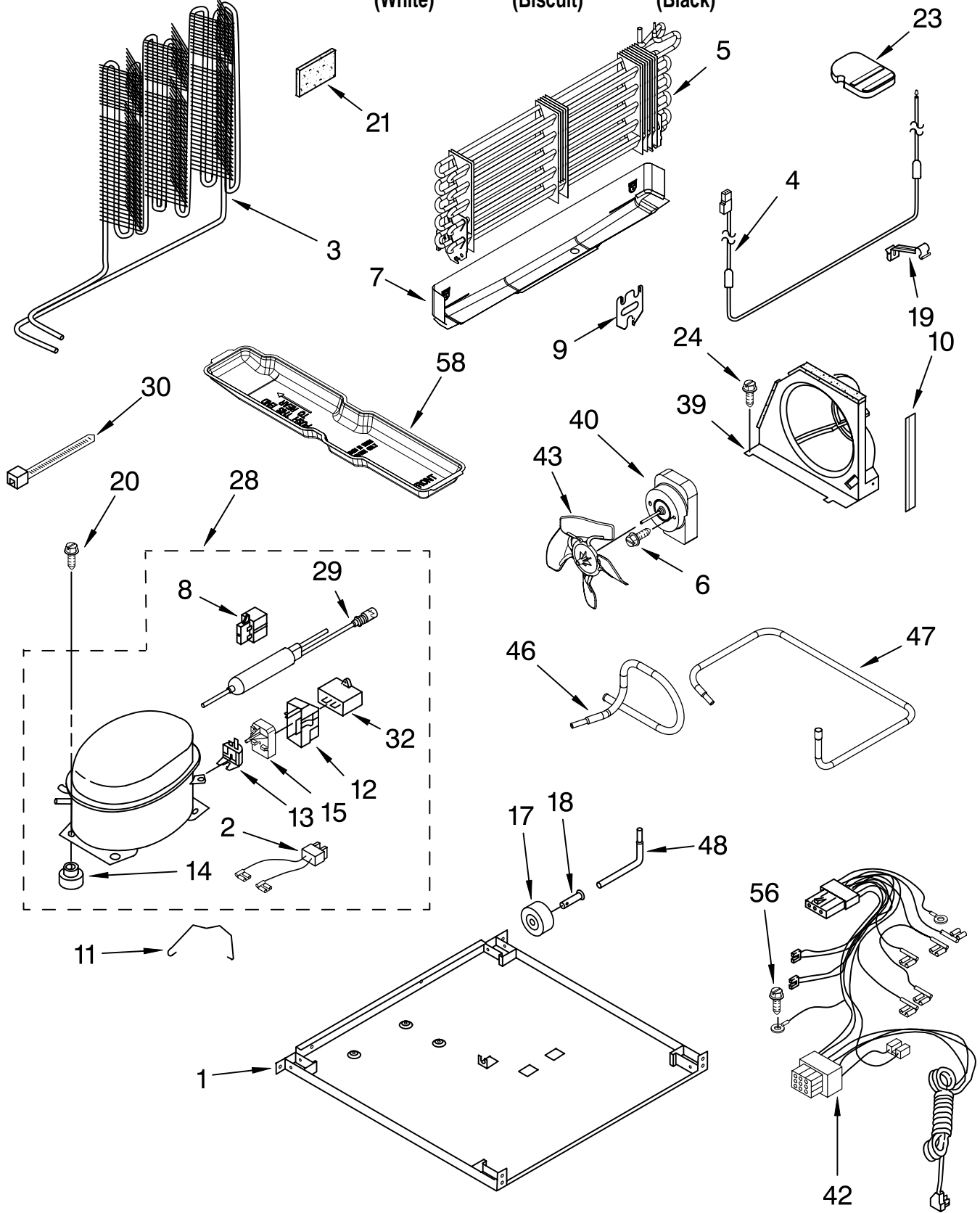
For Models: ET1MHKXMQ02, ET1MHKXMT02, ET1MHKXMB02
(White) (Biscuit) (Black)

Illus. No.	Part No.	DESCRIPTION
1		Liner (Not a Serviceable Part)
2	2197380	Grommet (2)
3	2254360	Gasket, Evaporator Cover (2)
4	2314156	Defrost Timer
5	2204640	Thermostat, Tube Barrier
6	941839	Hole Plug
7	2187885	Wire Assembly Control Box
8	2162085	Socket, Light
9	98129	Screw (2)
10	2214986	Fan Motor
11	2163777	Fan Blade
12	2218381	Control Box
13	2225460	Thermostat
14	489478	Screw
15	488208	Screw
16	2254263	Cover, Evaporator
17	2160708	Light Bulb
18	2254454	Bracket Evap. Fan, Rear
19	1118894	Switch, Rocker Arm
21	2176281	Cover, Air Diffuser
22	2202885	Knob, Thermostat
23	2254354	Air Tower
24	2189452	Air Diffuser, Bottom
26	2212439	Air Separator Assembly
27	2205003	Cover, Hole
28	2171931	Valve-Tube, Body
29	2254453	Bracket, Fan Motor
31	2204639	Shield, Heat
32	487996	Cap
33	2310043	Wire Assembly Freezer Compartment (Includes Item 34)
34	2314158	Defrost, BI-Metal
35	940014	Hole Plug, Control Box

FOR ORDERING INFORMATION REFER TO PARTS PRICE LIST

UNIT PARTS

For Models: ET1MHKXMQ02, ET1MHKXMT02, ET1MHKXMB02
(White) (Biscuit) (Black)



FOR ORDERING INFORMATION REFER TO PARTS PRICE LIST

UNIT PARTS

For Models: ET1MHKXM02, ET1MHKXMT02, ET1MHKXMB02
(White) (Biscuit) (Black)

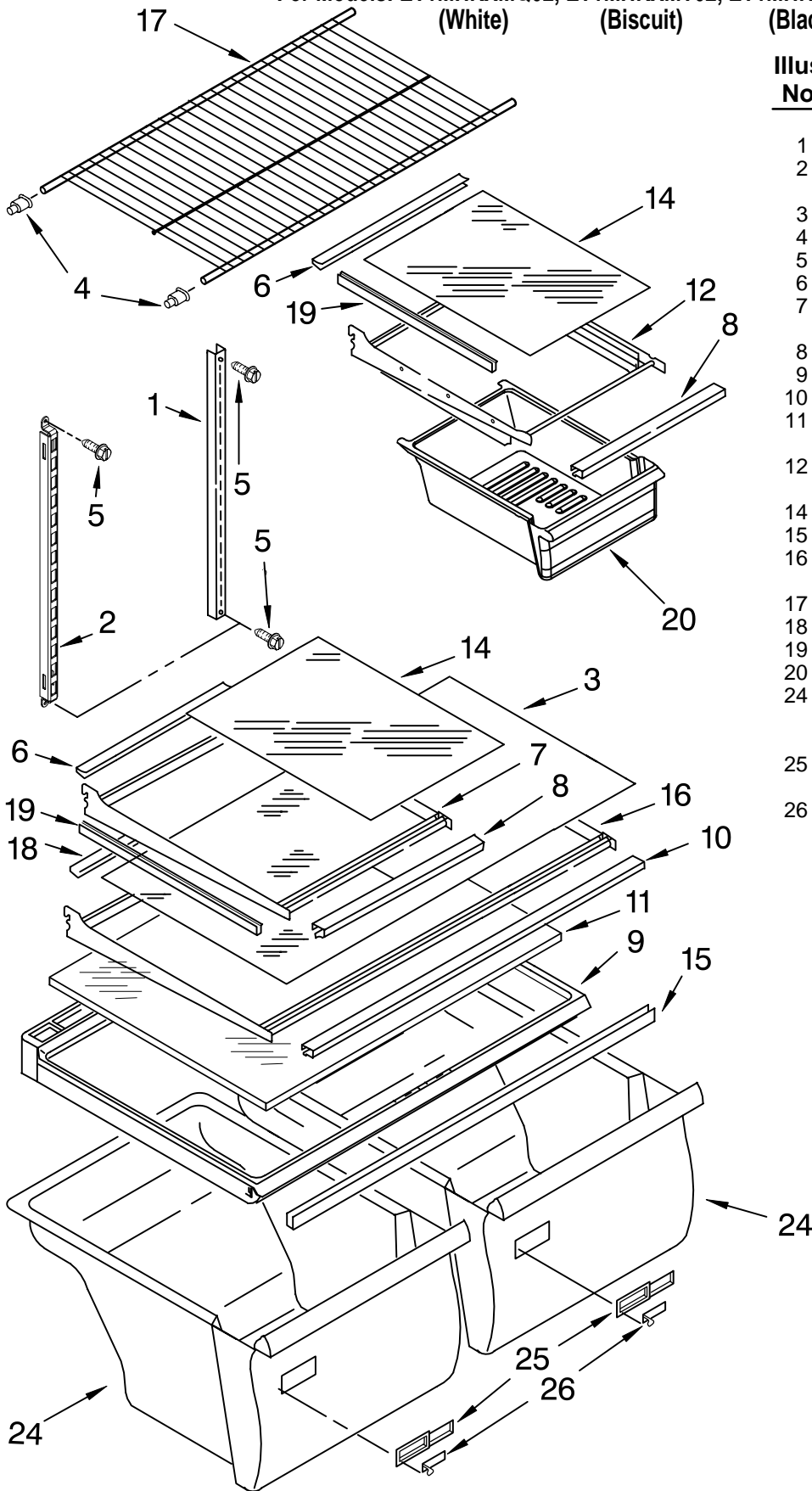
Illus. No.	Part No.	DESCRIPTION	Illus. No.	Part No.	DESCRIPTION	Illus. No.	Part No.	DESCRIPTION														
1	2225596	Plate, Unit Mounting	17	2150304	Roller (2)	<hr/> <p style="text-align: center;">Following Parts Not Illustrated and Optional Parts Not Included</p> <hr/> <table style="width: 100%;"> <tr> <td style="width: 150px;">978025</td> <td>Valve, Access (1/4")</td> </tr> <tr> <td>978026</td> <td>Valve, Access (5/16")</td> </tr> <tr> <td>978027</td> <td>Valve, Access (3/8")</td> </tr> <tr> <td>978028</td> <td>Valve, Access (1/2")</td> </tr> <tr> <td>978029</td> <td>Valve, Access (5/8")</td> </tr> <tr> <td>978030</td> <td>Valve, Access (3/4")</td> </tr> <tr> <td>876764</td> <td>Valve, Access (3/16")</td> </tr> </table> <hr/> <p style="text-align: center;">REFRIGERANT CHARGE</p> <hr/> <p style="text-align: center;">4.00 Ozs. (R134A)</p>			978025	Valve, Access (1/4")	978026	Valve, Access (5/16")	978027	Valve, Access (3/8")	978028	Valve, Access (1/2")	978029	Valve, Access (5/8")	978030	Valve, Access (3/4")	876764	Valve, Access (3/16")
978025	Valve, Access (1/4")																					
978026	Valve, Access (5/16")																					
978027	Valve, Access (3/8")																					
978028	Valve, Access (1/2")																					
978029	Valve, Access (5/8")																					
978030	Valve, Access (3/4")																					
876764	Valve, Access (3/16")																					
2	4387765	Wire Assembly (Service Only)	18	2221797	Rivet																	
3	2214960	Condenser	19	2182338	Clip, Heater																	
4	2314157	Heater, Defrost	20	489373	Screw																	
5	2221761	Evaporator Assy.	21	2169104	Insulation, Sound Dampening																	
6	8533859	Screw	23	2201185	Support Block																	
7	2254295	Drain Pan	24	3400518	Screw																	
8	2183454	Relay (Service Only)	28	2225833	Compressor (Includes Items 2,8,12,13,14, 29 & 32)																	
9	2176301	Bracket, Heater			Drier																	
10	2300638	Extension, Air Baffle	29		2199167 Production																	
11	2255113	Strap			4387019 Service																	
12	4387731	Cover (Service Only)	30	2155774	Clamp																	
13	4390624	Overload (Service Only)	32		Capacitor																	
14		Grommet (4)			2169373 Production																	
	1100826	Production			1118576 Service																	
	4387558	Service	39	2302249	Air Baffle																	
15	2225785	Start-Device Combination (Start Relay and Overload for Production Compressor Only)	40	2188874	Motor, Condenser																	
			42	2187382	Wire Assy, Unit																	
			43	2225834	Fan Blade																	
			46	2225564	Tube, Discharge																	
			47	2225565	Tube, Suction																	
			48	2154109	Tube, Process																	
			56	488500	Screw																	
			58	2300635	Tray, Evaporator																	



FOR ORDERING INFORMATION REFER TO PARTS PRICE LIST

SHELF PARTS

For Models: ET1MHKXMQ02, ET1MHKXMT02, ET1MHKXMB02
(White) (Biscuit) (Black)



Illus. No.	Part No.	DESCRIPTION
------------	----------	-------------

- | | | |
|----|----------|---------------------------------------|
| 1 | 2210522 | Shelf, Ladder (2) |
| 2 | 2300520 | Shelf, Ladder Center |
| 3 | 2200988 | Glass, Full Shelf |
| 4 | 2163762 | Cup, Shelf Mtg. |
| 5 | 489478 | Screw |
| 6 | 2188687 | Trim Shelf, Rear |
| 7 | 2201102E | Shelf, Cantilever |
| 8 | 2188685 | Trim, Shelf Front |
| 9 | 2210526 | Crisper Cover |
| 10 | 2188691 | Trim Shelf, Front |
| 11 | 2210573 | Insert, Crisper Cover |
| 12 | 2201106 | Pan Shelf, Cantilever |
| 14 | 2200987 | Glass, Shelf |
| 15 | 2163832 | Crisper Support |
| 16 | 2201104E | Shelf, Full Cantilever |
| 17 | 2189454 | Shelf, Freezer |
| 18 | 2188689 | Trim, Shelf Rear |
| 19 | 2188711 | Trim Shelf, Side |
| 20 | 2218132K | Pan, Meat |
| 24 | 2218141 | Crisper Pan (Includes Illus. 25 & 26) |
| 25 | 2212446 | Body, Humidity Control |
| 26 | 2176222 | Slide, Humidity Control |

FOR ORDERING INFORMATION REFER TO PARTS PRICE LIST

OPTIONAL PARTS

For Models: ET1MHKXMQ02, ET1MHKXMT02, ET1MHKXMB02
(White) (Biscuit) (Black)

Illus. No.	Part No.	DESCRIPTION
Parts Not Illustrated and Optional Parts (Not Included)		
	978941	Insulation, Fiberglass (63-1/2" x 35-1/2" x 2-5/8")
	212643	Sealer, Gum (4 Feet)
	479502	Tape, Vinyl (3/4" x 108")
	876305	Kit, Insulation (14 Pcs. 3" x 24" x 48")
	876370	Kit, Insulation (2 Pcs. 3" x 24" x 48")
	876029	Kit, Foam Slab (30" x 32-1/2" x 1-1/2")
	505587	Sealer, Mastic (1 Qt.)
	511873	Touch-Up, White Porcelain (2 Oz.)
	542638	Grease, Silicone (1/2 Oz.)
	542639	Cement, Alumilastic (1-1/4 Oz.)
	606755	Bag, Insulation (36-5/8" x 46")
	799833	Kit, Evaporator Repair (Aluminum Epoxy)
	799832	Kit, Porcelain Repair (White)
	503695	Cork Sealer (1/4 Pound)

Illus. No.	Part No.	DESCRIPTION
Customer Touch-Up Material		
	*350942	Primer, White (12 Oz. Spray Can)
	*350939	Enamel, Black (12 Oz. Spray Can)
	*350930	Enamel, White (12 Oz. Spray Can)
	*4392901	Enamel, Biscuit (12 Oz. Spray Can)
	72017	Brush Touch-Up Kit (White)
	72032	Brush Touch-Up Kit (Black)
	4392899	Brush Touch-Up Kit (Biscuit)
Refinishing Material		
	799340	Enamel, Black (1 Qt. Uncut)
	799344	Enamel, White (1 Qt. Uncut)
	4392900	Enamel, Biscuit (1 Qt. Uncut)
	833938	Kit, Terminal Connector
<p>*Important: The spray paint is not to be used where the paint may make contact with the door gaskets.</p>		

Illus. No.	Part No.	DESCRIPTION
ICE MAKER FIELD INSTALLABLE		
	2155469	ECKMF94
TORX SCREW WRENCH		
	1117510	Torx Key