

USER MANUAL FOR VUOLUX ELECTRIC SAUNA STOVE

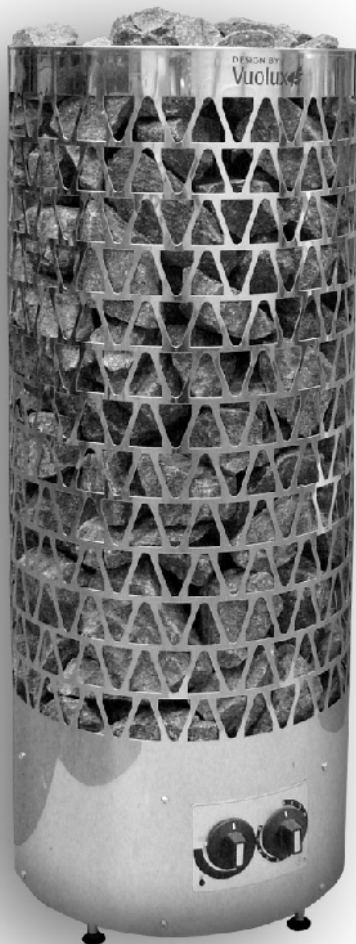
11400 Vuolux Kairo Tower 6 kW

11440 Vuolux Kairo Tower 8 kW

11460 Vuolux Kairo Tower 10,5 kW

11800 Vuolux Manhattan Tower 6 kW

11840 Vuolux Manhattan Tower 8 kW



CONTENTS

- 3 Introduction and installation of electric sauna stove
- 4 General installation instructions and directions for use
- 5 The sauna room and ventilation
- 5 Instructions for electrical installation
- 5 Troubleshooting
- 5 Warranty and contact information
- 6-8 Safety distances and wiring diagrams

The owner of the sauna stove or the person responsible for the sauna should keep this user manual!

Thank you for choosing Vuolux sauna stove! You will soon be able to enjoy your new Vuolux sauna stove, the heart of your sauna, developed respecting the old sauna traditions and utilising the latest manufacturing methods. We wish you many relaxing moments in your new Vuolux sauna!

Introduction and installation of electric sauna stove:

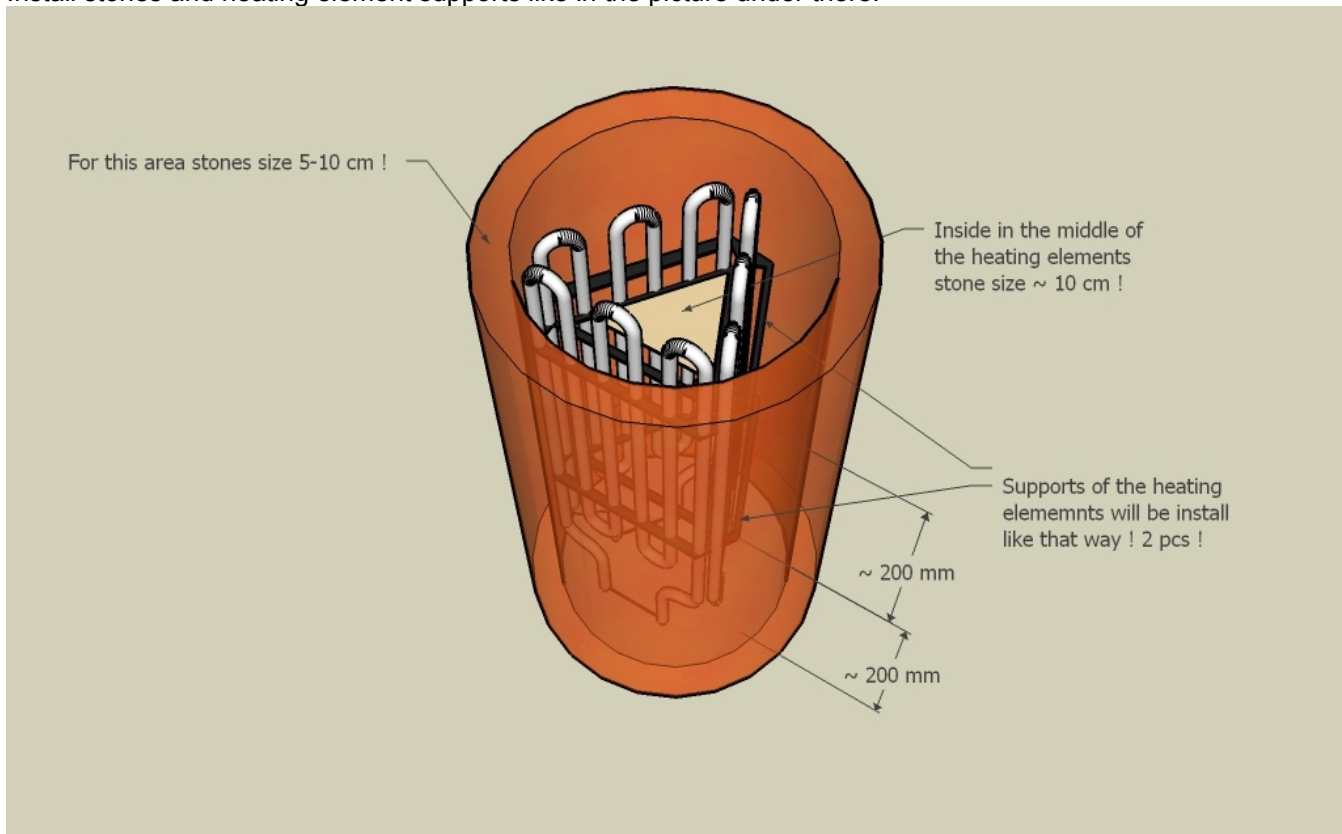
Vuolux sauna stove is suitable for family saunas, not public saunas. Please install only one (1) sauna stove in each sauna room. Using an electric sauna stove and a wood burning sauna stove in the sauna room at the same time is strictly prohibited!

Start the installation by removing the packaging from around the sauna stove
You will find the adjustable legs from the package.

If your sauna stove has a built-in timer, we recommend that an electrician installs the connections before you mount the sauna stove.

Mount the sauna stove on the floor. Check the minimum safety distances!
The safety distances are distances to an inflammable structural element and you can halve the distances when necessary by using incombustible protective plates. For further information, please contact the manufacturer.

Install stones and heating element supports like in the picture under there:



You should preheat the sauna stove twice (for around 45 minutes each time) before you start using it. Ventilate the sauna room between the pre-heating and allow the stove to cool thoroughly. Do not use water when preheating the sauna stove. We recommend using room temperature water on the stones. Always preheat the sauna under supervision! The stones may get stained depending on the quality of the sauna water.

When mounting the sauna stove, make sure that controlling and using the sauna stove is as easy as possible.

Please read through the general installation instructions and directions for use!

General installation instructions and directions for use

Timer

Vuolux sauna stoves are delivered with a built-in timer in the lower part of the stove.

The timer works as the main switch (8+4 hours). The power is automatically switched off after the regulated time. You can switch the sauna stove on at a pre-selected time of one (1) to eight (8) hours. The sauna stove stays switched on for a maximum of four (4) hours.

Example 1: When you want to switch the stove on immediately, simply turn the timer knob to the desired position between 1 and 4.

Example 2: When you wish to have a sauna after a certain time (e.g. after a jog), you can estimate when you wish the sauna to be ready. If you want to have a sauna in two hours' time, turn the timer knob past the scale of 1-4 to the pre-selected time position 1. The timer is switched on and the power will be switched on after one hour and the sauna will start heating up. The sauna will be ready in about two hours.

When the stove has been switched on, it will stay on for a maximum of four (4) hours. You can switch the power off earlier by turning the time knob to position zero (0).

Please make sure that the timer has switched the power off after the selected time! You should also check the timer after thunderstorms.

Adjusting the temperature

The sauna stove preheats in about 45 minutes. The size, structure and thermal insulation of the sauna room all affect the preheating time significantly. An uninsulated 1 m² surface increases the required output of the sauna stove as much as an additional 1.5 m³ would. The effect of the sauna stove must however always correspond to the recommended cubic volume of the sauna room, the above-mentioned additions included.

The desired temperature can be selected with the thermostat dial and the thermostat keeps it at the desired level. The temperature limit control switches the stove off should there be any risk of overheating. You can switch the stove back on by pressing the reset button of the temperature limit control (located next to the thermostat knob). Always examine the reason for the overheating before you turn the stove back on!

Adjust the hot steam by splashing water onto the stones. We recommend using room temperature water.

Always check the sauna room before you switch the stove on!

The sauna room and ventilation

Correct ventilation is very important for pleasant sauna baths. The following recommendations are currently in force for sauna rooms with electric stoves:

The fresh air ventilator should be placed at least 50 cm above the sauna stove. The exhaust air ventilator should be placed as far from the stove as possible and close to the edge of the floor. You can also lead the exhaust air to the shower room from under the door to the sauna room (as long as the gap is at least 5 cm high). This alternative works well when you use mechanical air conditioning. The diameter of the ventilation pipes should be between 50 and 100 mm and the exhaust vent should be bigger than the fresh air vent.

Instructions for electrical installations

The sauna stove can only be connected to the power supply by an authorised electrician in accordance with the applicable regulations. The connecting cable must be a rubber cable type H07RN-F. Never use a PVC cable in a sauna stove!

Connect the stove semi-permanently to the junction box. The junction box must be splash-proof and it must not be installed higher than 50 cm from the floor. The thermostat knob is located in the lower part of the stove. Please see pages 10-11.

Additional connections:

1. Connecting the signal light outside the sauna room

The connecting cable must be of type H07RN-F, with the same circumference as the connecting cable of the stove (see wiring diagrams on pages 10-11).

2. Connecting electrical heating with the sauna stove

Run the control cable for electrical heating directly into the junction box of the sauna stove, and from there to the terminal blocks of the sauna stove along a rubber cable with the same thickness as that of the connection wire (see wiring diagrams on pages 10-11).

Troubleshooting

If the sauna stove does not heat, check the following:

- Has the power been switched on?
- Has the timer been switched on to a section where the sauna stove should be heated?
- Does the thermostat show a higher figure than the temperature of the sauna?
- Has the timer stopped/got stuck? The timer knob can only move freely if there is a gap of 1-2 mm between the timer knob and the front panel of the timer.
- Has the temperature limit control cut the power off? Reset the temperature limit control by pressing the hole next to the thermostat knob until you hear a clicking sound. Always check the reason for the overheating before you turn the stove back on!

For additional information, please contact your dealer or the manufacturer!

Vuolux Oy warrants its electric sauna stoves for one (1) year from the date of purchase. Please retain the sales receipt as you will need it for any warranty service. The warranty is valid only for sauna stoves in private use.

Manufacturer's contact information:

Vuolux Oy
Pajatie 5
85500 NIVALA
FINLAND

Tel. +358-44-3243100

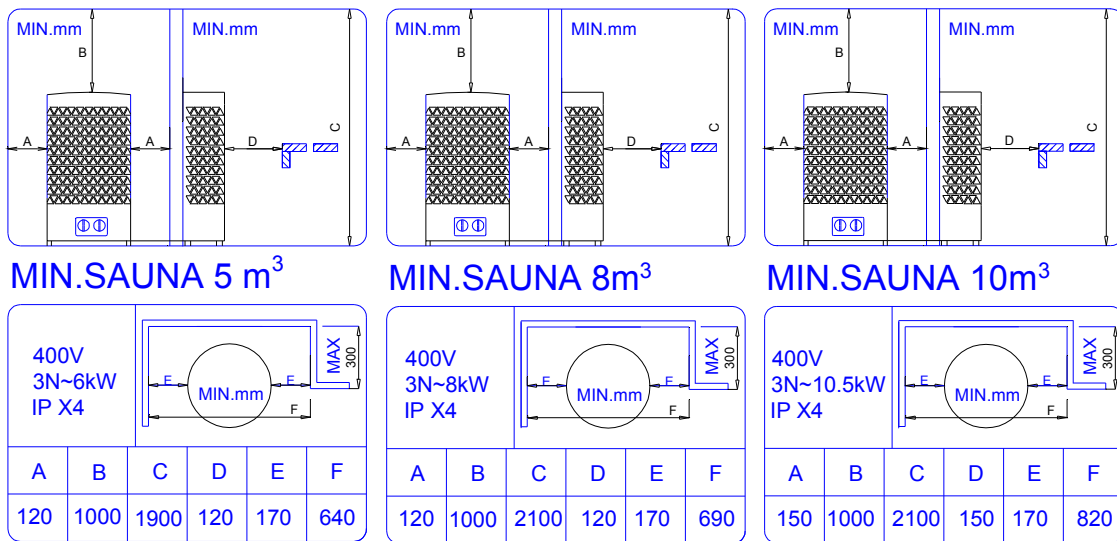
vuolux@vuolux.fi
www.vuolux.fi

SAFETY DISTANCES

The safety distances are distances from the sauna stove to flammable surfaces. It is absolutely necessary to ensure that the installation is carried out according to the safety distances.

If you install the sauna stove in a wall recess, you must follow the instructions given about minimum safety distances (see picture below).

The safety distance is measured from the widest/deepest/highest point.



Vuolux 6 Kw

Vuolux 8 kW

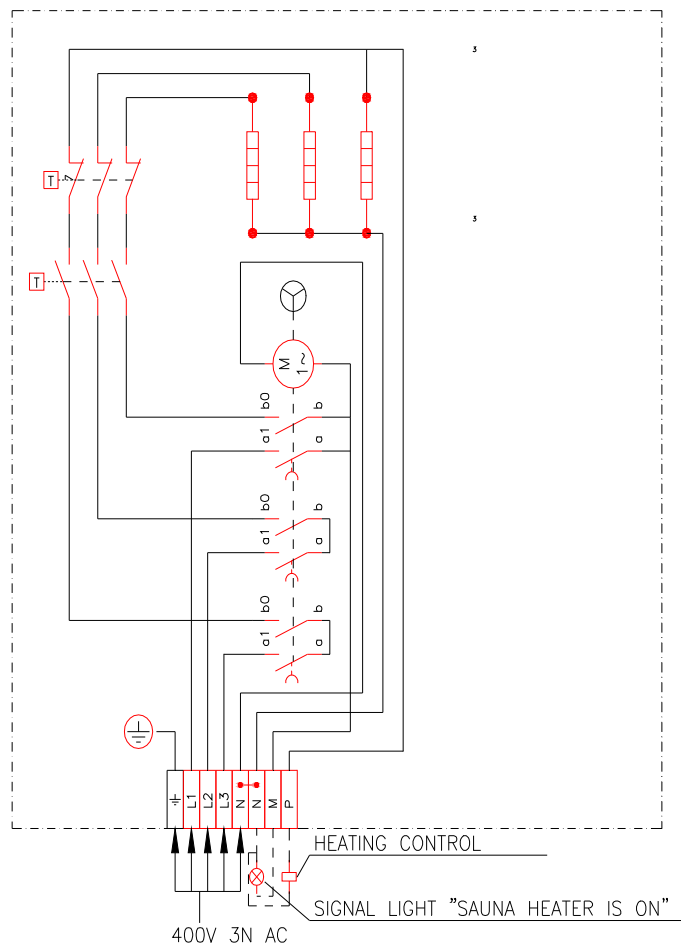
Vuolux 10.5 kW

WIRING DIAGRAM**Built-in timer**

Vuolux	6.0
Output	6 kW
Voltage	400 V 3N
Connecting cable	5 x 1.5 S
Fuse	10A
Output / resistor	2 kW

Vuolux	8.0
Output	8 kW
Voltage	400 V 3N
Connecting cable	5 x 2.5 S
Fuse	16A
Output/resistor	2.7 kW

Vuolux	10.5
Output	10,5 kW
Voltage	400 V 3N
Connecting cable	5 x 2,5 S
Fuse	16A
Output/resistor	3,5 kW

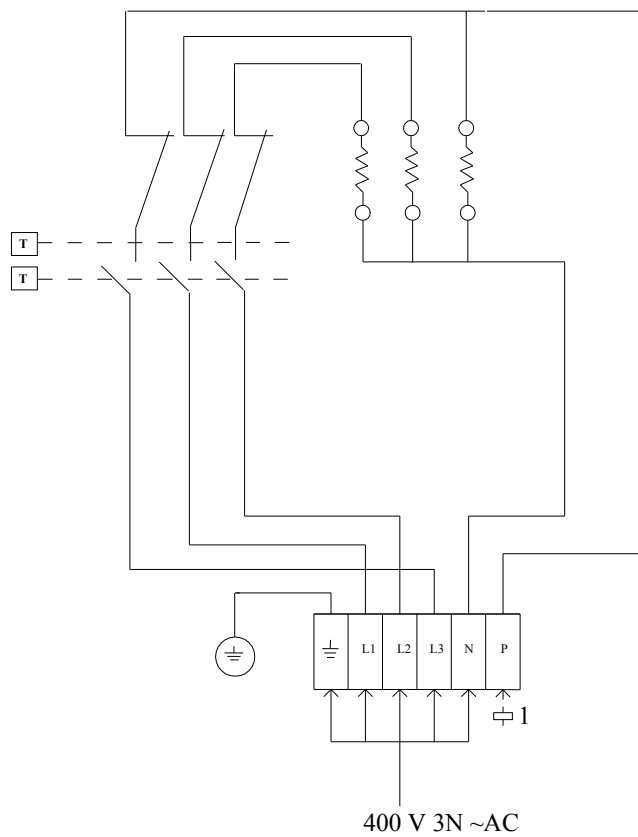


WIRING DIAGRAM**Separate timer**

Vuolux	6.0
Output	6 kW
Voltage	400 V 3N
Connecting cable	5 x 1.5 S
Fuse	10A

Vuolux	8.0
Output	8 kW
Voltage	400 V 3N
Connecting cable	5 x 2.5 S
Fuse	16A

Vuolux	10.5
Output	10,5 kW
Voltage	400 V 3N
Connecting cable	5 x 2,5 S
Fuse	16A



1= heating control