

DGM
by DIGIMATE



20" LCD Display

LTV-2004

User's Manual

Safety Instructions

Power:

This set operates on a DC power adapter which connects to an AC mains supply. The voltage of the AC mains supply is as indicated on the label on the back cover. In the event of thunderstorms or power-cuts, please pull out the antenna and mains plugs.

Warning:

To prevent fire or shock hazard, do not expose the set to rain or moisture. Do not rub or strike the Active Matrix LCD with anything hard as this may scratch, mar, or damage the Active Matrix LCD permanently.

TV Antenna:

Connect the antenna cable to the TV Antenna port. For the best reception, an outdoor antenna should be used.

Location:

Position your set so that no bright light or sunlight falls directly onto the screen. Care should be taken not to expose the set to any unnecessary vibration, moisture, dust or heat. Also ensure that the set is placed in a position to allow a free flow of air. Do not cover the ventilation openings on the back cover.

Cleaning:

Unplug the set before cleaning the face of the LCD Screen. Dust the set by wiping the screen and the cabinet with a soft, clean cloth. If the screen requires additional cleaning, use a clean, damp cloth. Do not use liquid cleaners or aerosol cleaners.

Service:

Never remove the back cover of the set as this can expose you to very high voltage and other hazards. If the set does not operate properly, unplug it and call your dealer.

Turning this TV on/off (stand-by mode)

Before turning on your TV, make sure the mains lead is properly plugged into an appropriate AC wall socket.

1. To turn on your TV, press the **POWER** button on the TV set or on the remote control.
2. The LED indicator turns green (about 5 seconds) and this TV set turns on.
3. While the TV set is on, it will turn the TV set into stand-by mode by pressing the **POWER** button again, and the LED indicator will turn amber.



Do not leave your set in stand-by mode for a long period of time. If you will be away for long on holiday, turn your set completely off by unplugging from the mains lead and antenna.

Contents

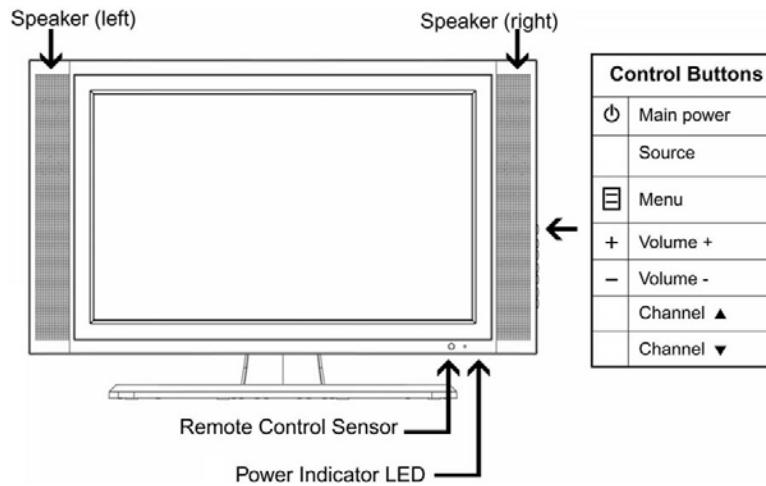
Safety Instructions	2
Turning this TV on/off (stand-by mode)	2
Overview of this TV	4
Accessories.....	4
Front View of this TV.....	4
Screen Vertical Tilting.....	4
Rear View of this TV	5
Remote Control.....	6
OSD Menu	7
OSD Main Menu.....	7
Choosing OSD Language.....	7
OSD Menu in SCART Mode (SCART AV, SCART S-Video and SCART RGB).....	7
OSD Menu in Component Mode (YCbCr and YPbPr)	8
OSD Menu in PC DVI Mode.....	8
OSD Menu in TV Mode.....	9
Channel Settings in TV Mode.....	10
Auto-Search of TV Channels.....	10
Manual-Search of TV Channels.....	10
A. Fine-Tuning TV Channel Frequency	10
B. Deleting TV Channels	11
C. Changing the Name of TV Channels	11
Swapping the TV Channel	11
CANAL+ Function	11
Basic Trouble-Shooting	12
Specifications.....	13
Technical and Environmental Specifications.....	13
Displayable Specifications.....	14

Overview of this TV

Accessories

- Remote control x 1;
- AC power cord x 1;
- Power Adapter (12V, 5A) x 1;
- This user manual.

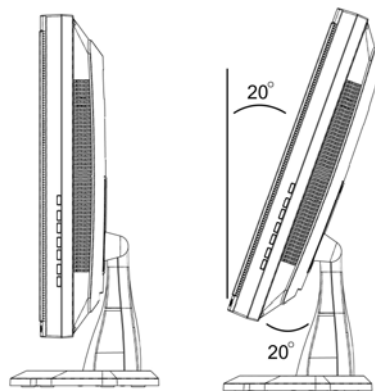
Front View of this TV



Control buttons on the right side of this TV set have the same functions as of the same buttons on the remote control. Basically, this operation manual provides a description based on operation with the remote control.

The Power indicator LED will become green when the TV set is on, amber when the TV set is in stand-by mode.

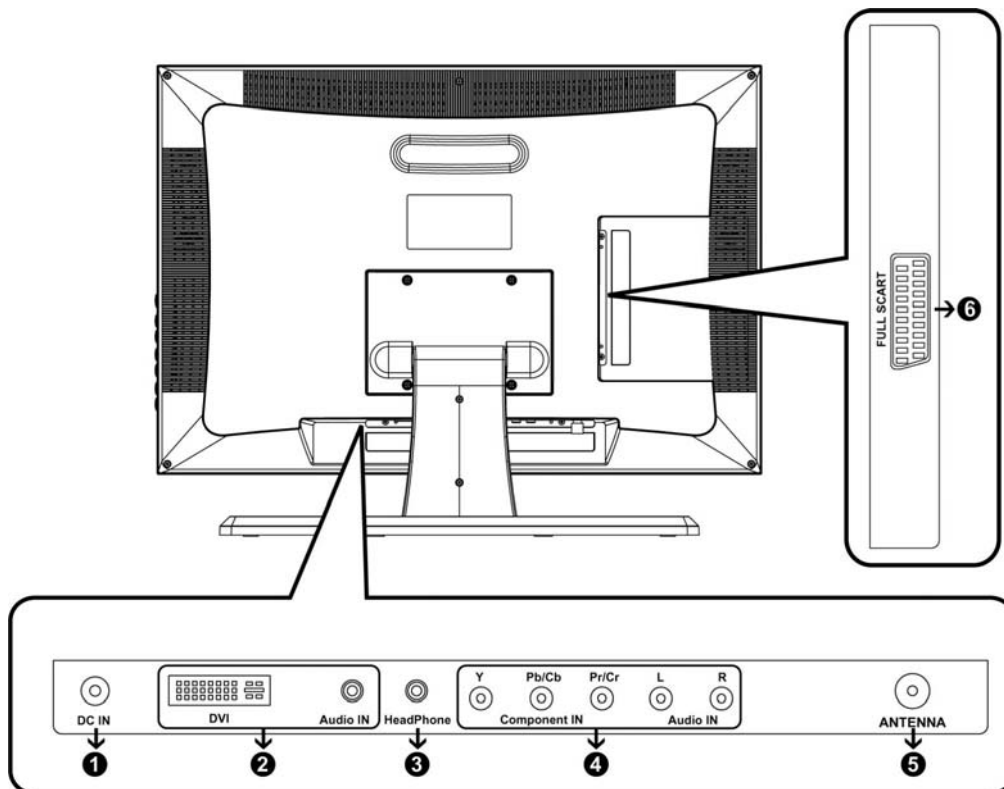
Screen Vertically Tilting



The TV screen could vertically tilt up to 20 degree. Adjust the angle so that you could watch the program picture playing on the TV screen most comfortably.

Overview of this TV

Rear View of this TV



(1) DC IN: connection to power adapter (DC 12V) (5A min.)

Use the supplied power adapter and power cord to do the connection.

(2) DVI input (29-pin):

Connect DVI cable between the TV and your PC. Connect the audio cable between the TV and your PC.

(3) HeadPhone: Plug the headphone mini-plug into the Headphone jack on the TV set.

Note: While the headphone is connected, the TV set's built-in speakers will be automatically disabled.

(4) Component IN: for YCbCr/YPbPr input signals (auto-detection between YCbCr and YPbPr signals)

Connect the component video cables to each of the Y, Pb/Cb, Pr/Cr connectors on the TV and DVD.

Connect the component audio cables to "L" (white) and "R" (red) on the TV and the DVD.

(5) ANTENNA: Connection for TV channel signal received from an antenna and/or cable television network.

(6) FULL SCART: auto-detection between SCART AV, SCART S-Video and SCART RGB

Connect the SCART cable between the SCART connector of the TV set and the external devices (DVD, VCR, or VCD).

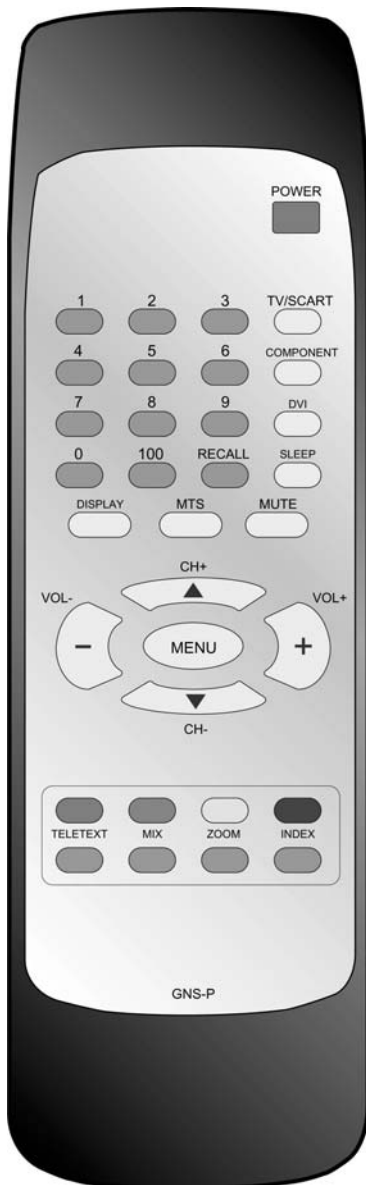
Note:

(1) Make sure you already select a correct source mode to receive input signals from different connections.

(2) Whenever you are making the connection, ensure that all devices (including this TV set) are switched off. Refer to the documentation supplied with your external devices for detailed connection instructions and associated safety precautions.

Remote Control

When using the Remote Control, aim it at the Remote Control sensor of this TV. Please make sure the batteries are correctly installed in the remote control.



Power: switch the TV on (from stand-by mode) or off to stand-by mode

TV/SCART: switch between TV and SCART signal source

COMPONENT: change signal source to component YPbPr or YCbCr

DVI: change signal source to DVI

RECALL: jump to the last TV channel visited

SLEEP: switch the TV auto-off after a certain period of time

DISP: display current input signal source

display the channel information (in TV mode)

MTS: select MTS mode (Mono, Stereo, SAP)

MUTE: switch the sound on or off

CH+/CH-: select the channel/menu item up/down

MENU: enter/exit OSD menu

VOL+: Volume up / increase the function value of OSD-menu item / enter the sub-menu of selected menu-item

VOL-: Volume down / decrease the function value of OSD-menu item / enter the sub-menu of selected menu-item

Page Index Buttons: use the **Red, Green, Yellow, and Blue** buttons to follow the page index instructions listed in corresponding colors on the TeleText page

TELETEXT: enter or exit the TeleText pages

MIX: switch between the Mix and Text modes

ZOOM: zoom-out the current TeleText page

INDEX: get back to the main page of TeleText (page 100)

OSD Menu

OSD Main Menu

In each different source mode, press the **Menu** button on the remote control to activate OSD menu. Use CH+/CH- (▲/▼) buttons to select items in the menu. Use VOL+/- (+/-) buttons to enter the sub-menu of selected item. Use CH+/CH- (▲/▼) buttons to select items in the sub-menu, and use VOL-/VOL+ (+/-) to change the function value of selected items. After adjusting, press the **Menu** button to exit current OSD menu (sub-menu).

Choosing OSD Language

1. Press Menu button to display OSD Main Menu.
2. Press CH+/CH- buttons to select **System**.
3. Press VOL+/- buttons to enter **System** sub-menu.
4. Press CH+/CH- buttons to select Language.
5. Press VOL+/- buttons to select between different languages (English/French/Spanish/German/Italian).

OSD Menu in SCART Mode (SCART AV, SCART S-Video and SCART RGB)

1. Video sub-menu:

- **Contrast:** 0 ~ 100
- **Brightness:** 0 ~ 100
- **Colour:** -50 ~ 50
- **Video Mode:** Normal, Natural, Cinema, Sport, Vivid
- **Sharpness:**
 - **Sharpness:** 0 ~ 100
 - **Border Effect** (the sharpness of the shape of each object): 0~100
- **User RGB:**
 - **Red:** 0 ~ 100
 - **Green:** 0 ~ 100
 - **Blue:** 0 ~ 100
- **Reset** (Factory Default setting): No, Yes

2. Audio sub-menu:

- **Volume:** 0 ~ 100
- **Bass:** 0 ~ 100
- **Treble:** 0 ~ 100
- **Balance:** -50 (Left) ~ 50 (Right)
- **Audio Mode:** User (to recall your own setting), Preset (Factory Default setting), Soft (a softer setting)
- **Advanced:**
 - **Auto Volume Control** (This feature maintains an equal volume level; even if you change channels/programs): Off, On
 - **Spatial Effect** (surrounding effect): Off, On
 - **Speakers:** Mono, Stereo

3. System sub-menu:

- **Language:** English, French, Spanish, German, Italian
- **Colour System:** Auto, PAL, SECAM, NTSC
- **SCART Auto** (switch to SCART mode, whenever a SCART input signal is received): On, Off
- **Sleep Timer:**
 - **Timer:** 0~90 minutes
 - **Status:** Off, On

OSD Menu in Component Mode (YCbCr and YPbPr)

1. Video sub-menu:

- **Contrast:** 0 ~ 100
- **Brightness:** 0 ~ 100
- **Colour:** -50 ~ 50
- **Sharpness:** 0 ~ 100
- **Video Mode:** Normal, Natural, Cinema, Sport, Vivid
- **Reset (Factory Default setting):** No, Yes

2. Audio sub-menu:

- **Volume:** 0 ~ 100
- **Bass:** 0 ~ 100
- **Treble:** 0 ~ 100
- **Balance:** -50 (Left) ~ 50 (Right)
- **Audio Mode:** User (to recall your own setting), Preset (Factory Default setting), Soft (a softer setting)
- **Advanced:**
 - **Auto Volume Control** (This feature maintains an equal volume level; even if you change channels/programs): Off, On
 - **Spatial Effect** (surrounding effect): On, Off
 - **Speakers:** Mono, Stereo

3. System sub-menu:

- **Language:** English, French, Spanish, German, Italian
- **Colour System:** Auto, PAL, SECAM, NTSC
- **SCART Auto** (switch to SCART mode, whenever a SCART input signal is received): On, Off
- **Sleep Timer:**
 - **Timer:** 0~90 minutes
 - **Status:** On, Off

OSD Menu in PC DVI Mode

1. Video sub-menu:

- **Contrast:** 0 ~ 100
- **Brightness:** 0 ~ 100
- **Sharpness:** 0 ~ 100
- **Color Temperature:** User, Cool, Natural, Warm, sRGB
- **User RGB:**
 - **Red:** 0 ~ 100
 - **Green:** 0 ~ 100
 - **Blue:** 0 ~ 100
- **Reset (Factory Default setting):** No, Yes

2. Audio sub-menu:

- **Volume:** 0 ~ 100
- **Bass:** 0 ~ 100
- **Treble:** 0 ~ 100
- **Balance:** -50 (Left) ~ 50 (Right)
- **Audio Mode:** User (to recall your own setting), Preset (Factory Default setting), Soft (a softer setting)
- **Advanced:**
 - **Auto Volume Control** (This feature maintains an equal volume level; even if you change channels/programs): On, Off
 - **Spatial Effect** (surrounding effect): Off, On
 - **Speakers:** Mono, Stereo

3. System sub-menu:

- **Language:** English, French, Spanish, German, Italian
- **Colour System:** Auto, PAL, SECAM, NTSC
- **SCART Auto** (switch to SCART mode, whenever a SCART input signal is received): On, Off
- **Sleep Timer:**
 - **Timer:** 0~90 minutes
 - **Status:** On, Off
- **Timing:** display the current timing information of PC DVI signal

OSD Menu in TV Mode

1. Video sub-menu:

- **Contrast:** 0 ~ 100
- **Brightness:** 0 ~ 100
- **Colour:** -50 ~ 50
- **Video Mode:** Normal, Natural, Cinema, Sport, Vivid
- **Sharpness:**
 - **Sharpness:** 0 ~ 100
 - **Border Effect** (the sharpness of the shape of each object): 0~100
- **User RGB:**
 - **Red:** 0 ~ 100
 - **Green:** 0 ~ 100
 - **Blue:** 0 ~ 100
- **Reset** (Factory Default setting): No, Yes

2. Audio sub-menu:

- **Volume:** 0 ~ 100
- **Bass:** 0 ~ 100
- **Treble:** 0 ~ 100
- **Balance:** -50 (Left) ~ 50 (Right)
- **Audio Mode:** User (to recall your own setting), Preset (Factory Default setting), Soft (a softer setting)
- **MTS:** Mono, Stereo, SAP
- **Advanced:**
 - **Auto Volume Control** (This feature maintains an equal volume level; even if you change channels/programs): Off, On
 - **Spatial Effect** (surrounding effect): Off, On

3. System sub-menu:

- **Language:** English, French, Spanish, German, Italian
- **Colour System:** Auto, PAL, SECAM, NTSC
- **SCART Auto** (switch to SCART mode, whenever a SCART input signal is received): On, Off
- **Sleep Timer:**
 - **Timer:** 0~90 minutes
 - **Status:** Off, On

4. Channel Settings: Please refer to “Channel Settings in TV Mode” starting from page 10.

Channel Settings in TV Mode

Auto-Search of TV Channels

Make sure that you have subscribed to the TV/CATV network in your area and have got your connection to the network ready. This Auto-Search action perhaps lost some channel by first time, please re-scan to complete searching.

This TV set supports PAL B/G, PAL I/I, PAL D/K and SECAM L/L TV systems. You don't have to select between these 4 different TV systems, this TV set will auto-detect the existing TV signals.

Now we can proceed with Auto-Search process.

1. Press TV/SCART button to switch your TV set to TV mode.
2. Press MENU button to activate the OSD menu.
3. Press CH+/CH- buttons to select **Channel Settings**.
4. Press VOL+/- buttons to enter **Channel Settings** sub-menu and press CH+/CH- buttons to select **Auto Search**.
5. Press VOL+/- buttons to select **Yes** to start the Auto-Search process.
Note: If you want to interrupt the Auto-Search process, press VOL+/- buttons again.
6. When the Auto-Search process is completed, this TV set will automatically show the first TV channel among all the channels which are searched. On the OSD menu, you can see in "CH Count" the total channels which are received.
7. Press MENU button to exit the OSD menu and enjoy your TV programs.

Manual-Search of TV Channels

You can make use of Manual-Search function to adjust and/or fine-tune the TV channels which are received during Auto-Search process.

1. In TV mode, select the TV channel which you want to adjust and/or fine-tune.
2. Press MENU button to activate the OSD menu.
3. Press CH+/CH- buttons to select **Channel Settings**.
4. Press VOL+/- buttons to enter **Channel Settings** sub-menu and press CH+/CH- buttons to select **Manual Search**.
5. Press VOL+/- buttons to enter **Manual Search** sub-menu.

A. Fine-Tuning TV Channel Frequency

- **Channel Number**: the current TV channel number. You can press VOL+/- buttons to move to another TV channel (and channel number)
- **Frequency (MHz)**: the current frequency of the selected TV channel. If the current frequency is not correct, press VOL+/- buttons to adjust the frequency.
- **Launch Search**: You can also use "Launch Search" function to adjust the current frequency of the selected TV channel. Press CH+ (CH-) button to switch to a higher (lower) frequency which can be received.
- **System**: You can see the current TV system. If the TV system is not correct, press VOL+/- button to select a different TV system. (This TV set supports only PAL B/G, PAL I/I, PAL D/K and SECAM L/L TV systems. Other TV system is not available.)

Note: After Fine-Tuning, please press **MENU** button and then CH+/CH- buttons to select **Save**, then press VOL+/- buttons to select **Yes** to save the adjustment.

B. Deleting TV Channels

1. In TV mode, select the TV channel which you want to delete.
2. In **Manual Search** sub-menu, press CH+/CH- buttons to select **Skip**.
3. Press VOL+/- buttons to select **Yes**.
4. Press **MENU** button and then CH+/CH- buttons to select **Save**, then press VOL+/- buttons to select **Yes** to save the deleting.

C. Changing the Name of TV Channels

1. In TV mode, select the TV channel which you want to change the name.
2. In **Manual Search** sub-menu, press CH+/CH- buttons to select **Name**.
3. Press VOL+/- buttons to enter **Name** sub-menu. You can input the new name of this TV channel with at most 8 digits (0~9), alphabets (A~Z) or symbols (+, -).
4. Press **MENU** button and then CH+/CH- buttons to select **Save**, then press VOL+/- buttons to select **Yes** to save the new name.

Swapping the TV Channel

1. In TV mode, select the TV channel which you want to swap to a different channel number.
2. Press **MENU** button to activate the OSD menu.
3. Press CH+/CH- buttons to select **Channel Settings**.
4. Press VOL+/- buttons to enter **Channel Settings** sub-menu and press CH+/CH- buttons to select **Sort**.
5. Press VOL+/- buttons to enter **Sort** sub-menu.
6. The current channel number is in green color (and the current channel name in pink color). If the current channel is not the one you want to swap, press CH+/CH- buttons to switch to another channel (total 100 different channels).
7. Press VOL+ button to confirm the channel that you want to swap from. If this is still the wrong channel, press VOL- button to cancel this confirmation.
8. Press CH+/CH- buttons to select the new channel number that you want to swap to.
9. Press VOL+ button to complete the channel swapping.

CANAL+ Function

1. Connect the CANAL+ Set-Top box to the SCART port of this TV set.
2. Turn on this TV set.
3. Turn on the CANAL+ Set-Top box.
4. This TV set will display the programs receiving from the CANAL+ Set-Top box. The channel and volume are controlled by the CANAL+ Set-Top box.
Note: The "TV" description will be shown on the upper-left corner of the TV set. The OSD menu of this TV set is the same as in SCART mode.
5. You will see snowy picture for 1~2 seconds, because the TV set is now decoding the CANAL+ signals.

Basic Trouble-Shooting

Before contacting the qualified after-sales service, perform the following simple checks. If you cannot solve the problem using the instructions below, note the model and serial number of your TV set and contact your local dealer.

- | | |
|--|---|
| No sound or picture | <ul style="list-style-type: none">• Check that the mains lead has been connected to a wall socket.• Check that you have pressed the POWER button.• Check the (VIDEO) for CONTRAST and BRIGHTNESS settings.• Check the volume. |
| Normal picture but no sound | <ul style="list-style-type: none">• Check the volume.• Check whether the MUTE button has been pressed on the remote control. |
| No picture or black and white picture | <ul style="list-style-type: none">• Adjust the VIDEO settings.• Check that the source mode selected is correct. |
| Sound and picture interference | <ul style="list-style-type: none">• Try to identify the electrical appliance that is affecting the set and move it further away.• Plug your set into a different mains socket. |
| Blurred or snowy picture, distorted sound | <ul style="list-style-type: none">• Check the direction, location and connections of your antenna. This interference is often due to the use of an indoor antenna. |
| Remote control malfunctions | <ul style="list-style-type: none">• Replace the remote control batteries.• Clean the upper edge of the remote control (transmission window).• Check the battery terminals. |
| In PC (DVI) mode, screen is black and power indicator LED is in amber | <ul style="list-style-type: none">• The TV is using its power management system.• Move the computer's mouse or press a key on the keyboard. |
| In PC (DVI) mode, image is not stable and may appear to vibrate | <ul style="list-style-type: none">• Check that the display resolution and frequency from your computer or video board is an available mode for your TV set. And please check the following items on your computer: Control Panel, Display, and Settings.• If the setting is not correct, use your computer utility program to change the display settings. |

Specifications

Technical and Environmental Specifications

<p>Basic Specifications: Screen Size: 20.1” Display Size: 408 mm (H) x 306 mm (V) Aspect Ratio: 4:3 Brightness (typical): 500 cd/m² Contrast (typical): 500:1 Resolution: SVGA 800 x 600 Response Time: 16 ms (Tr + Tf) PC Monitor support (DVI): up to SVGA 800 x 600 Pixel Pitch: 0.51 mm (H) x 0.51 mm (V) Viewing Angle: 80° / 80° / 80° / 80° Display Colors: 16.7 M OSD Languages: English, German, French, Italian, Spanish</p>	<p>Input Connector: PC: DVI x 1, Audio-in x 1 Audio input: RCA-pin type (L/R) x 1, SCART-pin type (L/R) x 1 Audio: 1 Vp-p, 20 Hz ~ 20KHz Component: YPbPr/YCbCr x 1 (auto-detection) Y: 1.0 Vp-p, 75 ohms, unbalanced, sync negative Pb/Cb: 0.7 Vp-p, 75 ohms Pr/Cr: 0.7 Vp-p, 75 ohms Audio: 1 Vp-p, 20 Hz ~ 20KHz Signal format: 480i, 480p, 576p (SDTV) 720p, 1080i (HDTV) SCART: Full SCART x 1 TV Antenna: 75-ohm external terminal for VHF/UHF</p>
<p>TV System: PAL B/G, D/K, I SECAM L/L NTSC AV 3.58/4.43 TeleText: 10 pages</p>	<p>Output Connector: HeadPhone: Stereo mini jack, Impedance 160 ohms Wall Mount: VESA standard Power Adapter: 100 ~240 V AC (50Hz/60Hz) Output: 12 V DC, 5A (min.)</p>
<p>Video: Adaptive Color and Contrast (ACC) Auto Color Management (ACM) High Performance 4H Comb Filter Luma Sharpness Enhancement (LSE) Color Transient Improvement (CTI) Dynamic Contrast Improvement (DCI) Dynamic Black Level Expander (BLE) Flesh-tone Compensation</p>	<p>Power Consumption: Working: 53W Stand-by: < 2.5W Environmental Conditions: Operating Temperature: 0°C ~ 40°C Operating Humidity: 10% ~ 80% (non-condensing) Storage Temperature: -20°C ~ 60°C Storage Humidity: 5% ~ 95% (non-condensing)</p>
<p>Audio: MTS / SAP / Stereo / Mono Mute Function Audio Output: 5W + 5W</p>	<p>Physical Dimensions: 580 mm (W) x 451 mm (H) x 180 mm (D) / 11.2 kg 22.83” (W) x 17.76” (H) x 7.09 (D) / 24.64 lbs Packing Dimensions:</p>
<p>Certifications: FCC-B, cUL, CE, TUV, CB, C-Tick</p>	<p>657 mm (W) x 538 mm (H) x 230 mm (D) / 16 kg 25.87” (W) x 21.18” (H) x 9.06” (D) / 35.2 lbs</p>

Note: Specifications are subject to change without notice.

Specifications

Displayable Specifications

(1) Component Progressive input signal (YPbPr and YCbCr):

Mode	Type	Resolution	H/V Frequency	Aspect Ratio	Remarks
480i	YCbCr	720x480	15.74kHz, 60Hz	4:3	640x480i
480p	YPbPr	720x480	31.45kHz, 60Hz	4:3	640x480p
576p	YPbPr	720x576	31.25kHz, 50Hz	4:3	720x576p
720p	YPbPr	1280x720	45kHz, 60Hz	4:3	800x600p
1080i	YPbPr	1920x1080	33.75kHz, 60Hz	4:3	800x600p

(2) DVI Mode:

Mode	Resolution	Horizontal Frequency(KHz)	Vertical Frequency(Hz)
EGA	640x350	31.468	70.09
DOS	640x400	31.469	70.08
VGA	640x480	31.469	59.94
SVGA	800x600	37.879	60.31

Note: Connect this TV set and your PC. Turn on this TV set first and wait till the LED power indicator turns green, before you turn on your PC. Otherwise some display modes will not be supported.