

Quick Setup Guide

SPA Guía de instalación rápida KOR 간편 설치 안내서

Read this guide first.
Please read this guide before operating this product.
After you finish reading this guide, store it in a safe place for future reference.

SPA **Lea esta guía primero.**
Por favor, lea esta guía antes de usar este producto.
Después de leer esta guía, guárdela en un lugar seguro para posteriores consultas.

KOR **먼저 본 설명서를 읽어 주십시오.**
본 제품을 사용하기 전에 설명서를 읽어 주십시오.
본 설명서를 다 읽은 후 나중에 참고할 수 있도록 안전한 곳에 보관하십시오.

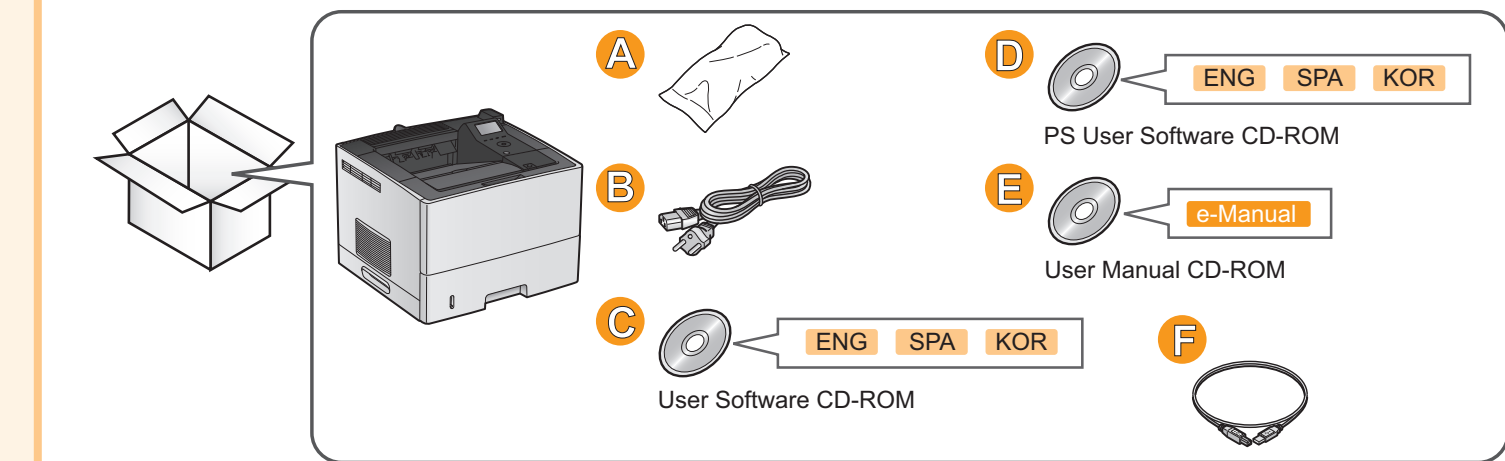
Read the "Important Safety Instructions" section on the back side of this Setup Guide carefully to install the printer safely.

SPA Para instalar la impresora de modo seguro, lea atentamente la sección "Instrucciones de seguridad importantes" en el reverso de esta Guía de configuración.

KOR 프린터를 안전하게 설치하기 위해서 본 설치 설명서 뒷면의 "주요 안전 지침"을 잘 읽어 주시기 바랍니다.

1 Confirm the supplied accessories.

SPA Verifique los accesorios suministrados. KOR 부속된 액세서리를 확인해 주십시오.



Remove all the tape.

Remove all the orange tape attached to the printer when performing the following procedure.
The packing materials may be changed in form or placement, or may be added or removed without notice.

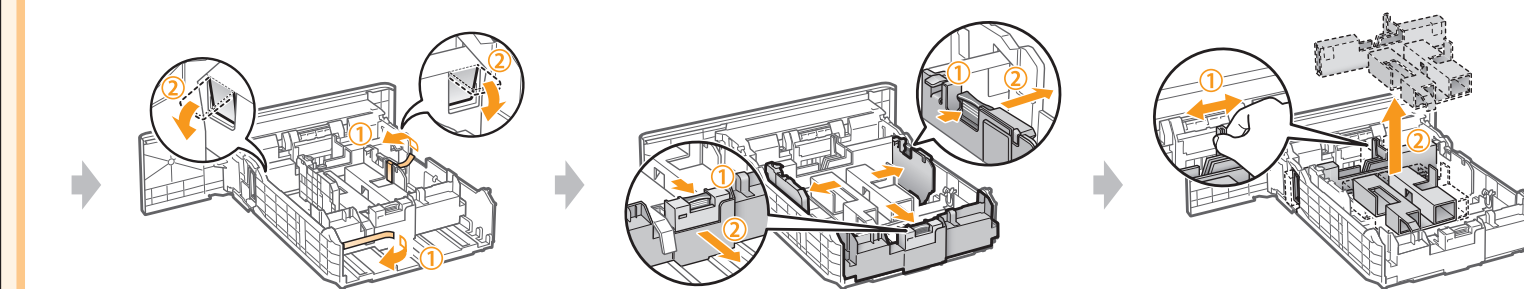
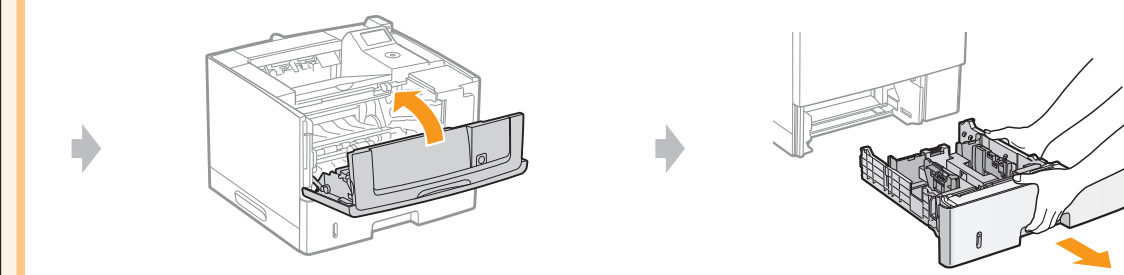
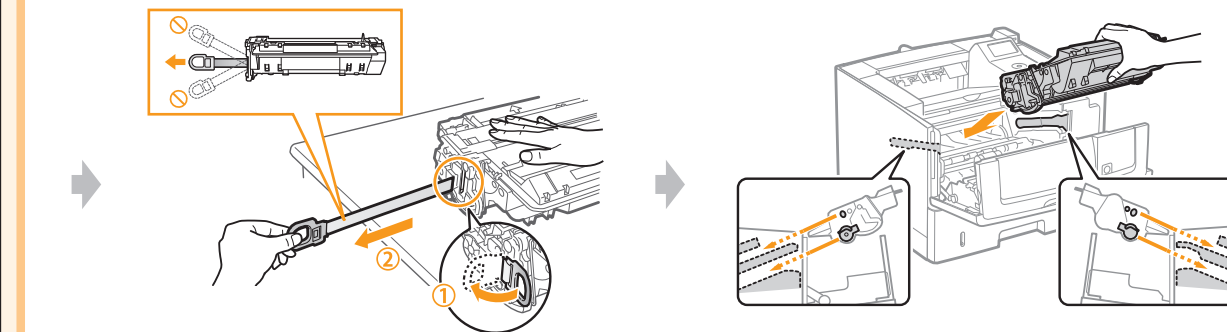
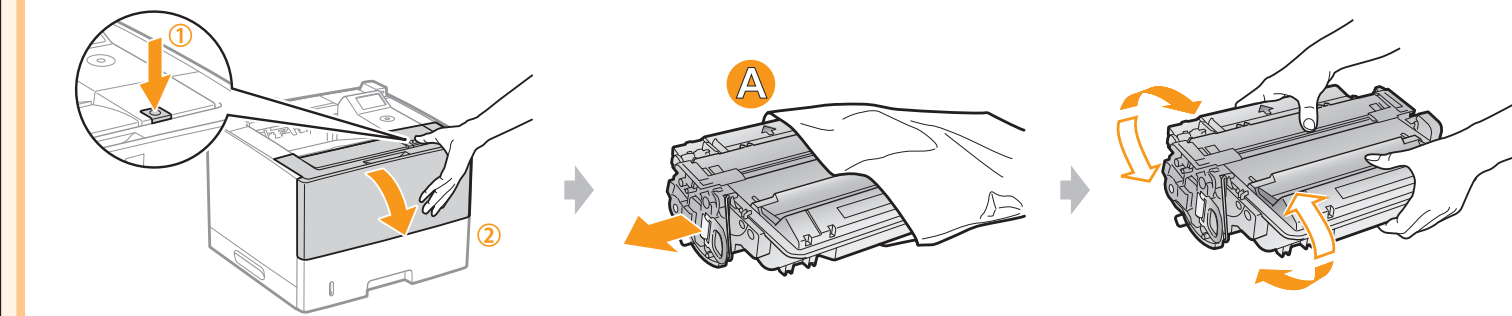
SPA Retire la totalidad de la cinta.
KOR 모든 테이프를 제거합니다.

SPA Retire la totalidad de la cinta naranja acoplada a la impresora cuando lleve a cabo el siguiente procedimiento.
Los materiales de embalaje pueden diferir en su forma o posición y pueden añadirse o eliminarse sin previo aviso.

KOR 다음 절차를 실행할 때에는 프린터에 부착된 모든 오렌지색 테이프를 제거해 주십시오.
포장재는 형태가 변경되거나 교체되거나, 또는 사전 공지없이 추가 또는 제거될 수 있습니다.

2 Remove the packing materials.

SPA Retire los materiales de embalaje. KOR 포장재를 제거해 주십시오.



Check!

Did you remove all the packing materials?

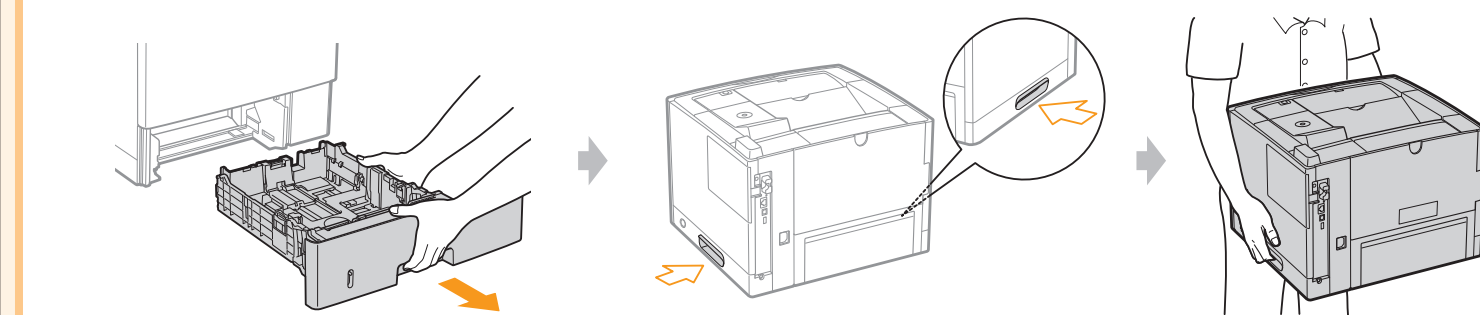


Make sure that all the orange tape is completely removed.
SPA Asegúrese de retirar completamente la totalidad de la cinta naranja.
KOR 모든 오렌지색 테이프는 반드시 완전히 제거해 주십시오.



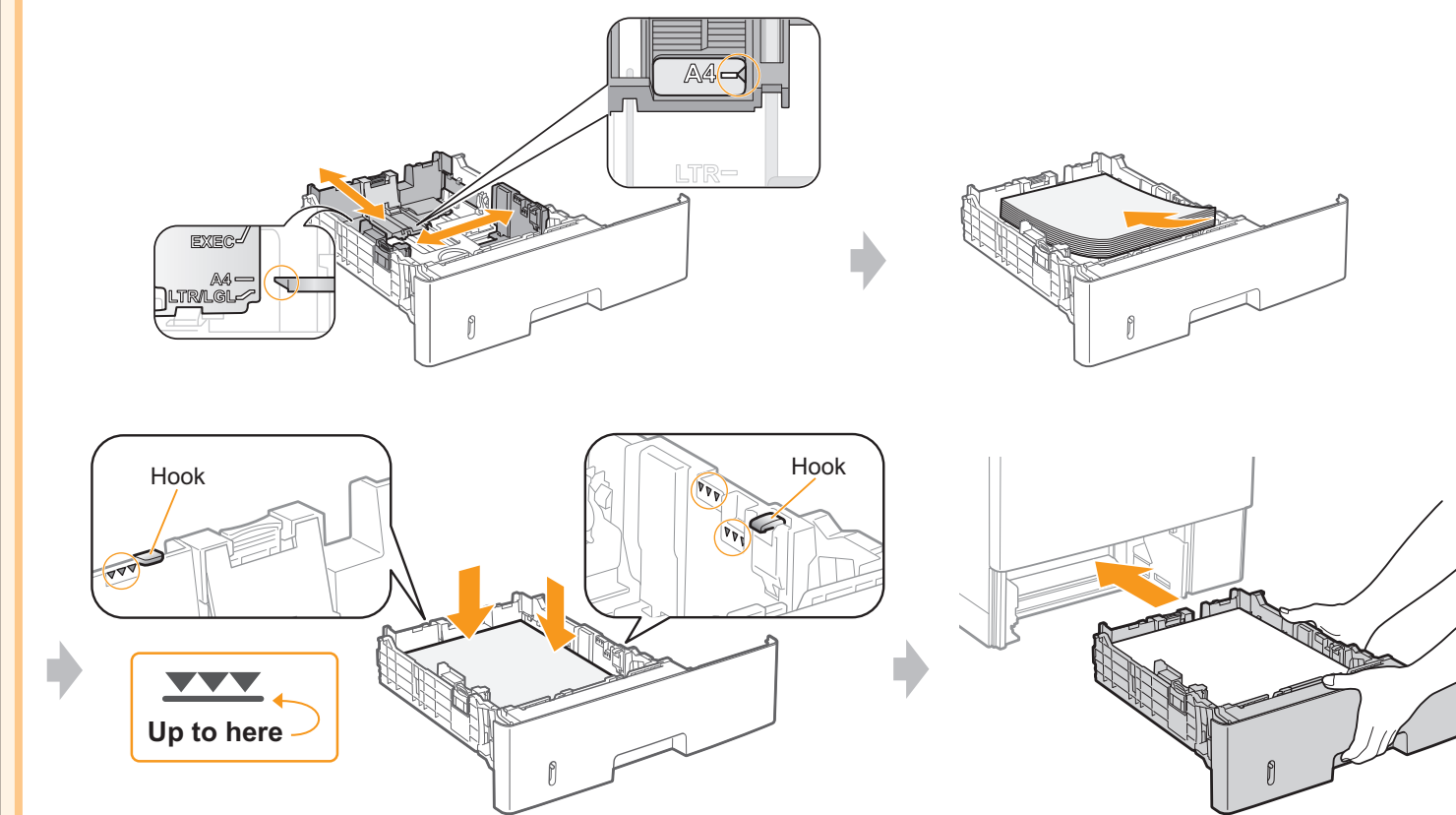
3 Move the printer.

SPA Desplace la impresora. KOR 프린터를 이동시킵니다.



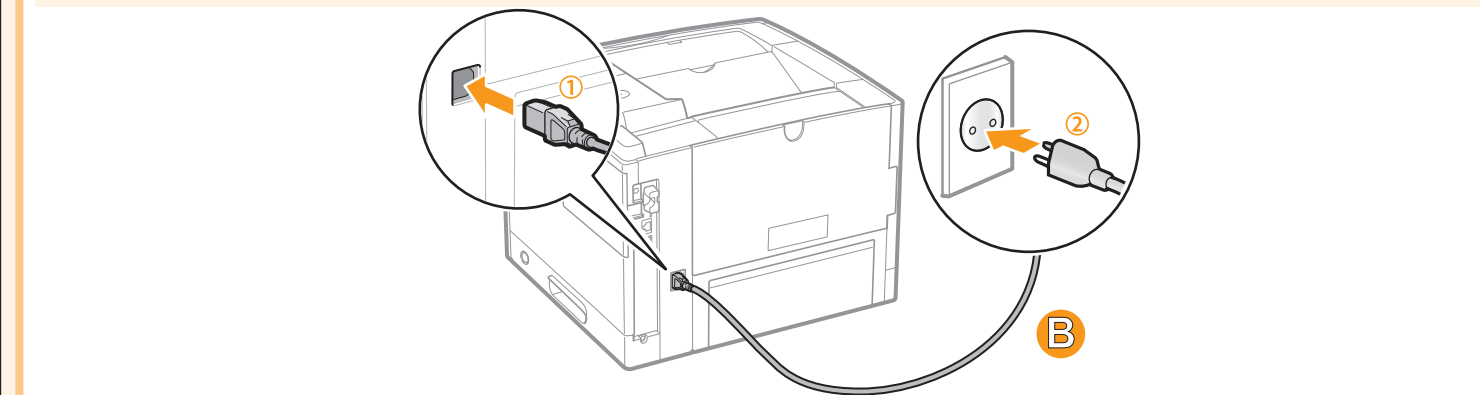
4 Load paper.

SPA Cargue papel. KOR 용지를 넣습니다.



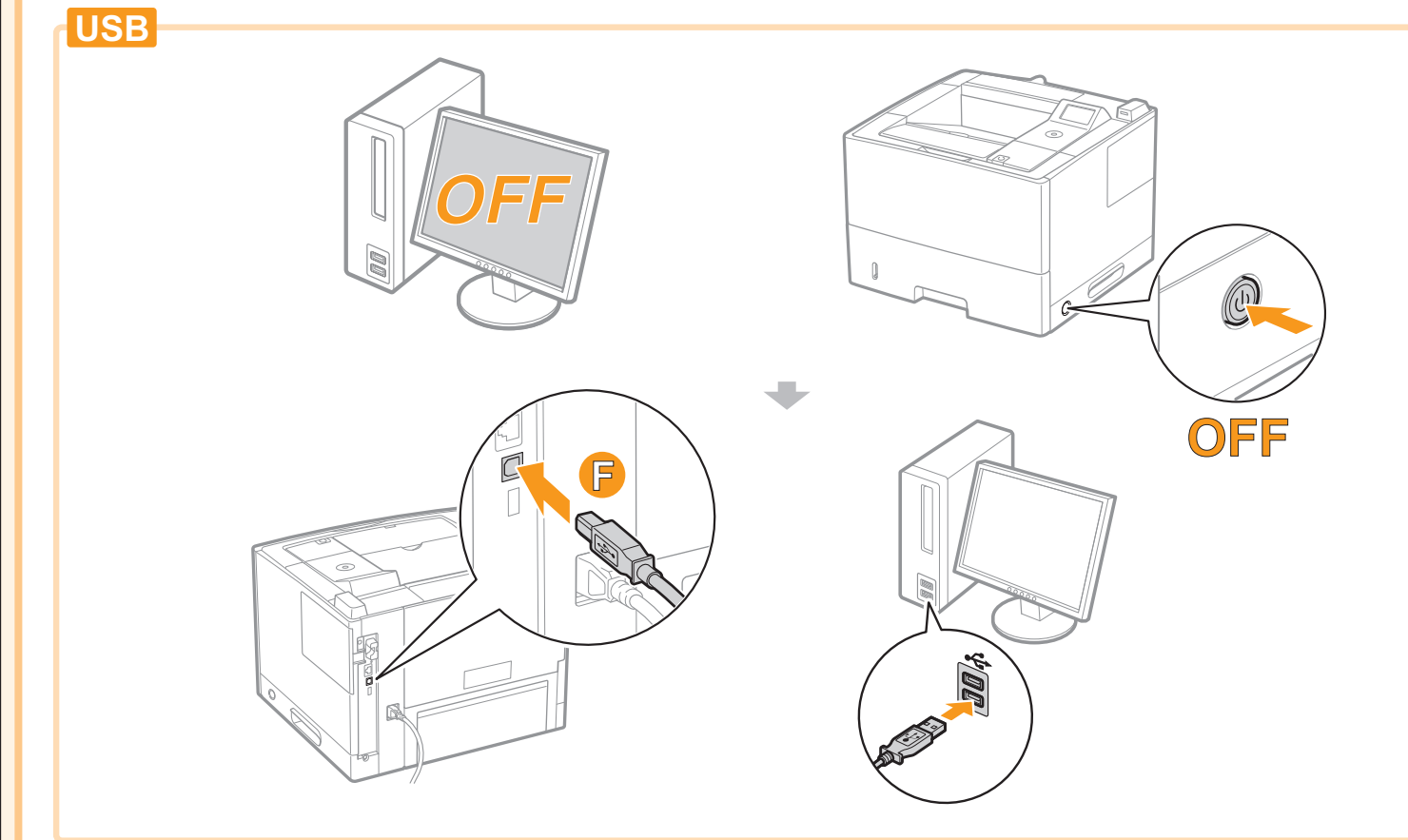
5 Connect the power cord.

SPA Conecte el cable de alimentación. KOR 전원 코드를 연결합니다.

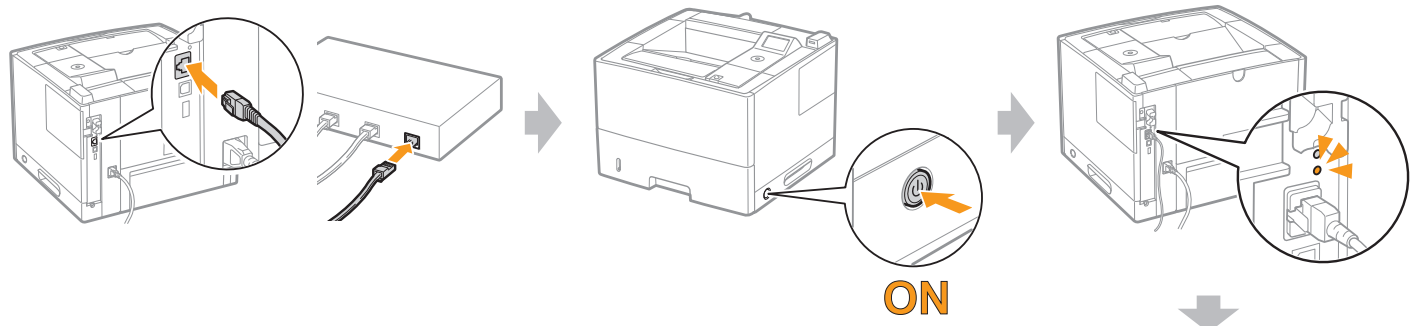


6 Connect the printer and computer.

SPA Conecte la impresora y el ordenador. KOR 프린터와 컴퓨터를 연결합니다.

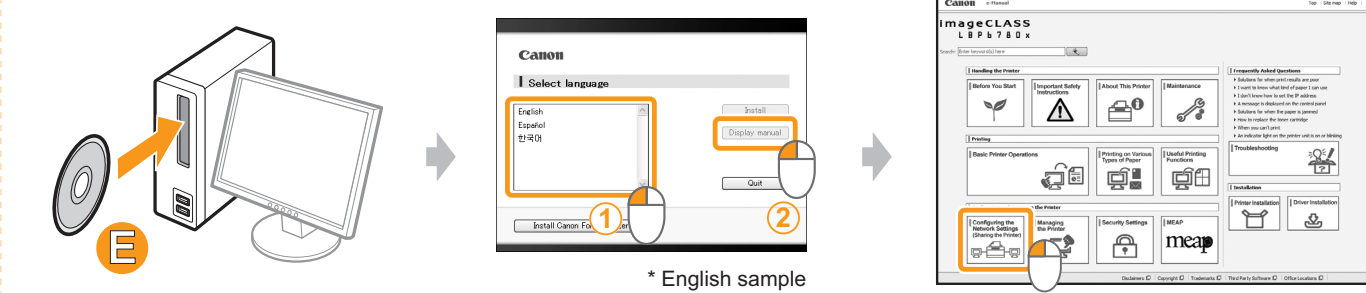


LAN



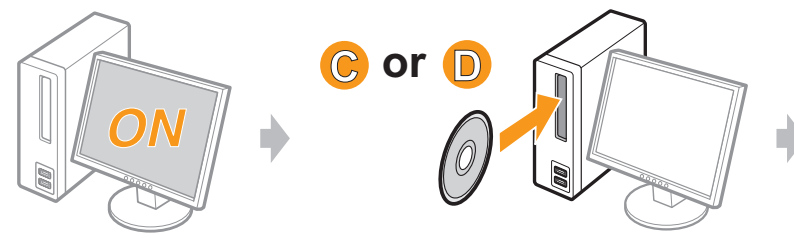
Configure the network settings, if necessary. See the e-Manual.

SPA Si es preciso, configure los ajustes de red. Consulte el e-Manual.
KOR 필요시 네트워크 설정을 구성하십시오. 전자설명서를 참조하십시오.



7 Install the driver.

SPA Instale el controlador.
KOR 드라이버를 설치합니다.



Follow the instructions on the screen.

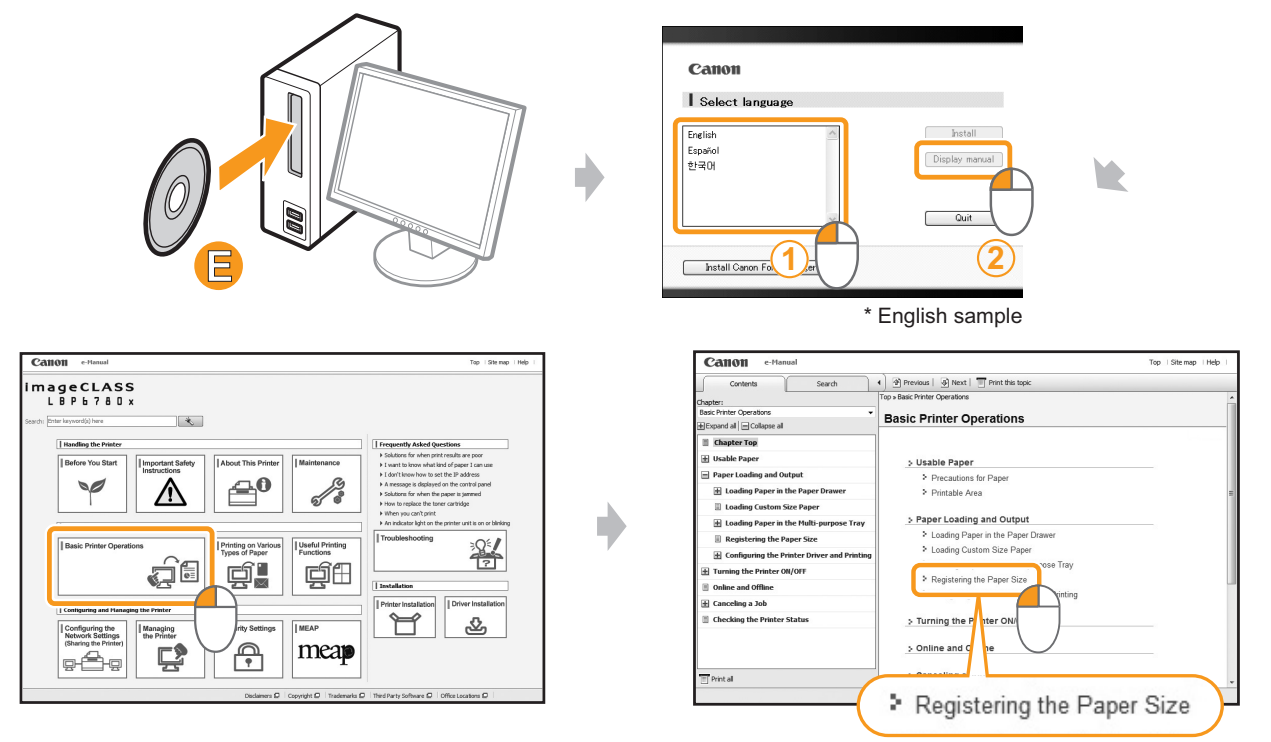
SPA Siga las instrucciones de la pantalla.
KOR 화면의 지시에 따릅니다.

? If you have any questions about operations, see the "Printer Driver Installation Guide."

SPA Si tiene preguntas sobre las operaciones, consulte la "Guía de instalación del controlador de impresora".
KOR 조작에 관해 궁금한 점이 있으시면 "프린터 드라이버 설치 설명서"를 참조하십시오.

8 Register the paper size. See the e-Manual.

SPA Registre el tamaño de papel. Consulte el e-Manual.
KOR 용지 크기를 등록합니다. 전자설명서를 참조하십시오.



9 Check the printing operation.

SPA Compruebe el funcionamiento de la impresión.
KOR 인쇄 작동 확인하기.



Setup is finished.

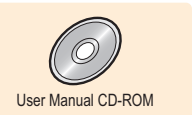
SPA La instalación ha finalizado.
KOR 설치가 완료되었습니다.

10 For more about using the printer, see the e-Manual.

SPA Para obtener más información sobre el uso de la impresora, consulte el e-Manual.
KOR 프린터 사용에 대한 더 자세한 사항은 전자설명서를 참조해 주십시오.

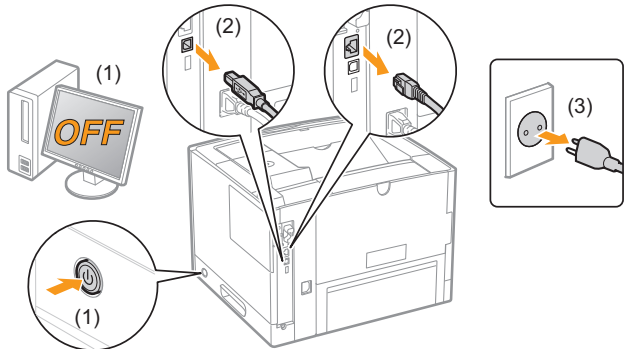
! Important Safety Instructions

This manual describes only warnings and cautions for the installation and the power supply. Be sure to read "Important Safety Instructions" described in the e-Manual (HTML manual) included in the supplied User Manual CD-ROM also.



Installation

- ! WARNING**
- Do not install the printer in a location near alcohol, paint thinner, or other flammable substances. If flammable substances come into contact with electrical parts inside the printer, this may result in a fire or electrical shock.
 - Do not place the following items on the printer.
 - Necklaces and other metal objects
 - Cups, vases, flowerpots, and other containers filled with water or liquids
- If these items come into contact with a high-voltage area inside the printer, this may result in a fire or electrical shock. If these items are dropped or spilled inside the printer, immediately turn OFF the power switch (1) and disconnect the interface cables if they are connected (2). Then, unplug the power plug from the AC power outlet (3) and contact your local authorized Canon dealer.



- When installing or removing the optional accessories, be sure to turn the printer OFF, unplug the power plug, and then disconnect all the interface cables and power cord from the printer. Otherwise, the power cord or interface cables may be damaged, resulting in a fire or electrical shock.

! CAUTION

- Do not install the printer in unstable locations, such as on unsteady platforms or inclined floors, or in locations subject to excessive vibrations, as this may cause the printer to fall or tip over, resulting in personal injury.
- The ventilation slots are provided for proper ventilation of working parts inside the printer. Never place the printer on a soft surface, such as a bed, sofa, or rug. Blocking the slots can cause the printer to overheat, resulting in a fire.
- Do not install the printer in the following locations, as this may result in a fire or electrical shock.
 - A damp or dusty location
 - A location exposed to smoke and steam, such as near a cookery or humidifier
 - A location exposed to rain or snow
 - A location near a water faucet or water
 - A location exposed to direct sunlight
 - A location subject to high temperatures
 - A location near open flames
- When installing the printer, gently lower the printer to the installation site so as not to catch your hands between the printer and the floor or between the printer and other equipment, as this may result in personal injury.
- When connecting the interface cable, connect it properly by following the instructions in the e-Manual. If not connected properly, this may result in malfunction or electrical shock.
- Be careful when handling the main board or the ROM. Touching the main board or the sharp parts such as the edges of the ROM may result in personal injury.
- When moving the printer, follow the instructions in the e-Manual to hold it correctly. Failure to do so may cause you to drop the printer, resulting in personal injury.

Symbols

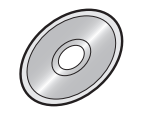
- ! WARNING** Indicates a warning concerning operations that may lead to death or injury to persons if not performed correctly. To use the machine safely, always pay attention to these warnings.
- ! CAUTION** Indicates a caution concerning operations that may lead to injury to persons if not performed correctly. To use the machine safely, always pay attention to these cautions.

Power Supply

- ! WARNING**
- Do not damage or modify the power cord. Also, do not place heavy objects on the power cord or pull on or excessively bend it, as this can cause electrical damage, resulting in fire or electrical shock.
 - Keep the power cord away from all heat sources. Failure to do so can cause the power cord insulation to melt, resulting in a fire or electrical shock.
 - The power cord should not be taut, as this may lead to a loose connection and cause overheating, which could result in a fire.
 - The power cord may become damaged if it is stepped on, fixed with staples, or if heavy objects are placed on it. Continued use of a damaged power cord can lead to an accident, such as a fire or electrical shock.
 - Do not plug or unplug the power plug with wet hands, as this can result in electrical shock.
 - Do not plug the power cord into a multi-plug power strip, as this can result in a fire or electrical shock.
 - Do not bundle up or tie up the power cord in a knot, as this can result in a fire or electrical shock.
 - Insert the power plug completely in the AC power outlet. Failure to do so can result in a fire or electrical shock.
 - If excessive stress is applied to the connection part of the power cord, it may damage the power cord or the wires inside the machine may disconnect. This could result in a fire. Avoid the following situations:
 - Connecting and disconnecting the power cord frequently.
 - Tripping over the power cord.
 - The power cord is bent near the connection part, and continuous stress is being applied to the power outlet or the connection part.
 - Applying a shock to the power connector.
 - Do not use power cords other than the one provided, as this can result in a fire or electrical shock.
 - As a general rule, do not use extension cords. Using an extension cord may result in a fire or electrical shock.
- ! CAUTION**
- Do not use a power supply voltage other than that listed herein, as this may result in a fire or electrical shock.
 - Always grasp the power plug when unplugging the power plug. Do not pull on the power cord, as this may expose the core wire of the power cord or damage the cord insulation, causing electricity to leak, resulting in a fire or electrical shock.
 - Leave sufficient space around the power plug so that it can be unplugged easily. If objects are placed around the power plug, you may be unable to unplug it in an emergency.

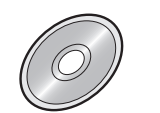
English

! WARNING
 To avoid the risk of personal injury or damage to the printer, and for legal information, make sure to read the "Legal Notices" and "Important Safety Instructions" in the e-Manual included on the accompanying User Manual CD-ROM carefully before using the printer.



한국어

! 경고
 인적 부상 또는 프린터의 손상을 피하기 위해서, 그리고 법적 정보에 관해서는 프린터 사용 전에 부속된 User Manual CD-ROM에 포함된 전자설명서의 "법적 고지 사항" 및 "주요 안전 지침"을 잘 읽어 주십시오.



Español

! ADVERTENCIA
 Para evitar el riesgo de sufrir lesiones personales o de causar daños a la impresora (y para información legal), asegúrese de leer atentamente los "Avisos legales" y las "Instrucciones de seguridad importantes" del e-Manual incluido en el disco User Manual CD-ROM suministrado antes de utilizar la impresora.

