

USER MANUAL

STEALTH



INDEX

1. WELCOME AT HYTORC	3
2. GENERAL INFORMATION	3
3. SAFETY INSTRUCTIONS	3
4. INTRODUCTION	6
5. BEFORE USE	7
6. CONNECTING THE HYDRAULIC PUMP UNIT	7
6.1 BEFORE USE – CHECK PUMPS	7
6.2 HOSE CONNECTION.....	7
6.3 AFTER USE	8
7. SETTING OF TORQUE VALUE / BOLT LOAD	9
8. USE OF LOW CLEARANCE WRENCH	10
8.1 CHANGE THE RATCHETS	10
8.2 ROTATING DIRECTION.....	11
8.3 REACTION POINT	11
8.4 TO TIGHTEN A BOLTED CONNECTION.....	11
8.5 THE REACTION PAWL.....	12
8.6 TO LOOSEN A BOLTED CONNECTION	12
9. MALFUNCTIONS AND SOLUTIONS	13
9.1 TORQUE WRENCH	13
9.2 DRIVING PISTON.....	13
9.3 PUMPS	13
9.3.1 Air pump units.....	13
9.3.2 Electrical pump units	13
10. MAINTENANCE	14
10.1 INSPECTION BEFORE EACH USE.....	14
10.2 SMALL MAINTENANCE	14
10.3 MAINTENANCE AT HYTORC.....	14
11. PARTLIST DRIVING SIDE STEALTH-SERIES	15
12. PARTLIST RATCHET STEALTH-SERIES	17

FOR MORE INFORMATIE

HYTORC Nederland BV | Platinawerf 8 - 6641 TL Beuningen - NEDERLAND | Tel: +31(0)24 - 3 660 660 | www.hytorc.nl

HYTORC Benelux BVBA | Ysselaarlaan 65B - 2630 Aartselaar - BELGIË | Tel : +32(0)38 - 705 220 | www.hytorc-benelux.be

1. WELCOME AT HYTORC

Thank you for buying HYTORC equipment.

This user manual and safety instructions is designed to provide you with the basic knowledge required to operate and maintain your new HYTORC equipment.

Please read this manual carefully and follow the instructions provided. If you still have any questions regarding HYTORC bolting equipment, please do not hesitate and call us at +31 (0) 24 3660 660 or contact us at info@hytorc.nl.

You also find more information on our website www.hytorc.nl.

2. GENERAL INFORMATION

Your purchase of HYTORC equipment entitles you to the following HYTORC services:

- Instructions to your employees within your organization by a HYTORC specialist
- Free annual inspection of your HYTORC equipment
- 24-hour service
- When you need help abroad? No problem! We help you!
- HYTORC equipment according to the newest technology
- A full year complete warranty
- In case of failure under warranty of standard tools, substitutional rental equipment can be supplied at request
- Qualified work force employable for solutions at difficult challenges

3. SAFETY INSTRUCTIONS

Warning: Your HYTORC torque machine is a power tool, and as with any power tool, certain safety precautions should be observed to avoid accidents or personal injury. The following instructions will assist you.

- **Read all instructions.**
- **Keep work area clean and well lit.**
- **Consider work area environment.** Electrical Pumps should never be used in an atmosphere that can be considered potentially volatile. If there is any doubt, use an air pump. Note: Metal-to-metal contact can cause sparks, precautions should be taken.
- **Avoid premature tool starting.** The Pump Remote Control is for the TOOL OPERATOR only.

FOR MORE INFORMATIE

HYTORC Nederland BV | Platinawerf 8 - 6641 TL Beuningen - NEDERLAND | Tel: +31(0)24 - 3 660 660 | www.hytorc.nl

HYTORC Benelux BVBA | Ysselaarlaan 65B - 2630 Aartselaar - BELGIË | Tel : +32(0)38 - 705 220 | www.hytorc-benelux.be

- **Stay clear during operation.** In most cases, the tool will allow “hands free” operation. If the tool must be held or steadied during operation, use alternative means of securing the tool to the application.
- **Guard against electric shock.** Ensure the pump is properly grounded and the proper voltage is being used.
- **Store equipment properly.** When not in use, tools and accessories should be properly stored to avoid deterioration.
- **Use right tool.** Do not force small tools or attachments to do the job of a larger tool. Do not use a tool for purposes not intended.
- **Proper safety attire.** When handling/operation hydraulic equipment use work gloves, hard hats, safety shoes and other applicable clothing.
- **Use safety glasses with side covers.**
- **Moving equipment.** Do not use hydraulic hoses, uni-swivels, pump power or remote cords as means of moving the equipment.
- **Maintain your HYTORC equipment with care.** For top performance, inspect tools, power pack and accessories for visual damage frequently and always prior to use. Always follow instruction for proper tool and pump maintenance. Refer to the Operations Maintenance Section in chapter 10 for further clarification.
- **Stay alert!** Watch what you are doing. Use Common sense. Do not use power equipment under the influence of any mood altering substances.
- **Prior to operation:**
 - Ensure that all hydraulic connections are securely connected and there is no leakage;
 - Verify that the hydraulic hoses are not kinked or otherwise damaged;
 - Ensure the square drive and its retainer are fully and securely engaged;
 - Be certain that all connectors, elbows, fitting and swivels are not bent, loose or damaged.
- **Prior to use:**
 - Check sockets for size, quality and flaws (do not use if questionable);
 - Cycle tool to ensure proper function;
 - Locate a solid, secure reaction point;
 - Be sure the reaction arm retaining clamp is fully engaged;
 - Be sure the hydraulic hoses are free of the reaction point;
 - Pressurize the system momentarily; if the tool tends to “ride up” or to “creep”, stop and re-adjust the reaction arm to a more solid and secure position.

FOR MORE INFORMATIE

HYTORC Nederland BV | Platinawerf 8 - 6641 TL Beuningen - NEDERLAND | Tel: +31(0)24 - 3 660 660 | www.hytorc.nl

HYTORC Benelux BVBA | Ysselaarlaan 65B - 2630 Aartselaar - BELGIË | Tel : +32(0)38 - 705 220 | www.hytorc-benelux.be

- **Stay away of the reaction points.** Remain clear of the reaction arm during operation and never punt body parts between reaction arm and reaction surfaces.



- **Always use quality accessories.** Always use top quality impact sockets in good condition that are the correct size and fully engage the nut. Hidden flaws, however, remain a possibility that could cause breakage, so stay clear of sockets during operation.
- **Do not use other equipment to enhance performance.** For example a hammer on the socket or tool.

Comment:

HYTORC pumps are designed to operate HYTORC tools only and vice versa. Damage may occur to the pump or the product that is being operated due to misuse.

You can find a version of the instructions on the reverse side of the torque charts.
STORE THESE SAFETY INSTRUCTIONS WITH YOUR HYTORC TOOL!

FOR MORE INFORMATIE

HYTORC Nederland BV | Platinawerf 8 - 6641 TL Beuningen - NEDERLAND | Tel: +31(0)24 - 3 660 660 | www.hytorc.nl

HYTORC Benelux BVBA | Ysselaarlaan 65B - 2630 Aartselaar - BELGIË | Tel : +32(0)38 - 705 220 | www.hytorc-benelux.be

4. INTRODUCTION

The STEALTH-series is an advanced torque tool, which you can use in the following situations:



To tighten on bolt load with the HYTORC NUT



To tighten on bolt load as a torque-tensioner with the HYTORC LoadDISC



To tighten by torque with a reaction arm against a solid point or against an adjacent nut



To tighten with pre-adjusted angle or with documentation system

HYTORC has different square drive tools to tighten or loosen bolted connections with sockets, such as the Avanti, MXT, Edge, F-tool and Y-tool.

FOR MORE INFORMATIE

HYTORC Nederland BV | Platinawerf 8 - 6641 TL Beuningen - NEDERLAND | Tel: +31(0)24 - 3 660 660 | www.hytorc.nl

HYTORC Benelux BVBA | Ysselaarlaan 65B - 2630 Aartselaar - BELGIË | Tel : +32(0)38 - 705 220 | www.hytorc-benelux.be

5. BEFORE USE

All HYTORC products have been tested and are ready for use at delivery. In some cases, you need to fill the supplied hydraulic oil in the pump unit before use.

The system accuracy of your HYTORC tool is within $\pm 3\%$. This accuracy can be certified through calibration by our own calibration system. All new tools are delivered with a calibration certificate.

A HYTORC torque tool is only complete with a hydraulic pump and a high-pressure twin hose. To assure a safe and good operation of your equipment it is necessary to operate correctly and maintain regularly.

6. CONNECTING THE HYDRAULIC PUMP UNIT

Important

- Before use you have to fill the HYTORC pump units with, separate delivered, hydraulic oil (if it is not already done prior to delivery).
- If you operate your HYTORC torque tool with another pump brand, please note the restricted pressure of 700 BAR maximum.

6.1 Before use – Check pumps

Air driven pump units

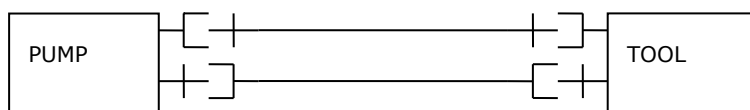
- Use at least an $\frac{3}{4}$ " air hose and $\frac{1}{2}$ " couplers. The working pressure is 6-10 BAR. During running the air pressure is not allowed to drop under 4,5 BAR.
- Check the water separator by opening the drain.
- Check if the oil level in the lubricator is sufficient. And check during running if the lubricator drops the subscribed drops of oil, approximately 4-6 drops per minute for most pumps.

Electrical driven pump units

- Assure yourself of using the right voltage according the pump specifications. You find these on the pump cover or electrical box.
- Beware of overvoltage and undervoltage! (too long or too thin extension cable will cause a voltage decrease).
- Use the hydraulic pump only if the green/yellow grounding cables are connected.
- If needed, use an 2,5 mm² electrical extension cable, unreel the cable wince completely.

6.2 Hose connection

A twin hose connects the torque wrench and the hydraulic pump unit. Each hose has couplers at each end. One hose has female couplers at both ends and the other hose has male couplers at both ends. To avoid tool malfunction, do not reverse connectors!



FOR MORE INFORMATIE

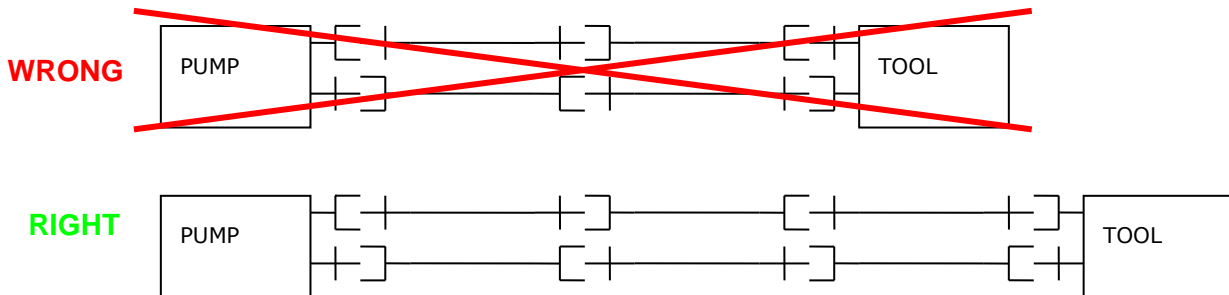
HYTORC Nederland BV | Platinawerf 8 - 6641 TL Beuningen - NEDERLAND | Tel: +31(0)24 - 3 660 660 | www.hytorc.nl

HYTORC Benelux BVBA | Ysselaarlaan 65B - 2630 Aartselaar - BELGIË | Tel : +32(0)38 - 705 220 | www.hytorc-benelux.be

We have three different types of couplers; rotating couplers, rotating couplers with locking devices and quick couplers. The different types cannot be connected between each other.

IMPORTANT

You cannot connect 2 or 4 hoses to each other. If necessary, you can connect 3 or 5 hoses. Use always an odd number of hoses.



- Push the hose parts and couplers to each other.
- Screw the couplers hand tight. Do not use locking pliers.
- If you want to detach, disconnect the return hose first. If impossible, press briefly once on the remote control push button.

Attention! During operation the couplers can become loose unnoticed, what makes oil flow impossible. The tool operates no longer.

**ASSURE YOURSELF THAT ALL COUPLERS ON THE PUMP
AS WELL AS ON THE TOOL ARE TIGHTENED PROPERLY!
THIS IS THE MOST COMMON OPERATION FAILURE!**

6.3 After use

- Reel the hoses.
- Protect the couplers against dirt and damage by connecting the end parts of the hose to each other.

FOR MORE INFORMATIE

HYTORC Nederland BV | Platinawerf 8 - 6641 TL Beuningen - NEDERLAND | Tel: +31(0)24 - 3 660 660 | www.hytorc.nl

HYTORC Benelux BVBA | Ysselaarlaan 65B - 2630 Aartselaar - BELGIË | Tel : +32(0)38 - 705 220 | www.hytorc-benelux.be

7. SETTING OF TORQUE VALUE / BOLT LOAD

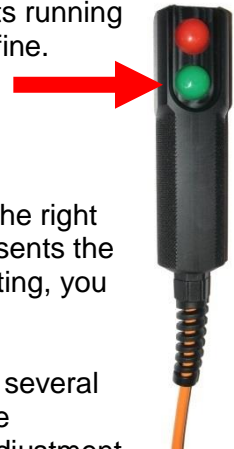
The HYTORC hydraulic pump unit has a working range of 20 BAR until maximum 700 BAR. Within this range the pressure is infinitely adjustable.

Follow the next steps to adjust the right torque:

1. Every tool type has his own pressure/torque chart, supplied with your HYTORC tool. Search for the right torque in the preferable column (Nm, kgm or ft.lbs.) in the chart and read the right pressure to adjust the pump in BAR (right) or PSI (left).

DRUK PRESSURE	AANHAALMOMENT IN			DRUK PRESSURE
	PSI	Ft.lbs	Kgm	
1.000	164	23	219	70
1.200	197	28	262	84
1.400	231	32	306	98

2. Turn the wing nut (on the tank cover of the pump unit) completely leftwards = upwards. If a locking knob exists, please release this one first.
3. Put the torque tool somewhere on the ground or another safe place without placing on a nut.
4. Pick up the remote control and push the start/run button. The pump starts running and the tool makes one stroke. Repeat twice and check if the tool turns fine.
5. NEXT: AS FROM NOW KEEP THE START BUTTON PRESSED!



6. Turn the wing nut to the right until the pressure gauge presents the desirable pressure. After setting, you can release the start button.

7. Push the button after several seconds again and check the pressure. Fix the locking if adjustment is fine. Finally, check the pressure again.

Important

To change the pressure you first have to turn the wing nut back to lower pressure (0). Next you can set the desired pressure like explained in this chapter.

FOR MORE INFORMATIE

HYTORC Nederland BV | Platinawerf 8 - 6641 TL Beuningen - NEDERLAND | Tel: +31(0)24 - 3 660 660 | www.hytorc.nl

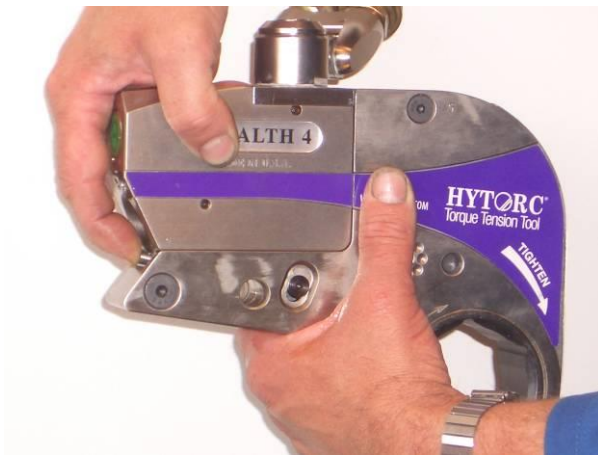
HYTORC Benelux BVBA | Ysselaarlan 65B - 2630 Aartselaar - BELGIË | Tel : +32(0)38 - 705 220 | www.hytorc-benelux.be

8. USE OF LOW CLEARANCE WRENCH

Place the hydraulic cylinder with the low clearance ratchet on the nut and beware to place the ratchet over the nut completely. Even when the nut is painted or rusted.

8.1 Change the ratchets

The STEALTH-series use interchangeable ratcheting links. It is possible to use the hydraulic cylinder with different sizes of ratchets. Every size has its own ratchet. Before you change the ratchet, run the pump unit connected to the hydraulic cylinder to retract the pistons to start position. Change a ratchet as follows:



1. Hold the cylinder firmly and press the link release button at the backside. With pressed button, you release the ratchet from the cylinder by pulling.



2. Place another ratchet into the hydraulic cylinder.



3. Push the cylinder into the ratchet until you hear a click. The two parts are automatically connected to each other now.

4. After changing the ratchet, you have to test if the hexagon of the tool turns and everything operates as desired, before placing the tool on the nut.

FOR MORE INFORMATIE

HYTORC Nederland BV | Platinawerf 8 - 6641 TL Beuningen - NEDERLAND | Tel: +31(0)24 - 3 660 660 | www.hytorc.nl

HYTORC Benelux BVBA | Ysselaarlaan 65B - 2630 Aartselaar - BELGIË | Tel: +32(0)38 - 705 220 | www.hytorc-benelux.be

8.2 Rotating direction

For tightening, simply engage the nut with the right side of the link facing down. For loosening, the left side of the link faces down. The direction is indicated with an arrow sign on the tool.



Loosening

Tightening

8.3 Reaction point

- Place the tool at the bolted connection and move the tool by hand towards the reaction point. Ensure if hoses are clear of any obstacles.
- Ensure if the steel reaction pad portion of the ratchet abuts solidly to the chosen reaction point.
- Ensure that no odd parts are in the operation zone. Keep in mind that the tool can move a bit while operating. Ensure hydraulic hoses and couplers are clear of any obstacles during operation.
- Stay clear of the tool and reaction point with your fingers or other body parts!
- Press for one second the start button to find out if everything operates all right.



Comment: If the reaction point cannot be reached due to a too short reaction arm, we can lengthen the arm with an accessory.

8.4 To tighten a bolted connection

By pushing down on the remote control button in the advance position, the rear of the tool will be pushed back until the reaction surface will contact its reaction point. Continue to hold down the advance button as the ratchet turns until you hear a “click” which will signify the hydraulic cylinder inside the tool is fully extended and will not turn the ratchet further. Continuing to hold down the remote control button will result in a rapid build-up of pressure to the point of where the gauge reads what was pre-set prior to applying the wrench.

Attention: The reading of full pre-set pressure after the cylinder is extended DOES NOT INDICATE that this pressure (torque) is applied to the bolt. It only indicates that the cylinder is fully extended and cannot turn the nut further until the tool automatically resets itself. Releasing the remote control button will retract the cylinder.

- The tool will automatically reset itself and the operator will hear a “click”.
- Push the button again for the next cycle and the socket will turn.
- Repeat this step till the nut finally stops turning.
- Successive cycles are made until the tool “STALLS” at the pre-set Torque with an accuracy within +/-3%.

FOR MORE INFORMATIE

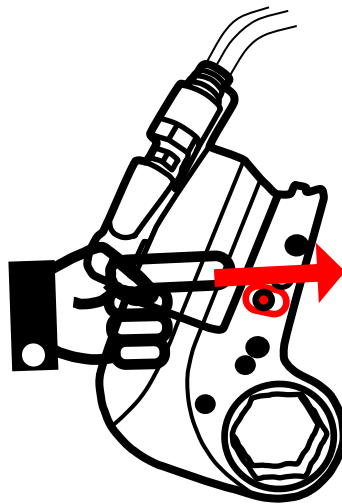
HYTORC Nederland BV | Platinawerf 8 - 6641 TL Beuningen - NEDERLAND | Tel: +31(0)24 - 3 660 660 | www.hytorc.nl

HYTORC Benelux BVBA | Ysselaarlaan 65B - 2630 Aartselaar - BELGIË | Tel : +32(0)38 - 705 220 | www.hytorc-benelux.be

8.5 The reaction pawl

The reaction pawl is a blocking system for the driving ratchet. It is possible that the reaction pawl is stuck in the sprocket wheel after reaching the desired torque value. You will notice that the tool is under pressure and cannot be taken from the nut. The built-in reaction pawl is doing its job by intercepting the torsion and tolerance.

- Press again the start button of the remote control and keep it pressed till the oil pressure is build up to adjusted maximum.
- Slide the small reaction pawl button away from its covered position and keep it there.
- Let go off the start button on the remote control. You can remove the tool now.



8.6 To loosen a bolted connection

- Adjust the pressure of the pump to its maximum of 700 BAR or 10.000 PSI.
- Check the rotating direction of the hexagon or square drive, and change if necessary.
- Check the position of the reaction arm and change if necessary.
- Place the tool on the bolted connection.
- Press the button of the remote control and keep it pressed till the socket or ratchet turns and stops again. As the cylinder extends fully, you will hear a “click” .
- Release the remote control button and wait till the cylinder automatically retracts, you again hear a “click”.
- Press the button again till the “click” and repeat this as long as necessary till the connection is loose.

Comment: If the bolted connection does not loosen, it is an indication that you may require the next larger size tool to loosen the bolt. If you do not have this in your possession, please contact HYTORC to find a good solution.

FOR MORE INFORMATIE

HYTORC Nederland BV | Platinawerf 8 - 6641 TL Beuningen - NEDERLAND | Tel: +31(0)24 - 3 660 660 | www.hytorc.nl

HYTORC Benelux BVBA | Ysselaarlaan 65B - 2630 Aartselaar - BELGIË | Tel : +32(0)38 - 705 220 | www.hytorc-benelux.be

9. MALFUNCTIONS AND SOLUTIONS

9.1 Torque wrench

- The tool does not operate anymore → check if all couplers (as well on tool as on the pump) are tightened properly. The coupling nut of the female coupler has to be tightened completely to the collar of the male coupler.

9.2 Driving piston

- Cylinder part cannot be taken off the tool → check if the piston is retracted completely → check if the piston is in its start position.

9.3 Pumps

- The pump pressure at a fixed adjustment repeats inaccurately → pump pressure adjusting valve is dirty or damaged → loose the valve and cover the hole with a towel, start the motor for 2 seconds, clean valve and assemble it again → renew the valve if the problem is not solved.
- Pump runs and produces pressure but the tool does not turn → check coupler connections.
- The tool turns in the wrong direction → probably two or an even number of hoses is connected to each other or the male and female couplers are interchanged.
- The tool is running slower than usually → adjust pump pressure to 700 BAR and shut off the pump when the start button is pressed → the pressure drops quickly to about 100 BAR but has to remain there. If the pressure drops to zero, it indicates an internal leakage. Please contact HYTORC Nederland B.V. +31 (0)24-3660660

9.3.1 Air pump units

- Pump motor does not start → kink in the air hose of the remote control → unreel the hose completely.
- Pump motor does not start → starter valve (position 21) is defect → press small knob of the starter valve while ON/OFF handle (position 9) stands at ON.
- Pump runs slowly or irregular → too low air pressure → minimum of 4 BAR with running motor → clean dirty filter → dirt in the air motor.
- The motor does not run or switch → this indicates a defect of the control valve in the pump unit.
If necessary, contact HYTORC Nederland B.V. at +31 (0)24-3660660.

9.3.2 Electrical pump units

- Motor makes strange noise and produces no pressure → check rotating direction.
- Motor runs too slow or stops automatically after starting → voltage drop in the power. Usually too thin or too long extension cable is used. Check pump unit with the main plug directly in the electric point.
- Motor runs but does not switch from forward to reverse → rupture in the remote control cable → valve block defect.
- Motor does not run → no electrical power or rupture in supply cable.

FOR MORE INFORMATIE

HYTORC Nederland BV | Platinawerf 8 - 6641 TL Beuningen - NEDERLAND | Tel: +31(0)24 - 3 660 660 | www.hytorc.nl

HYTORC Benelux BVBA | Ysselaarlaan 65B - 2630 Aartselaar - BELGIË | Tel : +32(0)38 - 705 220 | www.hytorc-benelux.be

10. MAINTENANCE

10.1 Inspection before each use

- Check if both oil levels of the pump unit are sufficient.
- Check power supply (air pressure minimum 5 BAR or the right E-voltage).
- Check if the cables and air hose supply of the remote control are not damaged.
- Unreel the hose of the remote control at air pumps completely. Bending of the small air hose can cause failures.
- Check if supply cables are not damaged.
- Check if the hydraulic hoses are not damaged. The working pressure is 700 BAR. Adjust pump pressure at 200 BAR. Check if the needle returns repeatable. Resume at 400 BAR and 700 BAR.
- Drain if there is water in the separator.
- Oil pressure gauges are filled with glycerine. If glycerine level drops, you have a leakage and repair is needed. When gauge is getting filled with hydraulic oil, this is also an indication of internal leakage.
- After each time the tool is used, clean it and check the grease inside the tool.

10.2 Small maintenance

- Hydraulic oil:
Change the oil after 40 operation hours completely or at least 2 times a year. Use only High-grade oil, ISO VG 46 or 32.
- Filter at the pump:
This filter must be changed 3 times a year at normal use and more often if the unit is used each day.
- Quick couplers hoses:
Clean dirty or rigid couplers or replace them.
- Coal brush assembly (electrical unit):
Check and if necessary renew.

10.3 Maintenance at HYTORC

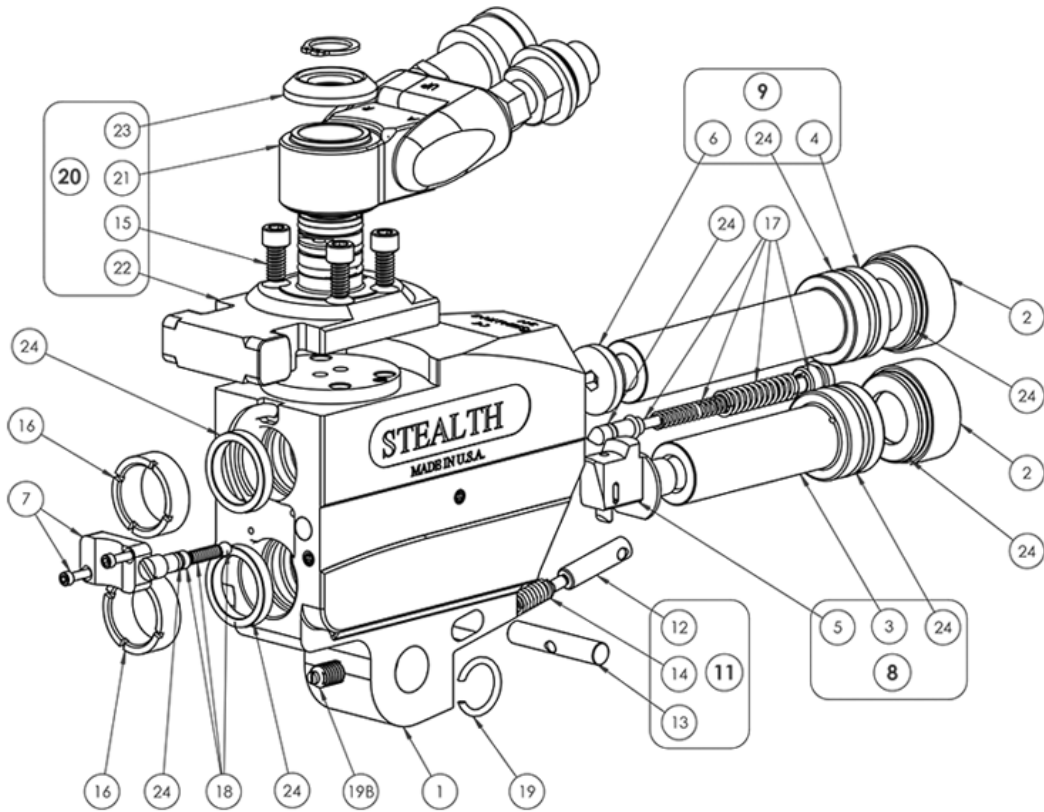
- Torque wrench:
Depending of the usage, but at least once a year, disassemble the complete tool, clean, inspect, change small springs and lubricate again. Inspection on capacity at 100, 200, 300 and 700 BAR.
- Pump unit:
Calibrate pump pressure gauge 1 time a year and fill glycerine level.
- Motor (electrical and air driven):
The rotor axle and bearings; 1 time a year cleaning and lubrication.
- Remote control (air driven unit):
Check the air hoses at flow obstructions and if necessary repair. The operation buttons are supplied with a small spring and have to open and close easily.
- Clean the control valves.

FOR MORE INFORMATIE

HYTORC Nederland BV | Platinawerf 8 - 6641 TL Beuningen - NEDERLAND | Tel: +31(0)24 - 3 660 660 | www.hytorc.nl

HYTORC Benelux BVBA | Ysselaarlaan 65B - 2630 Aartselaar - BELGIË | Tel : +32(0)38 - 705 220 | www.hytorc-benelux.be

11. PARTLIST DRIVING SIDE STEALTH-SERIES



FOR MORE INFORMATIE

HYTORC Nederland BV | Platinawerf 8 - 6641 TL Beuningen - NEDERLAND | Tel: +31(0)24 - 3 660 660 | www.hytorc.nl

HYTORC Benelux BVBA | Ysselaarlaan 65B - 2630 Aartselaar - BELGIË | Tel : +32(0)38 - 705 220 | www.hytorc-benelux.be

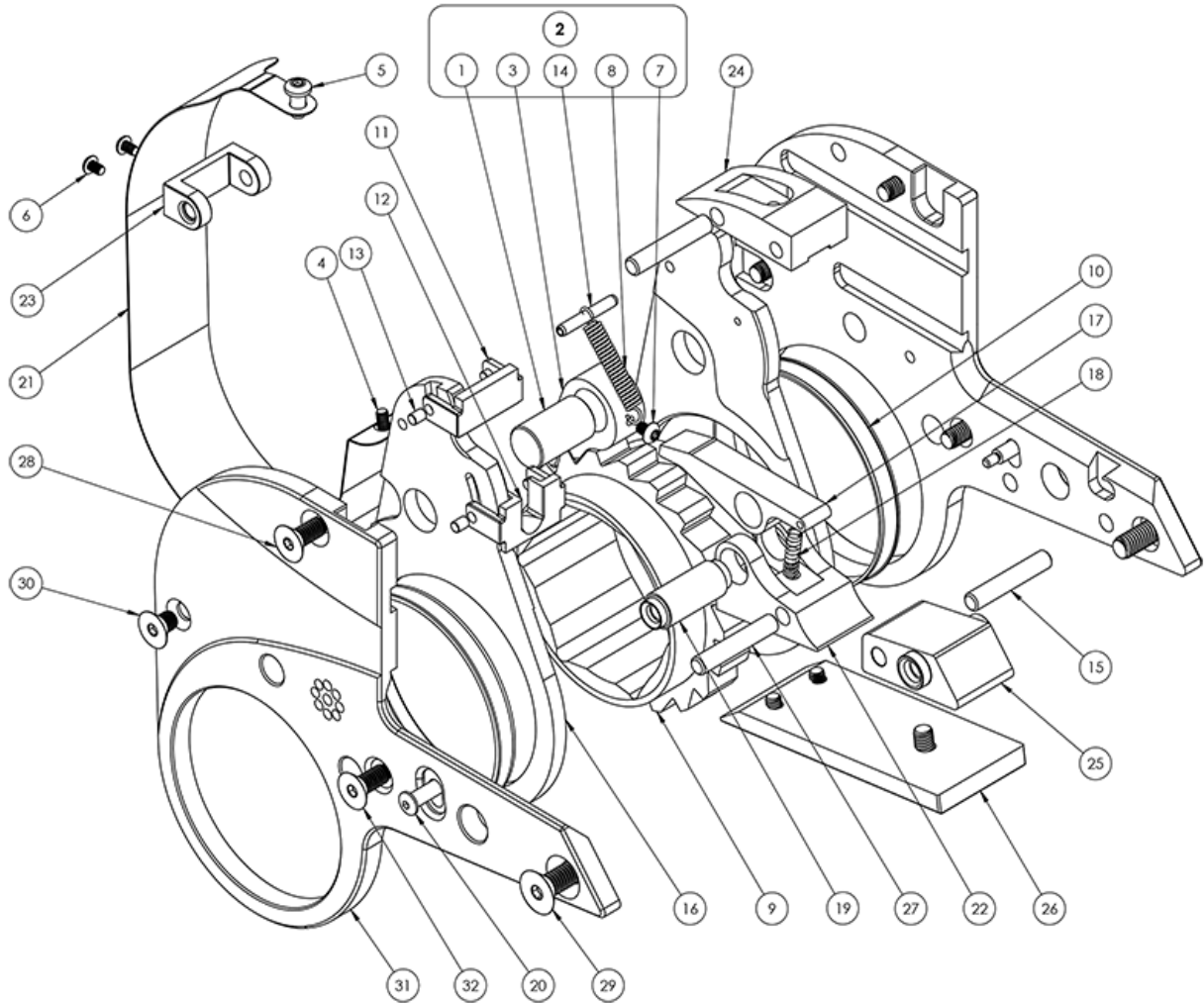
ITEM	QTY	DESCRIPTION	STEALTH-2	STEALTH-4	STEALTH-8	STEALTH-14	STEALTH-22	STEALTH-36
1	1	Housing assembly	ST-02-01	ST-04-01	ST-08-01	ST-14-01	ST-22-01	ST-36-01
2	2	End cap with seal (top/bottom)	ST-02-02T/B	ST-04-02T/B	ST-08-02T/B	ST-14-02T/B	ST-22-02T/B	ST-36-02T/B
3	1	Bottom piston rod	ST-02-03B	ST-04-03B	ST-08-03B	ST-14-03B	ST-22-03B	ST-36-03B
4	1	Top piston rod	ST-02-3T	ST-04-3T	ST-08-03T	ST-14-03T	ST-22-03T	ST-36-03T
5	1	Rod end hook kit (incl. item 10)	ST-02-04B-00	ST-04-04B-00	ST-08-04B-00	ST-14-04B-00	ST-22-04B-00	ST-36-04B-00
6	1	Top rod end	ST-02-04T	ST-04-04T	ST-08-04T	ST-14-04T	ST-22-04T	ST-36-04T
7	1	Anti-rotation kit (with screws)	ST-02-05	ST-04-05	ST-08-05	ST-14-05	ST-22-05	ST-36-05
8	1	Bottom piston rod assembly	ST-02-06B	ST-04-06B	ST-08-06B	ST-14-06B	ST-22-06B	ST-36-06B
9	1	Top piston rod assembly	ST-02-06T	ST-04-06T	ST-08-06T	ST-14-06T	ST-22-06T	ST-36-06T
10	1	Hook pin kit (not shown)	ST-02-09	ST-04-09	ST-08-09	ST-14-09	ST-22-09	ST-36-09
11	1	Release pin kit	ST-02-10	ST-04-10	ST-08-10	ST-14-10	ST-22-10	ST-36-10
12	1	Release pin	ST-02-10-01	ST-04-10-01	ST-08-10-01	ST-14-10-01	ST-22-10-01	ST-36-10-01
13	1	Release dowel	ST-02-10-02	ST-04-10-02	ST-08-10-02	ST-14-10-02	ST-22-10-02	ST-36-10-02
14	1	Release spring	ST-02-10-03	ST-04-10-03	ST-08-10-03	ST-14-10-03	ST-22-10-03	ST-36-10-03
15	4	Post screws	ST-02-13	ST-04-13	ST-08-13	ST-14-13	ST-22-13	ST-36-13
16	2	Rod bushing	N/A	ST-04-15	ST-08-15	ST-08-15	ST-08-15	ST-36-15
17	1	Relief valve kit (with seal)	N/A	ST-04-16	ST-08-16	ST-14-16	ST-22-16	ST-36-16
18	1	Check valve kit (with seal)	N/A	ST-04-17	ST-04-17	ST-04-17	ST-04-17	ST-36-17
19	1	Link pin retainer	ST-02-19	ST-04-19	ST-08-19	N/A	N/A	N/A
19B	1	Ball plunger – link pin retaining	N/A	N/A	N/A	ST-14-19	ST-22-19	ST-36-19
20	1	Uniswivel assembly with post	ST-002	ST-004	ST-008	ST-014	ST-022	ST-036
21	1	Uniswivel block assembly	ST-002-SW	ST-004-SW	ST-004-SW	ST-004-SW	ST-004-SW	ST-004-SW
22	1	Swivel post	ST-002-HP	ST-004-HPA	ST-008-HPA	ST-014-HP	ST-022-HP	ST-036-HP
23	1	Safety cap	ST-002-SC	ST-004-SC	ST-004-SC	ST-004-SC	ST-004-SC	ST-004-SC
24	1	Housing seal kit	ST-02-62	ST-04-62	ST-08-62	ST-14-62	ST-22-62	ST-36-62
25	1	Housing maintenance kit (not shown)	MK-ST2	MK-ST4	MK-ST8	MK-ST14	MK-ST22	MK-ST36
26	1	End cap remover (not shown)	ST2-ECR	ST4-ECR	ST8-ECR	ST14-ECR	ST22-ECR	ST36-ECR
27	1	Link pin (optional (not shown))	XLCT-02-10	XLCT-04-10	XLCT-08-10	XLCT-14-10	XLCT-22-10	XLCT-36-10

FOR MORE INFORMATIE

HYTORC Nederland BV | Platinawerf 8 - 6641 TL Beuningen - NEDERLAND | Tel: +31(0)24 - 3 660 660 | www.hytorc.nl

HYTORC Benelux BVBA | Ysselaarlaan 65B - 2630 Aartselaar - BELGIË | Tel : +32(0)38 - 705 220 | www.hytorc-benelux.be

12. PARTLIST RATCHET STEALTH-SERIES



FOR MORE INFORMATIE

HYTORC Nederland BV | Platinawerf 8 - 6641 TL Beuningen - NEDERLAND | Tel: +31(0)24 - 3 660 660 | www.hytorc.nl

HYTORC Benelux BVBA | Ysselaarlaan 65B - 2630 Aartselaar - BELGIË | Tel : +32(0)38 - 705 220 | www.hytorc-benelux.be

ITEM	QTY	DESCRIPTION	STEALTH-2	STEALTH-4	STEALTH-8	STEALTH-14	STEALTH-22	STEALTH-36
1	1	Drive pawl pin	ST-02-20	ST-04-20	ST-08-20	ST-14-20	ST-22-20	ST-36-20
2	1	Drive pawl assembly kit	ST-02-21-#	ST-04-21-#	ST-08-21-#	ST-14-21-#	ST-22-21-#	ST-36-21-#
3	1	Drive pawl kit	ST-02-22-#	ST-04-22-#	ST-08-22-#	ST-14-22-#	ST-22-22-#	ST-36-22-#
4	1	Shroud screw, bottom	ST-02-23	ST-04-23	ST-08-23	ST-14-23	ST-22-23	ST-36-23
5	1	Shroud screw, top	ST-02-24	ST-04-24	ST-08-24	ST-14-24	ST-22-24	ST-36-24
6	1	Shroud screw, middle spacer	N/A	N/A	N/A	ST-14-25	ST-22-25	ST-36-25
7	1	Drive pawl spring screw	ST-02-26	ST-04-26	ST-08-26	ST-14-26	ST-22-26	ST-36-26
8	1	Drive pawl spring	ST-02-27	ST-04-27	ST-08-27	ST-14-27	ST-22-27	ST-36-27
9	1	Ratchet, hex size	ST-02-28-#	ST-04-28-#	ST-08-28-#	ST-14-28-#	ST-22-28-#	ST-36-28-#
10	2	Side plate sleeve	ST-02-29-#	ST-04-29-#	ST-08-29-#	ST-14-29-#	ST-22-29-#	ST-36-29-#
11	1	Slide, upper	ST-02-30	ST-04-30	ST-08-30	ST-14-30	ST-22-30	ST-36-30
12	1	Slide, bottom	ST-02-31	ST-04-31	ST-08-31	ST-14-31	ST-22-31	ST-36-31
13	4	Slide hook pin	ST-02-32	ST-04-32	ST-08-32	ST-14-32	ST-22-32	ST-36-32
14	1	Roll pin, drive pawl spring	ST-02-33	ST-04-33	ST-08-33	ST-14-33	ST-22-33	ST-36-33
15	1	Dowl pin, rear spacer	ST-02-34	ST-04-34	ST-08-34	ST-14-34	ST-22-34	ST-36-34
16	2	Drive plate (one left, one right)	ST-02-35-#	ST-04-35-#	ST-08-35-#	ST-14-35-#	ST-22-35-#	ST-36-35-#
17	1	Reaction pawl	ST-02-36-#	ST-04-36-#	ST-08-36-#	ST-14-36-#	ST-22-36-#	ST-36-36-#
18	1	Spring, reaction spacer	ST-02-37	ST-04-37	ST-08-37	ST-14-37	ST-22-37	ST-36-37
19	1	Pin, reaction pawl	ST-02-38	ST-04-38	ST-08-38	ST-14-38	ST-22-38	ST-36-38
20	2	Release button, reaction pawl	ST-02-39	ST-04-39	ST-08-39	ST-14-39	ST-22-39	ST-36-39
21	1	Shroud	ST-02-43-#	ST-04-43-#	ST-08-43-#	ST-14-43-#	ST-22-43-#	ST-36-43-#
22	1	Lower front spacer	ST-02-45F-#	ST-04-45F-#	ST-08-45F-#	ST-14-45F-#	ST-22-45F-#	ST-36-45F-#
23	1	Middle spacer	ST-02-45M	ST-04-45M	ST-08-45M	ST-14-45M	ST-22-45M	ST-36-45M
24	1	Top spacer	ST-02-45T	ST-04-45T	ST-08-45T	ST-14-45T	ST-22-45T	ST-36-45T
25	1	Lower rear spacer	ST-02-45R	ST-04-45R	ST-08-45R	ST-14-45R	ST-22-45R	ST-36-45R
26	1	Reaction plate kit	ST-02-45P-#	ST-04-45P-#	ST-08-45P-#	N/A	N/A	N/A
27	2	Dowel pin, spacers	ST-02-48	ST-04-48	ST-08-48	ST-14-48	ST-22-48	ST-36-48
28	2	Top side plate screw	ST-02-49	ST-04-49	ST-08-49	ST-14-49	ST-22-49	ST-36-49
29	2	Side plate screw rear	ST-02-50	ST-04-50	ST-08-50	ST-14-50	ST-22-50	ST-36-50
30	2	Side plate screw, small	ST-02-51	ST-04-51	ST-08-51	ST-14-51	ST-22-51	ST-36-51
31	2	Link side plate (one left, one right)	ST-02-52-#	ST-04-52-#	ST-08-52-#	ST-14-52-#	ST-22-52-#	ST-36-52-#
32	2	Bottom side plate screw	ST-02-53	ST-04-53	ST-08-53	ST-14-53	ST-22-53	ST-36-53
33	1	Link maintenance kit (not shown)	MK-ST2-LK	MK-ST4-LK	MK-ST8-LK	MK-ST14-LK	MK-ST22-LK	MK-ST36-LK

REPLACE # WITH LINK BLANK SIZE

FOR MORE INFORMATIE

HYTORC Nederland BV | Platinawerf 8 - 6641 TL Beuningen - NEDERLAND | Tel: +31(0)24 - 3 660 660 | www.hytorc.nl

HYTORC Benelux BVBA | Ysselaarlaan 65B - 2630 Aartselaar - BELGIË | Tel : +32(0)38 - 705 220 | www.hytorc-benelux.be