

CABINET PARTS

REFRIGERATOR

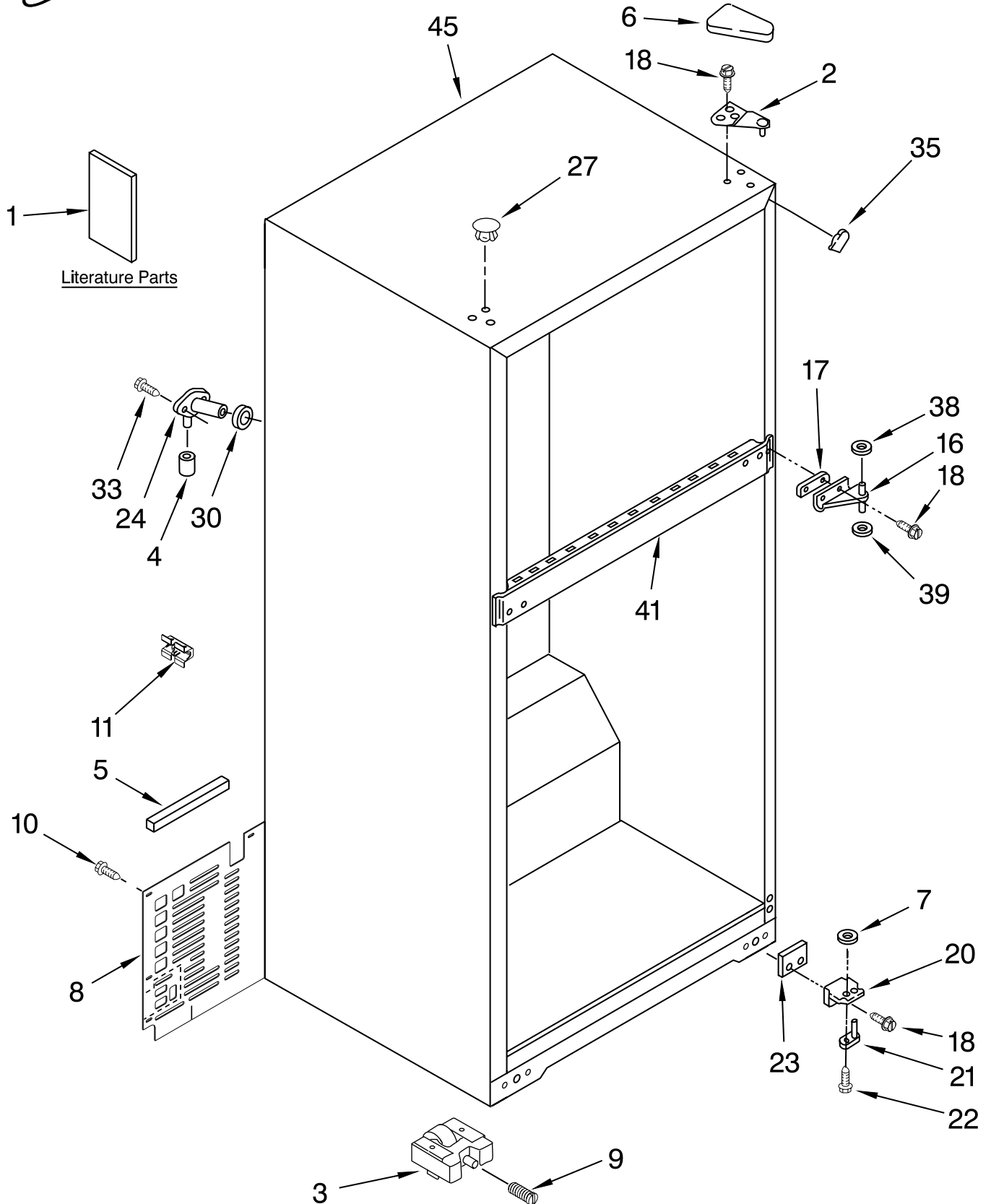
For Models: ER8AHKXRQ01, ER8AHKXRB01, ER8AHKXRL01, ER8AHKXRS01

(White)

(Black)

(Satina)

(Stainless Steel)



FOR ORDERING INFORMATION REFER TO PARTS PRICE LIST

CABINET PARTS

For Models: ER8AHKXRQ01, ER8AHKXRB01, ER8AHKXRL01, ER8AHKXRS01
 (White) (Black) (Satina) (Stainless Steel)

| Illus. No. | Part No. | DESCRIPTION |
|---------------|-------------|------------------------|
| 1 | | Literature Parts |
| | 2265591 | Service & Wiring Sheet |
| | 2316016 | Use & Care Guide |
| | 2266044 | Energy Guide |

Following May Be Purchased

DO-IT-YOURSELF REPAIR MANUALS

| | | |
|----|---------|-----------------------------------|
| | 677969 | Do-It-Yourself Manual, Ref./ Fzr. |
| 2 | 2261963 | Hinge Butt, Top |
| 3 | 2217757 | Roller, Front |
| 4 | 487996 | Cap, Bushing |
| 5 | 2264535 | Foam Block |
| 6 | | Cover, Hinge |
| | 2213360 | White |
| | 2213363 | Black |
| 7 | 488296 | Washer |
| 8 | 2264132 | Cover, Unit |
| 9 | 2222100 | Screw |
| 10 | 489442 | Screw |
| 11 | 2266506 | Spacer-Back-CB |
| 16 | 2166086 | Hinge, Center |
| 17 | | Shim, Hinge Center |
| | 2166043 | White |
| | 2215385 | Black |
| 18 | 489497 | Screw |
| 20 | 2221926 | Hinge Butt, Bottom |
| 21 | 9791682 | Hinge-Pin, Bottom |
| 22 | 3428970 | Screw |
| 23 | 2201567 | Shim, Bottom Hinge |
| 24 | 2174760 | Fitting, Water Tube |
| 27 | | Hole Plug (6) |
| | 2201012 | White |
| | 2183998 | Black |
| 30 | 1106508 | Seal |
| 33 | 2262176 | Screw |
| 35 | | Corner Filler |
| | 2166003 | White |
| | 2215384 | Black |
| 38 | 489341 | Washer |
| 39 | 487802 | Washer 7/64 |
| 41 | | Rail, Center (Not Serviced) |
| 45 | | Cabinet (Not a Serviceable Part) |

DOOR PARTS

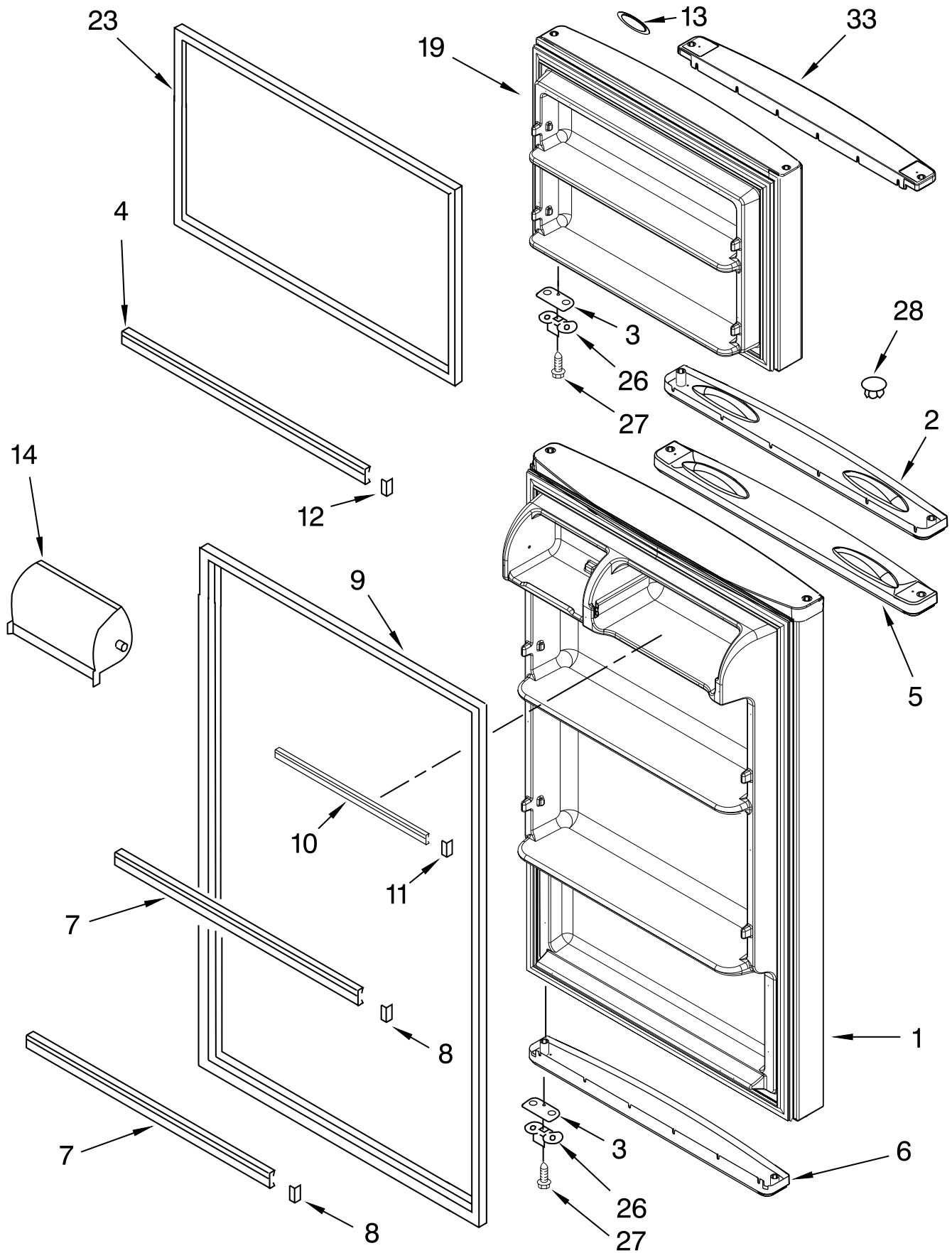
For Models: ER8AHKXRQ01, ER8AHKXRB01, ER8AHKXRL01, ER8AHKXRS01

(White)

(Black)

(Satina)

(Stainless Steel)



FOR ORDERING INFORMATION REFER TO PARTS PRICE LIST

DOOR PARTS

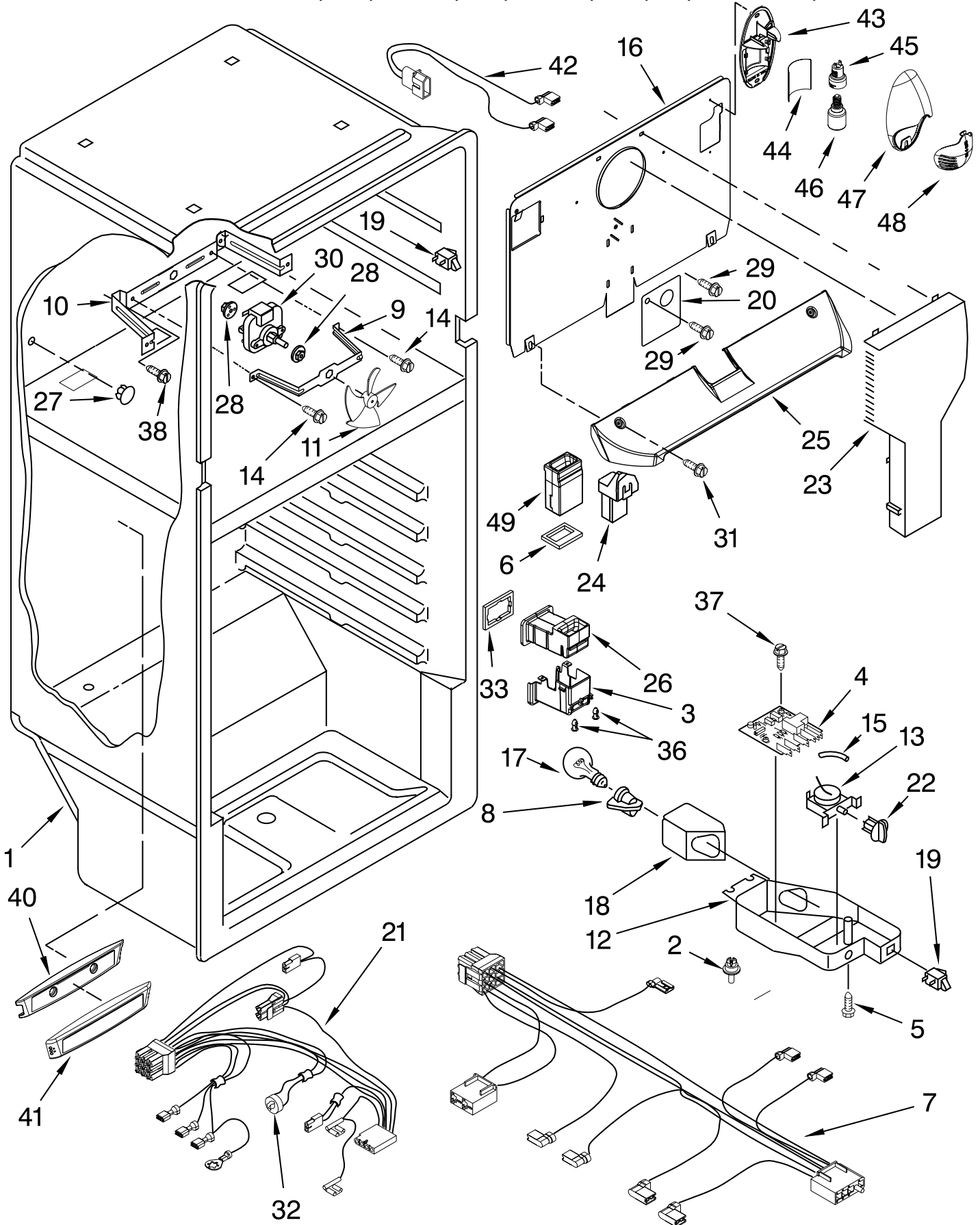
For Models: ER8AHKXRQ01, ER8AHKXRB01, ER8AHKXRL01, ER8AHKXRS01

(White) (Black) (Satina) (Stainless Steel)

| Illus. No. | Part No. | DESCRIPTION | Illus. No. | Part No. | DESCRIPTION | Illus. No. | Part No. | DESCRIPTION |
|------------|----------|---|------------|----------|--------------------------|------------|----------|--|
| 1 | | Refrigerator Door (Includes Illus. 5,6 & 9) | 6 | | Endcap, Bottom | 19 | | Freezer Door (Includes Illus. 2,23 & 33) |
| | 2265677W | White | | 2265647W | White | | | |
| | 2265677B | Black | | 2222048 | Black | | | |
| | 2265677L | Satina | 7 | 2263259 | Trim, Door Shelf | | 2265678W | White |
| | 2265677S | Stainless Steel | 8 | 2195916 | Endcap, Trim | | 2265678B | Black |
| 2 | | Handle, Freezer | 9 | | Door Gasket, Magnetic | | 2265678L | Satina |
| | 2265646W | White | | 2264727 | White | | 2265678S | Stainless Steel |
| | 2258858B | Black | | 2264723 | Black | 23 | | Door Gasket, Magnetic |
| 3 | | Shim, Door Stop | 10 | 2264785 | Trim, Door Shelf | | 2264726 | White |
| | 2258681W | White | 11 | 2156007 | Plug, Trim | | 2264722 | Black |
| | 2258681B | Black | 12 | 2156003 | Endcap, Trim | 26 | 2189202 | Bracket, Door Stop |
| 4 | 2263260 | Trim, Door Shelf | 13 | 2262218 | Nameplate | 27 | 8533904 | Screw |
| 5 | | Handle, Refrigerator | 14 | 2207942 | Door Compartment | 28 | | Hole Plug |
| | 2265645W | White | | | | | 2212648 | White |
| | 2222045 | Black | | | | | 2212651 | Black |
| | | | | | | 33 | | Endcap, Top |
| | | | | | | | 2265644W | White |
| | | | | | | | 2252863 | Black |

LINER PARTS

For Models: ER8AHKXRQ01, ER8AHKXRB01, ER8AHKXRL01, ER8AHKXRS01
 (White) (Black) (Satina) (Stainless Steel)



FOR ORDERING INFORMATION REFER TO PARTS PRICE LIST

LINER PARTS

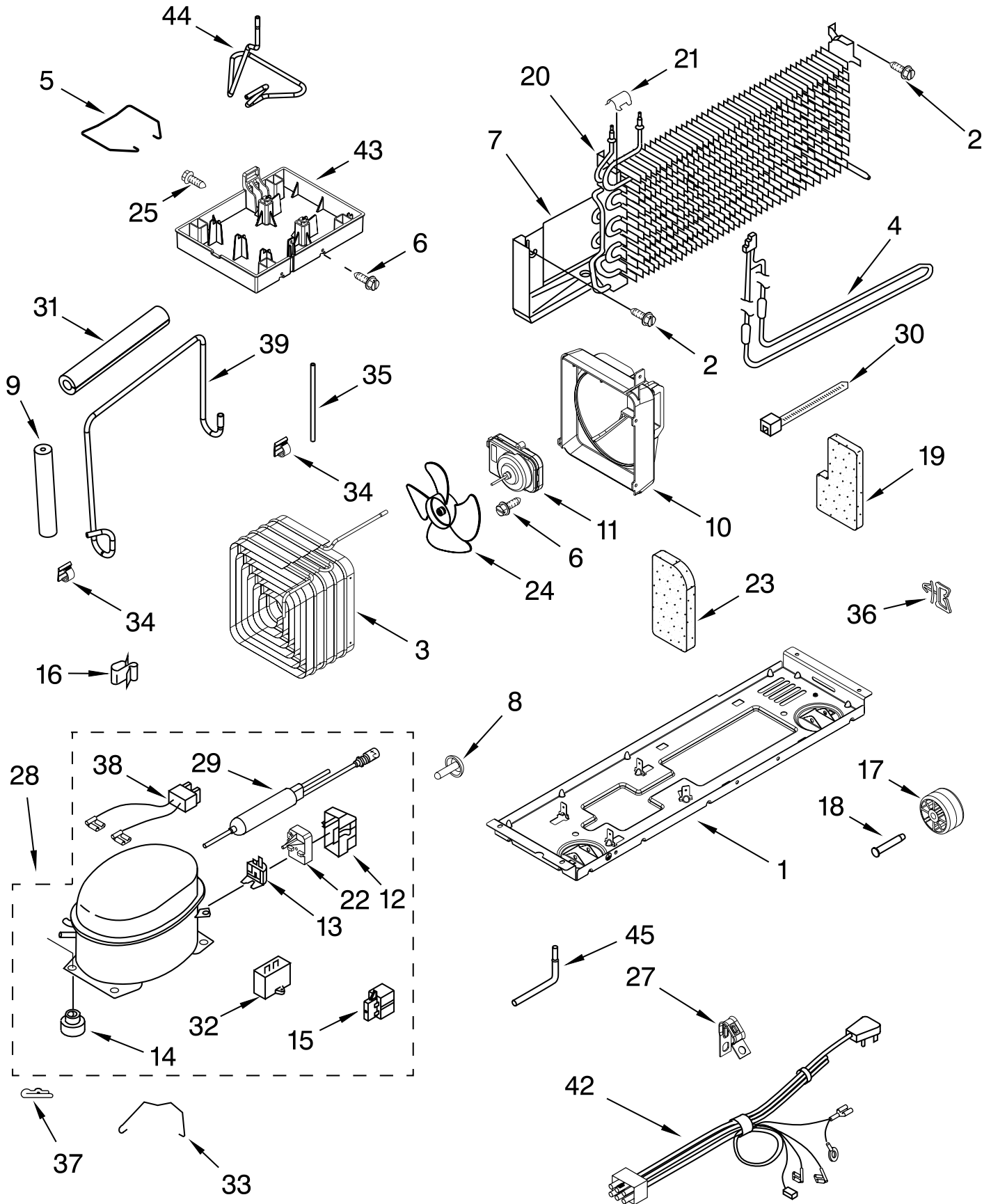
For Models: ER8AHKXRQ01, ER8AHKXRB01, ER8AHKXRL01, ER8AHKXRS01

(White) (Black) (Satina) (Stainless Steel)

| Illus. No. | Part No. | DESCRIPTION | Illus. No. | Part No. | DESCRIPTION | Illus. No. | Part No. | DESCRIPTION |
|------------|----------|--------------------------------|------------|----------|------------------------------------|------------|----------|-------------------------------|
| 1 | | Liner (Not A Serviceable Part) | 16 | 2264715 | Cover, Evaporator | 31 | 2262178 | Screw |
| 2 | 939962 | Rivet | 17 | 2252970 | Light Bulb | 32 | 2211224 | Defrost, BI-Metal |
| 3 | 2252837 | Cover, Air Diffuser | 18 | 9791702 | Light Shield | 33 | 2252846 | Gasket, Body Air Diffuser |
| 4 | 2303825 | Adaptive Defrost Control | 19 | 1118894 | Rocker Arm Switch | 36 | 2256983 | Rivet |
| 5 | 489174 | Screw | 20 | 2217784 | Cover, Hole | 37 | 488693 | Screw |
| 6 | 2263075 | Gasket, Air Duct | 21 | 2261881 | Wiring, Freezer (Includes Item 32) | 38 | 489442 | Screw |
| 7 | 2262434 | Wire Assembly Control Box | 22 | 2202885 | Control Knob | 40 | 2256958 | Insulation (4) |
| 8 | 2162085 | Socket, Light | 23 | 9790408 | Air Tower | 41 | 2263082 | Grill (4) |
| 9 | 2197404 | Fan Support Bracket | 24 | 2197052 | Hood And Foil Assembly | 42 | 2261879 | Wiring Harness, Freezer Light |
| 10 | 2197405 | Fan Mounting Bracket | 25 | 2261978 | Cover, Air Return | 43 | 2256949 | Light Holder |
| 11 | 2169142 | Fan Blade | 26 | 2256715 | Air Diffuser | 44 | 2256948 | Deflector, Light |
| 12 | 2263083 | Control Box | 27 | 941839 | Hole Plug | 45 | 2263413 | Light Socket |
| 13 | 2201754 | Thermostat | 28 | 2264462 | Grommet, Motor | 46 | R-31244 | Light Bulb |
| 14 | 489399 | Screw | 29 | 489478 | Screw | 47 | 2256946 | Cover, Light Holder |
| 15 | 1118680 | Thermostat Tube Barrier | 30 | 2201212 | Evaporator Fan Motor | 48 | 2256947 | Lens, Light |
| | | | | | | 49 | 2252831 | Air Duct Assembly |

UNIT PARTS

For Models: ER8AHKXRQ01, ER8AHKXRB01, ER8AHKXRL01, ER8AHKXRS01
 (White) (Black) (Satina) (Stainless Steel)



FOR ORDERING INFORMATION REFER TO PARTS PRICE LIST

UNIT PARTS

For Models: ER8AHKXRQ01, ER8AHKXRB01, ER8AHKXRL01, ER8AHKXRS01

(White)

(Black)

(Satina)

(Stainless Steel)

| Illus. No. | Part No. | DESCRIPTION |
|------------|----------|-------------------------------|
| 1 | 2262904 | Support Plate, Compressor |
| 2 | 489442 | Screw |
| 3 | 2264004 | Condenser |
| 4 | 2176942 | Heater, Defrost |
| 5 | 2264835 | Clip, Condensor |
| 6 | 8533859 | Screw |
| 7 | 2264762 | Heat Shield |
| 8 | 2264516 | Snap Rivet |
| 9 | 2161302 | Sleeve |
| 10 | 2263929 | Air Baffle |
| 11 | 2188875 | Motor, Condensor |
| 12 | 4387731 | Cover (Service Only) |
| 13 | 4390624 | Overload (Service Only) |
| 14 | | Grommet |
| | 2264447 | Production |
| | 4387558 | Service |
| 15 | 2183454 | Start Relay (Service Only) |
| 16 | 939054 | Clip, Wire |
| 17 | 2150304 | Roller |
| 18 | 981126 | Axle, Rivet |
| 19 | 2262191 | Wedge, Evaporator |
| 20 | 2263920 | Evaporator Assy. |
| 21 | 9791833 | Clip, Evaporator Tube |

| Illus. No. | Part No. | DESCRIPTION |
|------------|----------|--|
| 22 | 2225929 | Start- Device Combination (Start Relay and Overload for Production Compressor Only) |
| 23 | 2262192 | Wedge, Evaporator |
| 24 | 2264129 | Fan Blade |
| 25 | 2264841 | Screw |
| 27 | 549193 | Clamp, Cord |
| 28 | 2217634 | Compressor (Includes Items 12,13,14,15,29 32 & 38) |
| 29 | | Drier |
| | 2201796 | Production |
| | 4387019 | Service |
| 30 | 2263990 | Strap |
| 31 | 2264838 | Sleeve |
| 32 | | Capacitor |
| | 2264017 | Production |
| | 1118576 | Service |
| 33 | 2212996 | Bale Strap |
| 34 | 1114718 | Clip, Wiring |
| 35 | 2264278 | Tube, Drain |
| 36 | 2266467 | Clip-Harness |
| 37 | 24364001 | Clip, Compressor |
| 38 | 4387765 | Wire Assembly (Service Only) |
| 39 | 2264131 | Extension, Tube-Heat |
| 42 | 2263753 | Wire Assy. Unit |

| Illus. No. | Part No. | DESCRIPTION |
|------------|----------|-----------------|
| 43 | 2263928 | Evaporator Tray |
| 44 | 2316181 | Tube, Discharge |
| 45 | VS20001 | Tube, Process |

Following Parts Not Illustrated and Optional Parts Not Included

| | |
|--------|-----------------------|
| 978025 | Valve, Access (1/4") |
| 978026 | Valve, Access (5/16") |
| 978027 | Valve, Access (3/8") |
| 978028 | Valve, Access (1/2") |
| 978029 | Valve, Access (5/8") |
| 978030 | Valve, Access (3/4") |
| 876764 | Valve, Access (3/16") |

REFRIGERANT CHARGE

3.75 Ozs.
(R134A)



SHELF PARTS

For Models: ER8AHKXRQ01, ER8AHKXRB01, ER8AHKXRL01, ER8AHKXRS01

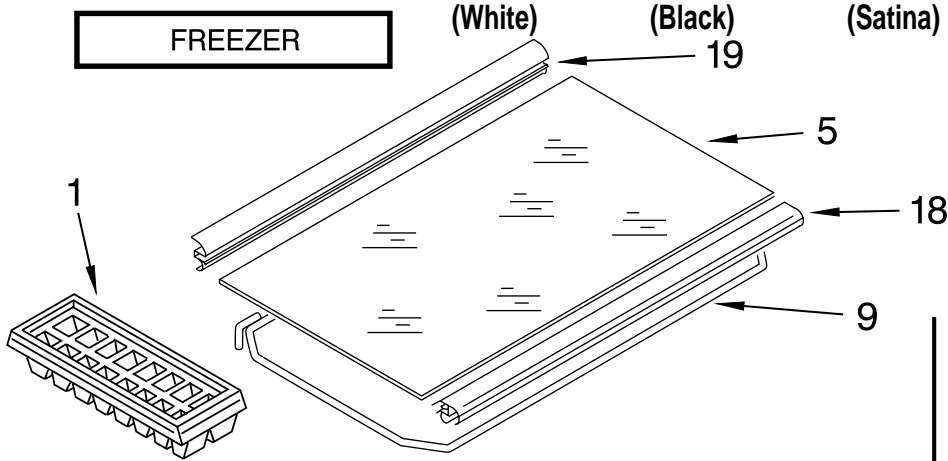
FREEZER

(White)

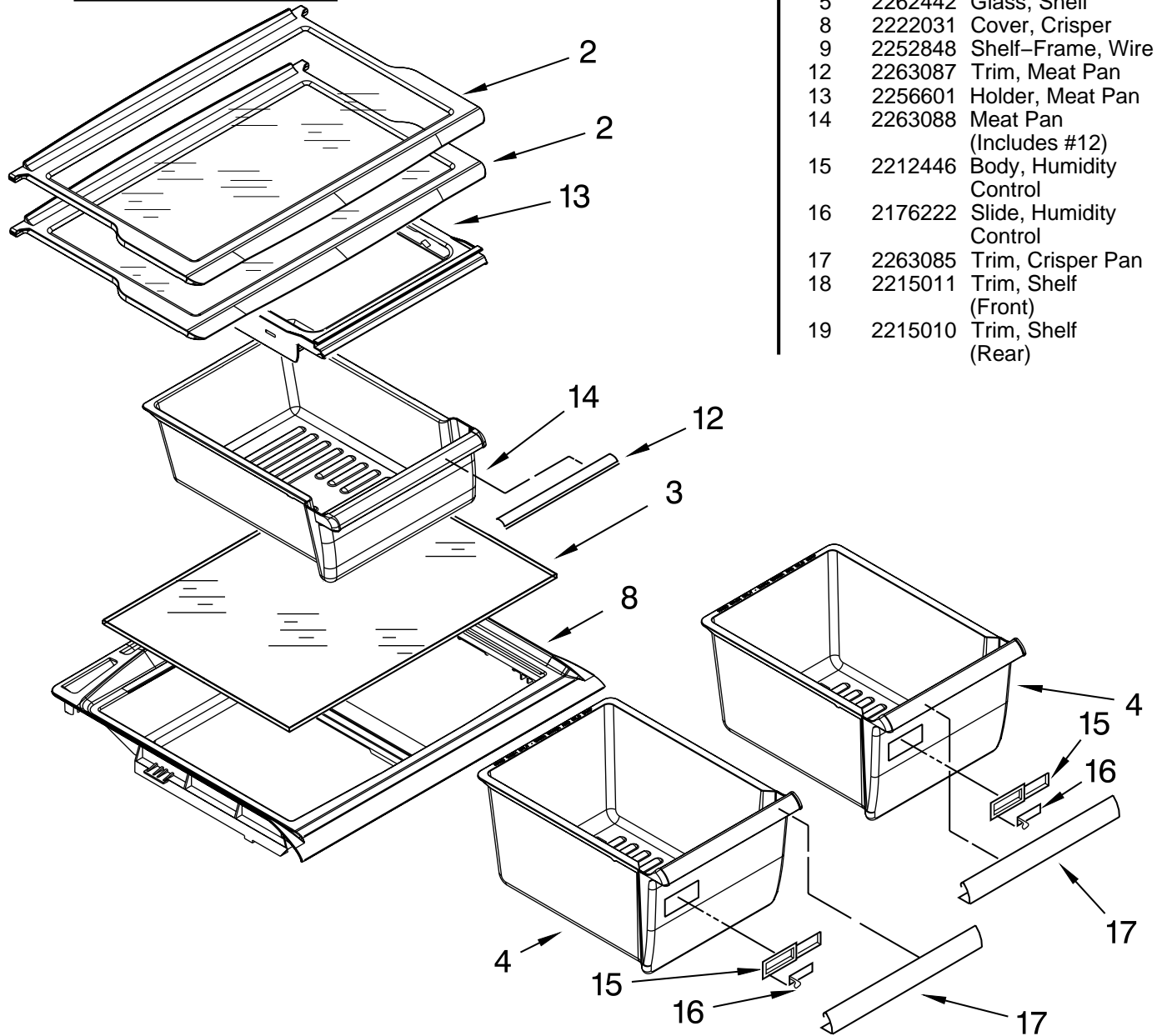
(Black)

(Satina)

(Stainless Steel)



REFRIGERATOR



| Illus. No. | Part No. | DESCRIPTION |
|------------|----------|---|
| 1 | 2201793 | Ice Tray (2) |
| 2 | 2263641 | Shelf |
| 3 | 2262441 | Glass Cover |
| 4 | 2263086 | Crisper Pan (Includes Items 15, 16 & 17) |
| 5 | 2262442 | Glass, Shelf |
| 8 | 2222031 | Cover, Crisper |
| 9 | 2252848 | Shelf-Frame, Wire |
| 12 | 2263087 | Trim, Meat Pan |
| 13 | 2256601 | Holder, Meat Pan |
| 14 | 2263088 | Meat Pan (Includes #12) |
| 15 | 2212446 | Body, Humidity Control |
| 16 | 2176222 | Slide, Humidity Control |
| 17 | 2263085 | Trim, Crisper Pan |
| 18 | 2215011 | Trim, Shelf (Front) |
| 19 | 2215010 | Trim, Shelf (Rear) |

FOR ORDERING INFORMATION REFER TO PARTS PRICE LIST

OPTIONAL PARTS (NOT INCLUDED)

For Models: ER8AHKXRQ01, ER8AHKXRB01, ER8AHKXRL01, ER8AHKXRS01

(White) (Black) (Satina) (Stainless Steel)

| Illus. No. | Part No. | DESCRIPTION |
|--|----------|--|
| Parts Not Illustrated and Optional Parts (Not Included) | | |
| 978941 | | Insulation, Fiberglass (63-1/2" x 35-1/2" x 2-5/8") |
| 212643 | | Sealer, Gum (4 Feet) |
| 479502 | | Tape, Vinyl (3/4" x 108") |
| 876305 | | Kit, Insulation (14 Pcs. 3" x 24" x 48") |
| 876370 | | Kit, Insulation (2 Pcs. 3" x 24" x 48") |
| 876029 | | Kit, Foam Slab (30" x 32-1/2" x 1-1/2") |
| 505587 | | Sealer, Mastic (1 Qt.) |
| 511873 | | Touch-Up, White Porcelain (2 Oz.) |
| 542638 | | Grease, Silicone (1/2 Oz.) |
| 542639 | | Cement, Alumilastic (1-1/4 Oz.) |
| 606755 | | Bag, Insulation (36-5/8" x 46") |
| 799833 | | Kit, Evaporator Repair (Aluminum Epoxy) |
| 799832 | | Kit, Porcelain Repair (White) |
| 503695 | | Cork Sealer (1/4 Pound) |

| Illus. No. | Part No. | DESCRIPTION |
|-----------------------------------|----------|---------------------------------------|
| Customer Touch-Up Material | | |
| * | 350942 | Primer, White (12 Oz. Spray Can) |
| * | 350939 | Enamel, Black (12 Oz. Spray Can) |
| * | 350930 | Enamel, White (12 Oz. Spray Can) |
| * | 4392901 | Enamel, Biscuit (12 Oz. Spray Can) |
| | 72017 | Brush Touch-Up Kit (White) |
| | 72032 | Brush Touch-Up Kit (Black) |
| | 4392899 | Brush Touch-Up Kit (Biscuit) |

| Illus. No. | Part No. | DESCRIPTION |
|-----------------------------|----------|----------------------------------|
| Refinishing Material | | |
| | 799344 | Enamel, White (1 Qt. Uncut) |
| | 799340 | Enamel, Black (1 Qt. Uncut) |
| | 4392900 | Enamel, Biscuit (1 Qt. Uncut) |
| | 833938 | Kit, Terminal Connector |

* **Important:** The spray paint is not to be used where the paint may make contact with the door gaskets.