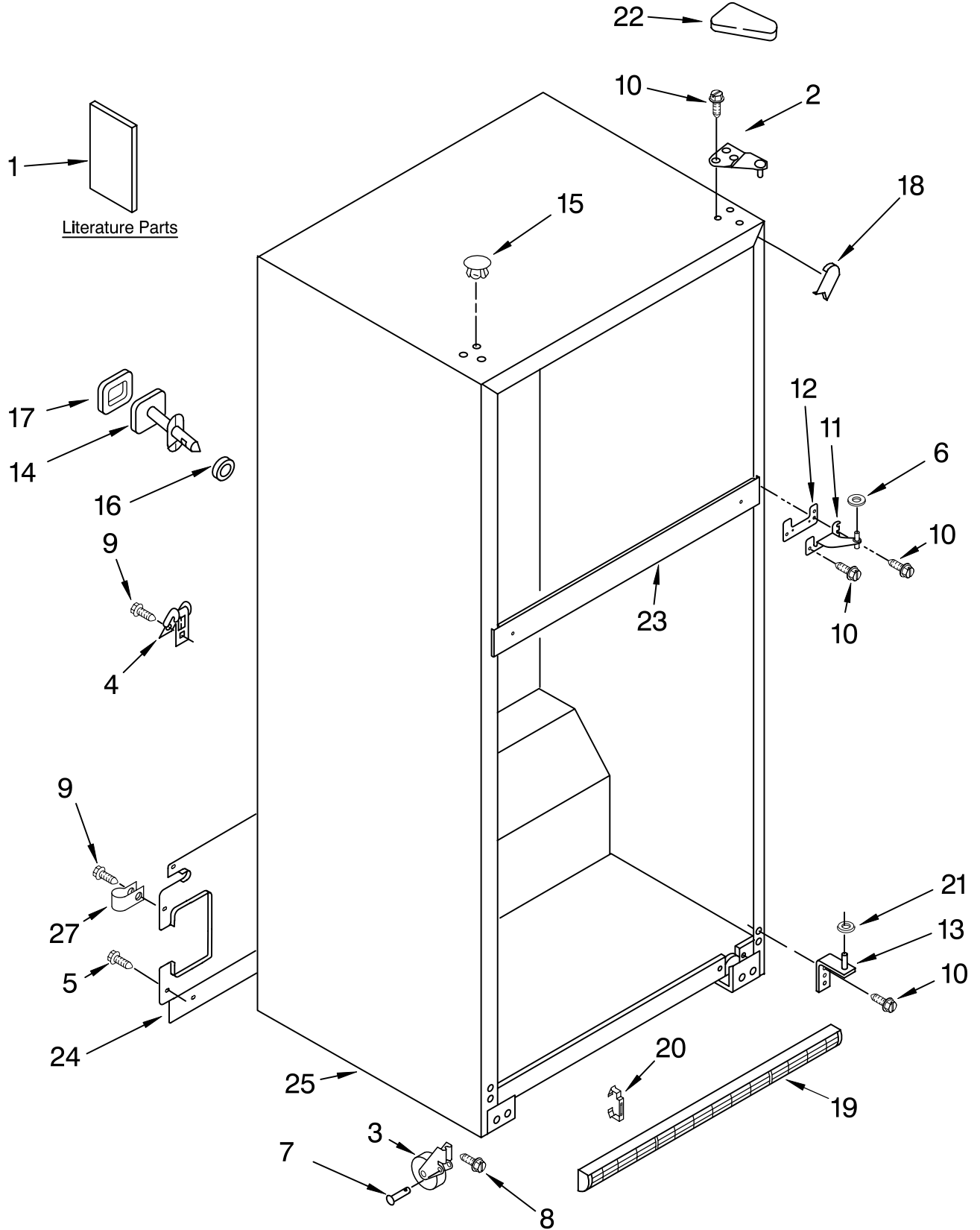




CABINET PARTS

REFRIGERATOR

For Models: ER2MHKXPQ07, ER2MHKXPB07, ER2MHKXPL07
(White) (Black) (Stainless-VCM)



FOR ORDERING INFORMATION REFER TO PARTS PRICE LIST

CABINET PARTS

For Models: ER2MHKXPQ07, ER2MHKXPB07, ER2MHKXPL07
(White) (Black) (Stainless-VCM)

Illus. No.	Part No.	DESCRIPTION
1		Literature Parts
	W10142142	Service & Wiring Sheet
	2319928	Energy Label
		Use & Care Guide
	W10131409	Bilingual
	W10131417	Trilingual

Following May Be Purchased

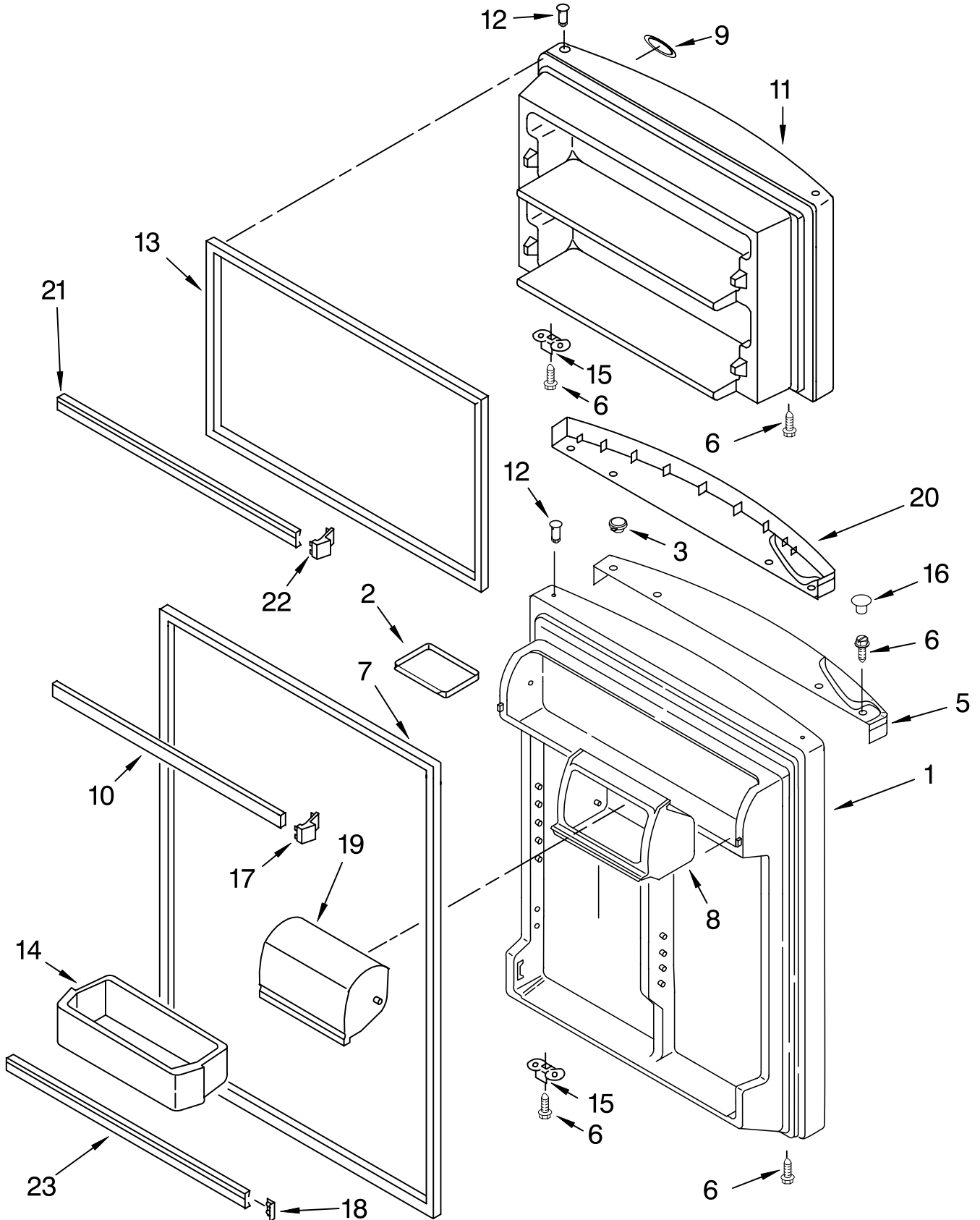
DO-IT-YOURSELF REPAIR MANUALS

	677969	Do-It-Yourself Manual, Ref./Fzr.
2	2189410	Hinge (Top)
3	2166108	Roller, Front (2)
4	549193	Clamp-Service Cord
5	489427	Screw
6	489341	Washer
7	2179826	Rivet
8	3400504	Screw
9	8281265	Screw
10	489497	Screw
11	2254618	Hinge, Center
12	2183854	Shim, Hinge Center
13	2254473	Hinge Butt
14		Fitting, Water Tube (Not Serviced)
15		Hole Plug (6)
	2201012	White
	2183998	Black
16		Seal, Front (Not Serviced)
17		Seal, Rear (Not Serviced)
18		Corner Filler (2)
	2201014	White
	2201017	Black
19		Grille (Includes Illus. 20)
	2254313	White
	2254315	Black
20	2189356	Clip, Grille (2)
21	487576	Washer
22		Cover, Hinge
	2213360	White
	2213363	Black
23		Rail, Center (Not Serviced)
24	2254576	Cover, Unit
25		Cabinet (Not a Serviceable Part)
27	489385	Tube Clamp

FOR ORDERING INFORMATION REFER TO PARTS PRICE LIST

DOOR PARTS

For Models: ER2MHKXPQ07, ER2MHKXPB07, ER2MHKXPL07
(White) (Black) (Stainless-VCM)



FOR ORDERING INFORMATION REFER TO PARTS PRICE LIST

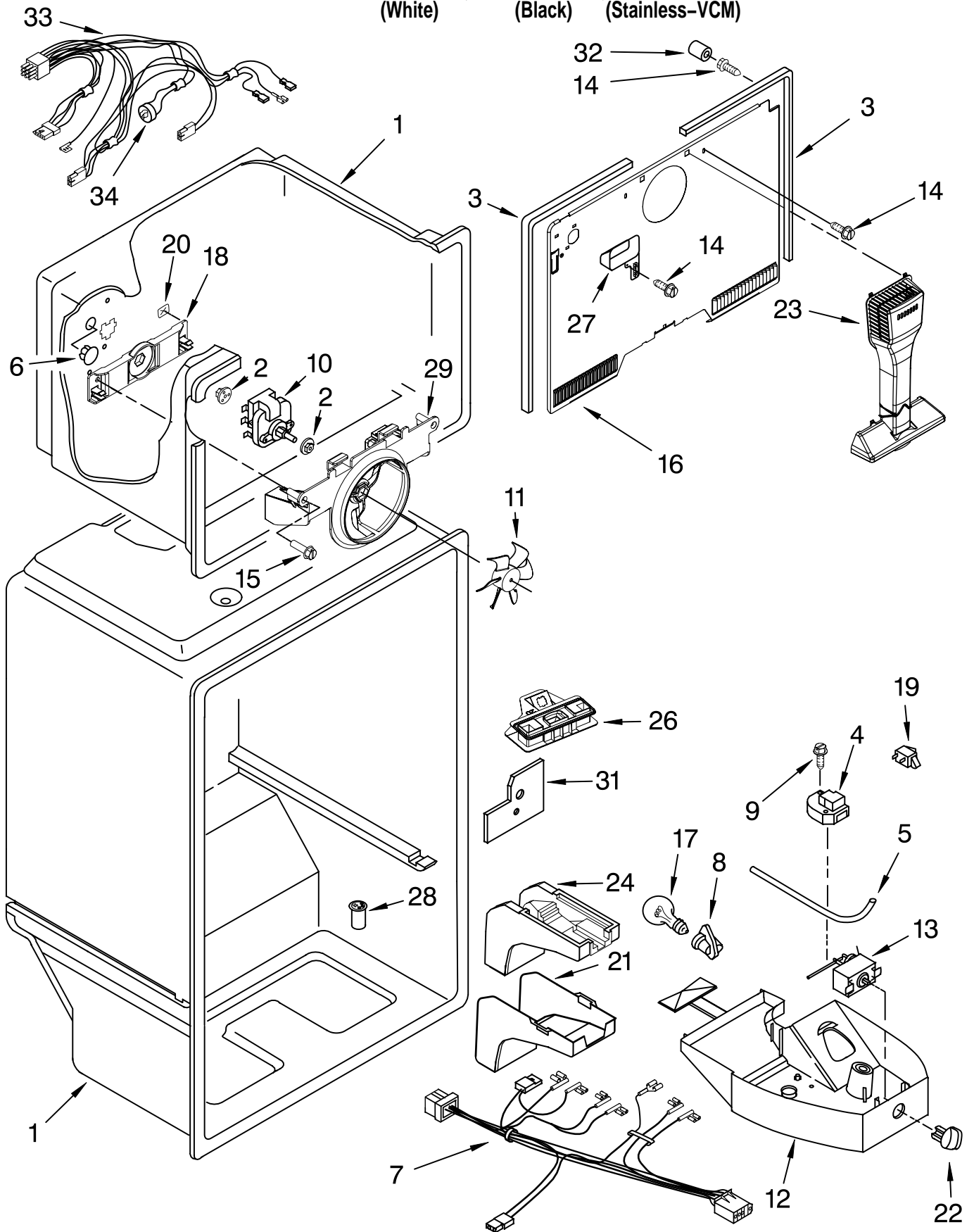
DOOR PARTS

For Models: ER2MHKXPQ07, ER2MHKXPB07, ER2MHKXPL07
(White) (Black) (Stainless-VCM)

Illus. No.	Part No.	DESCRIPTION
1		Refrigerator Door (Includes Illus. 7 & 12)
	2202519	White
	2204867	Black
	2218505	Stainless VCM
2	2195388	Tray, Door
3		Hole Plug, Endcap
	2204837	White
	2204840	Black
5		Endcap, Handle
	2212624	White
	2221644	Black (Refrigerator)
6	489276	Screw
7		Door Gasket, Magnetic
	2202875	Mist Beige
	2202882	Black
8	2210566	Housing Compartment
9	2262218	Nameplate
10	2159306	Trim, Door Shelf
11		Freezer Door (Includes Illus. 12 & 13)
	2202520	White
	2204856	Black
	2218508	Stainless VCM
12	2314293	Thimble
13		Door Gasket, Magnetic
	2214967	Mist Beige
	2214969	Black
14	2204813	Bin, Door Shelf
15	2189202	Bracket, Door Stop (2)
16		Hole Plug
	2212648	White
	2212651	Black
17	2177340	Endcap, Trim (2)
18	2156006	Plug, Trim
19	2218109	Compartment Door
20		Endcap, Handle (Freezer)
	2225094	White
	2225108	Black
21	2195947	Trim, Door (2)
22	2195916	Endcap, Trim (4)
23	2195948	Trim, Door

LINER PARTS

For Models: ER2MHKXPQ07, ER2MHKXPB07, ER2MHKXPL07
(White) (Black) (Stainless-VCM)



FOR ORDERING INFORMATION REFER TO PARTS PRICE LIST

LINER PARTS

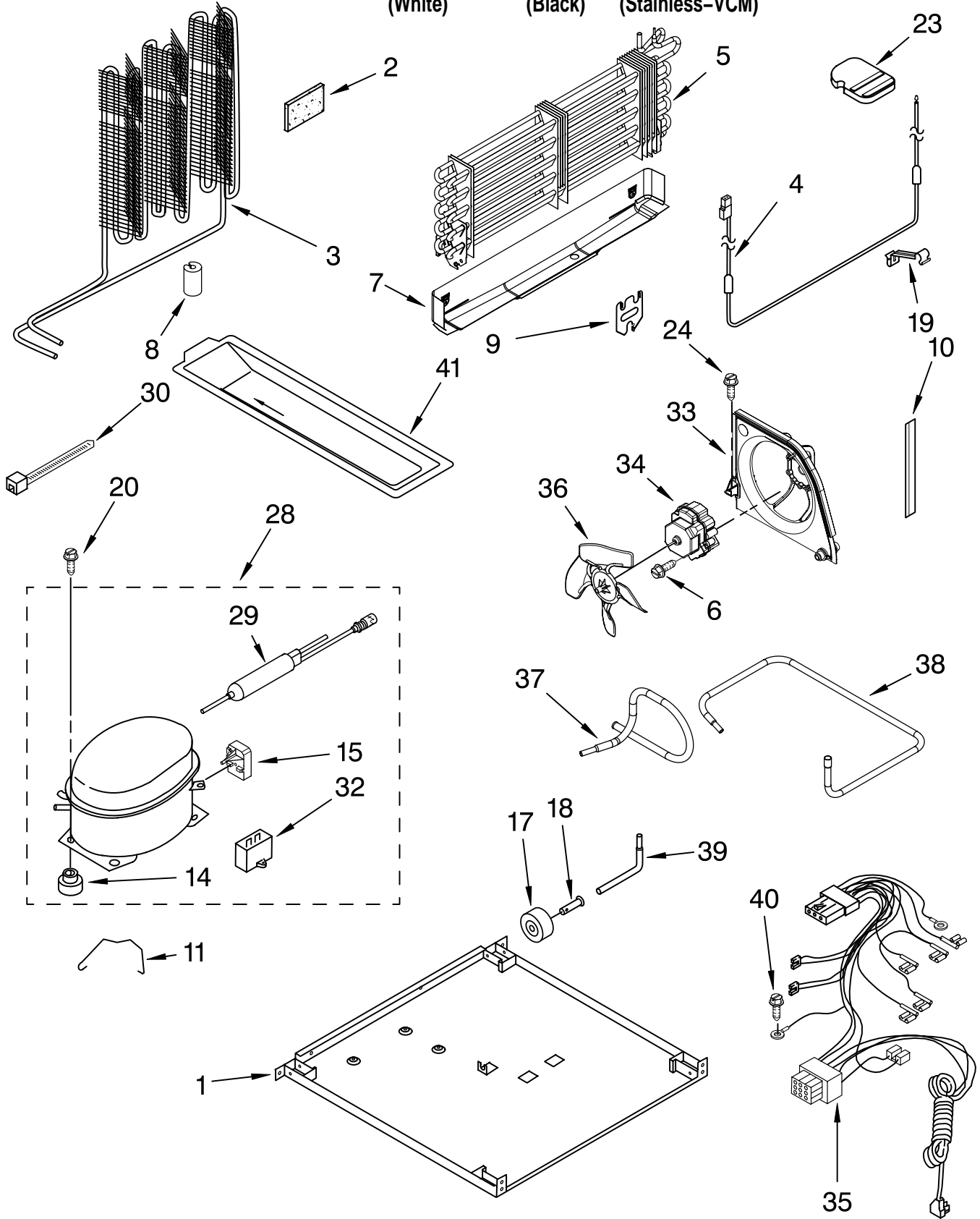
For Models: ER2MHKXPQ07, ER2MHKXPB07, ER2MHKXPL07
(White) (Black) (Stainless-VCM)

Illus. No.	Part No.	DESCRIPTION
1		Liner (Not a Serviceable Part)
2	2197380	Grommet (2)
3	2254360	Gasket, Evaporator Cover (2)
4	2314156	Defrost Timer
5	2204640	Thermostat, Tube Barrier
6	941839	Hole Plug
7	2310078	Wire Assembly Control Box
8	2162085	Socket, Light
9	98129	Screw (2)
10	2315539	Fan Motor
11	2163777	Fan Blade
12	2218381	Control Box
13	2225460	Thermostat
14	489478	Screw
15	488208	Screw
16	2320194	Cover, Evaporator
17	2160708	Light Bulb
18	2254454	Bracket Evap. Fan, Rear
19	1118894	Switch, Rocker Arm
20	2320183	Retainer-Screw (2)
21	2176281	Cover, Air Diffuser
22	2202885	Knob, Thermostat
23	2254354	Air Tower
24	2189452	Air Diffuser, Bottom
26	2212439	Air Separator Assembly
27	2205003	Cover, Hole
28	2171931	Valve-Tube, Body
29	2254453	Bracket, Fan Motor
31	2204639	Shield, Heat
32	487996	Cap
33	W10129795	Wire Assembly Freezer Compartment (Includes Item 34)
34	2321800	Defrost, BI-Metal

FOR ORDERING INFORMATION REFER TO PARTS PRICE LIST

UNIT PARTS

For Models: ER2MHKXPQ07, ER2MHKXPB07, ER2MHKXPL07
(White) (Black) (Stainless-VCM)



FOR ORDERING INFORMATION REFER TO PARTS PRICE LIST

UNIT PARTS

For Models: ER2MHKXPQ07, ER2MHKXPB07, ER2MHKXPL07
(White) (Black) (Stainless-VCM)

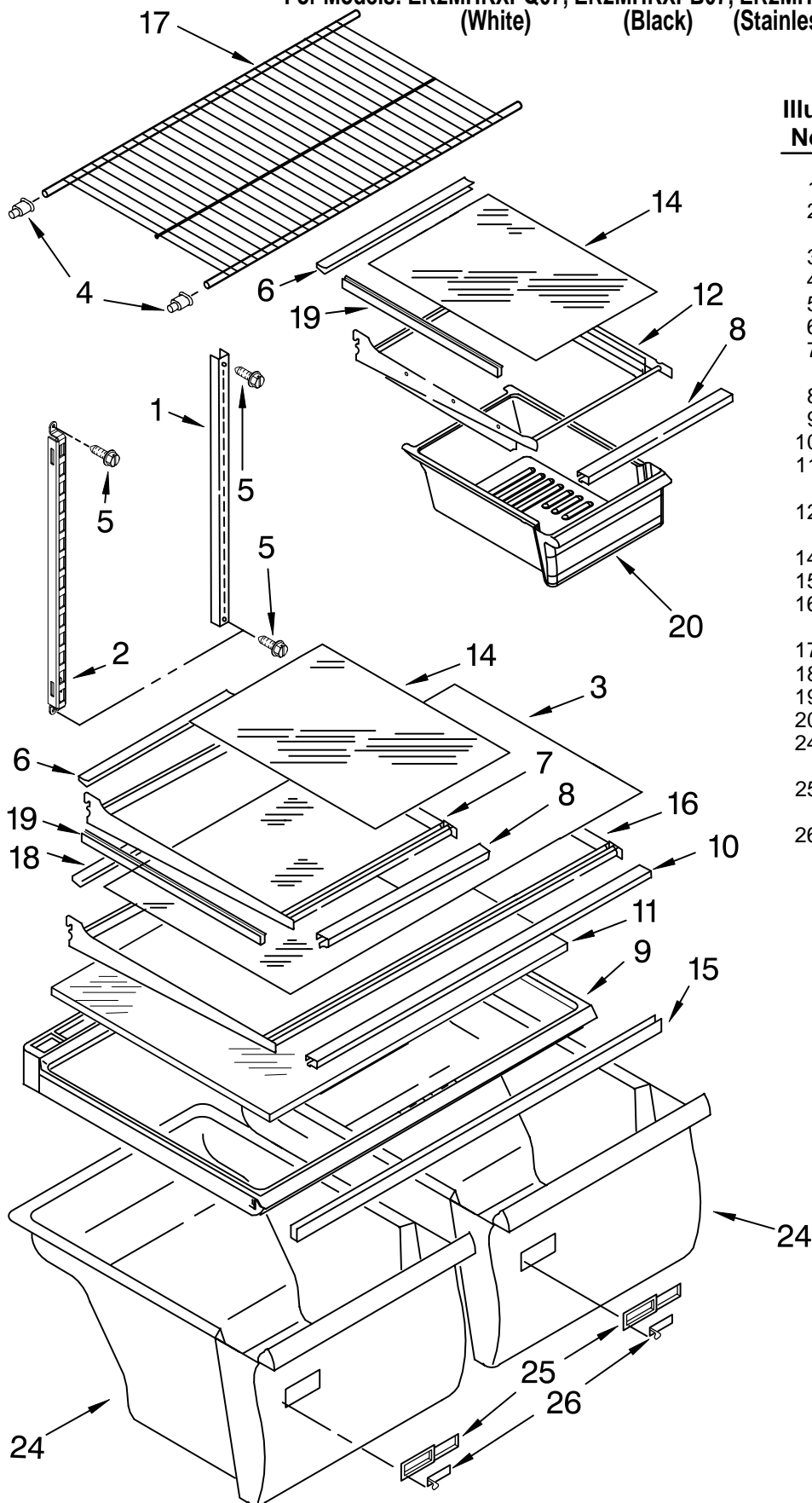
Illus. No.	Part No.	DESCRIPTION	Illus. No.	Part No.	DESCRIPTION	Illus. No.	Part No.	DESCRIPTION
1	2320187	Plate, Unit Mounting	18	2221797	Rivet	<hr/> Following Parts Not Illustrated and Optional Parts Not Included <hr/>		
2	2169104	Insulation, Sound Dampening	19	2182338	Clip, Heater			
3	2214960	Condenser	20	489373	Screw			
4	2314157	Heater, Defrost	23	2201185	Support Block			
5	2254249	Evaporator Assy.	24	3400518	Screw			
6	8533859	Screw	28	2218994	Compressor (Includes Items 14, 29 & 32)			
7	2254295	Drain Pan	29		Drier			
8	2319835	Grommet, Cond.(4)		2317845	Service			
9	2176301	Bracket, Heater	30	2155774	Clamp			
10	2300638	Extension, Air Baffle	32		Capacitor			
11	2255113	Bale Strap		2264017	Production	978025		Valve, Access (1/4")
14		Grommet (4)		1118576	Service	978026		Valve, Access (5/16")
	1100826	Production	33	2315541	Air Baffle	978027		Valve, Access (3/8")
	4387558	Service	34	2188874	Motor, Condenser	978028		Valve, Access (1/2")
15	2225929	Start Relay & Overload Combo Device	35	2310433	Wire Assy, Unit	978029		Valve, Access (5/8")
			36	2225834	Fan Blade	978030		Valve, Access (3/4")
17	2150304	Roller (2)	37	2205384	Tube, Discharge	876764		Valve, Access (3/16")
			38	2225237	Tube, Suction	<hr/> REFRIGERANT CHARGE <hr/> 4.00 Ozs. (R134A)		
			39	2154109	Tube, Process			
			40	488500	Screw			
			41	2254574	Tray, Evaporator			



FOR ORDERING INFORMATION REFER TO PARTS PRICE LIST

SHELF PARTS

For Models: ER2MHKXPQ07, ER2MHKXPB07, ER2MHKXPL07
(White) (Black) (Stainless-VCM)



Illus. No.	Part No.	DESCRIPTION
1	2210522	Shelf, Ladder (2)
2	2300520	Shelf, Ladder Center
3	2200988	Glass, Full Shelf
4	2163762	Cup, Shelf Mtg.
5	489478	Screw
6	2188687	Trim Shelf, Rear
7	2201102E	Shelf, Cantilever
8	2188685	Trim, Shelf Front
9	2314502	Crisper Cover
10	2188691	Trim Shelf, Front
11	2210573	Insert, Crisper Cover
12	2201106	Pan Shelf, Cantilever
14	2200987	Glass, Shelf
15	2314478	Crisper Support
16	2201104E	Shelf, Full Cantilever
17	2189454	Shelf, Freezer
18	2188689	Trim, Shelf Rear
19	2188711	Trim Shelf, Side
20	2218132K	Pan, Meat
24	2218130	Crisper Pan (Includes 25 & 26)
25	2212446	Body, Humidity Control
26	2176222	Slide, Humidity Control

FOR ORDERING INFORMATION REFER TO PARTS PRICE LIST

OPTIONAL PARTS (NOT INCLUDED)

For Models: ER2MHKXPQ07, ER2MHKXPB07, ER2MHKXPL07
(White) (Black) (Stainless-VCM)

Illus. Part No. No. DESCRIPTION	Illus. Part No. No. DESCRIPTION	Illus. Part No. No. DESCRIPTION
<p>Parts Not Illustrated and Optional Parts (Not Included)</p>	<p>Customer Touch-Up Material</p>	<p>ICE MAKER FIELD INSTALLABLE</p>
<p>978941 Insulation, Fiberglass (63-1/2" x 35-1/2" x 2-5/8")</p> <p>212643 Sealer, Gum (4 Feet)</p> <p>479502 Tape, Vinyl (3/4" x 108")</p> <p>876305 Kit, Insulation (14 Pcs. 3" x 24" x 48")</p> <p>876370 Kit, Insulation (2 Pcs. 3" x 24" x 48")</p> <p>876029 Kit, Foam Slab (30" x 32-1/2" x 1-1/2")</p> <p>505587 Sealer, Mastic (1 Qt.)</p> <p>511873 Touch-Up, White Porcelain (2 Oz.)</p> <p>542638 Grease, Silicone (1/2 Oz.)</p> <p>542639 Cement, Alumilastic (1-1/4 Oz.)</p> <p>606755 Bag, Insulation (36-5/8" x 46")</p> <p>799833 Kit, Evaporator Repair (Aluminum Epoxy)</p> <p>799832 Kit, Porcelain Repair (White)</p> <p>503695 Cork Sealer (1/4 Pound)</p>	<p>*350942 Primer, White (12 Oz. Spray Can)</p> <p>*350939 Enamel, Black (12 Oz. Spray Can)</p> <p>*350930 Enamel, White (12 Oz. Spray Can)</p> <p>*4392901 Enamel, Biscuit (12 Oz. Spray Can)</p> <p>72017 Brush Touch-Up Kit (White)</p> <p>72032 Brush Touch-Up Kit (Black)</p> <p>4392899 Brush Touch-Up Kit (Biscuit)</p> <p>Refinishing Material</p> <p>799340 Enamel, Black (1 Qt. Uncut)</p> <p>799344 Enamel, White (1 Qt. Uncut)</p> <p>4392900 Enamel, Biscuit (1 Qt. Uncut)</p> <p>833938 Kit, Terminal Connector</p> <p>*Important: The spray paint is not to be used where the paint may make contact with the door gaskets.</p>	<p>2155469 ECKMF94</p> <p>TORX SCREW WRENCH</p> <p>1117510 Torx Key</p>