

User Manual

D7 Expansion Module

for 7xx phones with USB port

TABLE OF CONTENTS

Copyright, Trademarks, Legal Disclaimers	3
Important information	4
Safety instructions	4
Standards conformance	4
SELV (Safety Extra Low Voltage) compliance	4
Product specifications	5
Disposal of the device	5
Cleaning	5
Setting up the expansion module	6
Delivery Content	6
Attaching the footstand	6
Connecting the snom D7 to the snom phone	7
Connecting one expansion module	7
Connecting two expansion modules	8
Connecting three expansion modules	9
Connecting a wireless headset	10
One module connected to phone	10
Two or three modules connected to phone	11
Getting to Know Your Expansion Module	12
Display Layout	12
Function key content	13
Function key LEDs	14
Configuring the Function Keys	15
Display-Layouts	16
Function key settings	16
Settings on web interface	16
Settings on the phone	17
Fkey numbering when connected to 76x phones	18
Fkey numbering when connected to 72x phones	18
Fkey numbering when connected to 71x phones with USB port	18
XML provisioning of settings	19
Function Key Numbering System	20

Copyright, Trademarks, Legal Disclaimers

© 2014 snom technology Aktiengesellschaft

All Rights Reserved.

snom, the names of snom products, and snom logos are trademarks owned by snom technology AG. All other product names and names of enterprises are the property of their respective owners.

Product specifications are subject to change without notice.

snom technology AG reserves the right to revise and change this document at any time, without being obliged to announce such revisions or changes beforehand or after the fact.

Texts, images, and illustrations and their arrangement in this document are subject to the protection of copyrights and other legal rights worldwide. Their use, reproduction, and transmittal to third parties without express written permission may result in legal proceedings in the criminal courts as well as civil courts.

When this document is made available on snom's web page, snom technology AG gives its permission to download and print copies of its content for the intended purpose of using it as a manual. No parts of this document may be altered, modified or used for commercial purposes without the express written consent of snom technology AG.

Although due care has been taken in the compilation and presentation of the information in this document, the data upon which it is based may have changed in the meantime. snom therefore disclaims all warranties and liability for the accurateness, completeness, and currentness of the information published, except in the case of intention or gross negligence on the part of snom or where liability arises due to binding legal provisions.

Important information


Please read the instructions on safety and disposal and on how to set up and use the device before using it and also give them to other users to read or inform those users of their contents. Save this manual and do not give the device to third parties without it.


Safety instructions

Follow the instructions in this manual and other applicable documentation of the device.

- For use with snom 7xx phones with USB ports only. Do not connect the device to a PC or to other phones!
- If the device is not supplied with power via the USB cable, use only a power adapter expressly recommended by snom technology. Other power supplies may damage or destroy the device, affect its behavior, or induce noise.
- Avoid placing the cables where people may trip over them or where they may be exposed to mechanical pressure as this may damage them.
- This device is for indoor use only! NOT FOR OUTDOOR USE!
- Do not install the device in rooms with high humidity (for example, in bathrooms, laundry rooms, damp basements). Do not immerse the device in water and do not spill or pour liquids of any kind onto or into the device.
- Do not install the device in surroundings at risk for explosions (paint shops, for example). Do not use the device if you smell gas or other potentially explosive fumes.
- Do not use the device during thunderstorms. Lightning striking the power grid may cause electric shocks.

Standards conformance

 This device complies with the essential health, safety, and environmental requirements of all relevant European directives. The declaration of conformity can be requested from snom (address see reverse cover).

 This phone is FCC Class B certified and meets US health, safety, and environmental standards.

Unauthorized opening, changing, or modifying the device will cause the warranty to lapse and may also result in the lapse of the CE and FCC certifications. In case of malfunction contact authorized service personnel, your seller, or snom.

SELV (Safety Extra Low Voltage) compliance

Safety status of Input/Output connections comply with SELV requirements.

Product specifications

- **Safety:** IEC 60950-1:2007
- **Connectors:** 1 attached USB 2.0 cable with USB standard type A plug;
1 USB port, type A, USB 2.0; 1 x 5V DC jack
- **Power:** Via attached USB cable; if more than one module is attached to one phone, the separately available power adapter PSAC10R-050 (snom PN 00002730) is needed.

Disposal of the device



This device is subject to European Directive 2002/96/EC and may not be disposed of with general household garbage.



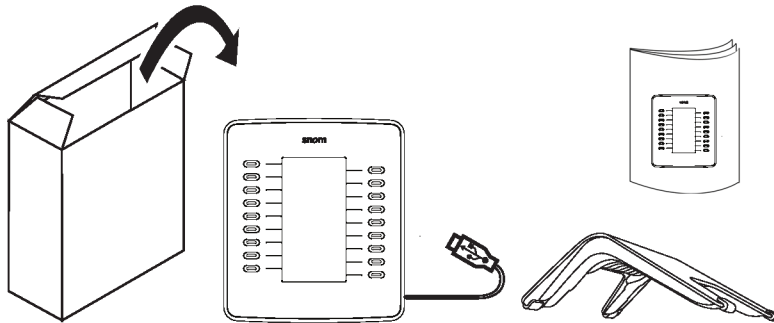
If you do not know where you may dispose of the device at the end of its lifespan, contact your municipality, your local waste management provider, or your seller.

Cleaning

To clean the device, use an anti-static cloth. Please avoid cleaning liquids as they might damage the surface or internal electronics of the device.

Setting up the expansion module

Delivery Content



- Base unit with attached USB cable with type A plug
- Footstand
- Quick Installation Guide

Attaching the footstand

The footstand can be attached at two different angles: 28° and 46°.

1. Place the top of the grooves on the footstand (Fig. 1) below the slideguides on the back of the device (Fig. 2). For the upright position, the short "legs" of the footstand must be attached to the device; for the more horizontal position, use the long ones.
2. Push the footstand upwards onto the slideguides until they lock in place (Fig. 3).

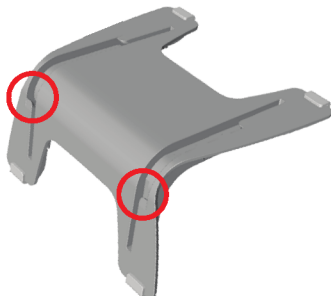


Fig./Abb. 1

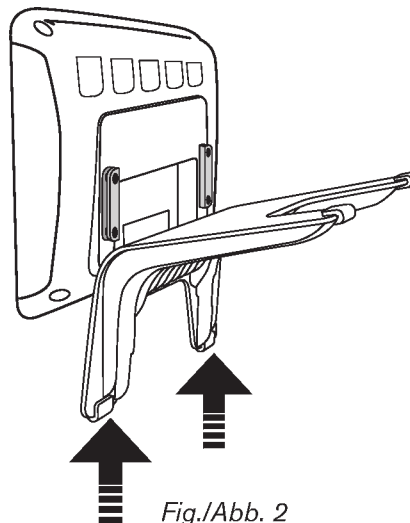


Fig./Abb. 2

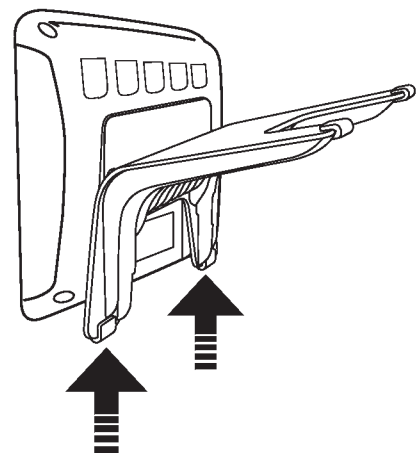


Fig./Abb. 3

3. Place the device on an even, horizontal surface.

Connecting the snom D7 to the snom phone

You can connect one, two, or three snom D7s to one phone of the snom 7xx series with a USB port. The first expansion module is supplied with power by the phone via the module's USB cable. The second module requires the separately available power adapter PSAC10R-050, snom PN 00002730. The third expansion module is supplied with power by the second module via the third module's USB cable.

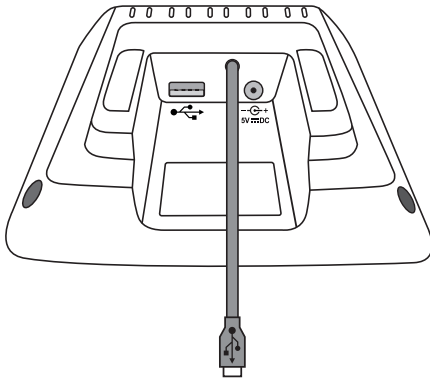


Fig. 4

Connecting one expansion module

1. Insert the USB plug attached to the cable of the snom D7 into the USB port on the snom phone. If the phone has two USB ports, either one of them can be used (Fig. 5 and Fig. 6).

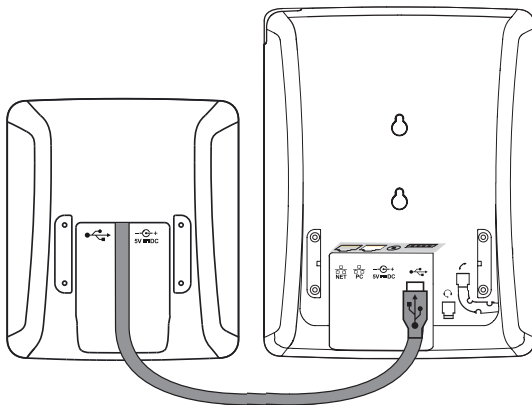


Fig. 5

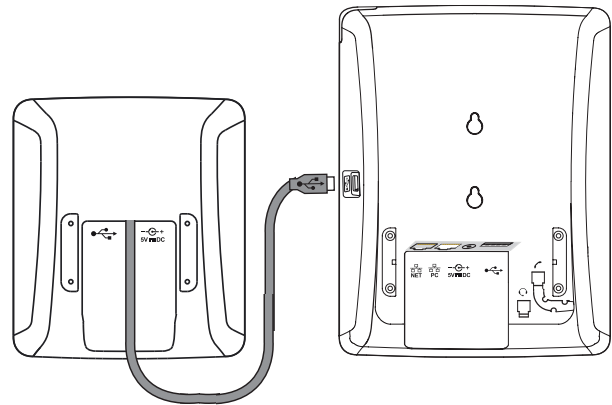


Fig. 6

2. The LEDs on the expansion module will light up briefly, then turn off, indicating that the function keys are now ready for use.

Connecting two expansion modules

Very important when two expansion modules are connected to the phone:

- **The modules must be daisy-chained, as shown in Fig. 7.** If they are not, the phone will not be able to find and identify the function keys, and you will not be able to use them. **Do not use a USB hub** or, if the phone has more than one USB port, **do not** connect expansion modules to more than one port (Fig. 8).
- The separately available power adapter PSAC10R-050 (snom PN 00002730) must be attached to the **second** module in the chain, as shown in Fig. 7.

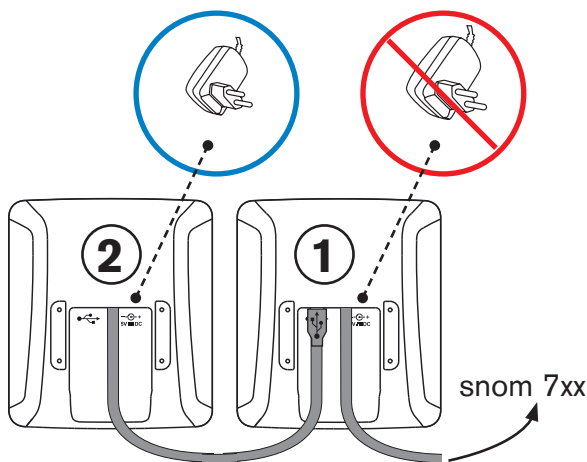


Fig. 7

1. Connect the expansion modules to each other, as shown in Fig. 7.
2. Attach the power supply to the second module, as shown in Fig. 7.
3. Connect the power supply to the wall outlet.
4. Connect the first expansion module to the phone, as shown in Fig. 5 or 6.
5. The LEDs on the expansion modules will light up briefly, then turn off, indicating that the modules are now ready for use.

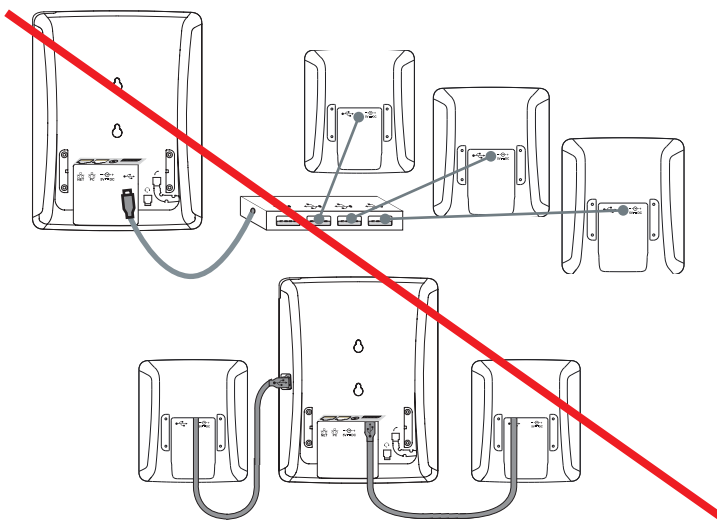


Fig. 8

Connecting three expansion modules

Very important when three expansion modules are connected to the phone:

- **The modules must be daisy-chained, as shown in Fig. 9.** If they are not, the phone will not be able to find and identify the function keys, and you will not be able to use them. **Do not use a USB hub** or, if the phone has more than one USB port, **do not** connect expansion modules to more than one port (Fig. 8).
- The separately available power adapter PSAC10R-050 (snom PN 00002730) must be attached to the **second** module in the chain, as shown in Fig. 9.

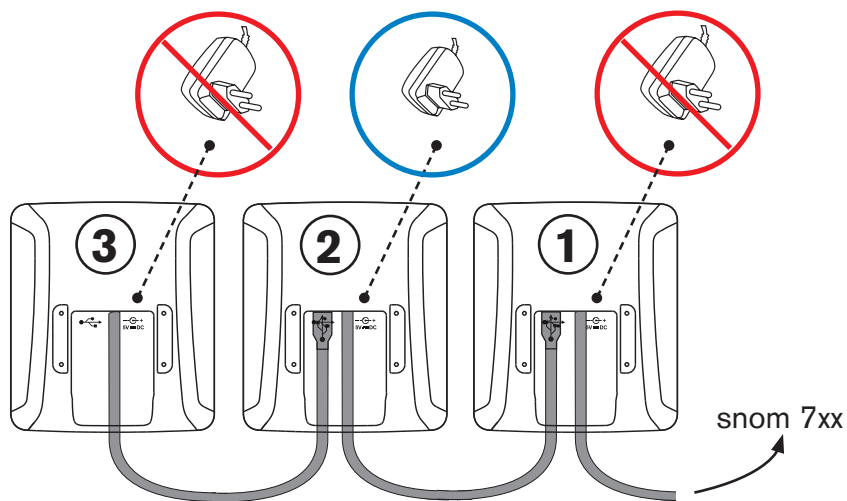


Fig. 9

1. Connect the expansion modules to each other, as shown in Fig. 9.
2. Attach the power supply to the second module, as shown in Fig. 9.
3. Connect the power supply to the wall outlet.
4. Connect the first expansion module to the phone, as shown in Fig. 5 or 6.
5. The LEDs on the expansion modules will light up briefly, then turn off, indicating that the modules are now ready for use.

Connecting a wireless headset

On phones with a single USB port, the USB port on the expansion module or the free USB port on the last module in the daisy-chain, respectively, can be used to connect wireless headsets via their USB adapter.

One module connected to phone

- Phone with single USB port. The USB adapter of the headset is inserted into the free USB port on the expansion module (Fig. 10 or 11, respectively).

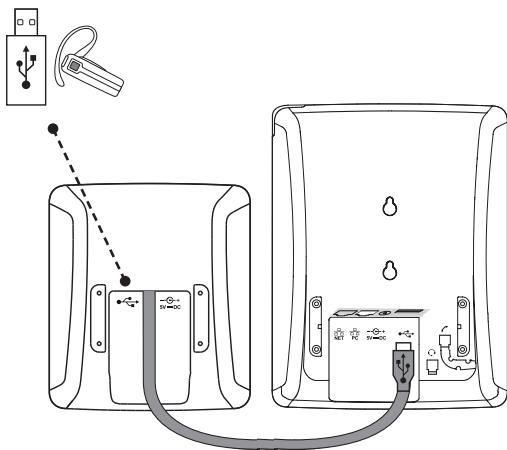


Fig. 10

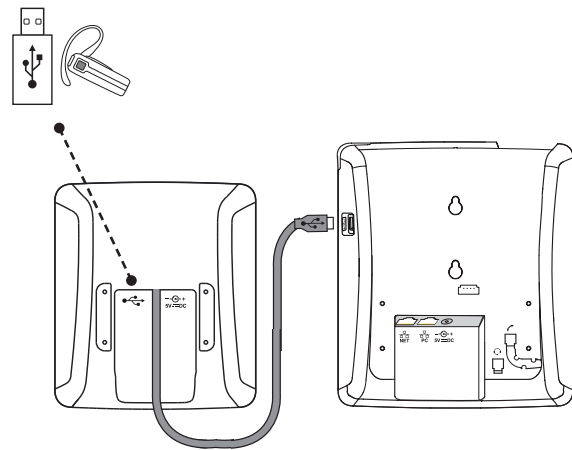


Fig. 11

- If the snom phone has two USB ports, the USB adapter of the USB headset can be inserted into the USB port on the expansion module **or** into the free USB port on the phone (Fig. 12 or 13, respectively).

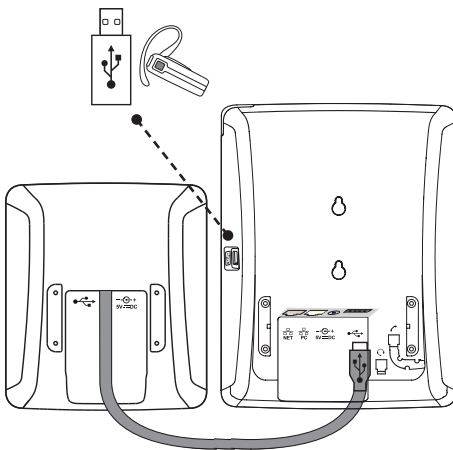


Fig. 12

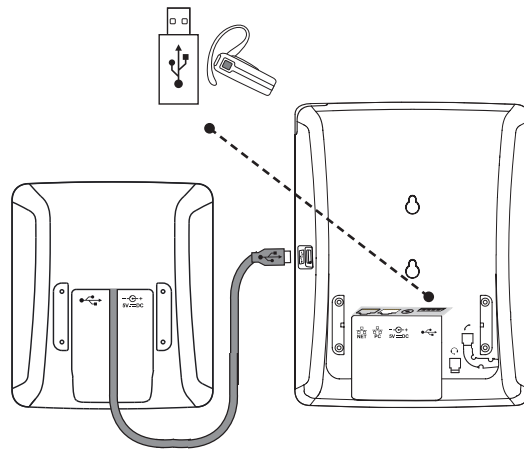


Fig. 13

Two or three modules connected to phone

- Phone with single USB port. The USB adapter of the headset is inserted into the free USB port of the last expansion module in the daisy-chain (Fig. 14 and 15).

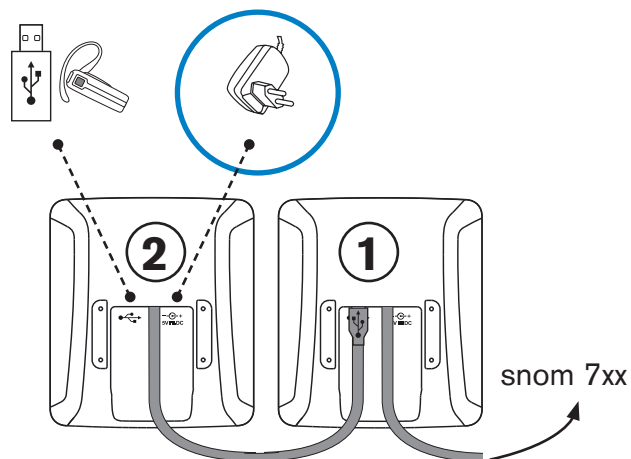


Fig. 14

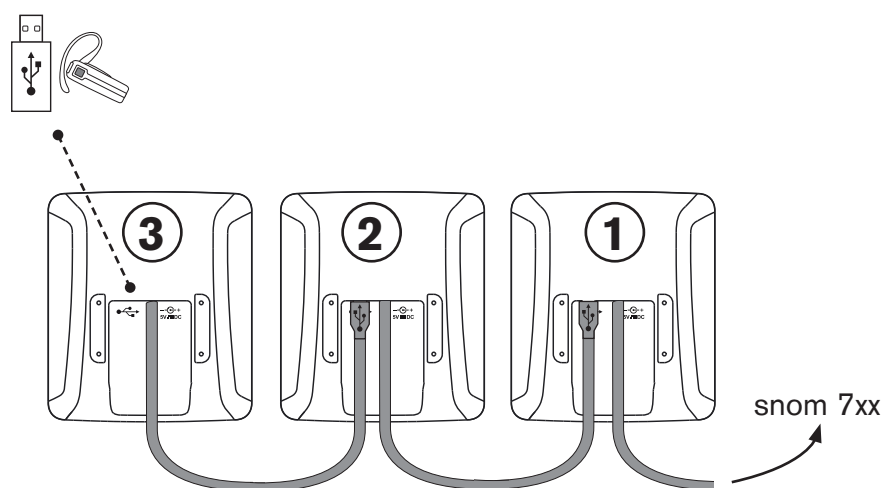


Fig. 15

- If the snom phone has two USB ports, the USB adapter of the USB headset can be inserted into the free USB port on the last module in the daisy-chain **or** into the free USB port on the phone (Fig. 12 or 13, respectively).

Getting to Know Your Expansion Module

The function keys on the expansion module(s) are configured and work like function keys with LEDs on the phone itself. The settings are stored on the phone and will remain stored there when the expansion module is disconnected; if the expansion module is replaced by another module, the settings will be used by that module. For more information on the available functions and on how to program and use the keys, please refer to the phone's manual, chapter "Programming the Function Keys". You can download the manual at <http://wiki.snom.com>.

Display Layout

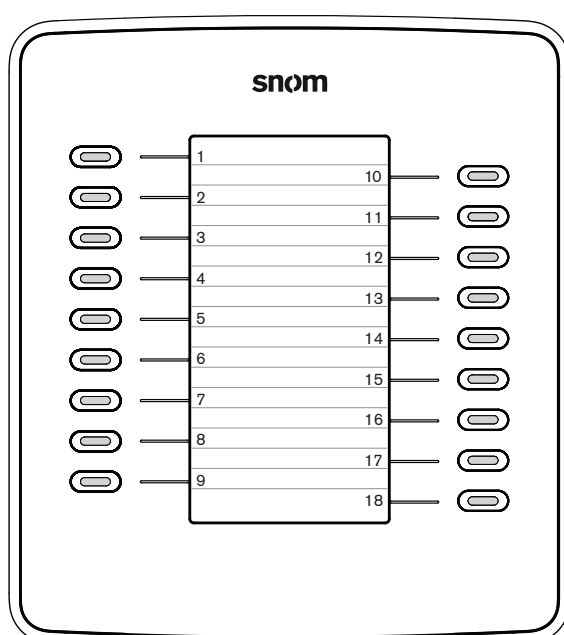


Fig. 16

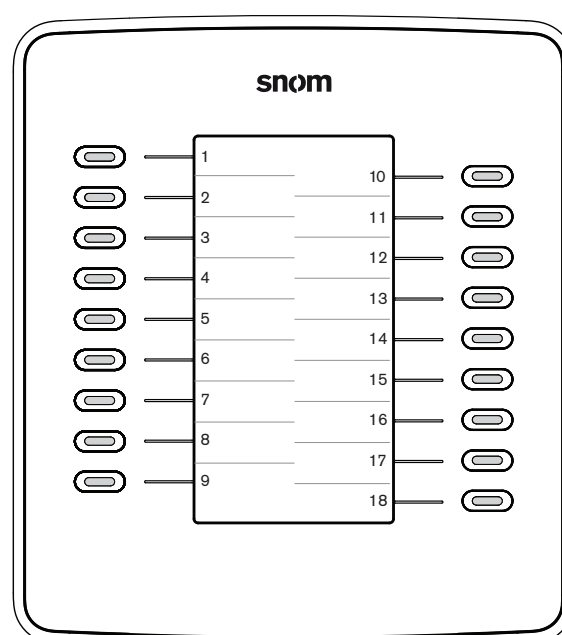


Fig. 17

Function keys 1 to 9 are situated on the left, 10 to 18 on the right side of the display. A portion of the display area is allocated to each key, either arranged in lines, as shown in Fig. 16, or in tiles (Fig. 17). The default setting is lines.

Changing the setting:

1. Open the **Settings** menu of the phone that the module is connected to.
2. Press "1" to open the **Preferences** menu.
3. Press "5" to open the **Display** menu.
4. Press "3" to open **Expansion Modules**.
5. Press "1" to open **Appearance**.
6. Press "1", "2", or "3" to change the display layout of the respective expansion module.
 - For example, if the display layout for module 1 is indicated as "lines" (Fig. 18 and 19), pressing "1" will change and save the display layout for module 1 as "tiles" (Fig. 20 and 21).

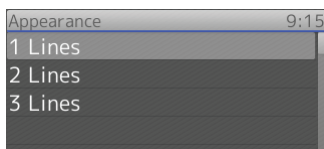


Fig. 18

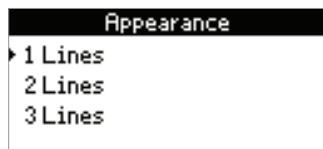


Fig. 19

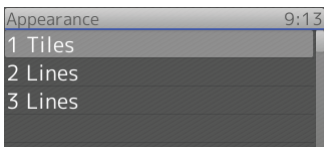


Fig. 20

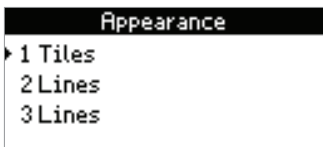


Fig. 21

- Alternative method: Use the navigation key to select the expansion module and press ✓ to change it and save the change simultaneously.

7. Press X for 3 seconds to return to the idle screen.

Function key content

When the key is idle, its allocated area will show the content entered in the text field of "Short Text" on the "Function Keys" page of the phone's web interface (or on the phone itself in Settings > 1 Preferences > 6 Fkeys > selected key > Short Text).

Context	Type	Number	Short Text
Active	Line	1234567890	
Active	Line	1234567890	Joe Miller
Active	Line	123@example.com	
Active	Line	123@example.com	Mary Smith

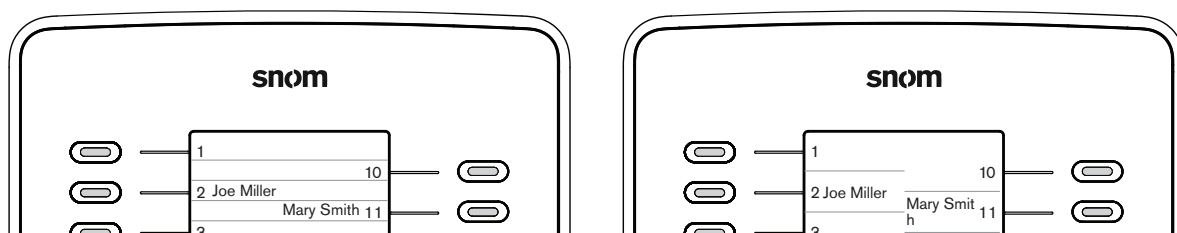


Fig. 22

Depending on the function mapped onto the key, its allocated display area will show the context information when the key event occurs or when the key is pressed; it will revert to the idle content when the key event has ended or when the key is pressed again.

For more information on the available functions and on how to program and use the keys, please refer to the phone's manual, chapter "Programming the Function Keys".

Function key LEDs

Depending on the function mapped onto the key, the LEDs on the key will light up when the key event occurs or when the key is pressed; they will go out when the key event has ended or when the key is pressed again. Examples:

- Forwarding all calls: When the key is pressed, its LED will light up and remain on until call forwarding is turned off.
- Extension monitoring: When the monitored extension is busy, the LED will remain on until the extension is not busy anymore.
- Presence status (with UC edition firmware): The LED will signal the availability status of the contact the same way a Presence key on the connected phone will. For more information, please refer to the snom UC edition User Guide for the phone.

For more information on the available functions and on how to program and use the keys, please refer to the phone's manual, chapter "Programming the Function Keys".

Configuring the Function Keys

The function keys on the expansion module are configured and work like function keys with LEDs on the phone itself. The settings are stored on the phone and will remain stored there when the expansion module is disconnected; if the expansion module is replaced by another module, the settings will be used by that module. For more information on the available functions and on how to program and use the keys, please refer to the phone's manual, chapter "Programming the Function Keys". You can download the manual at <http://wiki.snom.com>.

Function Keys

VERSION 8

Operation

- Home
- Directory

Setup

- Preferences
- Speed Dial
- Function Keys
- Identity 1
- Identity 2
- Identity 3
- Identity 4
- Identity 5
- Identity 6
- Identity 7
- Identity 8
- Identity 9
- Identity 10
- Identity 11
- Identity 12
- Action URL Settings
- Advanced
- Certificates
- Software Update

Status

- System Information
- Log
- SIP Trace
- DNS Cache
- Subscriptions
- PCAP Trace
- Memory
- Settings

Manual

snom

VoIP phones

© 2000-2014 snom AG

Key Settings:

On this page you can specify the settings for programmable keys on your snom phone. Use **Context** to specify the identity context for that key e.g. this identity will be used to subscribe for a particular extension. **Type** will select the actual functionality of a particular key. In the last argument field **Number**, the actual telephone number, sip url, dtmf sequence, action url or key type can be stored. Please refer to your phone manual for more details.

Context	Type	Number	Short Text	
158@ser.berlin.snom.c	Extension	sip:123@example.com;use	Heidi	P1
158@ser.berlin.snom.c	Extension	sip:124@example.com;use	Lisa	P2
Active	Line			P3
158@ser.berlin.snom.c	Line	sip:125@example.com;use	Andy	P4
Active	Xml Definition	<general type="ResourceU		P5
Active	Line			P6
Active	Line			P7
Active	Line			P8
Active	Line			P9
Active	Line			P10
Active	Line			P11
Active	Line			P12
Active	Line			P13
Active	Line			P14
Active	Line			P15
Active	Line			P16

Expansion Module 1 line layout

158@ser.berlin.snom.c	Extension	sip:123@example.com;use	Mary Smith	1
Active	Speed Dial	123@example.com	Mary Smith	10
158@ser.berlin.snom.c	Extension	sip:124@example.com;use	Eric Martin Longfellow	2
Active	Speed Dial	124@example.com	Eric Martin Longfellow	11
158@ser.berlin.snom.c	Extension	sip:125@example.com;use	Fritz Schneider (office)	3
Active	Speed Dial	9175550421	Fritz Schneider (home)	12
Active	Line			4
Active	Line			13
Active	Line			5
Active	Line			14
Active	Line			6
Active	Line			15
Active	Line			7
Active	Line			16
Active	Line			8
Active	Multicast Page	239.255.255.230:5555	Announcements all	17
Active	Multicast Page	239.255.255.231:5555	Announcements 1st floor	9
Active	Multicast Page	239.255.255.232:5555	Announcements 2nd floor	18

Prev. Outgoing ID

Redial

Accepted Calls

Missed Calls

None

Next Outgoing ID

Type	Number	
Key Event	Retrieve	Retrieve
Key Event	DND	DND
Key Event	Directory	Directory
Key Event	Menu	Menu
Key Event	Transfer	Transfer
Key Event	Hold	Hold

Apply

Fig. 23 - snom phone with one connected expansion module

Display-Layouts

Two layout types are available, line and tile. You can set the layout type on the function key page of the connected phone's web interface or on the phone itself.

Setting on web interface

1. Open the connected phone's web interface.
2. Click on **Function Keys** in the menu on the left side (see Fig. 23, above).
3. Select line or tile layout from the drop-down menu of the expansion module (see Fig. 24 and 25, below).
4. Click on **Apply** at the bottom of the page.

Setting on the phone

See "Display Layout" on page 12.

Function key settings

You can configure the function key settings on the function key page of the connected phone's web interface or on the phone itself.

Settings on web interface

When a module is connected to the phone, its function keys are displayed on the function key page of the phone's web interface. If there is more than one module, the first module in the daisy chain is listed as expansion module 1 on the function key page, the second module in the chain is listed as expansion module 2, and the third module in the chain as expansion module 3.

The settings stored on the phone will not be erased or deleted when the expansion module is removed. You will no longer see them on the function keys page of the phone, but they will be available for use with any other expansion module you connect to the phone. If you want to delete them, you can only do so while the expansion module is attached. For example, if you wish to delete the stored settings for a third expansion module, but you only have two expansion modules connected to the phone, you must temporarily connect a third module until you have deleted the settings on the phone's Function Keys page.

1. Open the connected phone's web interface.
2. Click on **Function Keys** in the menu on the left side (see Fig. 23, above).
3. After selecting **Context** and **Type** and entering the number or other value for the key you want to configure, enter the **Short Text** for the key label on the expansion module's display.

For more information on the available functions and on how to program and use the keys, please refer to the connected phone's manual, chapter "Programming the Function Keys". You can download the manual at <http://wiki.snom.com>.

4. Click on **Apply** at the bottom of the page.

Expansion Module 1 line layout					
158@ser.berlin.snom.c	Extension	sip:123@example.com;use	Mary Smith	1	Mary Smith
Active	Speed Dial	123@example.com	Mary Smith	10	Mary Smith
158@ser.berlin.snom.c	Extension	sip:124@example.com;use	Eric Martin Longfellow	2	Eric Martin Longfellow
Active	Speed Dial	124@example.com	Eric Martin Longfellow	11	Eric Martin Longfellow
158@ser.berlin.snom.c	Extension	sip:125@example.com;use	Fritz Schneider (office)	3	Fritz Schneider (office)
Active	Speed Dial	9175550421	Fritz Schneider (home)	12	Fritz Schneider (home)
Active	Line			4	
Active	Line			13	
Active	Line			5	
Active	Line			14	
Active	Line			6	
Active	Line			15	
Active	Line			7	
Active	Line			16	
Active	Line			8	
Active	Multicast Page	239.255.255.230:5555	Announcements all	17	Announcements all
Active	Multicast Page	239.255.255.231:5555	Announcements 1st floor	9	Announcements 1st flo...
Active	Multicast Page	239.255.255.232:5555	Announcements 2nd floor	18	Announcements 2nd fl...

Fig. 24

Expansion Module 1 tile layout					
158@ser.berlin.snom.c	Extension	sip:123@example.com;use	Mary Smith	1	Mary Smith
Active	Speed Dial	123@example.com	Mary Smith	10	Mary Smith
158@ser.berlin.snom.c	Extension	sip:124@example.com;use	Eric Martin Longfellow	2	Eric Martin Longfellow
Active	Speed Dial	124@example.com	Eric Martin Longfellow	11	Eric Martin Longfellow
158@ser.berlin.snom.c	Extension	sip:125@example.com;use	Fritz Schneider (office)	3	Fritz Schneider...
Active	Speed Dial	9175550421	Fritz Schneider (home)	12	Fritz Schneider...
Active	Line			4	
Active	Line			13	
Active	Line			5	
Active	Line			14	
Active	Line			6	
Active	Line			15	
Active	Line			7	
Active	Line			16	
Active	Line			8	
Active	Multicast Page	239.255.255.230:5555	Announcements all	17	Announcements all
Active	Multicast Page	239.255.255.231:5555	Announcements 1st floor	9	Announcements 1st?f...
Active	Multicast Page	239.255.255.232:5555	Announcements 2nd floor	18	Announcements 2nd?...

Fig. 25

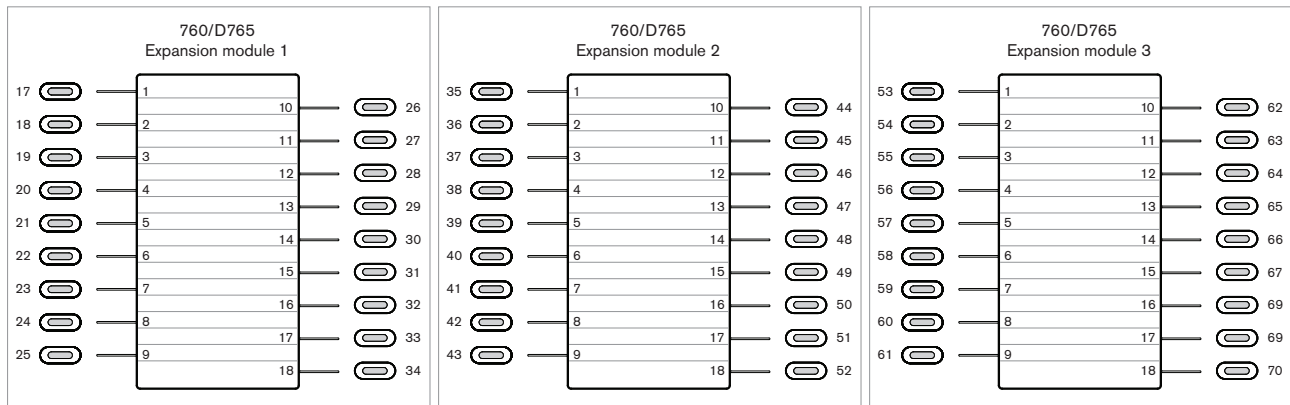
Settings on the phone

When an expansion module is connected to the phone, its freely programmable function keys are shown in the **Fkeys** submenu of the **Preferences** menu. The function keys on the phone and on the expansion modules are numbered consecutively. If the connected phone has 16 freely programmable function keys, for example, the keys on the first expansion module in the daisy chain are numbers 17 - 34, the keys on the second module are numbers 35 - 52, and the keys on the third module are numbers 53 - 70.

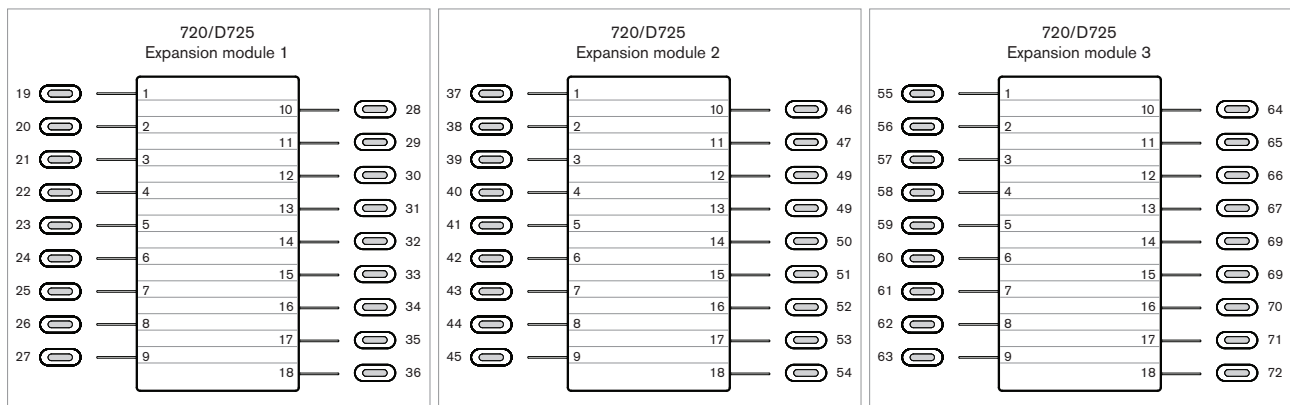
1. Open the **Settings** menu of the phone that the module is connected to.
2. Press "1" to open the **Preferences** menu.
3. Press "6" to open the **Fkeys** menu.

4. Press the number of the key on the keypad. If you want to configure the setting for the top left key on the first expansion module of a snom 760, for example, enter "17" on the keypad.
5. Select the **Function for key 20**.
6. If you have selected **Extension**, for example, you will first be prompted to enter the number of the extension. Enter the number and press ✓.
7. You will then be prompted to enter a **Short Text** which is the label that will be shown on the display of the expansion module". Enter the text and press ✓ to save the setting and return to the **Fkeys** menu.

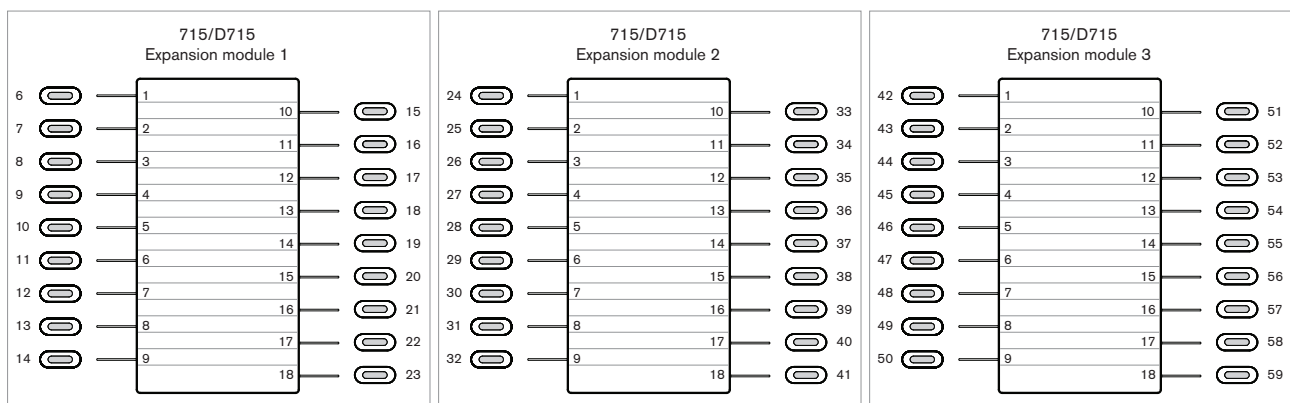
Fkey numbering when connected to 76x phones



Fkey numbering when connected to 72x phones



Fkey numbering when connected to 71x phones with USB port



XML provisioning of settings

The XML tags of the function keys are an exception from the general rules for XML mass provisioning of settings for snom phones because the tag for each key specifies the exact settings for that particular key. The format is as follows:

```
<fkey idx="n" context="identity" label="name" perm="">argument</fkey>
```

- Parameter **fkey idx**. The unique identifier of the function key when connected to a particular phone model.
 - NOTE:** The **fkey idx** of a particular key depends on the number of function keys on the phone, the number of expansion modules connected to the phone, and the position of the module in the daisy chain. For your convenience, we have prepared a table of the numbering system; please see "Function Key Numbering System" on page 20.
- Parameter **context**. This setting specifies the identity (account) that can use the key.
 - Active: All identities (accounts) registered on the phone
 - Number: (Identity) 2 to 12, depending on the type of phone
- Parameter **label**. The label (name, etc.) to be shown on the expansion module's display
- Parameter **perm**. Valid values are:
 - perm="!": The settings of the key can be changed by mass provisioning, but only if the end user has not made changes to the configuration on the phone itself or on its web interface.
 - perm="&", perm="R", perm=" ": The settings of the key are Read Only and cannot be changed by the end user.
 - perm="\$", perm="RW", perm="": The settings of the key can be changed by mass provisioning; any end user configurations will be overwritten on reboot.
- **Argument**.
 - The default is line. Example:

```
<fkey idx="19" context="active" label="line" perm="">line</fkey>
```
 - Examples for other functions:
 - NOTE:** These settings depend on the requirements of the PBX.
 - Extension:

```
<fkey idx="19" context="1" label="Mary" perm="">dest sip:123@example.com;user=phone</fkey>
```
 - Speed dial:

```
<fkey idx="20" context="1" label="Mary/cell" perm="">speed 9175550240</fkey>
```
 - Multicast:

```
<fkey idx="21" context="1" label="Announcements 2nd floor" perm="">multicast 239.255.255.232:5555</fkey>
```
 - Intercom:

```
<fkey idx="22" context="1" label="Intercom Mary" perm="">icom sip:123@example.com;user=phone</fkey>
```
 - Forwarding all incoming calls:

```
<fkey idx="23" context="1" label="Fwd all to Mary" perm="">redirect sip:123@example.com;user=phone</fkey>
```
 - Transferring call:

```
<fkey idx="24" context="1" label="Transfer" perm="">transfer</fkey>
```

Function Key Numbering System

PUI: Phone user interface (Settings > 1 Preferences > 6 Fkeys)

WUI: Web user interface (phone's web interface > Function Keys page)

fkey idx: XML mass provisioning

Phone	715/D715			720/725/D725			760/765/D765		
	PUI	WUI	fkey idx	PUI	WUI	fkey idx	PUI	WUI	fkey idx
	1	P1	0	1	P1	0	1	P1	0
	2	P2	1	2	P2	1	2	P2	1
	3	P3	2	3	P3	2	3	P3	2
	4	P4	3	4	P4	3	4	P4	3
	5	P5	4	5	P5	4	5	P5	4
				6	P6	5	6	P6	5
				7	P7	6	7	P7	6
				8	P8	7	8	P8	7
				9	P9	8	9	P9	8
				10	P10	9	10	P10	9
				11	P11	10	11	P11	10
				12	P12	11	12	P12	11
				13	P13	12	13	P13	12
				14	P14	13	14	P14	13
				15	P15	14	15	P15	14
				16	P16	15	16	P16	15
				17	P17	16			
				18	P18	17			
Expansion Module 1	6	1	5	19	1	18	17	1	16
	7	2	6	20	2	19	18	2	17
	8	3	7	21	3	20	19	3	18
	9	4	8	22	4	21	20	4	19
	10	5	9	23	5	22	21	5	20
	11	6	10	24	6	23	22	6	21
	12	7	11	25	7	24	23	7	22
	13	8	12	26	8	25	24	8	23
	14	9	13	27	9	26	25	9	24
	15	10	14	28	10	27	26	10	25
	16	11	15	29	11	28	27	11	26
	17	16	30	12	29	28	12	27	
	18	17	31	13	30	29	13	28	
	19	18	32	14	31	30	14	29	
	20	19	33	15	32	31	15	30	
	21	20	34	16	33	32	16	31	
	22	21	35	17	34	33	17	32	
	23	22	36	18	35	34	18	33	

	715/D715			720/725/D725			760/765/D765		
	PUI	WUI	fkey idx	PUI	WUI	fkey idx	PUI	WUI	fkey idx
Expansion Module 2	24	1	23	37	1	36	35	1	34
	25	2	24	38	2	37	36	2	35
	26	3	25	39	3	38	37	3	36
	27	4	26	40	4	39	38	4	37
	28	5	27	41	5	40	39	5	38
	29	6	28	42	6	41	40	6	39
	30	7	29	43	7	42	41	7	40
	21	8	30	44	8	43	42	8	41
	32	9	21	45	9	44	43	9	42
	33	10	32	46	10	45	44	10	43
	34	11	33	47	11	46	45	11	44
	35	12	34	48	12	47	46	12	45
	36	13	35	49	13	48	47	13	46
	37	14	36	50	14	49	48	14	47
	38	15	37	51	15	50	49	15	48
	39	16	38	52	16	51	50	16	49
	40	17	39	53	17	52	51	17	50
	41	18	40	54	18	53	52	18	51
Expansion Module 3	42	1	41	55	1	54	53	1	52
	43	2	42	56	2	55	54	2	53
	44	3	43	57	3	56	55	3	54
	45	4	44	58	4	57	56	4	55
	46	5	45	59	5	58	57	5	56
	47	6	46	60	6	59	58	6	57
	48	7	47	61	7	60	59	7	58
	49	8	48	62	8	61	60	8	59
	50	9	49	63	9	62	61	9	60
	51	10	50	64	10	63	62	10	61
	52	11	51	65	11	64	63	11	62
	53	12	52	66	12	65	64	12	63
	54	13	53	67	13	66	65	13	64
	55	14	54	68	14	67	66	14	65
	56	15	55	69	15	68	67	15	66
	57	16	56	70	16	69	68	16	67
	58	17	57	71	17	70	69	17	68
	59	18	58	72	18	71	70	18	69

snom technology AG
Wittestr. 30 G
13509 Berlin, Deutschland
Tel. +49 30 39 83 3 0
Fax +49 30 39 83 31 11
info@snom.com, sales@snom.com

snom technology, Inc.
18 Commerce Way, Suite 6000
Woburn, MA 01801, USA
Tel. +1 925 415 0170
Fax +1 925 886 2474
infoUSA@snom.com

snom UK Ltd
Amethyst House, Meadowcroft Way
Leigh Business Park, Leigh
Manchester WN7 3XZ, UK
Tel. +44 161 348 7500
Fax +44 169 348 7509
uksales@snom.com

snom France SARL
6 Parc des fontenelles
78870 Bailly, France
Tel. +33 1 80 87 62 87
Fax +33 1 80 87 62 88
snom-fr@snom.com

snom technology SRL
Via A. Lusardi 10
20122 Milano, Italia
Tel. +39 02 00611212
Fax +39 02 93661864
snom-italy@snom.com

snom technology Ltd.
Rm. A2, 3F, No. 37, Ln. 258
Ruiguang Rd., Neihu Dist.
Taipei City 114, Taiwan
Tel. +886 2 8751 1120
Fax +886 2 8751 1130
infoASIA@snom.com

Your specialist retailer - Ihr Fachhändler -
Votre distributeur - Su distribuidor - Il tuo rivenditore:

⌞

⌞

⌞

⌞